

RCI YD30 Application



Expertly crafted

High-quality architectural solutions demand components that are also high quality. YD30 door sets allow a beautiful and functional appearance.

04
Wooden Door sets
Door Types and Hardware Locations

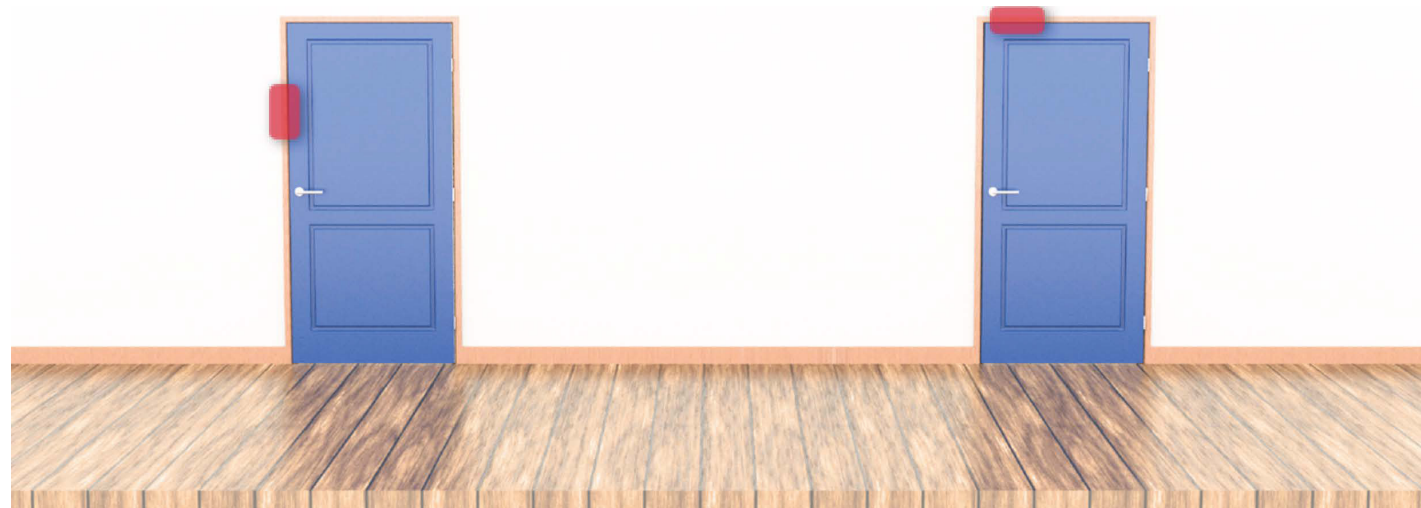
06
Metal Door sets
Door Types and Hardware Locations

08
Glass Door sets
Door Types and Hardware Locations



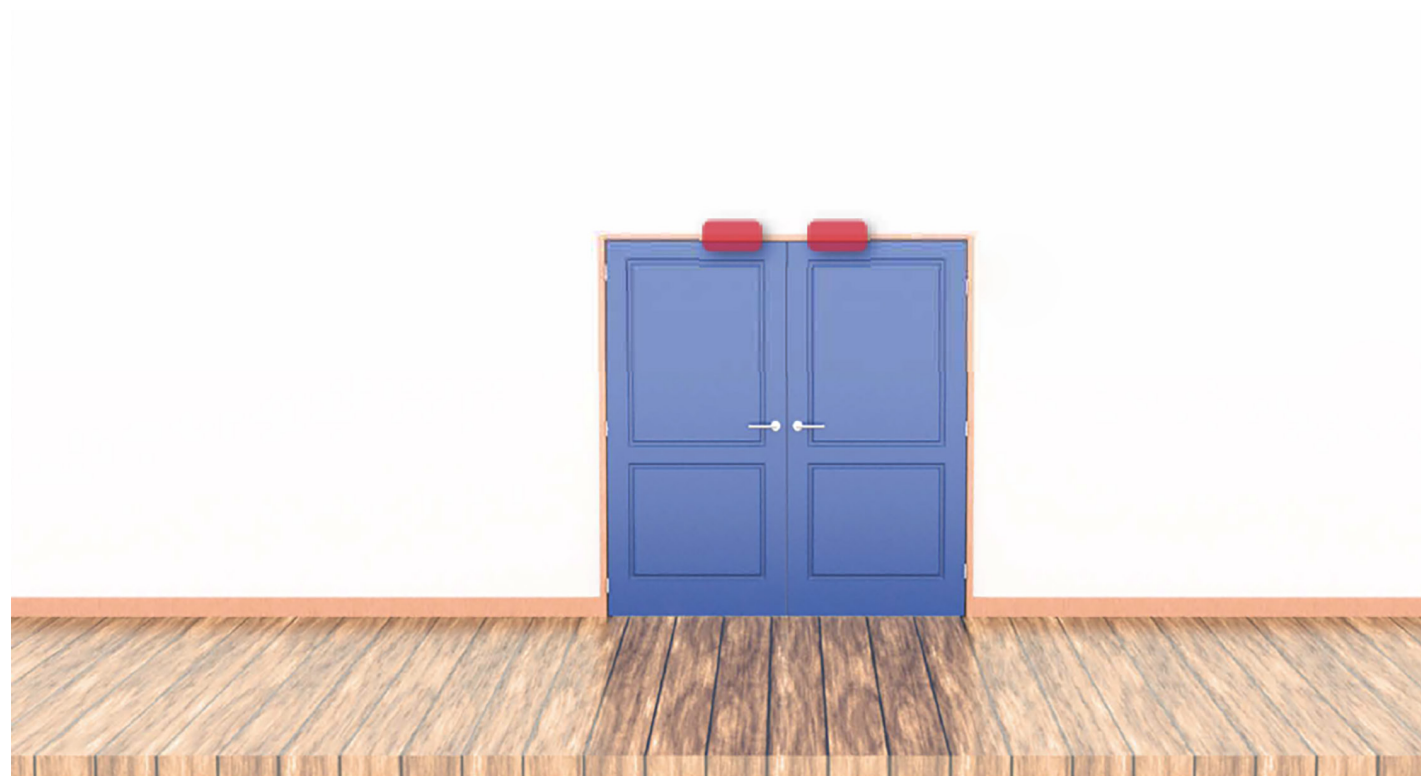
Wooden Door sets

Door Types and Hardware Locations

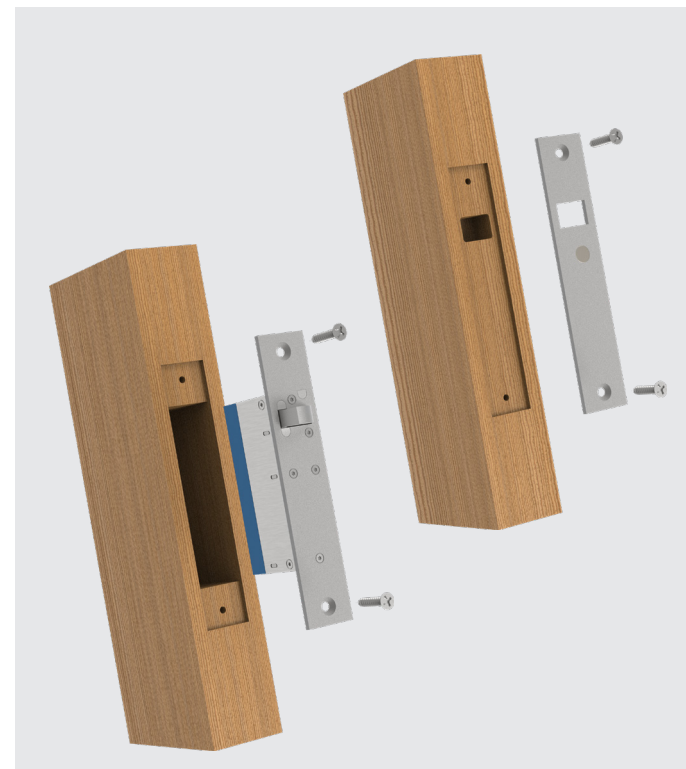


Wooden door set with lock and strike plate mounted into the side of the door set.

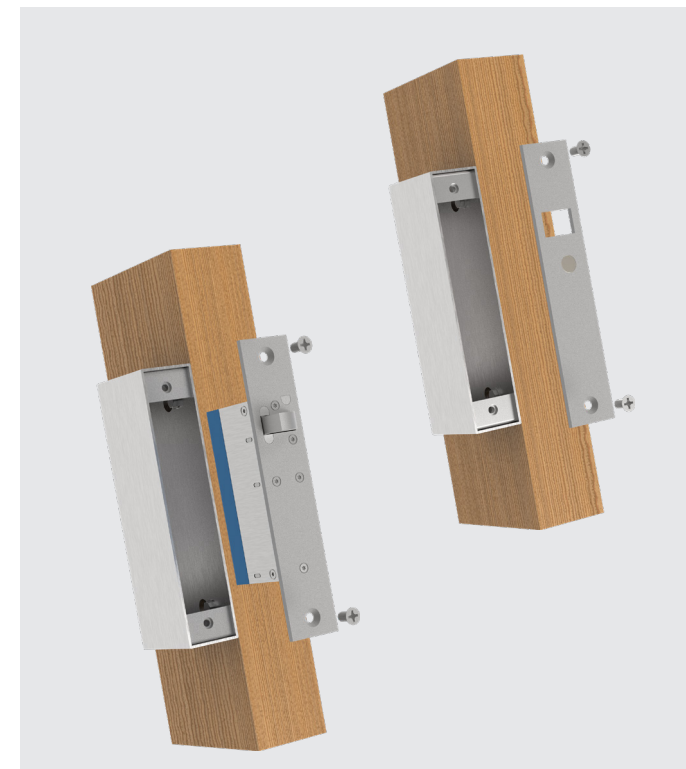
Wooden door set with lock and strike plate mounted into the top of the door set.



Double leaf wooden door set with lock and strike plate mounted into the top of both door sets.



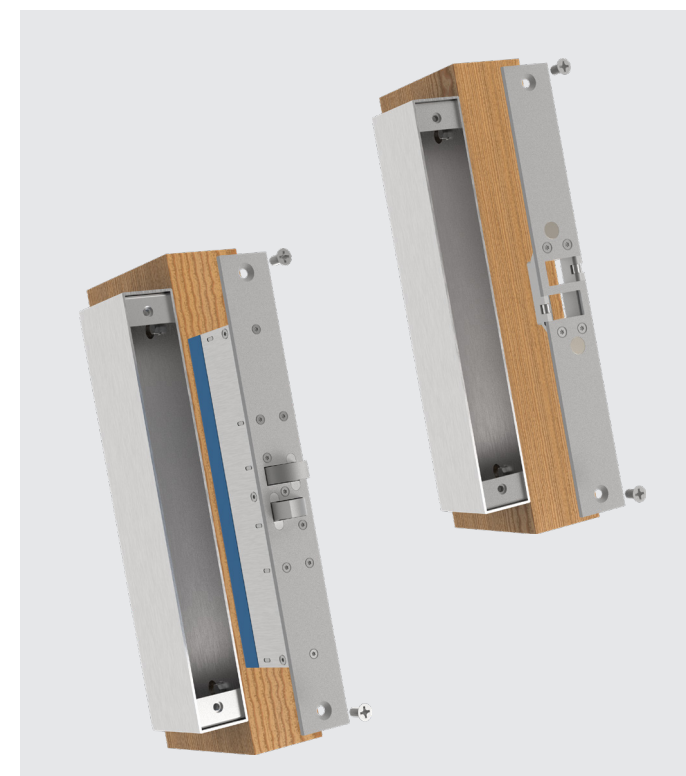
YD30S
If the door set is prone to misalignment such as being offset by a weather seal, or immediate release under side load when requested is required.



An optional housing is also available for the Cobalt Single, for when morticing is not an option.



YD30D
For double acting doors with misalignment issues, or the requirement for immediate release when requested, even under excessive side load.



An optional housing is also available for the Cobalt Double, for when morticing is not an option.

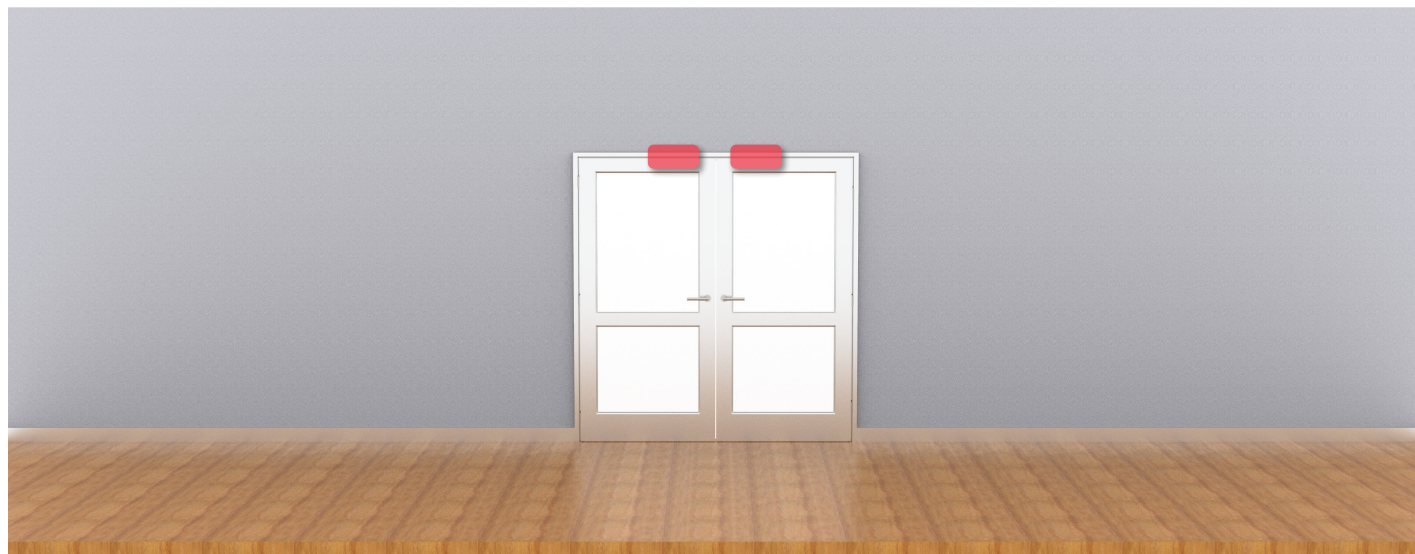
Metal Door sets

Door Types and Hardware Locations

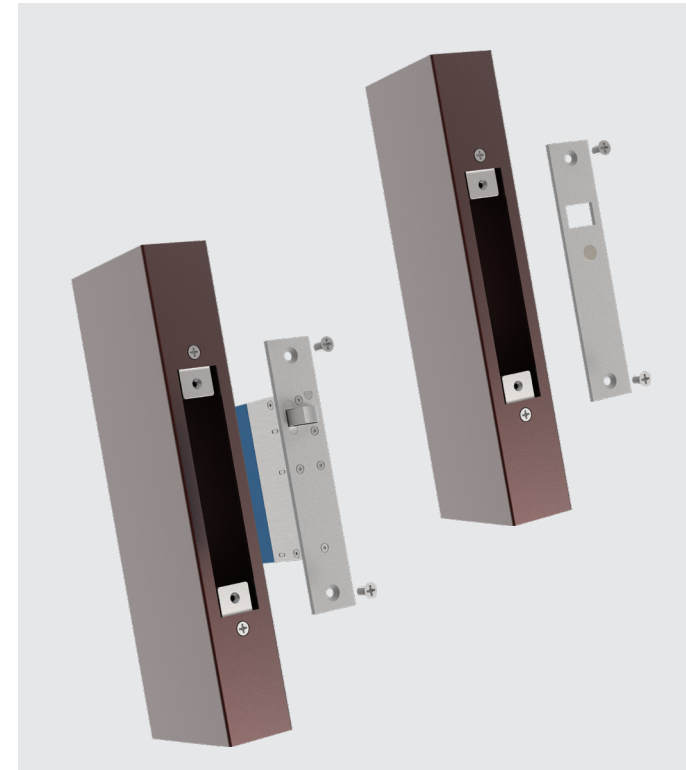


Metal door set with lock and strike plate mounted into the side of the door set.

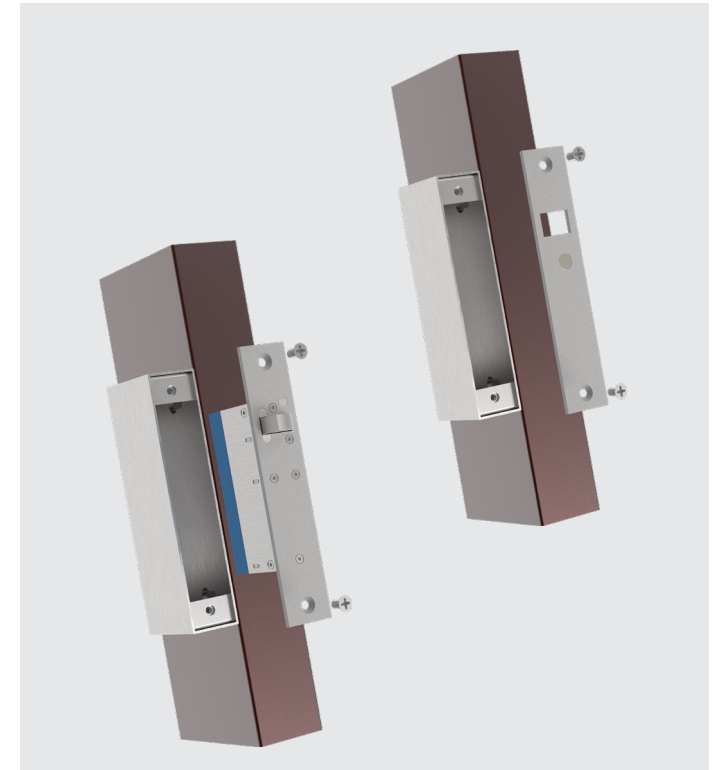
Metal door set with lock and strike plate mounted into the top of the door set.



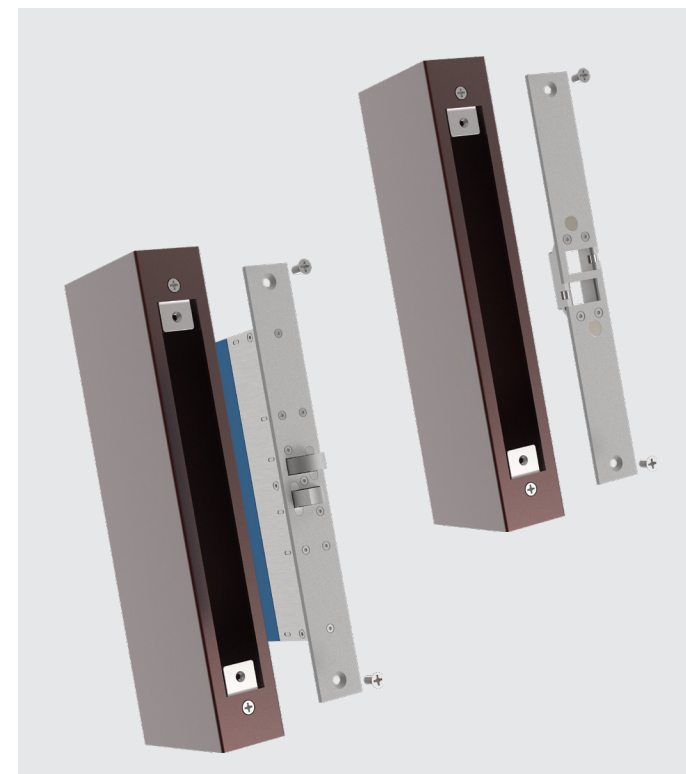
Double leaf metal door set with lock and strike plate mounted into the top of both door sets.



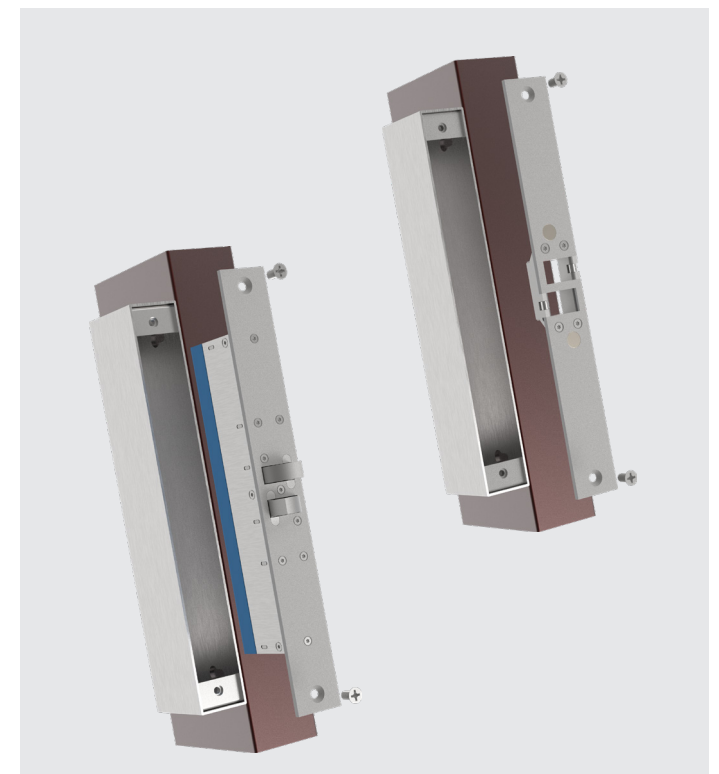
YD30S
If the door set is prone to misalignment such as being offset by a weather seal, or immediate release under side load when requested is required.



An optional housing is also available for the Cobalt Single, for when morticing is not an option.



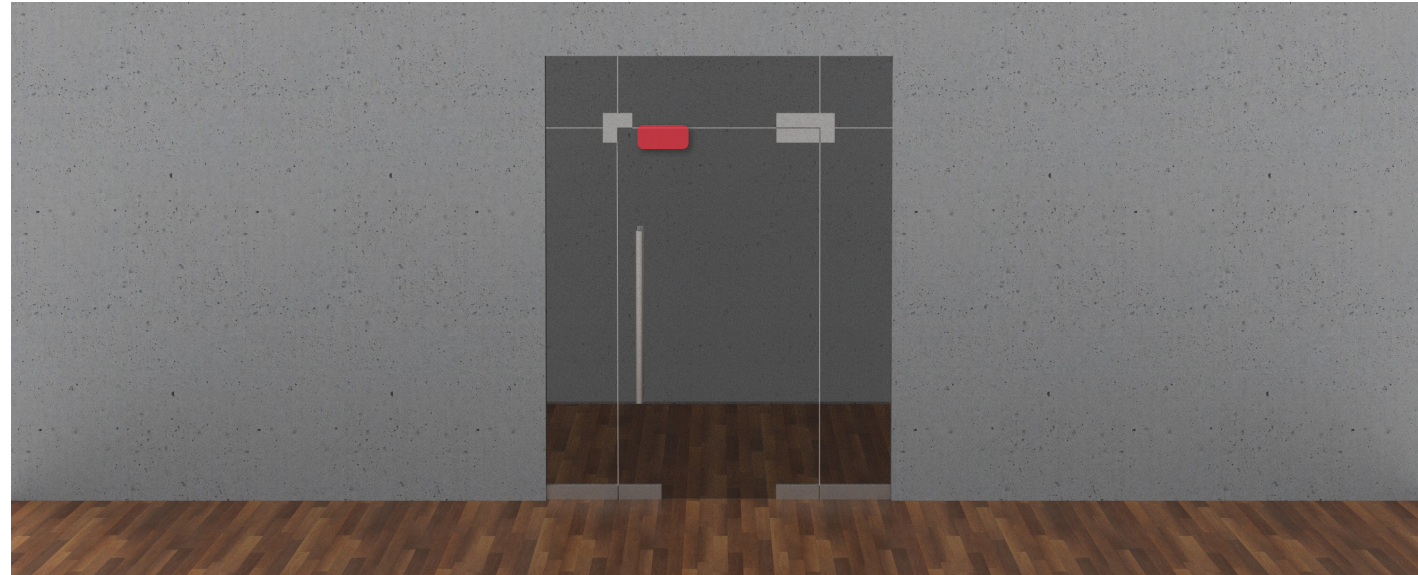
YD30D
For double acting doors with misalignment issues, or the requirement for immediate release when requested, even under excessive side load.



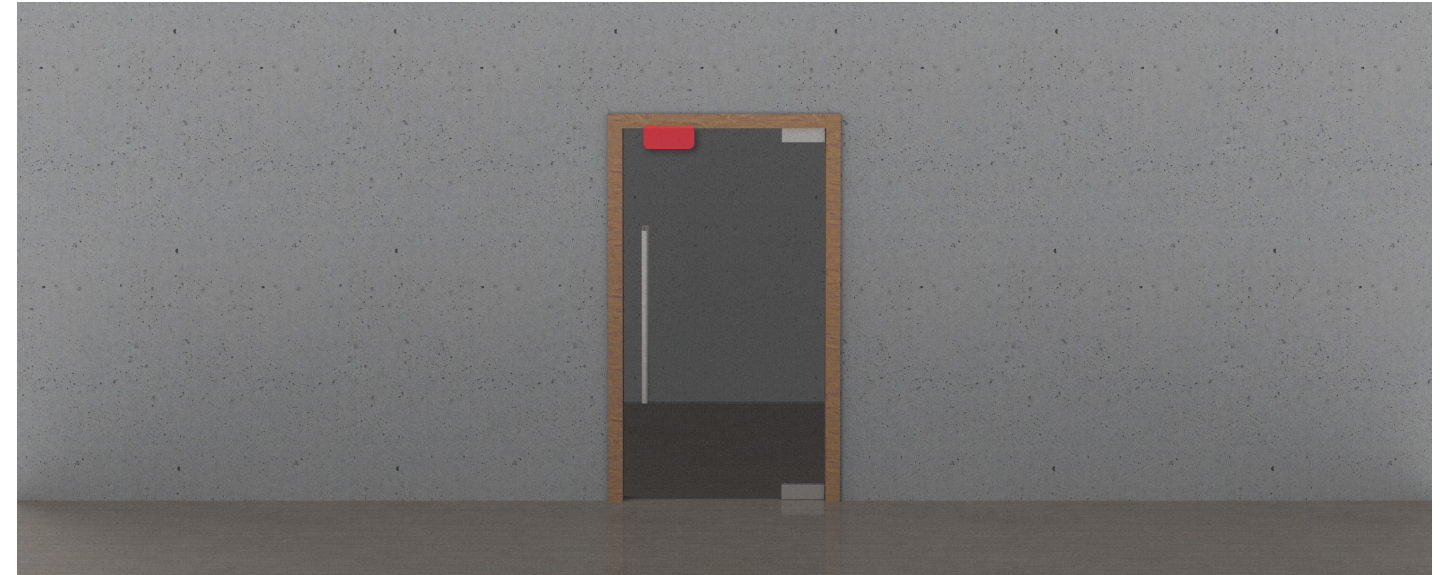
An optional housing is also available for the Cobalt Double, for when morticing is not an option.

Glass Door sets

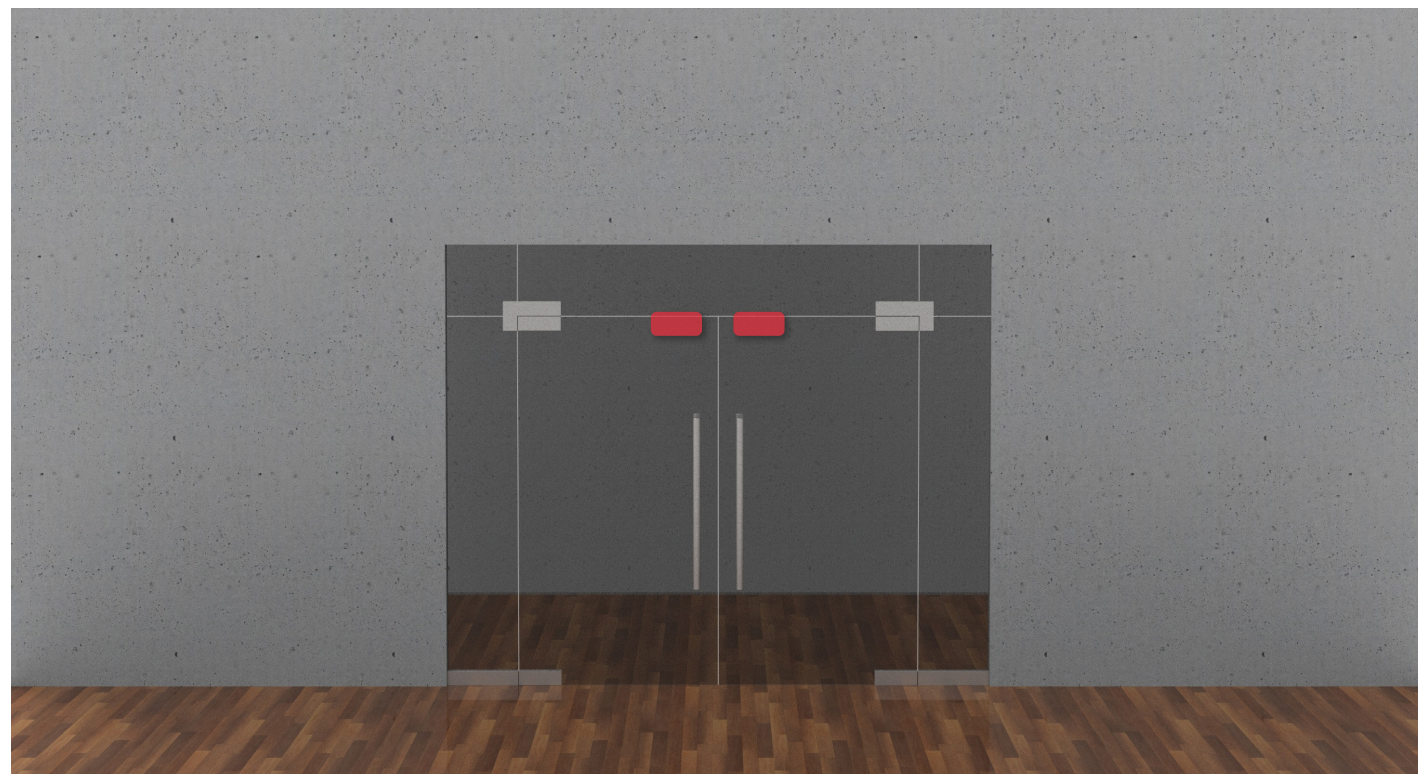
Door Types and Hardware Locations



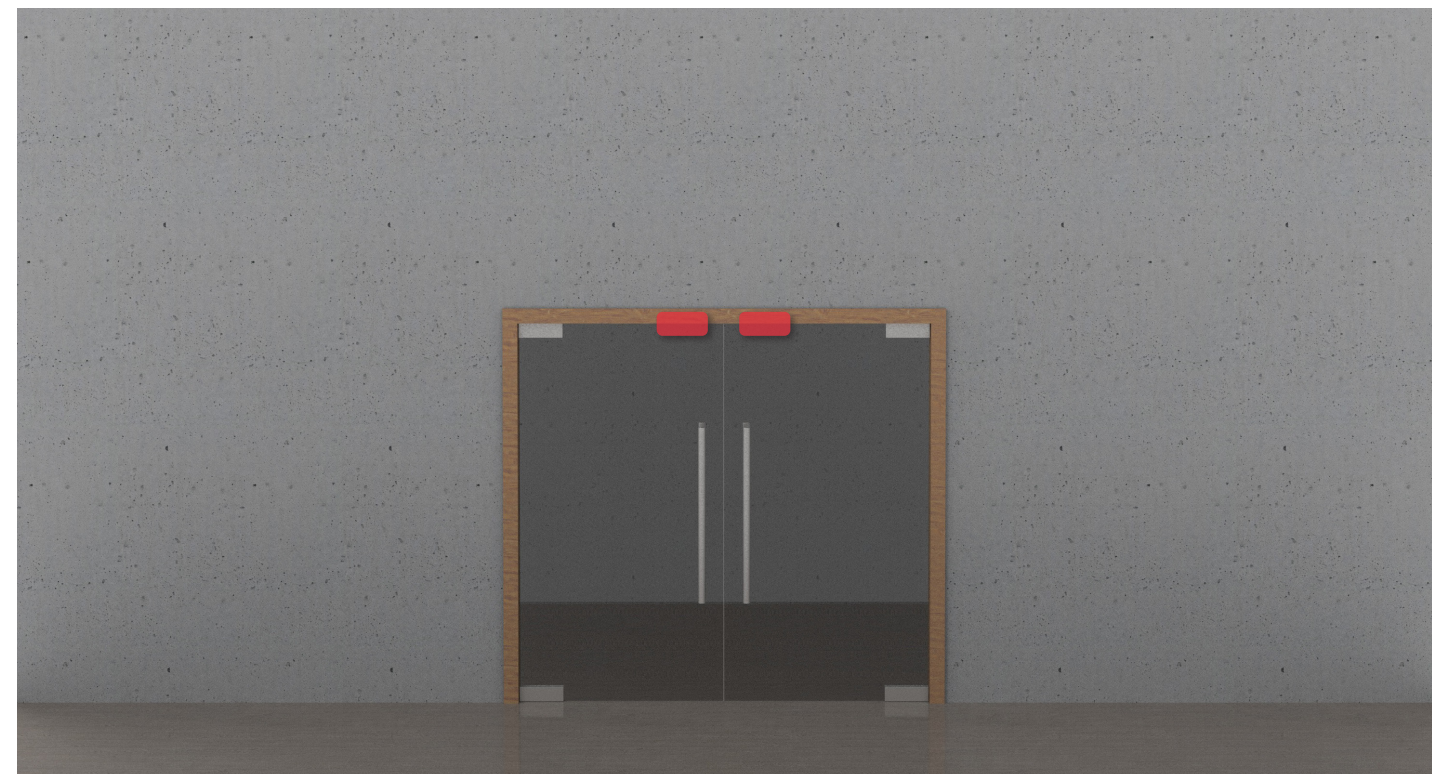
Frameless glass door with lock and strike plate mounted onto the top of the door set.



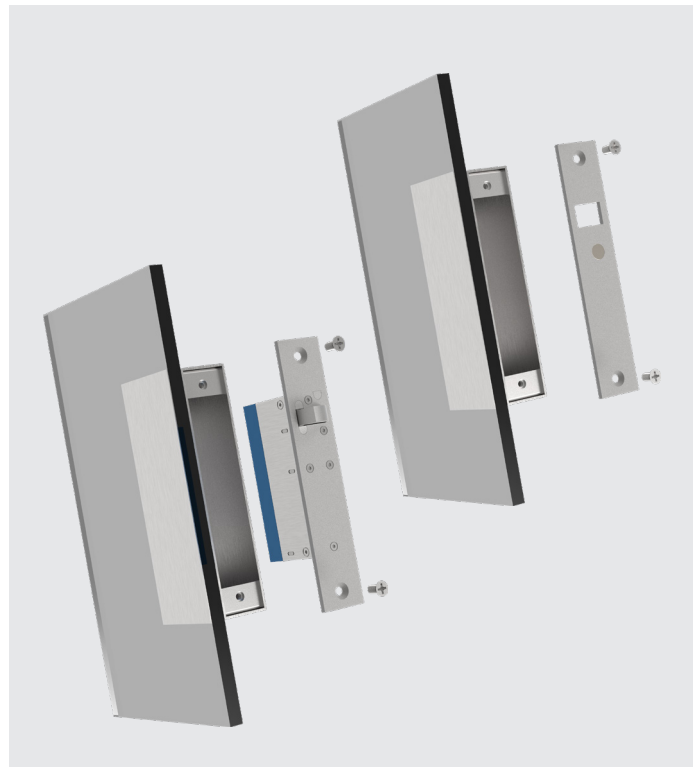
Glass door with lock installed in door frame and strike plate mounted onto the top of the door leaf.



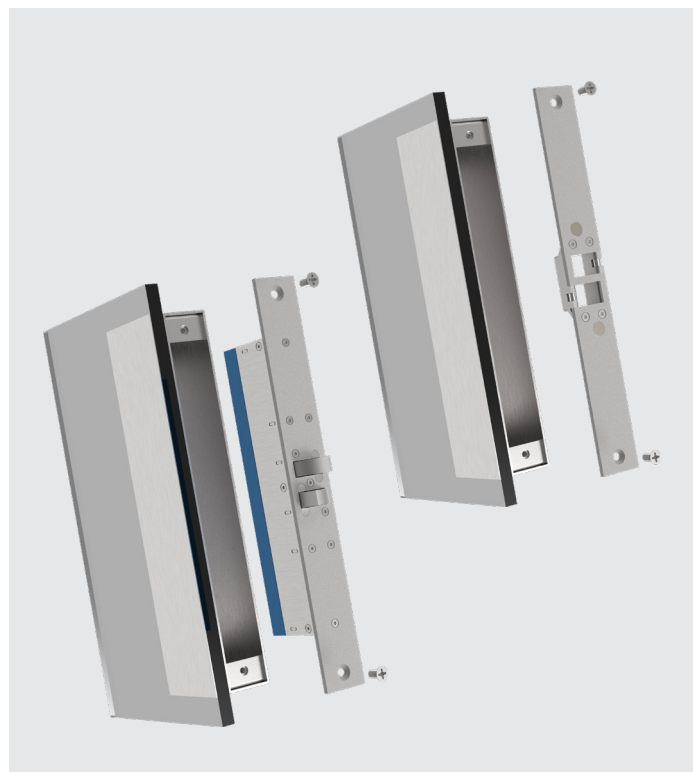
Double leaf frameless glass doors with lock and strike plates mounted to the top of both door sets.



Double leaf glass doors with locks mounted in the door frame and strike plates mounted to the top of both door leaves.



YD30S
If the glass door set is prone to misalignment, or requested release under side load is required, the lock and strike can be installed with the optional housing and dress plate



YD30D
If the double acting glass door set is prone to misalignment, or requested release under side load is required, the optional housing and dress plate can be used.

Two RCI YD30D locks surface mounted onto glass door frame with matching long strike plates surface mounted onto the swing through glass double doors.





Door
Hardware



Electronic
Access & Data



Mechanical
Key Systems



Lodging
Systems



Entrance
Systems



Interior Glass
Systems



Safe
Locks



Service

Our Sustainability Commitment

We are aware of the most urgent global challenges, as well as our customers' increasing demand for more sustainable products for every place that matters. To respond to the needs and expectations of our society and customers, we put sustainability at the core of our vision, which underlines our long-term commitment to shaping a more sustainable industry and future.

