



LOCKING PRODUCTS

TABLE OF CONTENTS

ELECTRIC STRIKES 3

CX-ED1079 Series: 'Universal' Grade 1 ANSI Strikes.....	3
CX-ED2071 & CX-ED2079 Series: 'Universal' Grade 2 ANSI Strikes	4
CX-ED1379 & CX-ED1309: 'Universal' Strikes for Narrow Stile.....	5
CX-ED1410: ANSI Grade 1 Fire Rated Strikes	6
ANSI Strike Faceplates	7
CX-ED1579L: 'All in One' Fire Rated Strikes.....	8
CX-ED1689L & CX-ED1799L 'All in One' Fire Rated Strikes	9
'All in One' Strike Faceplates.....	11
CX-EPD1289L Series: 3/4" 'Universal' RIM Strikes with Preload.....	12
CX-ED1959 Series: Outdoor Strikes	13
Electric Strike Cross Reference Chart.....	14
Lockset Reference Guide	15

MAGNETIC LOCKS 18

CX-90/91 Series: Single Door Magnetic Locks.....	19
CX-92S Series: Double Door Magnetic Locks	20
CX-91S & CX-92S Series: Mounting Accessories	21
CX-94: Gate Lock.....	22
CX-95S-DH: Magnetic Door Holder	22
Magnetic Lock Cross Reference Chart	23
CX-DE1200 Series: Delayed Egress Magnetic Locks	24
CX-DE1200 Delayed Egress Magnetic Locks Comparison Chart	26
CX-EPD0009: Magnetic Cabinet Lock.....	27
CX-ED0010: Electromechanical Cabinet Lock.....	27

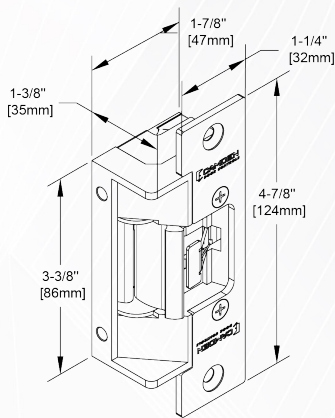
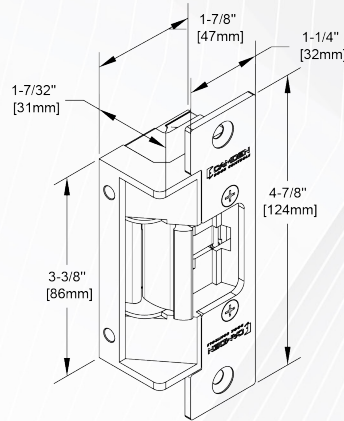
CX-ED1079 SERIES: 'UNIVERSAL' GRADE 1 ANSI ELECTRIC STRIKES



CX-ED1079



CX-ED1079DL



FEATURES

- CX-ED1079, low profile, 1/2" to 5/8" latch projection (throw)
- CX-ED1079DL, standard depth, 5/8" to 3/4" latch projection (throw)
- Horizontal adjustability of strike body
- 3 stainless steel faceplates included: ANSI square, hollow metal and wood door frame

SPECIFICATIONS

Voltage:	12/24V AC/DC	
Current Draw:	260mA @ 12V AC/DC 150mA @ 24V AC/DC	
Static Strength:	1,500 Lbs	Dynamic Strength: 70 Ft-lbs
Mode:	Selectable Fail Safe/Fail Secure	
Endurance:	1,000,000 Cycles (Factory Tested) 250,000 Cycles (UL Verified)	
Operation:	AC - Buzz DC - Silent	
Duty:	Continuous	Latch Monitor: SDPT, 100mA @ 24VDC

STRIKES

CX-ED1079	Low Profile Grade 1 'Universal' electric strike, 12/24V AC/DC, fail safe/fail secure operation, horizontal adjustment, and 3 stainless steel faceplates (CX-ESP1B, CX-ESP3B & CX-ESP4B)
CX-ED1079L	As above, with latch monitoring
CX-ED1079D	Standard Depth Grade 1 'Universal' electric strike, 12/24V AC/DC, fail safe/fail secure operation, horizontal adjustment, and 3 stainless steel faceplates (CX-ESP1B, CX-ESP3B & CX-ESP4B)
CX-ED1079DL	As above, with latch monitoring

FACEPLATES (See page 7 for dimensions)

INCLUDED IN PACKAGE

CX-ESP1B	ANSI Square, stainless steel
CX-ESP3B	Hollow Metal Door, stainless steel
CX-ESP4B	Wood Door, stainless steel

OPTIONAL FACEPLATES

CX-ESP2B	ANSI Round, stainless steel
CX-ESP1B-BK	ANSI Square, black finish (BHMA 622, US19)
CX-ESP2B-BK	ANSI Round, black finish (BHMA 622, US19)
CX-ESP3B-BK	Hollow Metal Door, black finish (BHMA 622, US19)
CX-ESP4B-BK	Wood Door, black finish (BHMA 622, US19)

ACCESSORIES

LIP EXTENSION BRACKETS

CX-ED-LIP1	1" Lip extension for ANSI strikes (stackable)
CX-ED-LIP2	2" Lip extension for ANSI strikes

CUTTING JIGS (FOR 1/4" COLLET AND A 1/8" ROUTER BIT)

CX-JIG1	For CX-ED1079 (L) Strike, ANSI Round faceplates (CX-ESP2B)
CX-JIG2	For CX-ED1079 (L) Strike, Hollow metal door faceplates (CX-ESP3B)
CX-JIG3	For CX-ED1079D (L) Strike, ANSI Round faceplates (CX-ESP2B)
CX-JIG4	For CX-ED1079D (L) Strike, Hollow metal door faceplates (CX-ESP3B)
CX-JIG5	For CX-ED1079 & CX-ED1079D (L) Strikes, ANSI & Hollow metal door faceplates

MARKING TEMPLATE

CX-STR-TMPKIT	Electric Strike Marking Template Kit (See page 10 for details)
----------------------	--



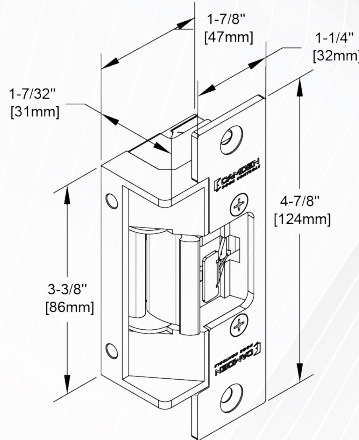
CX-ED-LIP1

CX-JIG1



CX-ED2071 / CX-ED2079:

'UNIVERSAL' GRADE 2 ANSI ELECTRIC STRIKES



FEATURES

- Grade 2 ANSI Strikes
- 1/2" to 5/8" latch projection
- Selectable fail safe / fail secure operation
- Horizontal adjustability of strike body
- 3 stainless steel faceplates included: ANSI square, hollow metal and wood door frame

SPECIFICATIONS

Voltage:	CX-ED2071: 8 - 16V, AC/DC CX-ED2079: 12/24V, AC/DC
Current Draw:	CX-ED2071: 305mA @ 8VDC, 625mA @ 16VDC 190mA @ 8VAC, 460mA @ 16VAC CX-ED2079: 300mA @ 12V AC/DC, 150mA @ 24V AC/DC
Static Strength:	1000 lbs
Dynamic Strength:	50 Ft-lbs
Mode:	Selectable Fail Safe/Fail Secure
Endurance:	CX-ED2071 & CX-ED2079: 700,000 Cycles (Factory Tested) CX-ED2079: 250,000 Cycles (UL Verified)
Operation:	AC - Buzz DC - Silent
Duty:	CX-ED2071: Intermittent CX-ED2079: Continuous
Mounting:	Non-Handed

STRIKES

CX-ED2071	'Universal' electric strike, 8 - 16V AC/DC, fail safe/fail secure operation, horizontal adjustment, w/ 3 stainless steel faceplates (CX-ESP1B, ESP3B & ESP4B)
CX-ED2079*	'Universal' electric strike, 12/24V AC/DC, fail safe/fail secure operation, horizontal adjustment, w/ 3 stainless steel faceplates (CX-ESP1B, ESP3B & ESP4B)
CX-ED2079-1*	'Universal' electric strike, 12/24V AC/DC, fail safe/fail secure operation, horizontal adjustment, w/ 1 stainless steel faceplate (CX-ESP1B)

FACEPLATES (See page 7 for dimensions)

INCLUDED IN PACKAGE

CX-ESP1B	ANSI Square, stainless steel
CX-ESP3B	Hollow Metal Door, stainless steel
CX-ESP4B	Wood Door, stainless steel

OPTIONAL FACEPLATES

CX-ESP2B	ANSI Round, stainless steel
CX-ESP1B-BK	ANSI Square, black finish (BHMA 622, US19)
CX-ESP2B-BK	ANSI Round, black finish (BHMA 622, US19)
CX-ESP3B-BK	Hollow Metal Door, black finish (BHMA 622, US19)
CX-ESP4B-BK	Wood Door, black finish (BHMA 622, US19)

ACCESSORIES

LIP EXTENSION BRACKETS

CX-ED-LIP1	1" Lip extension for ANSI strikes (stackable)
CX-ED-LIP2	2" Lip extension for ANSI strikes

CUTTING JIGS (FOR 1/4" COLLET AND A 1/8" ROUTER BIT)

CX-JIG1	For CX-ED2071 / 2079 Strike, ANSI Round faceplate (CX-ESP2B)
CX-JIG2	For CX-ED2071 / 2079 Strike, Hollow metal door faceplates (CX-ESP3B)

MARKING TEMPLATE

CX-STR-TMPKIT	Electric Strike Marking Template Kit (See page 10 for details)
----------------------	--



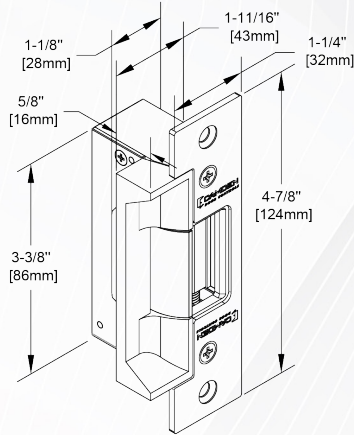
CX-ED-LIP1

CX-JIG1



CX-ED1379 / CX-ED1309:

'UNIVERSAL' GRADE 1 STRIKES FOR NARROW STILE ALUMINUM FRAME



FEATURES

- For cylindrical locksets and spring latches
- Selectable fail safe/fail secure
- Selectable 12/24V AC/DC
- 1/2" to 5/8" latch projection
- Easy fit connectors
- A range of aluminum and dark bronze face plates

SPECIFICATIONS

Voltage:	12/24V AC/DC
Current Draw:	260mA @ 12V AC/DC 150mA @ 24V AC/DC
Static Strength:	1,500 lbs
Dynamic Strength:	70 Ft-lbs
Mode:	Fail Safe/Fail Secure Field Selectable
Operation:	AC - Buzz DC - Silent
Endurance:	1,000,000 Cycles (Factory Tested) 250,000 Cycles (UL Verified)
Duty:	Continuous (DC)
Faceplates:	CX-ED1379: Brushed Aluminum (BHMA 628) Dark Bronze (BHMA 710)

STRIKES

CX-ED1379	Grade 1 'Universal' Electric Strike, 12/24V AC/DC, fail safe/fail secure operation, includes: (1) CX-ESF-2 ANSI Round Faceplate - Brushed Aluminum finish (1) CX-ESF-2BZ ANSI Round Faceplate - Dark Bronze finish
CX-ED1309	Grade 1 'Universal' Electric Strike Body, 12/24V AC/DC, fail safe/fail secure operation. Faceplates sold separately.

FACEPLATES (See page 7 for dimensions)

BRUSHED ALUMINUM FINISH (BHMA 628) - FOR CX-ED1309

CX-ESF-1	ANSI Square Faceplate
CX-ESF-2	ANSI Round Faceplate
CX-ESF-2BR	Radius ANSI Round Faceplate
CX-ESF-3	Hollow Metal Faceplate
CX-ESF-3BR	Radius Hollow Metal Faceplate
CX-ESF-4	Wood Frame Faceplate

DARK BRONZE FINISH (BHMA 710) - FOR CX-ED1309

CX-ESF-1BZ	ANSI Square Faceplate
CX-ESF-2BZ	ANSI Round Faceplate
CX-ESF-2BR-BZ	Radius ANSI Round Faceplate
CX-ESF-3BZ	Hollow Metal Faceplate
CX-ESF-3BR-BZ	Radius Hollow Metal Faceplate
CX-ESF-4BZ	Wood Frame Faceplate

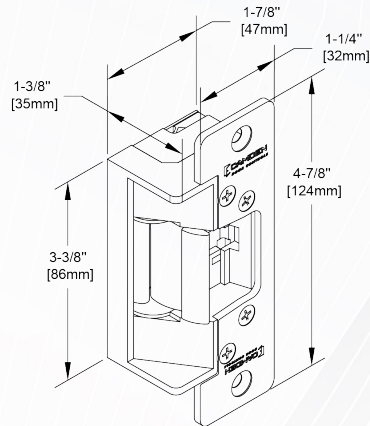
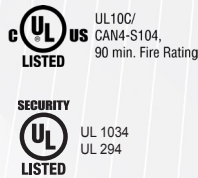
MARKING TEMPLATE

CX-STR-TMPKIT	Electric Strike Marking Template Kit (See page 10 for details)
----------------------	--



CX-ED1410 SERIES:

ANSI GRADE 1 FIRE RATED ELECTRIC STRIKE



FEATURES

- 5/8" to 3/4" latch projection
- Selectable fail safe / fail secure (fire rating voided in fail safe mode)
- Continuous duty operation
- Non-handed
- 5 year warranty

SPECIFICATIONS

Voltage:	12/24V AC/DC
Current Draw:	260mA @ 12V AC/DC 150mA @ 24V AC/DC
Static Strength:	1,500 Lbs
Dynamic Strength:	70 Ft-lbs
Mode:	Field Selectable, Fail Safe/Fail Secure (Fire Rated in Fail Secure Mode Only)
Operation:	AC - Buzz DC - Silent
Endurance:	1,500,000 Cycles (Factory Tested) 250,000 Cycles (UL Verified)
Duty:	Continuous
Latch Projection:	5/8" - 3/4" (16mm - 19mm)
Fire Rating:	90 Minutes (UL Verified)

STRIKES

CX-ED1410	Grade 1 ANSI fire-rated electric strike 12/24V AC/DC, fail safe/fail secure operation
CX-ED1410-BK	As above, with all-black finish faceplate (BHMA 622, US19)

ACCESSORIES

CUTTING JIGS (FOR 1/4" COLLET AND A 1/8" ROUTER BIT)

CX-JIG3 For CX-ED1410 Strike

MARKING TEMPLATE

CX-STR-TMPKIT Electric Strike Marking Template Kit
(See page 10 for details)



CX-JIG3



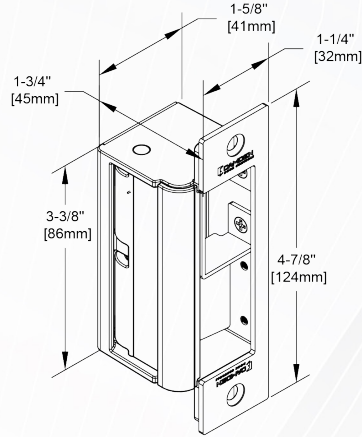
ANSI STRIKE FACEPLATES

CX-ED1079 & CX-ED2079 FACEPLATE OPTIONS			
INCLUDED IN PACKAGE			OPTIONAL FACEPLATE
<p>CX-ESP1B</p> <p>ANSI Square</p>	<p>CX-ESP3B</p> <p>Hollow Metal Door</p>	<p>CX-ESP4B</p> <p>Wood Door</p>	<p>CX-ESP2B</p> <p>ANSI Round</p>

CX-ED1379 FACEPLATE OPTIONS			
Brushed Aluminum Finish (BHMA 628) / Dark Bronze Finish (BHMA 710)			
<p>CX-ESF-1: Aluminum Finish CX-ESF-1BZ: Dark Bronze Finish</p> <p>ANSI Square</p>	<p>CX-ESF-2: Aluminum Finish CX-ESF-2BZ: Dark Bronze Finish</p> <p>ANSI Round</p>	<p>CX-ESF-3: Aluminum Finish CX-ESF-3BZ: Dark Bronze Finish</p> <p>Hollow Metal Frame</p>	<p>CX-ESF-4: Aluminum Finish CX-ESF-4BZ: Dark Bronze Finish</p> <p>Wood Frame</p>

CX-ED1579L:

'ALL IN ONE' GRADE 1 FIRE RATED ELECTRIC STRIKE



FEATURES

- 3/4" (19mm) latch projection (throw)
- Built-in latch monitoring
- Non-handed, LH/RH
- Easy fit connectors for power and monitoring wires

SPECIFICATIONS

Voltage:	12/24V AC/DC
Current Draw:	260mA @ 12V AC/DC 150mA @ 24V AC/DC
Static Strength:	1,500 Lbs
Dynamic Strength:	70 Ft-lbs
Mode:	Fail Safe/Fail Secure Field Selectable
Endurance:	1,500,000 Cycles (Factory Tested) 250,000 Cycles (UL Verified)
Operation:	AC - Buzz DC - Silent
Duty:	Continuous
Latch Bolt Monitor:	SDPT, 100mA @ 24VDC
Mounting:	Non-Handed
Fire Rating:	UL 10C/CAN4-S104 3 Hrs. (Fail Secure Only)

STRIKES

CX-ED1579L Grade 1 'All in One' Fire Rated Strike 12/24V AC/DC, for mortise & cylindrical locksets

FACEPLATES (See pg. 11 for dimensions)

INCLUDED IN PACKAGE

- CX-EMP-1** Stainless steel faceplate for Sargent, Schlage and Yale mortise locksets
- CX-EMP-2** Stainless steel faceplate for Arrow, Corbin, and Best mortise locksets
- CX-EMP-3** Stainless steel faceplate for centerline mortise or cylindrical locksets
- CX-EMP-4** Stainless steel faceplate for mortise locksets with deadbolt
- CX-EMP-5** Stainless steel faceplate for all mortise locks that include both latch and deadbolt

ACCESSORIES

CUTTING JIGS (FOR 1/4" COLLECT AND 1/8" ROUTER BIT)

CX-JIG6 For CX-ED1579L Strike, ANSI Faceplate (CX-EMP-3)

MARKING TEMPLATE

CX-STR-TMPKIT Electric Strike Marking Template Kit (See page 10 for details)



CX-JIG1



CX-ED1689L & CX-ED1799L SERIES: LOW PROFILE & DUAL MONITOR 'ALL IN ONE' FIRE RATED ELECTRIC STRIKES



UL 1034
UL 294



UL10C/
CAN4-S104,
3hr. Fire rating



UL10C/
CAN4-S104,
3hr. Fire rating



CYLINDRICAL
LOCKSET



MORTISE
LOCKSET



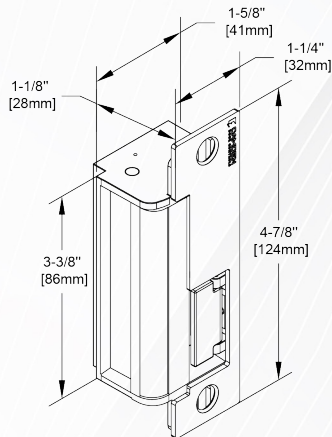
GRADE
1



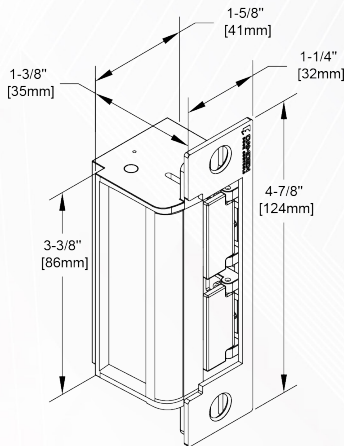
FIRE RATED



CX-ED1689L*



CX-ED1799L**



FEATURES

- A range of strike and faceplate packages for latchbolts and deadbolts
- 1 or 2 latch and deadbolt monitoring switches included
- Magnetic door position switch
- Strike power monitor
- Non-handed, left or right

SPECIFICATIONS

Voltage:	12/24V AC/DC
Current Draw:	300mA @ 12V AC/DC 150mA @ 24V AC/DC
Static Strength:	1,500 Lbs
Dynamic Strength:	70 Ft-lbs
Mode:	Selectable Fail Safe/Fail Secure
Endurance:	1,500,000 Cycles (Factory Tested) 250,000 Cycles (UL Verified)
Operation:	AC - Buzz DC - Silent
Duty:	Continuous
Latch Bolt Monitor:	SPST 100mA @ 24VDC, Resistive
Strike Monitor Status:	SPDT 100mA @ 24VDC, Resistive
Dead Bolt Monitor:	CX-ED1799L: SPST 100mA @ 24VDC

ELECTRIC STRIKES WITHOUT FACEPLATES

CX-ED1689L	Low Profile Strike Body with Latch Monitor Switch
CX-ED1799L	Strike Body with Latch & Deadbolt Monitor Switches

STRIKE AND MULTI FACEPLATE PACKS

LOW PROFILE

CX-ED1689L-4	Strike w/ Latch Monitor, (4) Faceplates for Latchbolts Includes: CX-EMP100, CX-EMP200, CX-EMP300, CX-EMP400
---------------------	---

STANDARD DEPTH DUAL MONITOR

CX-ED1799L-8	Strike w/ 2 Monitors, (8) Faceplate Package for Latchbolts & Deadbolts Includes: CX-EMP100, CX-EMP200, CX-EMP300, CX-EMP400, CX-EMP110, CX-EMP210, CX-EMP310, CX-EMP410
---------------------	--

ACCESSORIES

MARKING TEMPLATE

CX-STR-TMPKIT	Electric Strike Marking Template Kit (See page 10 for details)
----------------------	---



FACEPLATES (See pg. 11 for Dimensions)

ANSI SQUARE METAL DOOR FRAME STAINLESS STEEL FACEPLATES

CX-EMP-100	Centerline applications. Compatible with all cylindrical locksets
CX-EMP-200	Deadlatch positioned above latchbolt. Compatible with Baldwin, PDQ, Marks locksets
CX-EMP-300	Deadlatch positioned above latch. Compatible with Sargent 8100 / 7700, Schlage, Yale 8700 locksets
CX-EMP-400	Deadlatch positioned below the latchbolt. Compatible with Corbin Russwin, Falcon, Sargent 7800 locksets
CX-EMP-110	Deadbolt used for night latch function only. Compatible with Marks, Omnia, PDQ, Arrow, Accurate locksets
CX-EMP-210	Deadlatch positioned below the latchbolt. Compatible with Corbin Russwin, Best 45 / 47, Falcon, Sargent 7800 / 8200 / 9200 locksets
CX-EMP-310	Deadbolt used for night latch function only. Compatible with Sargent 7700 / 8100, Yale 8700 locksets
CX-EMP-410	Used for 1" deadbolt and no latch. Compatible with Marks, Baldwin, Arrow, PDQ, Omnia locksets

WOOD DOOR FRAME STAINLESS STEEL FACEPLATES

CX-EMP-100W	Deadbolt used for night latch function only. Compatible with Marks, Omnia, PDQ, Arrow, Accurate locksets
CX-EMP-110W	Centerline applications. Compatible with all cylindrical locksets
CX-EMP-400W	Deadlatch positioned above the latch bolt. Compatible with all cylindrical locksets

ANSI SQUARE METAL DOOR FRAME ALL-BLACK FINISH FACEPLATES (BHMA 622, US19)

CX-EMP-100-BK	Centerline applications. Compatible with all cylindrical locksets
CX-EMP-200-BK	Deadlatch positioned above latchbolt. Compatible with Baldwin, PDQ, Marks locksets
CX-EMP-300-BK	Deadlatch positioned above latch. Compatible with Sargent 8100 / 7700, Schlage, Yale 8700 locksets
CX-EMP-400-BK	Deadlatch positioned below the latchbolt. Compatible with Corbin Russwin, Falcon, Sargent 7800 locksets
CX-EMP-110-BK	Deadbolt used for night latch function only. Compatible with Marks, Omnia, PDQ, Arrow, Accurate locksets
CX-EMP-210-BK	Deadlatch positioned below the latchbolt. Compatible with Corbin Russwin, Best 45 / 47, Falcon, Sargent 7800 / 8200 / 9200 locksets
CX-EMP-310-BK	Deadbolt used for night latch function only. Compatible with Sargent 7700 / 8100, Yale 8700 locksets
CX-EMP-410-BK	Used for 1" deadbolt and no latch. Compatible with Marks, Baldwin, Arrow, PDQ, Omnia locksets

CAMDEN'S STRIKE MARKING TEMPLATES MAKE INSTALLATION A BREEZE!

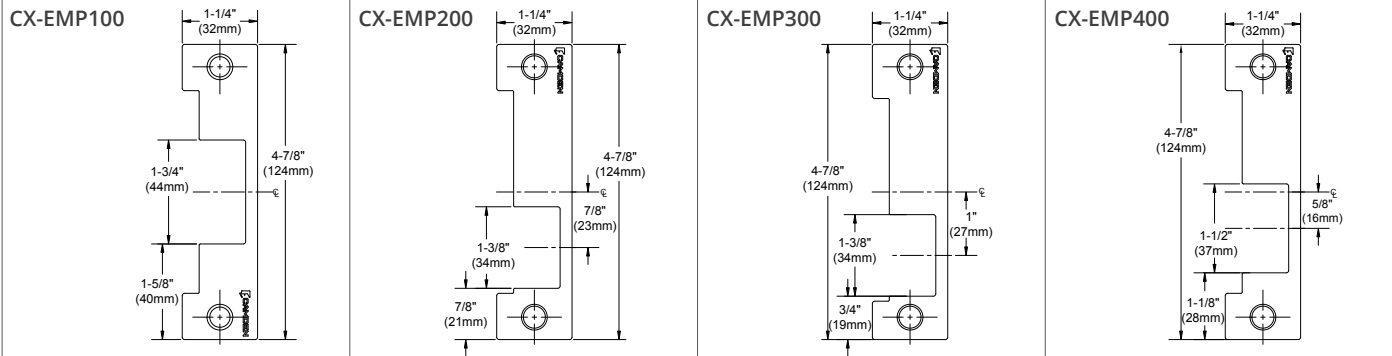
Strike marking template kit, CX-STR-TMPKIT, includes a set of 5 heavy-duty metal templates for Camden's entire range of strikes. This includes templates for Grade 1 and 2 ANSI strikes, an ANSI fire-rated strike, an ANSI storefront strike, and an all-in-one mortise strike. They are conveniently packaged in a branded zipper pouch, complete with a screwdriver and marking pencil!



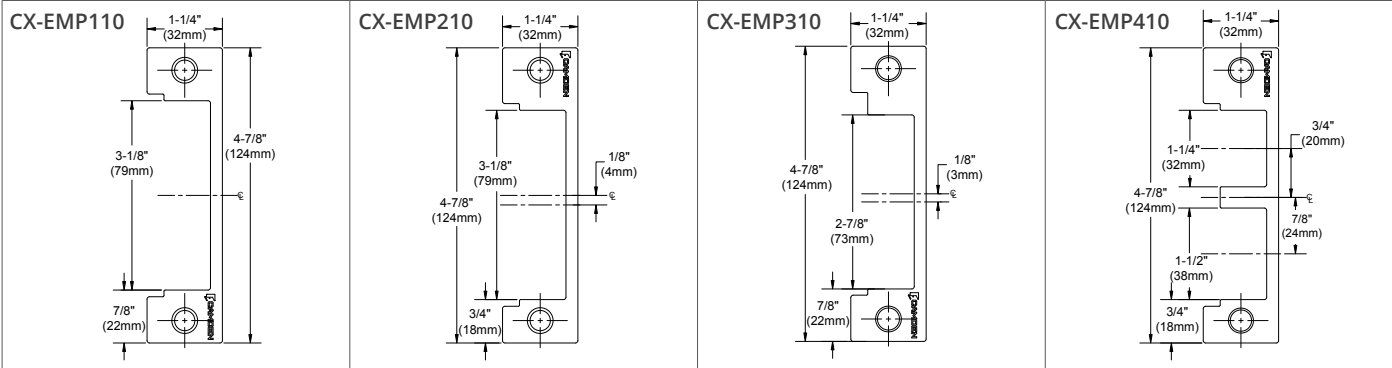
'ALL IN ONE' STRIKE FACEPLATES

CX-ED1689L & CX-ED1799L FACEPLATE OPTIONS

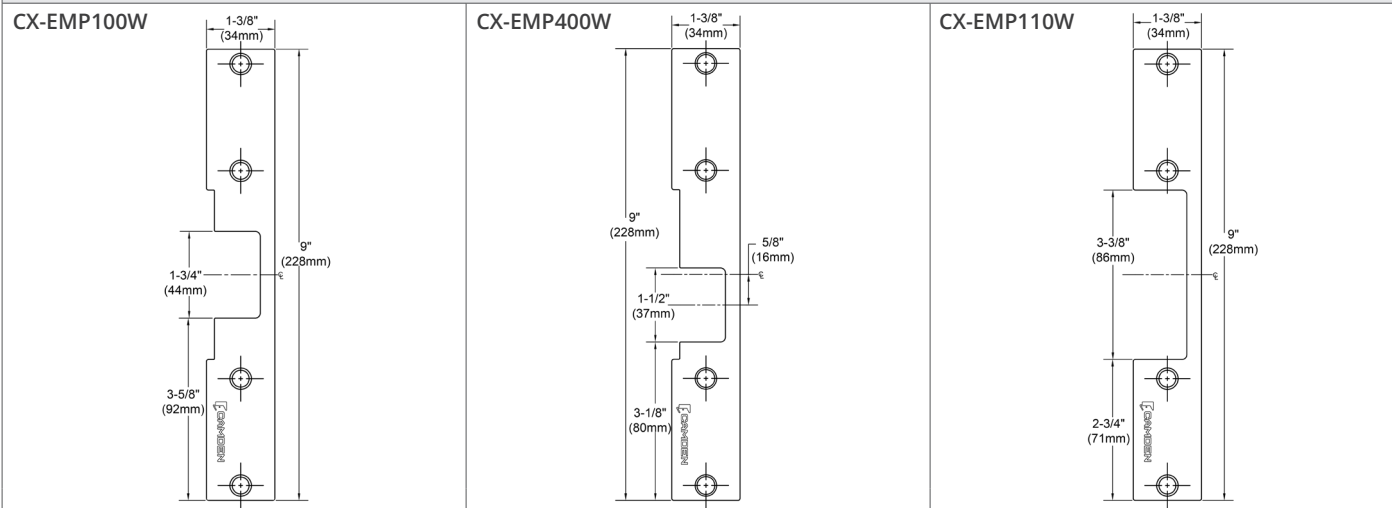
METAL DOOR FRAME FACEPLATES (ADD '-BK' TO FACEPLATE MODEL NUMBER FOR BLACK FACEPLATE OPTION, BHMA 622, US19)



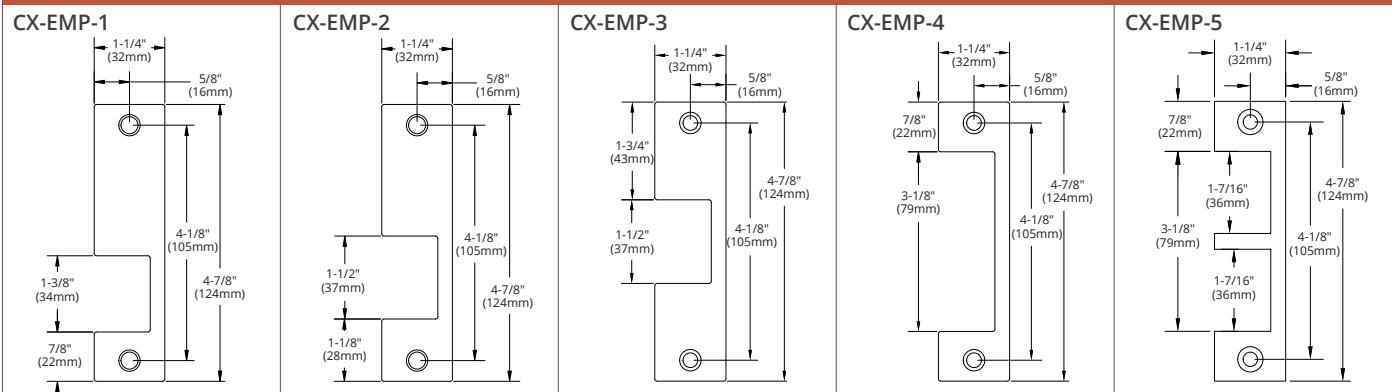
METAL DOOR FRAME FACEPLATES FOR CX-ED1799L



WOOD DOOR FRAME FACEPLATES

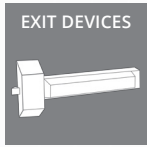


CX-ED1579 FACEPLATE OPTIONS



CX-EPD1289L SERIES:

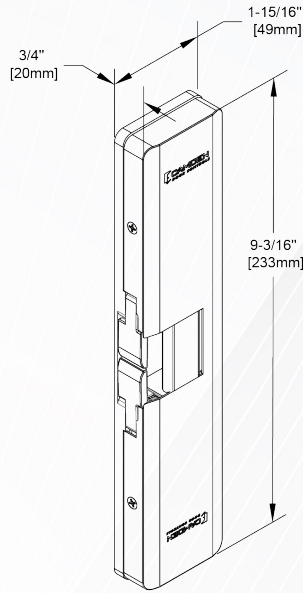
3/4" 'UNIVERSAL' GRADE 1 FIRE RATED RIM STRIKES WITH PRELOAD



CX-EPD1289L



CX-EPD1289L-BK



FEATURES

- 'No Cut' surface mount RIM strike for Pullman latches
- Patented design operates with up to 15 lbs of preload pressure
- 3/4" latch projection
- Metal mounting jig included for easy installation
- Horizontal adjustment, spacer plate available
- Removable latch monitoring switch included
- Non-handed, left or right

SPECIFICATIONS

Voltage:	12/24V AC/DC
Current Draw:	560mA @ 12V AC/DC 280mA @ 24V AC/DC
Strength:	Static: 1,500 lbs Dynamic: 70 Ft-lbs
Mode:	Fail Safe/Fail Secure
Operation:	AC - Buzz DC - Silent
Endurance:	1,000,000 Cycles (Factory Tested) 250,000 Cycles (UL Verified)
Duty:	Continuous
Preload (Fail Secure Only):	15 lbs
Mechanical Adjustment:	Strike Body
Latch Projection:	3/4"
Latch Bolt Monitor:	SPDT, 100mA @ 24VDC Resistive
Fire Rating:	UL 10C/CAN4-S104 3 Hrs. (Fail Secure)

STRIKES

CX-EPD1289L	Surface mount Grade 1 RIM strike with preload, 12/24V AC/DC, fail safe/fail secure w/ 'plug-in' latch monitor assembly and metal mounting jig
CX-EPD1289L-BK	All-black finish, Surface mount Grade 1 RIM strike with preload, 12/24V AC/DC, fail safe/fail secure, w/ 'plug-in' latch monitor assembly and metal mounting jig

SPACER PLATE

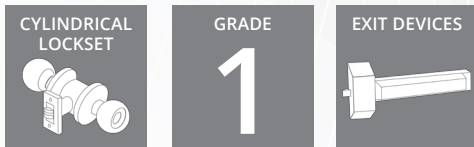
CX-EPD1289-SPC	1/8" Spacer plate for CX-EPD1289L surface mount RIM strike
-----------------------	--



CX-EPD1289-SPC



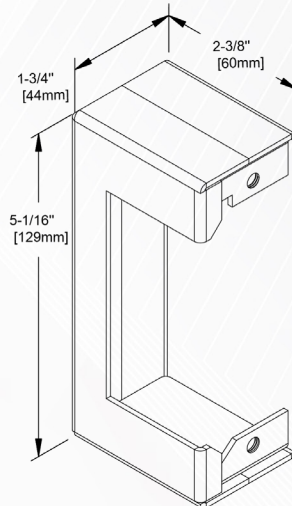
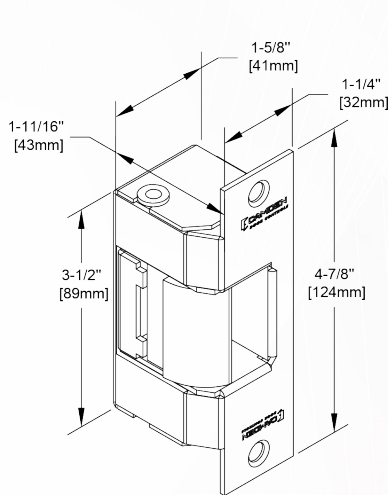
CX-ED1959 SERIES: OUTDOOR RATED ELECTRIC STRIKES



CX-ED1959-MB



CX-ED1959RM-MB



Metal Mounting Box

FEATURES

- UL Grade 1 strike for exterior doors & gates
- Heavy-duty stainless-steel construction with integrated ANSI square faceplate
- Metal surface mount box included
- 7/8" Opening for latch & mortise locksets
- Easy fit connectors

SPECIFICATIONS

Voltage:	12/24VDC
Current Draw:	280mA @ 12VDC 140mA @ 24VDC
Static Strength:	1,500 lbs
Dynamic Strength:	70 Ft-lbs
Mode:	Selectable Fail Safe/Fail Secure
Endurance:	1,000,000 Cycles (Factory Tested) 250,000 Cycles (UL Verified)
Latch Opening:	1-9/16" x 7/8" (40mm x 22mm)
Duty:	Continuous

STRIKES

CX-ED1959-MB Outdoor rated Grade 1 strike for exterior doors and gates, designed for use with cylindrical & centerline mortise locksets. Supplied with metal mounting box.

CX-ED1959RM-MB Outdoor rated Grade 1 strike for use with RIM exit devices, with standard or Pullman latches. Supplied with metal mounting box.



ELECTRIC STRIKE CROSS REFERENCE CHART

DESCRIPTION	CAMDEN	RCI (DORMA KABA)	H.E.S.	ADAMS RITE	TRINE	VON DUPRIN	LOCKNETICS	NOTES
3/4" Surface Mount RIM Strike	CX-EPD1289L	RCI F0162	9500/9600	N/A	4800F	6300	RS-300-F-32D	Camden Includes Preload, Security and 3 Hour Fire Rating
Low Profile 'All in One' Fire Rated Electric Strike	CX-ED1689L-4	N/A	1500	N/A	4100	N/A	N/A	Camden Includes 4 Faceplates, 3 Hour Fire Rating, and Monitoring as Standard
Dual Monitor 'All in One' Fire Rated Electric Strike	CX-ED1799L-8	N/A	1600	N/A	N/A	N/A	N/A	Camden Includes 8 Faceplates, 3 Hour Fire Rating, and Monitoring as Standard
'All in One' Grade 1 Fire Rated Electric Strike	CX-ED1579L	F2164	1006CLb	N/A	4100CDBM	6400	MS100F	Camden Includes 5 Faceplates, 3 Hour Fire Rating, and Latch Monitoring as Standard
Cylindrical, Grade 1, Low Profile	CX-ED1079	L65U	5000C	N/A	N/A	4200	CS-450	Camden Includes 3 Faceplates as Standard
Cylindrical Grade 1, Standard Depth	CX-ED1079D	S65U	5200C	N/A	4200	N/A	CS-750	Camden Includes 3 Faceplates as Standard
Cylindrical, Grade 1, Fire Rated	CX-ED1410	F4114	7501	7240	N/A	6200	N/A	Camden Includes 1 Faceplate (ANSI w/ Square Corners) as Standard, and 90 min. Fire Rating
Cylindrical, Grade 2, Low Profile	CX-ED2079	L65U	N/A	N/A	4200	5100	CS-450	Camden Includes 3 Faceplates
'Universal' Grade 1, Narrow Stile Aluminum	CX-ED1309 Series	N/A	N/A	7100	N/A	N/A	N/A	Camden Includes 2 ANSI Faceplates
Outdoor Rated, Grade 1 Electric Gate Strike	CX-ED1959-MB/ CX-ED1959RM-MB	N/A	N/A	N/A	EN400	N/A	N/A	Camden Includes a Metal Surface Mounting Box

Note: Specifications are subject to change without notice.

LOCKSET COMPATIBILITY CHART

ARROW									TOWN STEEL			BEST ACCESS		
MORTISE LOCKSETS	CAMDEN STRIKE	FIRE-RATED OPTION	QL93	CX-ED1079	CX-ED1410	SC8466	CX-ED1799L-8		MSS04	CX-ED1689L-4		MORTISE LOCKSETS	CAMDEN STRIKE	FIRE-RATED OPTION
AM SERIES			MLX SERIES			SC8082	CX-ED1689L-4		MSS05	CX-ED1689L-4		40H SERIES		
AM01	CX-ED1689L-4		MLX72	CX-ED2079		SC8465	CX-ED1799L-8		MSS06	CX-ED1689L-4		A	CX-ED1689L-4	
AM02	CX-ED1799L-8		MLX81	CX-ED2079		SC8440	CX-ED1799L-8		MSS07	CX-ED1689L-4		AB	CX-ED1799L-8	
AM07	CX-ED1689L-4		MLX82	CX-ED2079		SC8040	CX-ED1689L-4		MSS08	CX-ED1799L-8		AT	CX-ED1689L-4	
AM11	CX-ED1799L-8		MLX87	CX-ED2079		SC8444	CX-ED1799L-8		MSS09	CX-ED1689L-4		D	CX-ED1689L-4	
AM12	CX-ED1689L-4		RIM EXIT DEVICES			SC8445	CX-ED1799L-8		MSS11	CX-ED1799L-8		H	CX-ED1799L-8	
AM13	CX-ED1799L-8		CAMDEN STRIKE			SC8495	CX-ED1799L-8		MSS12	CX-ED1799L-8		HJ	CX-ED1799L-8	
AM17	CX-ED1689L-4		FIRE-RATED OPTION			SC8485	CX-ED1799L-8		MSS13	CX-ED1799L-8		R	CX-ED1689L-4	
AM19	CX-ED1799L-8		ED910 SERIES			SC8411HL	CX-ED1799L-8		MSS14	CX-ED1799L-8		RHB	CX-ED1689L-4	
AM20	CX-ED1799L-8		ED910	CX-EPD1289L		SC8026LG	CX-ED1689L-4		MSS15	CX-ED1799L-8		T	CX-ED1799L-8	
AM21	CX-ED1799L-8		PEC910 SERIES			SC8031LG	CX-ED1689L-4		MSS19	CX-ED1799L-8		TA	CX-ED1799L-8	
AM22	CX-ED1799L-8		ED910			SC8032LG	CX-ED1689L-4		MSS20	CX-ED1799L-8		TD	CX-ED1799L-8	
AM23	CX-ED1689L-4		3700	CX-EPD1289L		SC8033LG	CX-ED1689L-4		MSS21	CX-ED1799L-8		L	CX-ED1799L-8	
AM24	CX-ED1689L-4		3900	CX-ED1689L-4		SC8468LG	CX-ED1799L-8		MSS22	CX-ED1689L-4		LT	CX-ED1689L-4	
AM26	CX-ED1689L-4		4800	CX-EPD1289L		SC8469LG	CX-ED1799L-8		MSS26	CX-ED1689L-4		C	CX-ED1689L-4	
AM27	CX-ED1689L-4		4900	CX-ED1689L-4		SC8055LG	CX-ED1689L-4		MSS30	CX-ED1689L-4		CHB	CX-ED1689L-4	
AM31	CX-ED1799L-8		ADAMS RITE			SC8056LG	CX-ED1689L-4		MSS31	CX-ED1689L-4		G	CX-ED1799L-8	
AM32	CX-ED1689L-4		CYLINDRICAL LOCKSETS			CAMDEN STRIKE			MSS32	CX-ED1689L-4		IND	CX-ED1799L-8	
AM33	CX-ED1689L-4		FIRE-RATED OPTION			CALYPSO SERIES			MSS33	CX-ED1799L-8		NL	CX-ED1689L-4	
AM34	CX-ED1689L-4		GL SERIES			CAL00	CX-ED1079	CX-ED1410	MSS34	CX-ED1799L-8		INA	CX-ED1799L-8	
AM37	CX-ED1689L-4		4510	CX-ED1379	CX-ED1410	CAL02	CX-ED1079	CX-ED1410	MSS35	CX-ED1799L-8		W	CX-ED1689L-4	
BM01	CX-ED1689L-4		4530	CX-ED1379	CX-ED1410	CAL03	CX-ED1079	CX-ED1410	MSS82	CX-ED1689L-4		S	CX-ED1799L-8	
BM02	CX-ED1799L-8		4900	CX-ED1379	CX-ED1410	CAL04	CX-ED1079	CX-ED1410	MSS05A	CX-ED1689L-4		XR	CX-ED1689L-4	
BM07	CX-ED1689L-4		4920AH	CX-ED1379	CX-ED1410	CAL05	CX-ED1079	CX-ED1410	MSS05B	CX-ED1799L-8		XRHB	CX-ED1689L-4	
BM11	CX-ED1799L-8		CAL ROYAL			CAL06	CX-ED1079	CX-ED1410	MSS20T	CX-ED1799L-8		CYLINDRICAL LOCKSETS		
BM12	CX-ED1689L-4		MORTISE LOCKSETS			CAL07	CX-ED1079	CX-ED1410	MSS13R	CX-ED1799L-8		CAMDEN STRIKE		
BM13	CX-ED1799L-8		CAMDEN STRIKE			CAL09	CX-ED1079	CX-ED1410	FIRE-RATED OPTION			6K SERIES		
BM17	CX-ED1689L-4		FIRE-RATED OPTION			CAL101	CX-ED1079	CX-ED1410	CE SERIES			AB	CX-ED2079	
BM19	CX-ED1799L-8		NM SERIES			CAL20	CX-ED1079	CX-ED1410	CE76	CX-ED1079	CX-ED1410	D	CX-ED2079	
BM20	CX-ED1799L-8		NM8050	CX-ED1689L-4		GENESYS SERIES			CE77	CX-ED1079	CX-ED1410	L	CX-ED2079	
BM21	CX-ED1799L-8		NM8056	CX-ED1689L-4		GGN00	CX-ED1079	CX-ED1410	CS81	CX-ED1079	CX-ED1410	N	CX-ED2079	
BM22	CX-ED1799L-8		NM8070	CX-ED1689L-4		GGN01	CX-ED1079	CX-ED1410	CSRC82	CX-ED1079	CX-ED1410	R	CX-ED2079	
BM23	CX-ED1689L-4		NM8071	CX-ED1689L-4		GN101	CX-ED1079	CX-ED1410	CE84	CX-ED1079	CX-ED1410	Y	CX-ED2079	
BM24	CX-ED1689L-4		NM8457	CX-ED1799L-8		GN102	CX-ED1079	CX-ED1410	CE86	CX-ED1079	CX-ED1410	7K SERIES		
BM26	CX-ED1689L-4		NM8458	CX-ED1799L-8		GGN03	CX-ED1079	CX-ED1410	CE87	CX-ED1079	CX-ED1410	AB	CX-ED2079	
BM27	CX-ED1689L-4		NM8080	CX-ED1689L-4		GGN04	CX-ED1079	CX-ED1410	CD90	CX-ED1079	CX-ED1410	D	CX-ED2079	
BM31	CX-ED1799L-8		NM8480	CX-ED1799L-8		GGN05	CX-ED1079	CX-ED1410	CE109	CX-ED1079	CX-ED1410	L	CX-ED2079	
BM32	CX-ED1689L-4		NM8453	CX-ED1799L-8		GGN06	CX-ED1079	CX-ED1410	CDC110	CX-ED1079	CX-ED1410	N	CX-ED2079	
BM33	CX-ED1689L-4		NM8456	CX-ED1799L-8		GGN07	CX-ED1079	CX-ED1410	CB SERIES			R	CX-ED2079	
BM34	CX-ED1689L-4		NM8473	CX-ED1799L-8		GGN09	CX-ED1079	CX-ED1410	CS81	CX-ED1079	CX-ED1410	Y	CX-ED2079	
BM37	CX-ED1689L-4		NM8082	CX-ED1689L-4		RIM EXIT DEVICES			CB82	CX-ED1079	CX-ED1410	8K SERIES		
AM38	CX-ED1689L-4		NM8465	CX-ED1799L-8		CAMDEN STRIKE			CB84	CX-ED1079	CX-ED1410	AB	CX-ED1079	
			NM8040	CX-ED1689L-4		FIRE-RATED OPTION			CB86	CX-ED1079	CX-ED1410	D	CX-ED1079	
			45 SERIES			45	CX-EPD1289L		CD87	CX-ED1079	CX-ED1410	E	CX-ED1079	
			5000 SERIES			F45	CX-EPD1289L		CD90	CX-ED1079	CX-ED1410	H	CX-ED1079	
			5000 SERIES			NM8044	CX-ED1689L-4		CB109	CX-ED1079	CX-ED1410	R	CX-ED1079	
			5000 SERIES			NM8440	CX-ED1799L-8		CD110	CX-ED1079	CX-ED1410	T	CX-ED1079	
			5000 SERIES			NM8445	CX-ED1799L-8		RIM EXIT DEVICES			C	CX-ED1079	
			5000 SERIES			GL01	CX-ED1079	CX-ED1410	5000	CX-EPD1289L		G	CX-ED1079	
			5000 SERIES			GL08	CX-ED1079	CX-ED1410	F5000	CX-EPD1289L		S	CX-ED1079	
			5000 SERIES			GL81	CX-ED1079	CX-ED1410	A2200 SERIES			W	CX-ED1079	
			5000 SERIES			GL82	CX-ED1079	CX-ED1410	A2200	CX-EPD1289L		L	CX-ED1079	
			5000 SERIES			GL87	CX-ED1079	CX-ED1410	AF2200	CX-EPD1289L		NX	CX-ED1079	
			5000 SERIES			GL97	CX-ED1079	CX-ED1410	A7700 SERIES			Y	CX-ED1079	
			5000 SERIES			QL01	CX-ED1079	CX-ED1410	A7700	CX-EPD1289L		9K SERIES		
			5000 SERIES			QL11	CX-ED1079	CX-ED1410	AF7700	CX-EPD1289L		AB	CX-ED1079	CX-ED1410
			5000 SERIES			QL17	CX-ED1079	CX-ED1410	AG9800 SERIES			D	CX-ED1079	CX-ED1410
			5000 SERIES			QL33	CX-ED1079	CX-ED1410	A9800	CX-EPD1289L		E	CX-ED1079	CX-ED1410
			5000 SERIES			QL37	CX-ED1079	CX-ED1410	AF9800	CX-EPD1289L		H	CX-ED1079	CX-ED1410
			5000 SERIES			QL81	CX-ED1079	CX-ED1410	MORTISE LOCKSETS			HJ	CX-ED1079	CX-ED1410
			5000 SERIES			QL82	CX-ED1079	CX-ED1410	SC8453	CX-ED1799L-8		R	CX-ED1079	CX-ED1410
			5000 SERIES			QL87	CX-ED1079	CX-ED1410	SC8456	CX-ED1799L-8		CAMDEN STRIKE		
			5000 SERIES						SC8473	CX-ED1799L-8		FIRE-RATED OPTION		
			5000 SERIES						MS SERIES					
			5000 SERIES						MSS02	CX-ED1799L-8				

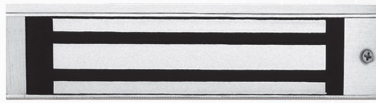
BEST ACCESS														
T	CX-ED1079	CX-ED1410	XGT129	CX-ED1079	CX-ED1410	6400 SERIES			ALXV44	CX-ED2079	CX-ED1410	4700LN SERIES		
UA	CX-ED1079	CX-ED1410	XGT135	CX-ED1079	CX-ED1410	6400R	CX-EPD1289L		ALX50	CX-ED2079	CX-ED1410	4703LN	CX-ED1079	CX-ED1410
C	CX-ED1079	CX-ED1410	XGT185LED	CX-ED1079	CX-ED1410	4200 SERIES			ALX53	CX-ED2079	CX-ED1410	4704LN	CX-ED1079	CX-ED1410
G	CX-ED1079	CX-ED1410	XGT137	CX-ED1079	CX-ED1410	4200R	CX-EPD1289L		ALX70	CX-ED2079	CX-ED1410	4705LN	CX-ED1079	CX-ED1410
IN	CX-ED1079	CX-ED1410	XGT141	CX-ED1079	CX-ED1410	VD & SCHLAGE			ALX80	CX-ED2079	CX-ED1410	4706LN	CX-ED1079	CX-ED1410
S	CX-ED1079	CX-ED1410	XGT145	CX-ED1079	CX-ED1410							A43	CX-ED2079	CX-ED1410
W	CX-ED1079	CX-ED1410	XGT148	CX-ED1079	CX-ED1410	MORTISE LOCKSETS	CAMDEN STRIKE	FIRE-RATED OPTION	A53	CX-ED2079	CX-ED1410	4708LN	CX-ED1079	CX-ED1410
NX	CX-ED1079	CX-ED1410	XGT150	CX-ED1079	CX-ED1410				A70	CX-ED2079	CX-ED1410	5300LN SERIES		
Y	CX-ED1079	CX-ED1410	XGT155	CX-ED1079	CX-ED1410	L9050	CX-ED1689L-4		A79	CX-ED2079	CX-ED1410	5302LN	CX-ED2079	
RIM EXIT DEVICES	CAMDEN STRIKE	FIRE-RATED OPTION	XGT165	CX-ED1079	CX-ED1410	LV9050	CX-ED1689L-4		A80	CX-ED2079	CX-ED1410	5303LN	CX-ED2079	
			XGT182	CX-ED1079	CX-ED1410	L9026	CX-ED1689L-4		A85	CX-ED2079	CX-ED1410	5304LN	CX-ED2079	
			GT SERIES			L9056	CX-ED1689L-4		RIM EXIT DEVICES	CAMDEN STRIKE	FIRE-RATED OPTION	5305LN	CX-ED2079	
2100	CX-EPD1289L		GT148	CX-ED1079	CX-ED1410	LV9056	CX-ED1689L-4		VON DUPRIN			5306LN	CX-ED2079	
2300	CX-ED1689L-4		GT150	CX-ED1079	CX-ED1410	L9070	CX-ED1689L-4		99 Series	CX-EPD1289L		5307LN	CX-ED2079	
2400	CX-EPD1289L		GT155	CX-ED1079	CX-ED1410	LV9070	CX-ED1689L-4		98 Series	CX-EPD1289L		5308LN	CX-ED2079	
5100	CX-EPD1289L		GT165	CX-ED1079	CX-ED1410	L9076	CX-ED1689L-4		33 Series	CX-EPD1299L		5309LN	CX-ED2079	
100	CX-EPD1289L		GT182	CX-ED1079	CX-ED1410	LV9076	CX-ED1689L-4		35 Series	CX-EPD1299L		5318LN	CX-ED2079	
300	CX-ED1689L-4		GT199A	CX-ED1079	CX-ED1410	L9080	CX-ED1689L-4		YALE/ACCENTRA			5321LN	CX-ED2079	
PDQ			GT115	CX-ED1079	CX-ED1410	LV9080	CX-ED1689L-4		MORTISE LOCKSETS	CAMDEN STRIKE	FIRE-RATED OPTION	5322LN	CX-ED2079	
			GT116	CX-ED1079	CX-ED1410	L9081	CX-ED1689L-4					5325LN	CX-ED2079	
MORTISE LOCKSETS	CAMDEN STRIKE	FIRE-RATED OPTION	GT120	CX-ED1079	CX-ED1410	LV9081	CX-ED1689L-4					5328LN	CX-ED2079	
			GT128	CX-ED1079	CX-ED1410	L9060	CX-ED1689L-4					5329LN	CX-ED2079	
MR SERIES			GT129	CX-ED1079	CX-ED1410	LV9060	CX-ED1689L-4		8800 SERIES			5330LN	CX-ED2079	
MR174	CX-ED1689L-4		GT135	CX-ED1079	CX-ED1410	L9066	CX-ED1689L-4		8808	CX-ED1689-4		5339LN	CX-ED2079	
MR176	CX-ED1689L-4		GT135LED	CX-ED1079	CX-ED1410	LV9066	CX-ED1689L-4		8802	CX-ED1799-8		SARGENT		
MR178	CX-ED1799L-8		GT137	CX-ED1079	CX-ED1410	L9071	CX-ED1689L-4		8808-2	CX-ED1689-4				
MR179	CX-ED1799L-8		GT141	CX-ED1079	CX-ED1410	LV9071	CX-ED1689L-4		8805	CX-ED1689-4		MORTISE LOCKSETS	CAMDEN STRIKE	FIRE-RATED OPTION
MR113	CX-ED1689L-4		GT145	CX-ED1079	CX-ED1410	L9077	CX-ED1689L-4		8809	CX-ED1689-4		8200 SERIES		
MR114	CX-ED1689L-4		GT124	CX-ED1079	CX-ED1410	LV9077	CX-ED1689L-4		8807	CX-ED1689-4		8204	CX-ED1689-4	
MR115	CX-ED1689L-4		GT125	CX-ED1079	CX-ED1410	L9082	CX-ED1689L-4		8811-2	CX-ED1799-8		8205	CX-ED1689-4	
MR116	CX-ED1689L-4		GT126	CX-ED1079	CX-ED1410	LV9082	CX-ED1689L-4		8817-2	CX-ED1689-4		8206	CX-ED1689-4	
MR117	CX-ED1799L-8		GT173	CX-ED1079	CX-ED1410	L9453	CX-ED1799L-8		8818-2	CX-ED1799-8		8206	CX-ED1689-4	
MR128	CX-ED1799L-8		GT175	CX-ED1079	CX-ED1410	LV9453	CX-ED1799L-8		8820	CX-ED1799-8		8231	CX-ED1689-4	
MR135	CX-ED1799L-8		GT176	CX-ED1079	CX-ED1410	L9456	CX-ED1799L-8		8827	CX-ED1799-8		8236	CX-ED1689-4	
MR136	CX-ED1799L-8		GT177	CX-ED1079	CX-ED1410	LV9456	CX-ED1799L-8		8822	CX-ED1799-8		8237	CX-ED1689-4	
MR137	CX-ED1799L-8		GP SERIES			L9456	CX-ED1799L-8		8828	CX-ED1689-4		8255	CX-ED1689-4	
MR138	CX-ED1799L-8		GP125	CX-ED2079		L9473	CX-ED1799L-8		8823	CX-ED1689-4		8256	CX-ED1689-4	
MR139	CX-ED1799L-8		GP115	CX-ED2079		L9480	CX-ED1799L-8		8829	CX-ED1689-4		8257	CX-ED1689-4	
MR141	CX-ED1799L-8		GP116	CX-ED2079		LV9480	CX-ED1799L-8		8824	CX-ED1689-4		8258	CX-ED1689-4	
MR148	CX-ED1689L-4		GP148	CX-ED2079		L9485	CX-ED1799L-8		8830-2	CX-ED1689-4		8289	CX-ED1689-4	
MR149	CX-ED1689L-4		GP150	CX-ED2079		LV9485	CX-ED1799L-8		8831	CX-ED1799-8		8291	CX-ED1689-4	
MR154	CX-ED1799L-8		GP182	CX-ED2079		L9457	CX-ED1799L-8		8834	CX-ED1689-4		8291	CX-ED1799-8	
MR157	CX-ED1799L-8		SD SERIES			L9486	CX-ED1799L-8		8832	CX-ED1799-8		8224	CX-ED1799-8	
MR158	CX-ED1799L-8		SD125	CX-ED2079		LV9486	CX-ED1799L-8		8834-2	CX-ED1689-4		8225	CX-ED1799-8	
MR158	CX-ED1689L-4		SD115	CX-ED2079		L9496	CX-ED1799L-8		8833	CX-ED1689-4		8227	CX-ED1799-8	
MR162	CX-ED1799L-8		SD116	CX-ED2079		LV9456	CX-ED1799L-8		8835	CX-ED1689-4		8235	CX-ED1799-8	
MR181	CX-ED1689L-4		SD148	CX-ED2079		L9457	CX-ED1799L-8		8833	CX-ED1689-4		8243	CX-ED1799-8	
MR186	CX-ED1689L-4		SD182	CX-ED2079		LV9457	CX-ED1799L-8		8833	CX-ED1689-4		8245	CX-ED1799-8	
MR236	CX-ED1799L-8		SF SERIES			L9458	CX-ED1799L-8		8840	CX-ED1799-8		8247	CX-ED1799-8	
MR241	CX-ED1799L-8		SF115	CX-ED2079		LV9458	CX-ED1799L-8		8847	CX-ED1799-8		8250	CX-ED1799-8	
MR257	CX-ED1799L-8		SF116	CX-ED2079		L9466	CX-ED1799L-8		8862	CX-ED1689-4		8251	CX-ED1799-8	
MR259	CX-ED1799L-8		SV SERIES			L9482	CX-ED1799L-8		8860	CX-ED1799-8		8216	CX-ED1689-4	
Mr260	CX-ED1799L-8		SV125	CX-ED1079		LV9482	CX-ED1799L-8		8864	CX-ED1689-4		8217	CX-ED1689-4	
MR269	CX-ED1799L-8		SV177	CX-ED1079		CYLINDRICAL LOCKSETS			8860-2	CX-ED1799-8		8238	CX-ED1689-4	
CYLINDRICAL LOCKSETS	CAMDEN STRIKE	FIRE-RATED OPTION	SV115	CX-ED1079		ND10	CX-ED1079DL	CX-ED1410	8861	CX-ED1799-8		8242	CX-ED1689-4	
			SV116	CX-ED1079		ND12	CX-ED1079DL	CX-ED1410	8867	CX-ED1799-8		8259	CX-ED1689-4	
XGT SERIES			SV137	CX-ED1079		ND25	CX-ED1079DL	CX-ED1410	CYLINDRICAL LOCKSETS	CAMDEN STRIKE	FIRE-RATED OPTION	8290	CX-ED1689-4	
XGT173	CX-ED1079	CX-ED1410	SV148	CX-ED1079		ND30	CX-ED1079DL	CX-ED1410				4604LN	CX-ED1079	CX-ED1410
XGT175	CX-ED1079	CX-ED1410	RIM EXIT DEVICES	CAMDEN STRIKE	FIRE-RATED OPTION	ND40	CX-ED1079DL	CX-ED1410	4600LN SERIES			8226	CX-ED1799-8	
XGT177	CX-ED1079	CX-ED1410				ND30	CX-ED1079DL	CX-ED1410	4604LN	CX-ED1079	CX-ED1410	8229	CX-ED1799-8	
XGT115	CX-ED1079	CX-ED1410	6300 SERIES			ND44	CX-ED1079DL	CX-ED1410	4605LN	CX-ED1079	CX-ED1410	8239	CX-ED1799-8	
XGT116	CX-ED1079	CX-ED1410	6300R	CX-EPD1289L		ND45	CX-ED1079DL	CX-ED1410	4607LN	CX-ED1079	CX-ED1410	8240	CX-ED1799-8	
XGT120	CX-ED1079	CX-ED1410	6300M	CX-ED1680-4		ALX44	CX-ED2079	CX-ED1410	4608LN	CX-ED1079	CX-ED1410	8241	CX-ED1799-8	
XGT128	CX-ED1079	CX-ED1410							4628LN	CX-ED1079	CX-ED1410	8246	CX-ED1799-8	

SARGENT																				
8248	CX-ED1799-8		9243	CX-ED1799-8		8800	CX-EPD1289L			CL3193	CX-ED1079	CX-ED1410	ED5602AL	CX-ED1689-4						
8249	CX-ED1799-8		9245	CX-ED1799-8		8900	CX-ED1799-8			CLX3300 SERIES			HAGER							
8252	CX-ED1799-8		9250	CX-ED1799-8		PE80 SERIES				CLX3310	CX-ED1079	CX-ED1410	MORTISE LOCKSETS			CAMDEN STRIKE		FIRE-RATED OPTION		
8213	CX-ED1689-4		9216	CX-ED1689-4		PE8500	CX-EPD1289L		CLX3320	CX-ED1079	CX-ED1410	3800 SERIES								
7800 SERIES			9217	CX-ED1689-4		PE8800	CX-EPD1289L		CLX3330	CX-ED1079	CX-ED1410									
7804	CX-ED1689-4		9238	CX-ED1689-4		PE8300	CX-ED1799-8		CLX3320H	CX-ED1079	CX-ED1410									
7805	CX-ED1689-4		9259	CX-ED1689-4		PE8900	CX-ED1799-8		CLX3320TO	CX-ED1079	CX-ED1410									
7806	CX-ED1689-4		9226	CX-ED1799-8		20 SERIES			CLX3329	CX-ED1079	CX-ED1410									
7831	CX-ED1689-4		9239	CX-ED1799-8		2828	CX-EPD1289L		CLX3322	CX-ED1079	CX-ED1410									
7836	CX-ED1689-4		9240	CX-ED1799-8		5300 SERIES			CLX3340	CX-ED1079	CX-ED1410									
7837	CX-ED1689-4		9241	CX-ED1799-8		5300	CX-EPD1289L		CLX3340NT	CX-ED1079	CX-ED1410									
7855	CX-ED1689-4		9249	CX-ED1799-8		CORBIN RUSSWIN			CLX3351	CX-ED1079	CX-ED1410									
7856	CX-ED1689-4	CYLINDRICAL LOCKSETS	CAMDEN STRIKE	FIRE-RATED OPTION					CLX3352	CX-ED1079	CX-ED1410									
7857	CX-ED1689-4	7 SERIES			MORTISE LOCKSETS			CAMDEN STRIKE	FIRE-RATED OPTION	CLX3355	CX-ED1079	CX-ED1410								
7858	CX-ED1689-4				ML2002			CX-ED1689-4		CLX3357	CX-ED1079	CX-ED1410								
7867	CX-ED1689-4	7G04	CX-ED2079		ML2003			CX-ED1689-4		CLX3359	CX-ED1079	CX-ED1410								
7824	CX-ED1799-8	7G05	CX-ED2079		ML2004			CX-ED1689-4		CLX3361	CX-ED1079	CX-ED1410								
7825	CX-ED1799-8	7G37	CX-ED2079		ML2020			CX-ED1689-4		CLX3362	CX-ED1079	CX-ED1410								
7827	CX-ED1799-8	7U68	CX-ED2079		ML2022			CX-ED1799-8		CLX3372	CX-ED1079	CX-ED1410								
7835	CX-ED1799-8	7G15-3	CX-ED2079		ML2022			CX-ED1799-8		CLX3375	CX-ED1079	CX-ED1410								
7845	CX-ED1799-8	7U65	CX-ED2079		ML2032			CX-ED1799-8		CLX3376	CX-ED1079	CX-ED1410								
7847	CX-ED1799-8	10 SERIES			ML2042			CX-ED1799-8		CLX3381	CX-ED1079	CX-ED1410								
7850	CX-ED1799-8	10XG04	CX-ED1079	CX-ED1410	ML2048			CX-ED1799-8		CLX3380	CX-ED1079	CX-ED1410								
7851	CX-ED1799-8	10X505	CX-ED1079	CX-ED1410	ML2049			CX-ED1799-8		CLX3382	CX-ED1079	CX-ED1410								
7816	CX-ED1689-4	10XG07	CX-ED1079	CX-ED1410	ML2051			CX-ED1689-4		CLX3383	CX-ED1079	CX-ED1410								
7817	CX-ED1689-4	10XG08	CX-ED1079	CX-ED1410	ML2052			CX-ED1689-4		CLX3393	CX-ED1079	CX-ED1410								
7838	CX-ED1689-4	10XG24	CX-ED1079	CX-ED1410	ML2053			CX-ED1689-4		CL 3800 SERIES			3400 SERIES							
7892	CX-ED1689-4	10XG37	CX-ED1079	CX-ED1410	ML2054			CX-ED1689-4		CL3810	CX-ED2079		3440 CX-ED1079 Add 'L' if monitoring req'd							
7826	CX-ED1799-8	10XG44	CX-ED1079	CX-ED1410	ML2055			CX-ED1689-4		CL3820	CX-ED2079		3450 CX-ED1079 Add 'L' if monitoring req'd							
7839	CX-ED1799-8	10XG50	CX-ED1079	CX-ED1410	ML2056			CX-ED1689-4		CL3851	CX-ED2079		3453 CX-ED1079 Add 'L' if monitoring req'd							
7840	CX-ED1799-8	10XG53	CX-ED1079	CX-ED1410	ML2057			CX-ED1689-4		CL3855	CX-ED2079		3470 CX-ED1079 Add 'L' if monitoring req'd							
7841	CX-ED1799-8	10XG54	CX-ED1079	CX-ED1410	ML2058			CX-ED1689-4		CL3857	CX-ED2079		3473 CX-ED1079 Add 'L' if monitoring req'd							
7846	CX-ED1799-8	10XG60	CX-ED1079	CX-ED1410	ML2059			CX-ED1799-8		CL3861	CX-ED2079		3480 CX-ED1079 Add 'L' if monitoring req'd							
7848	CX-ED1799-8	10XG16	CX-ED1079	CX-ED1410	ML2060			CX-ED1689-4		CL3870	CX-ED2079		3482 CX-ED1079 Add 'L' if monitoring req'd							
7849	CX-ED1799-8	10XG17	CX-ED1079	CX-ED1410	ML2062			CX-ED1799-8		CL3880	CX-ED2079		3495 CX-ED1079 Add 'L' if monitoring req'd							
7852	CX-ED1799-8	10XG26	CX-ED1079	CX-ED1410	MI2065			CX-ED1799-8		RIM EXIT DEVICES	CAMDEN STRIKE	FIRE-RATED OPTION	3500 SERIES							
7813	CX-ED1689-4	10XG30	CX-ED1079	CX-ED1410	ML2067			CX-ED1799-8		PED400 SERIES			3525 CX-ED2079							
7865	CX-ED1689-4	10XG38	CX-ED1079	CX-ED1410	MI2068			CX-ED1689-4		PED4200	CX-EPD1289L		3540 CX-ED2079							
7866	CX-ED1689-4	10XG13	CX-ED1079	CX-ED1410	ML2069			CX-ED1689-4		PED4600	CX-ED1689-4		3550 CX-ED2079							
7868	CX-ED1689-4	10XG14	CX-ED1079	CX-ED1410	ML2072			CX-ED1799-8		PED500 SERIES			3553 CX-ED2079							
7900 SERIES			10XG15-3	CX-ED1079	CX-ED1410	ML2073			CX-ED1799-8		PED5200			CX-EPD1289L	3570 CX-ED2079					
7904	CX-ED1689-4	10XG64	CX-ED1079	CX-ED1410	ML2075			CX-ED1799-8		PED5600	CX-ED1689-4		3573 CX-ED2079							
7937	CX-ED1689-4	10XG65	CX-ED1079	CX-ED1410	MI2082			CX-ED1799-8		ED2000 SERIES			3579 CX-ED2079							
7955	CX-ED1689-4	11 SERIES			ML2087			CX-ED1799-8		ED2200	CX-EPD1289L		3580 CX-ED2079							
7916	CX-ED1689-4	11G04	CX-ED1079	Add 'L' if monitoring req'd	CYLINDRICAL LOCKSETS			CAMDEN STRIKE	FIRE-RATED OPTION	ED2200A	CX-EPD1289L		RIM EXIT DEVICES CAMDEN STRIKE FIRE-RATED OPTION							
7938	CX-ED1689-4	11G05	CX-ED1079	Add 'L' if monitoring req'd						ED4000 SERIES			4500 SERIES							
7924	CX-ED1799-8	11G24	CX-ED1079	Add 'L' if monitoring req'd						ED4200	CX-EPD1289L		4500 Rim CX-EPD1289L							
7945	CX-ED1799-8	11G37	CX-ED1079	Add 'L' if monitoring req'd						ED5000 SERIES			4500 Mortise CX-ED1799L							
7925	CX-ED1799-8	11G44	CX-ED1079	Add 'L' if monitoring req'd	CL3110			CX-ED1079	CX-ED1410	ED5200	CX-EPD1289L		4500 Night Latch CX-ED1799L							
7950	CX-ED1799-8	11G50	CX-ED1079	Add 'L' if monitoring req'd	CL3120			CX-ED1079	CX-ED1410	ED5200A	CX-EPD1289L		4600 SERIES							
7943	CX-ED1799-8	11G54	CX-ED1079	Add 'L' if monitoring req'd	CL3129			CX-ED1079	CX-ED1410	ED5202	CX-EPD1289L		4600 Rim CX-EPD1289L							
7926	CX-ED1799-8	11G16	CX-ED1079	Add 'L' if monitoring req'd	CL3132			CX-ED1079	CX-ED1410	ED5202A	CX-EPD1289L		4700 SERIES							
9200 SERIES			11G17	CX-ED1079	Add 'L' if monitoring req'd	CL3140NT			CX-ED1079	CX-ED1410	ED5200S	CX-EPD1289L	4700 Rim CX-EPD1289L							
9204	CX-ED1689-4	11G30	CX-ED1079	Add 'L' if monitoring req'd	CL3151			CX-ED1079	CX-ED1410	ED5200A	CX-EPD1289L									
9205	CX-ED1689-4	11G38	CX-ED1079	Add 'L' if monitoring req'd	CI3152			CX-ED1079	CX-ED1410	ED5200S X MI07	CX-EPD1289L									
9206	CX-ED1689-4	11G15-3	CX-ED1079	Add 'L' if monitoring req'd	CL3155			CX-ED1079	CX-ED1410	ED5202S	CX-EPD1289L									
9237	CX-ED1689-4	RIM EXIT DEVICES	CAMDEN STRIKE	FIRE-RATED OPTION	CL3157			CX-ED1079	CX-ED1410	ED5202SA	CX-EPD1289L									
9255	CX-ED1689-4	80 SERIES			CL3162			CX-ED1079	CX-ED1410	ED5600	CX-ED1689-4									
9224	CX-ED1799-8				CL3172			CX-ED1079	CX-ED1410	ED5600A	CX-ED1689-4									
9225	CX-ED1799-8	8888	CX-EPD1289L		CL3175			CX-ED1079	CX-ED1410	ED5602L	CX-ED1689-4									
9235	CX-ED1799-8	8810	CX-EPD1289L		CL3180			CX-ED1079	CX-ED1410											

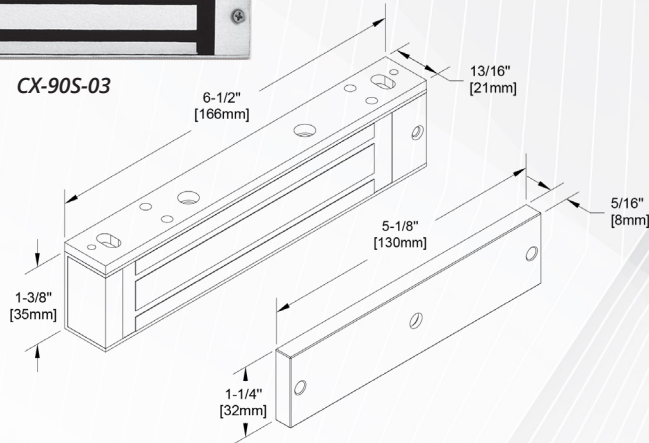


MAGNETIC LOCKS

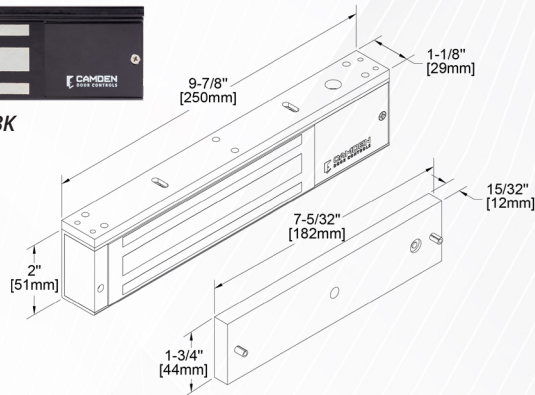
CX-90 / 91 SERIES: SINGLE DOOR MAGNETIC LOCKS



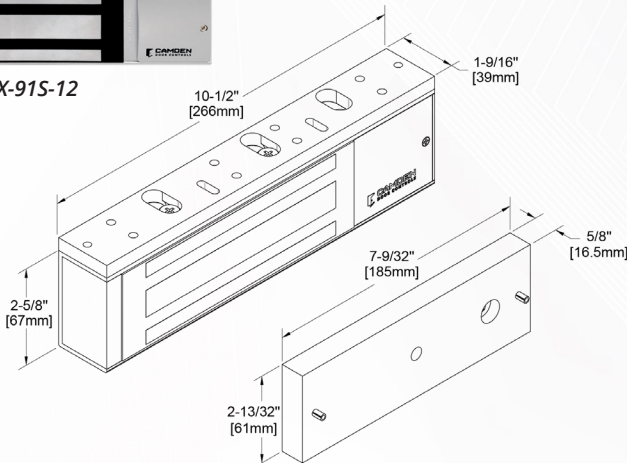
CX-90S-03



CX-91S-06-BK



CX-91S-12



FEATURES

- Weather and vandal resistant construction proven over thousands of installations
- Compatible with all access / egress systems
- On board MOV power surge protection prevents damage to the magnetic lock
- A range of mounting brackets and spacers available

SPECIFICATIONS

Voltage:	12/24 VDC
Current Draw:	CX-90 Series: 360mA @ 12VDC 180mA @ 24VDC
	CX-91S-06 Series: 480mA @ 12VDC 240mA @ 24VDC
	CX-91S-12 Series: 420mA @ 12VDC 210mA @ 24VDC

Temp Range:	32° F - 131°F (0°C to 55°C)
--------------------	-----------------------------

Contact Rating:	TDS Models Only Bond Sensor: 2A @ 24VDC Door Status Switch: 0.5A @ 28V AC/DC
------------------------	--

Time Delay:	TDS Models Only: 5 - 25 Seconds
--------------------	---------------------------------

Endurance:	250,000 Cycle
-------------------	---------------

Static Strength:	CX-91S-06 Series: 600 lbs (Factory Tested) 500 lbs (UL Verified)
	CX-91S-12 Series: 1,200 lbs (Factory Tested) 1000 lbs (UL Verified)

Dynamic Strength:	CX-91S-06 Series: 50 Ft-lb CX-91S-12 Series: 70 Ft-lb
--------------------------	--

MODELS

300 LBS	
CX-90M-03	300 lbs Mortise Mount Single Door
CX-90S-03	300 lbs Surface Mount Single Door
600 LBS	
CX-91M-06	600 lbs Mortise Mount Single Door - Basic
CX-91M-06TLS	600 lbs Mortise Mount Single Door - With Adjustable Timer, Lock Sensor/Relay
CX-91S-06*	600 lbs Surface Mount Single Door - Basic
CX-91S-06TDS*	600 lbs Surface Mount Single Door - With Adjustable Timer, Door Status Switch, Lock Sensor / Relay & LED
CX-91S-06-BK	600 lbs Surface Mount Single Door - Basic - all-black finish
CX-91S-06TDS-BK	600 lbs Surface Mount Single Door - With adjustable timer, door status switch, lock sensor, relay & LED - all-black finish
1,200 LBS	
CX-91S-12*	1,200 lbs Surface Mount Single Door - Basic
CX-91S-12TDS*	1,200 lbs Surface Mount Single Door - With Adjustable Timer, Door Status Switch, Lock Sensor / Relay & LED
CX-91S-12-BK	1200 lbs Surface Mount Single Door - Basic - all-black finish
CX-91S-12TDS-BK	1200 lbs Surface Mount Single Door - With adjustable timer, door status switch, lock sensor, relay & LED - all-black finish



CX-92S SERIES: DOUBLE DOOR MAGNETIC LOCKS



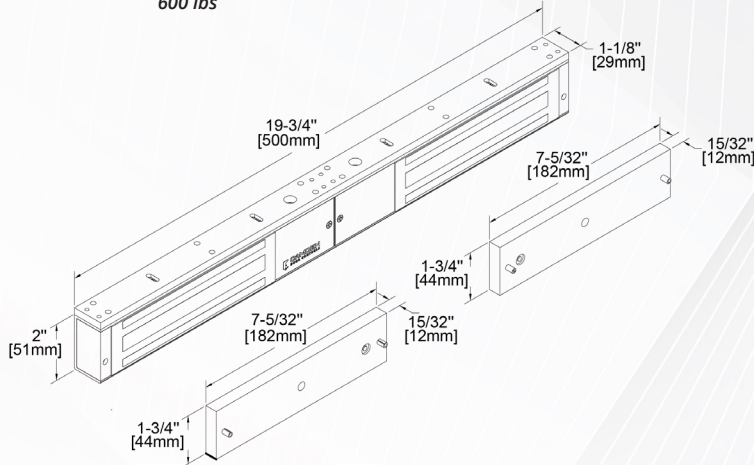
UL 1034 / UL 294
Standard for
Burglary-Resistant
Electric Locking
Mechanisms



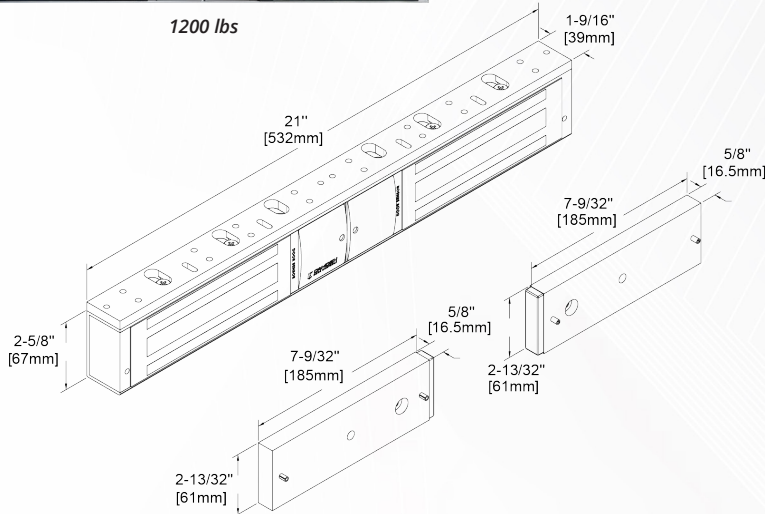
ULC S533-15
Standard for
Access and Egress



600 lbs



1200 lbs



FEATURES

- Weather and vandal resistant construction proven over thousands of installations
- Compatible with all access / egress systems
- On board MOV power surge protection prevents damage to the magnetic lock
- A range of mounting brackets and spacers available

SPECIFICATIONS

Voltage:	12/24 VDC
Current Draw:	CX-92S-06 TDS: 2 x 510mA @ 12VDC 2 x 285mA @ 24VDC CX-92S-12 TDS: 2 x 500mA @ 12VDC 2 x 265mA @ 24VDC
Temp Range:	32° F - 131°F (0°C to 55°C)
Contact Rating:	TDS Models Only Bond Sensor: 2A @ 24VDC Door Status Switch: 0.5A @ 28V AC/DC
Time Delay:	TDS Models Only: 5-25 Seconds
Endurance:	250,000 Cycle
Static Strength:	CX-92S-06 TDS: 2 x 600 lbs (Factory Tested) 2 x 500 lbs (UL Verified) CX-92S-12 TDS: 2 x 1,200 lbs (Factory Tested) 2 x 1000 lbs (UL Verified)
Dynamic Strength:	CX-92S-06 TDS: 50 Ft-lb x 2 CX-92S-12 TDS: 70 Ft-lb x 2

MODELS

600 LBS	
CX-92S-06	600 lbs Surface Mount Double Door Maglock - Basic
CX-92S-06TDS	600 lbs Surface Mount Double Door Maglock - With Adjustable Timer, Door Status Switch, Lock Sensor, Relay & LED
CX-92S-06-BK	600 lbs Surface Mount Double Door - Basic - All-black finish
CX-92S-06TDS-BK	600 lbs Surface Mount Double Door - With adjustable timer, door status switch, lock sensor, relay & LED - all-black finish
1,200 LBS	
CX-92S-12*	1,200 lbs Surface Mount Double Door Maglock - Basic
CX-92S-12TDS*	1,200 lbs Surface Mount Double Door Maglock - With Adjustable Timer, Door Status Switch, Lock Sensor, Relay & LED
CX-92S-12-BK	1200 lbs Surface Mount Double Door - Basic All-black finish
CX-92S-12TDS-BK	1200 lbs Surface Mount Double Door - With adjustable timer, door status switch, lock sensor, relay & LED - All-black finish



CX-91S / 92S SERIES: MOUNTING ACCESSORIES

SINGLE DOOR MODELS

BRACKETS

CX-MA0610	L bracket for 600 lbs magnetic lock
CX-MA0613	LZ bracket for 600 lbs magnetic lock
CX-MA1210	L bracket for 1,200 lbs magnetic lock
CX-MA1213	LZ bracket for 1,200 lbs magnetic lock

SPACER BARS

CX-MA0614-38	3/8" spacer bar for 600 lbs magnetic lock
CX-MA0614-12	1/2" spacer bar for 600 lbs magnetic lock
CX-MA0614-58	5/8" spacer bar for 600 lbs magnetic lock
CX-MA1214-38	3/8" spacer bar for 1,200 lbs magnetic lock
CX-MA1214-12	1/2" spacer bar for 1,200 lbs magnetic lock
CX-MA1214-58	5/8" spacer bar for 1,200 lbs magnetic lock

ARMATURE / MOUNTING KITS

CX-MA0612	Armature housing for 600 lbs magnetic lock
CX-MA1212	Armature housing for 1,200 lbs magnetic lock
CX-MA1215-95	Split armatures (2) for 1,200 lbs magnetic lock 3/8" (9.5mm)
CX-MA1215-16	Split armatures (2) for 1,200 lbs magnetic lock 5/8" (16mm)

ARMATURE / MOUNTING KITS

CX-MA0611	Glass (1/2" thick) door mounting kit for 600 lbs magnetic lock
CX-MA1211	Glass (1/2" thick) door mounting kit for 1,200 lbs magnetic lock

DOUBLE DOOR MODELS

BRACKETS

CX-MA1210D	L bracket for 1,200 lbs magnetic lock
CX-MA1213D	LZ bracket for 1,200 lbs magnetic lock

SPACER BARS

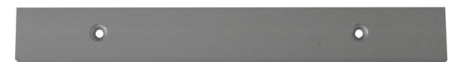
CX-MA1214-38D	3/8" spacer bar for 1,200 lbs magnetic lock
CX-MA1214-12D	1/2" spacer bar for 1,200 lbs magnetic lock
CX-MA1214-58D	5/8" spacer bar for 1,200 lbs magnetic lock



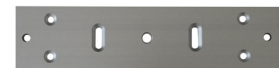
L Bracket



LZ Bracket



Spacer Bar



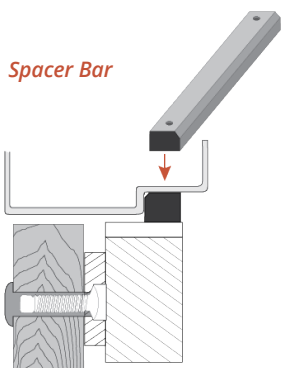
Armature



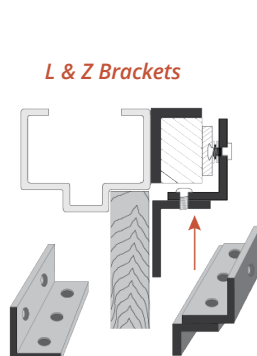
Glass Mounting Kit



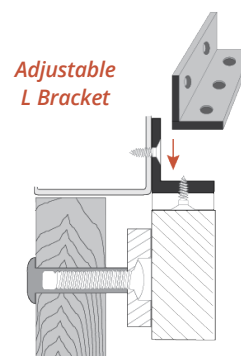
Split Armature



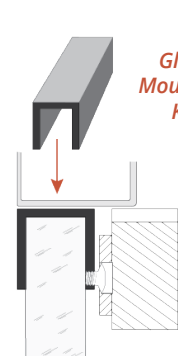
Spacer Bar



L & Z Brackets



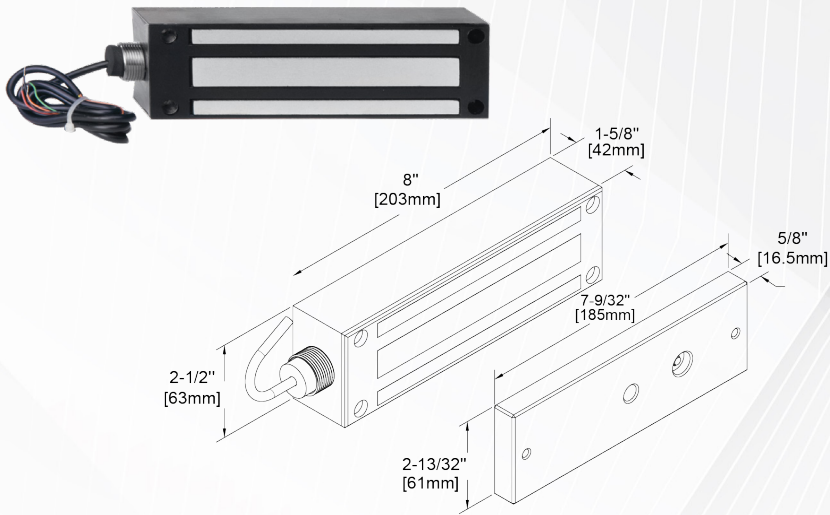
Adjustable
L Bracket



Glass
Mounting
Kit



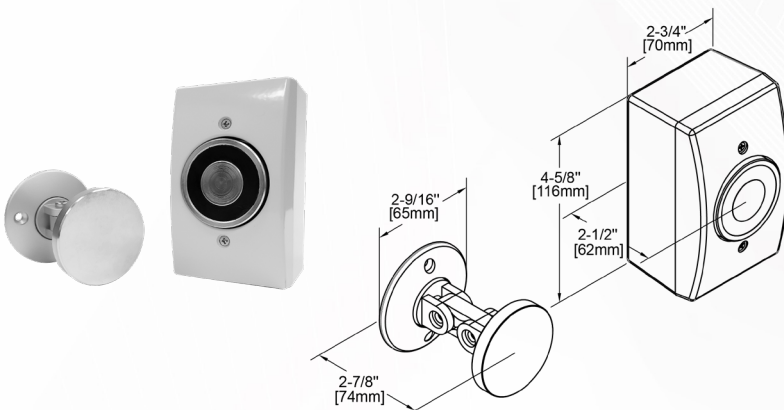
CX-94 SERIES: GATE LOCK



FEATURES

- Compatible with all access / egress systems
- Conduit fitting for weather resistant installation
- On board MOV power surge protection prevents damage to the magnetic lock
- Built-in lock sensor and relay

CX-95S-DH: MAGNETIC DOOR HOLDER



FEATURES

- Armature plate adjusts to door alignment
- Up to 35 lbs (16 kg) holding force
- Used for door release in public, industrial and commercial applications

SPECIFICATIONS

Voltage:	12/24 VDC
Current Draw:	500mA @ 12VDC 250mA @ 24VDC
Temp Range:	5F - 122F (-15°C to 50°C)
Contact Rating:	Bond Sensor: 1A @ 30VDC

MODELS

CX-94S-12LS	1,200 lbs Surface mount gate lock with lock sensor and relay
--------------------	--



SPECIFICATIONS

Voltage:	12/24V AC/DC, 120V AC
Current Draw:	55mA @ 12VAC 57mA @ 12VDC, 32mA @ 24VAC 34mA @ 12VDC, 30mA @ 120VAC
Static Holding Force:	12V AC/DC: Up to 30 lbs 24V AC/DC: Up to 35 lbs 120V AC: Up to 18 lbs
Mount Options:	Surface or Flush Mount

MODELS

CX-95S-DH	Magnetic Door Holder Surface/Flush Mount
------------------	--

EXTENSION BARS

CX-95S-3E	3" Magnetic Door Holder Extension Bar
CX-95S-7E	7" Magnetic Door Holder Extension Bar

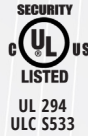


MAGNETIC LOCK CROSS REFERENCE CHART

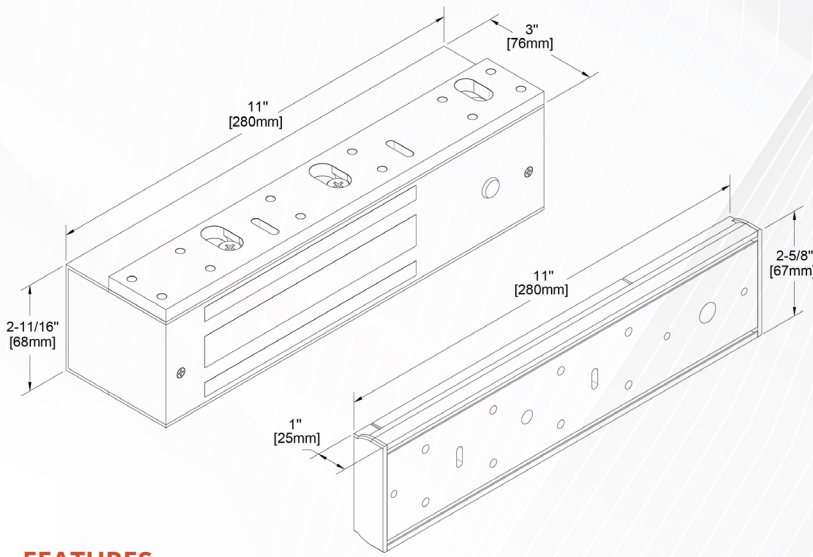
	CAMDEN	RCI	SECURITRON	SCHLAGE	SDC	DYNALOCK	ROFU	ALARM CONTROLS
300 lbs Surface Mount	CX-90S-03	8375	VM300	N/A	1583 E300	N/A	8003S	300S
300 lbs Mortise Mount	CX-90M-03	8365	N/A	N/A	N/A	N/A	8003M	N/A
600 lbs Surface Mount	CX-91S-06	8371	M38	40 SERIES	1581	2511	8005	600S
600 lbs Surface Mount w/ adj. Timer/Lock Sensor & LED	CX-91S-06TDS	8371-DSS/SCS	M38DLS	M420P+ MBS+DPS+RTD	1581-TDBL E600	2511-DYNLED	8005X001	600Lb
600 lbs Mortise Mount	CX-91M-06	8360	M34R	320M	1591	2600	8000	N/A
1200 lbs Surface Mount	CX-91S-12	8310	M68	70 SERIES	1571	2011	8011LC	1200S
1200 lbs Surface Mount w/ adj. Timer/Lock Sensor & LED	CX-91S-12TDS	8310-DSS/SCS	M68DLS	N/A	1571-TDBL E1200	2011-VOPLED	8011-002	1200Lb
1200 lbs Surface Mount Double Mag Lock	CX-92S-12	8320	DM62	72 SERIES	1572	2022	N/A	1200D
1200 lbs Surface Mount Double Mag Lock w/ adj. Timer/Lock Sensor & LED	CX-92S-12TDS	8320-2DSS/SCS	DM62BD	N/A	1572-TDBC	2022VOP2LED2	8022-002	1200DLb
1200 lbs Gate Lock w/ Lock Sensor	CX-94S-12LS	8380	M62FG	M490G	1575	2013-DYN	8040-002	1200WD

Note: Specifications are subject to change without notice.

CX-DE1200 SERIES: DELAYED EGRESS MAGNETIC LOCKS



Building & Fire Life Safety Code Compliant:
 IBC International Building Code
 NFPA 101 Life Safety Code
 NFPA 1, UFC Uniform Fire Code
 CBC California Building Code
 BOCA National Building Code
 Chicago Building Code



FEATURES

- Voice annunciator & progressive LED count-down timer
- Choice of sensor activation:
 - Door motion
 - Door exit device with momentary N/O contact
 - Push bar with momentary N/O contact
- Auto / manual start-up on power restore
- Vandal resistant proximity trigger sensor
- Auto sensing power input with polarity protection
- Anti-Passback / Auto Re-Lock

SPECIFICATIONS







Voltage:	12/24VDC +/- (Auto Sensing)
Current Draw:	600mA @ 12VDC 350mA @ 24VDC
Lock Status Relay Rating Max:	30VDC, 2A
Alarm Output Rating Max:	30VDC, 2A
DPS Rating:	Max. 30VDC, 0.1A
Bond Sensor Rating:	Max. CX-DE1200: 30VDC, 2A
ATS Rating:	30VAC / 42.4VDC, 5A (Max.)
Holding Force:	Up to 1,200 lbs (544 kg.)
Operating Temp:	0-55°C (32-131°F)

MODELS

DELAYED EGRESS MAGNETIC LOCK - SINGLE DOOR	
CX-DE1200-N1	Single Maglock, NFPA 101, IBC, IFC, UBC Compliant
CX-DE1200-N2	Single Maglock, NFPA 101, IBC, IFC, UBC, CBC (OSHPD) Compliant
CX-DE1200-N3	Single Maglock, NFPA 101, IBC, IFC, UBC - Fixed 30 sec. exit delay
CX-DE1200-N4	Single Maglock, NFPA 101, IBC, IFC, UBC - Fixed 15 sec. exit delay
CX-DE1200-B1	Single Maglock, BOCA Building Code - Fixed 15 sec. exit delay
CX-DE1200-B2	Single Maglock, BOCA Building Code - Fixed 30 sec. exit delay
CX-DE1200-B3	Single Maglock, City of Chicago Building Code
DELAYED EGRESS MAGNETIC LOCK - DOUBLE DOOR	
CX-DE1220-N1	Single & Tandem Maglock, NFPA 101, IBC, IFC, UBC Compliant
CX-DE1220-N2	Single & Tandem Maglock, NFPA 101, IBC, IFC, UBC, CBC (OSHPD) Compliant
CX-DE1220-N3	Single & Tandem Maglock, NFPA 101, IBC, IFC, UBC - Fixed 30 sec. exit delay
CX-DE1220-N4	Single & Tandem Maglock, NFPA 101, IBC, IFC, UBC - Fixed 15 sec. exit delay
CX-DE1220-B1	Single & Tandem Maglock, BOCA Building Code - Fixed 15 sec. exit delay
CX-DE1220-B2	Single & Tandem Maglock, BOCA Building Code - Fixed 30 sec. exit delay
CX-DE1200-B3	Single & Tandem Maglock, City of Chicago Building Code
MOUNTING ACCESSORIES	
CX-DE1214-38	3/8" Spacer Bar
CX-DE1214-58	5/8" Spacer Bar
CX-DE1215	1" x 1-1/2" L Bracket
CX-DE1216	1-1/2" x 1-1/2" L Bracket
CX-DE1217	2" L Bracket
SYSTEM ACCESSORIES	
CX-DE50250	Remote annunciator for audio and visual distinction, stainless steel faceplate has a piezo and tri-color LED
CX-DESPK	Remote speaker station for audio and visual distinction, 3 LED color states and 8-ohm speaker for remote messaging
CX-DESPK15FM	Flush Mount, external 15W audio speaker station, non-illuminated
CX-DESPK15SM	Surface Mount, external 15W audio speaker station, non-illuminated
CX-DESPK15/54i	Surface Mount, external 15W audio speaker station, with Aura™ PCB feature displaying 3 colors for designated states
CX-DESPK15/55i	Flush Mount, external 15W audio speaker station, with Aura™ PCB feature displaying 3 colors for designated states
CX-6057A027	Delayed egress sign, raised lettering and braille language for the visually impaired

CX-DE1200 SERIES:

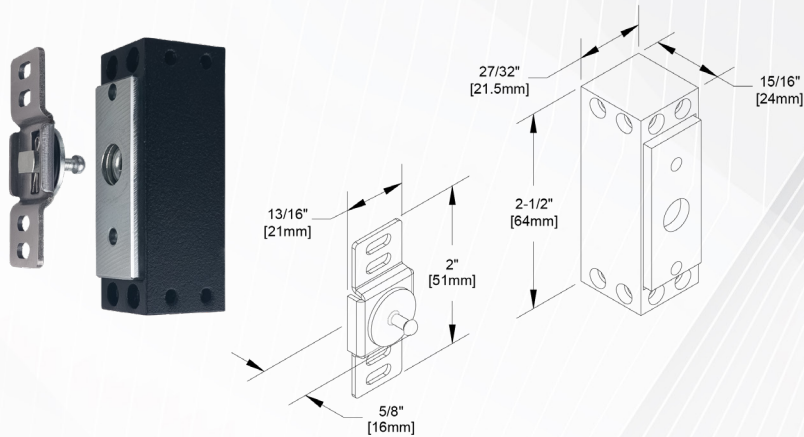
DELAYED EGRESS MAGNETIC LOCKS COMPARISON CHART

MANUFACTURER	CAMDEN	SDC	ASSA ABLOY - SECURITRON	DYNALOCK	DORMAKABA RCI	ALLEGION LOCKNETICS SCHLAGE
PHOTO						
MODEL	CX-DE1200	1511S	DEM680E	3101C-G2	DE8310S	M490DEP
VOICE ALERTS	English/Spanish/ French	English/Spanish/ French	No	No	No	No
DOUBLE DOOR	Yes (CX-DE1220)	Yes	No	Yes	Yes	Yes
HOLDING FORCE	1200 lbs	1650 lbs	1200 lbs	1500 lbs	1200 lbs	1300 lbs
VOLTAGE	12/24 VDC	12/24 VDC	12/24 VDC	12 or 24 VDC	12-24 VDC	12 or 24 VDC
LED COUNTDOWN DISPLAY	Yes	Yes	No	No	No	No
AUTO CALIBRATION DOOR MOVEMENT	No	No	Yes	No	No	No
EXTERNAL ALARM DRY CONTACT	2 Amp @ 30 VDC	1 Amp @ 30 VDC	1 Amp @ 24 VDC	1 Amp @ 24 V AC/DC	DPDT, 2 Amp @ 30 VDC	No
CONFIGURABLE NUISANCE DELAY (SEC)	0, 1 or 3	0, 1 or 2	0, 1, 2 or 3	1 or 3	0, 1, 2, 3	0, 1, 2, 3
CONFIGURABLE ALARM DELAYS (SEC)	15 or 30	15 or 30	15 or 30	15 or 30	15 or 30	15
DOOR PROP OPEN ALARM (SEC)	Yes	Yes	Yes	No	Yes	Yes
BYPASS DELAY TIMES	Yes	Yes	Yes	Yes	Yes	N/A
BYPASS EXPIRATION ALARM	No	No	Yes	No	No	No
ADJUSTABLE RELOCK TIME (SEC)	Fixed 30	15 or 30	Fixed 30	No	Fixed 30	0 to 30
CERTIFICATIONS	UL294, ULCS533	UL294, UL10B, UL10C, ULCS104, ULCS533, CSFM	UL294, UL10C CSFM, CAN/ULCS104	UL294, CSFM	CA/ULCS104, UL10C, UL294, CAN/ULCS533	UL10C, CUL, CSFM, UL294
COMPLIANCE	NFPA, BOCA2017, IBC, Chicago	NFPA, BOCA1999, IBC, Chicago	NFPA, BOCA2017, Chicago	NFPA, BOC 1999, Chicago	NFPA, IBC, BOCA1999	NFPA, BOCA1999
ANTI-TAMPER UNMOUNTING	No	Anti-tamper Plugs	No	No	Screws Prevent Allen Wrench Removal	Spanner Wrench
DIMENSIONS	11" x 3" x 3"	11" x 2.75" x 2.625"	11.5" x 3.125" x 2.5"	11" x 4" x 2.75"	11.75" x 2.875" x 2.125"	12.5" x 3" x 3.125"
WARRANTY	5-Year	5-Year	Limited Lifetime	Limited Lifetime	10-Year Limited	Limited Lifetime

CABINET LOCKS

CX-EPD0009:

MAGNETIC CABINET LOCK

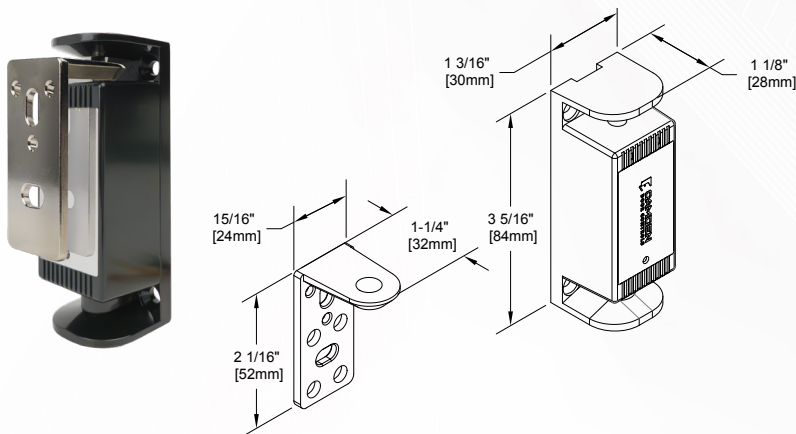


FEATURES

- Front or side mounting for use with swing or sliding doors and drawers
- Armature plate adjusts to door alignment
- 440 lbs (200 kg) holding force
- Water resistant for indoor and outdoor use
- 5 lbs preload

CX-ED0010:

ELECTROMECHANICAL CABINET LOCK



FEATURES

- Side mounting for use with swing or sliding doors and drawers
- Armature plate adjusts to door alignment
- 440 lbs (200 kg) holding force
- Flexibility of operating in fail-safe or fail-secure modes

SPECIFICATIONS

Power Input:	12/24VDC
Current Draw:	60mA @ 12VDC 110mA @ 24VDC
Static Strength:	440 lbs (200 kg) Holding Force
Preload:	5 lbs
Endurance:	250,000 Cycles
Operation Mode:	Fail Safe
Temperature Rating:	-4°F to 140°F (-20°C to 60°C)
Installation Options:	Front Mount, Side Mount

MODELS

CX-EPD0009	Magnetic Cabinet Lock
-------------------	-----------------------

BRACKETS

CX-CL-LZBRK	L&Z Bracket for use with CX-EPD0009
--------------------	-------------------------------------



CX-CL-LZBRK

SCAN ME



SPECIFICATIONS

Power Input:	12/24VDC
Current Draw:	280mA @ 12VDC 140mA @ 24VDC
Static Strength:	440 lbs (200 kg) Holding Force
Endurance:	250,000 Cycles
Operation Mode:	Fail Safe/Fail Secure
Temperature Rating:	-4°F to 140°F (-20°C to 60°C)
Installation Options:	Front Mount
Door Status Sensor:	200mA @ 30VDC (Max) Form C
Lock Status Sensor:	1A @ 30V DC (Max)

MODELS

CX-ED0010	Electromechanical Cabinet Lock
------------------	--------------------------------

SCAN ME





BEST QUALITY

Camden is an ISO-9001 certified manufacturer with North American product design and manufacturing. Camden's dedication to product quality results in a manufacturing defect rate of less than 1%.



EXCLUSIVE PRODUCTS

Camden leads the market with no-touch switches, wireless door activation, restroom control (privacy) systems, and electronic locking solutions that are not available from any other manufacturers.



FASTEST DELIVERY

Our excellence in supply chain management gives Camden an industry-leading order fulfillment rate and the ability to ship 90% of orders within two business days!



Opening New Doors to Innovation, Quality, and Support!