

AVARRO™

MEDIUM TILT MOUNT

NX-TM2460



EASY TO INSTALL WITH A LOW PROFILE TILTING DESIGN AND POST-INSTALL LEVELING. THE NX-TM2460 IS IDEAL FOR 24" - 60" PANELS WEIGHING UP TO 120 LBS.

SPECIFICATIONS:

- Fits 24" - 60" TVs up to 120lbs
- VESA 75 x 75 to 400 x 400 (W x H) (mm)
- Locking mechanism secures rails to wall plate
- Height adjustable for easy levelling
- Tilt up to 12° to reduce glare
- Simple to install and use
- Includes complete hardware kit
- Warranty: 5 years
- For commercial and residential applications

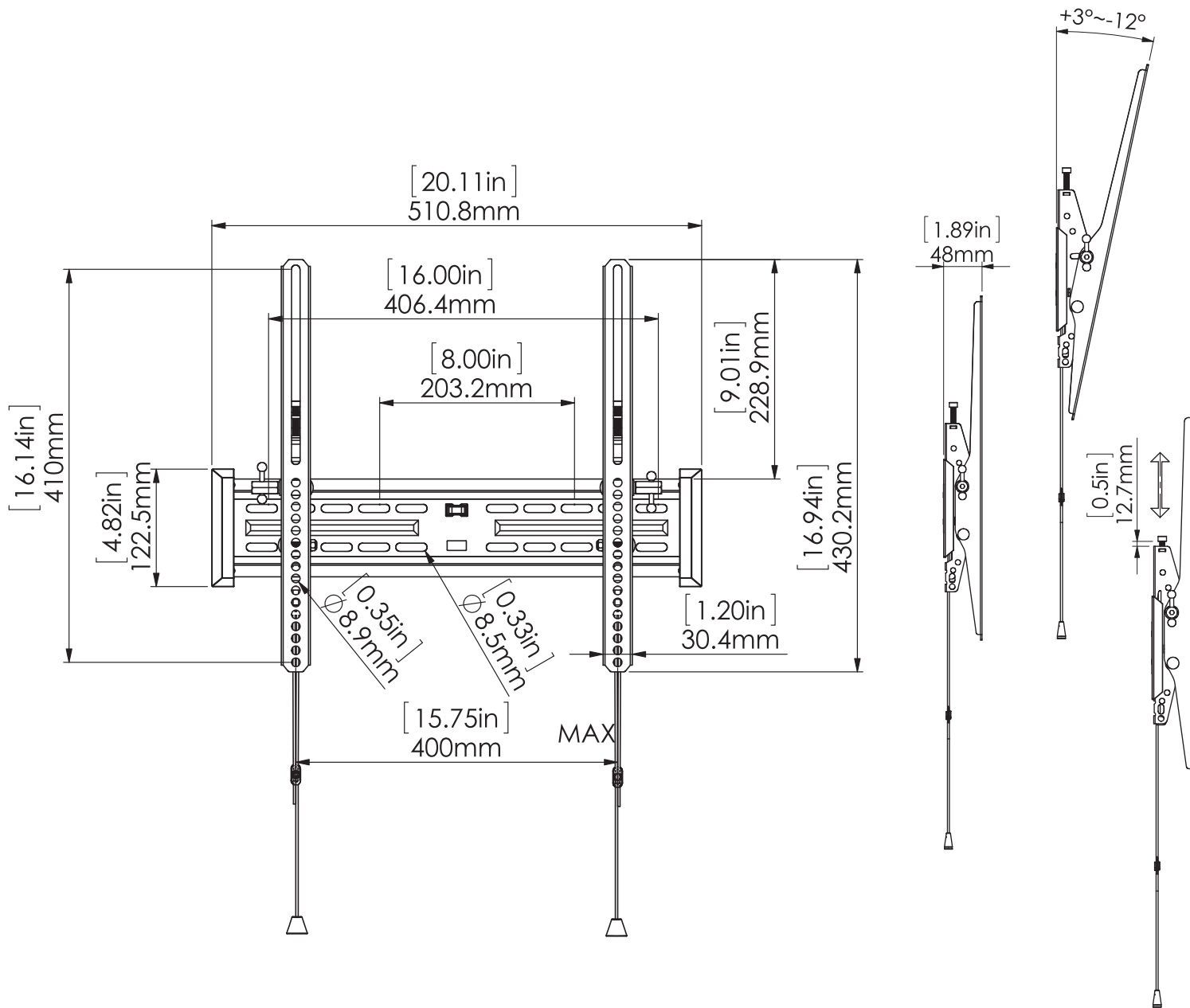
BOX DIMENSIONS:

PART#: NX-TM2460
UPC: 840049303102
LENGTH: 5.9"
WIDTH: 21.3"
HEIGHT: 2.4"
WEIGHT: 5.8 LBS

For more information please call 1-833-574-9124
or email AVARRO@adiglobal.com

To learn more about AVARRO products visit
avarro.adiglobaldistribution.us





For more information please call 1-833-574-9124
or email AVARRO@adiglobal.com

To learn more about AVARRO products visit
avarro.adiglobaldistribution.us