

AVARRO™

LARGE CEILING MOUNT

NX-SCM125



COMPLETE CEILING MOUNT FOR 37" -80" PANELS WEIGHING UP TO 125 LBS. THE NX-SCM125 IS AN IDEAL SOLUTION FOR SECURELY MOUNTING YOUR TV WITH UP TO 18 DEGREES OF TILT

SPECIFICATIONS:

- Fits 37"- 80" TVs up to 125lbs
- VESA 200 x 100 to 600 x 400 (W x H) (mm)
- Wire management with included pipe
- Tilt up to 18°
- Simple to install and use
- Includes complete hardware kit
- Warranty: 5 years
- For commercial and residential applications

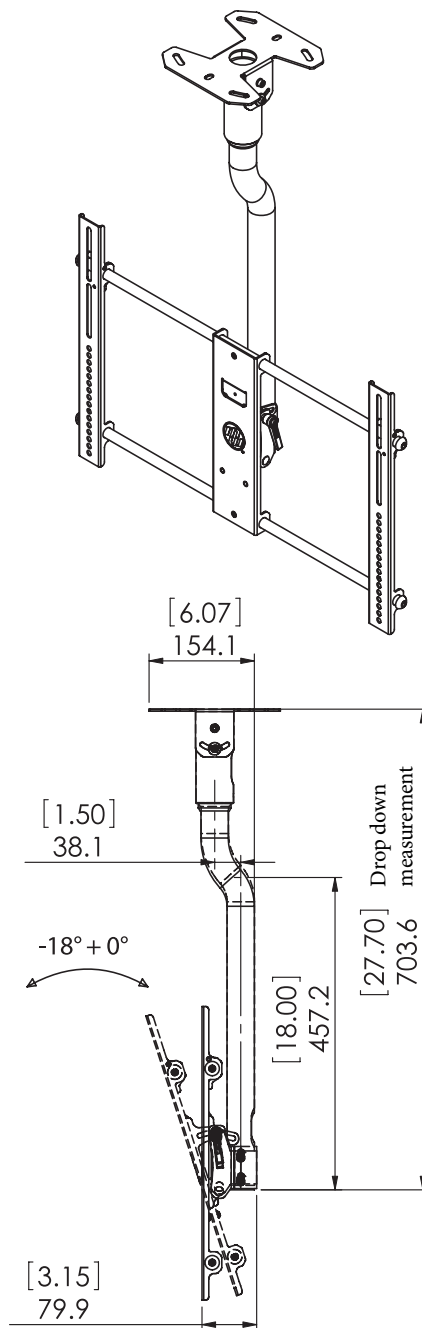
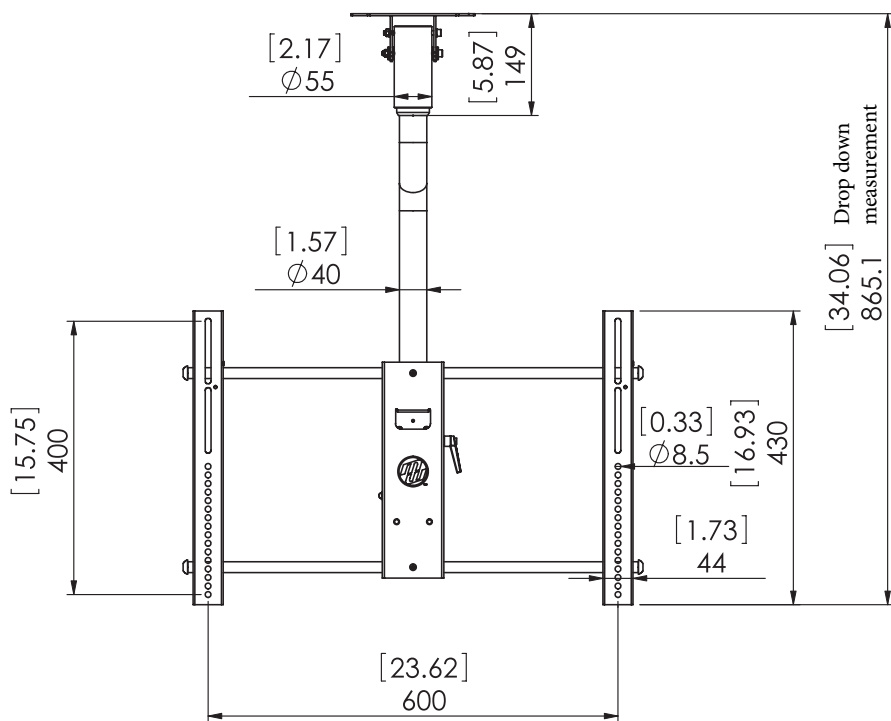
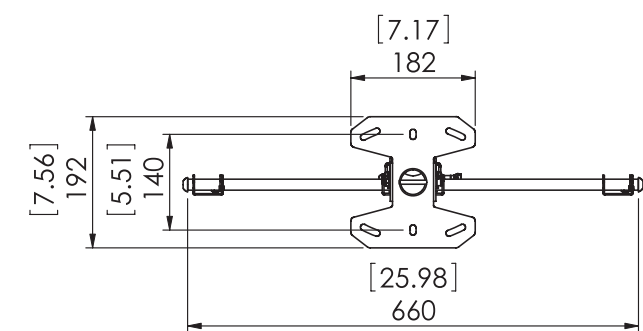
BOX DIMENSIONS:

PART#: NX-SCM125
UPC: 840049303195
LENGTH: 17.2"
WIDTH: 33.1"
HEIGHT: 4.2"
WEIGHT: 16.0 LBS

For more information please call 1-833-574-9124 or email AVARRO@adiglobal.com

To learn more about AVARRO products visit avarro.adiglobaldistribution.us





For more information please call 1-833-574-9124
or email AVARRO@adiglobal.com

To learn more about AVARRO products visit
avarro.adiglobaldistribution.us