



Table of Contents

Introduction	2
Overview	2
Features	2
Package Contents	3
Panel	3
Specification	4
Installation and Wiring.....	5
Brackets Installation	5
Wiring	6
Troubleshooting.....	8
Limited Warranty	9
Introduction	13
Aperçu.....	13
Caractéristiques.....	13
Contenu.....	14
Panneau	14
Spécifications	15
Installation et câblage	17
Installation des supports	17
Câblage.....	18
Dépannage.....	19
Garantie limitée	20
Introducción	24
Descripción	24
Características	24
Contenido del paquete	25
Panel	25
Especificaciones	26
Instalación y cableado	28
Instalación de los soporte.....	28
Cableado.....	29
Solución de problemas	30
Garantía limitada	31

Introduction

Overview

The 0E-HDMISP2 is a 1 x 2 HDMI splitter with scaler, reliably distributes one HDMI input signal to two outputs at resolutions up to 4K@60Hz 4:4:4 chroma subsampling. It follows HDCP 2.2 and HDMI 2.0b specifications, including supported data rates up to 18 Gbps, HDR (high dynamic range), 3D and HD lossless audio formats.

With the built-in scaler, when connected to two different displays, the corresponding HDMI output is capable of scaling down automatically (down to 1080P) to feed an optimal output signal to its attached display. The splitter provides HDCP management which continuously authenticates HDCP encryption between all devices, ensuring correct source content is output to each display. It also features automatic input cable equalization, actively conditions input HDMI signals to compensate for signal loss when using long cables or cascading multiple units.

Features

- Distributes one HDMI input signal to two HDMI displays
- Supports HDMI 2.0b Specifications, including:
 - Data rates up to 18.0 Gbps
 - 3D
 - HDR
 - HD lossless audio formats
- HDCP 2.2 compliant
- Each HDMI output supports scaling down to 1080P individually (fps will not change during scaling down from 4K to 1080P)
- Front panel LED indication for I/O and Power connectivity

- Automatic input cable equalization for signal regeneration compensation

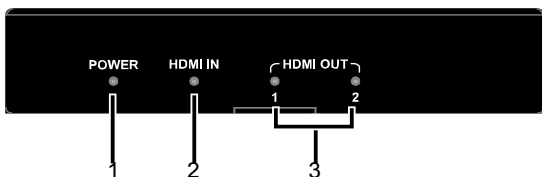
Package Contents

Before you start the installation of the product, please check the package contents:

- 1 x 0E-HDMISP2 Splitter
- 1 x DC 5V Power Adapter with US Pins
- 2 x Mounting Brackets
- 1 x User Manual

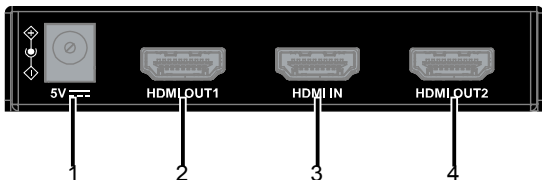
Panel

Front Panel



ID.	Name	Description
1	POWER LED	ON: Power is applied to the splitter. OFF: No power is applied to the splitter.
2	HDMI IN LED	ON: HDMI signal is detected on the HDMI input. OFF: No HDMI signal is detected on the HDMI input.
3	HDMI OUT LED (1-2)	ON: An HDMI display is connected to the HDMI output. OFF: No HDMI display is connected to the HDMI output.

Rear Panel



ID.	Name	Description
1	DC 5V	Connect the power supply provided.
2&4	HDMI OUT (1-2)	Connect to the HDMI display using an HDMI cable.
3	HDMI IN	Connect to the HDMI source using an HDMI cable.

Specification

Technical	
Input/Output Signal Type	HDMI with 4K@60Hz 4:4:4, HDCP 2.2, HDR, 3D, Scaler
Input/Output Resolution Supported	VESA: 800x600 ⁸ , 1024x768 ⁸ , 1280x768 ⁸ , 1280x800 ⁸ , 1280x960 ⁸ , 1280x1024 ⁸ , 1360x768 ⁸ , 1366x768 ⁸ , 1440x900 ⁸ , 1600x900 ⁸ , 1600x1200 ⁸ , 1680x1050 ⁸ , 1920x1200 ⁸ SMPTE: 720x480P ^{7,8} , 720x576P ⁶ , 1280x720P ^{6,7,8} , 1920x1080P ^{6,7,8} , 3840x2160P ^{2,3,5,6,8} , 4096x2160P ^{2,3,5,6,8} 1 = at 23.98 Hz, 2 = at 24 Hz, 3 = at 25 Hz, 4 = at 29.97 Hz, 5 = at 30 Hz, 6 = at 50 Hz, 7 = at 59.94 Hz, 8 = 60 Hz
Audio Format	Fully supports audio formats in HDMI 2.0 specification, including PCM, Dolby TrueHD, Dolby Atmos, DTS-HD Master Audio, DTS:X
Maximum Data Rate	18Gbps
HDR Format Supported	<ul style="list-style-type: none"> HDR 10

Technical	
	<ul style="list-style-type: none"> Dolby Vision
Maximum Pixel Clock	600MHz

General	
Operating Temperature	0°C to + 45°C (32 to + 113 °F)
Storage Temperature	-20 to +70°C (-4 to + 158 °F)
Humidity	20% to 90%, non-condensing
Surge Protection	Voltage: ±1 kV
ESD Protection	Human Body Model: ±8kV (air-gap discharge)/ ±4kV (contact discharge)
Power Supply	DC 5V 1A
Power Consumption (Max)	1.8W
Dimensions	10.0cm × 2.0cm × 6.52cm/ 3.94" x 0.79" x 2.57"
Product Weight	0.18kg/0.40lb

Transmission Distance

Cable Type	Range	Supported Video
HDMI	Input/Output: 15m/50ft	1080P@60Hz
	Input:10m/33ft	4K@30Hz
	Output: 15m/50ft	
	Input/Output: 5m/16ft	4K@60Hz

Installation and Wiring

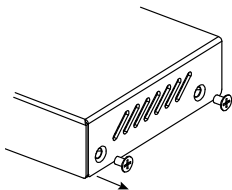
Brackets Installation

Note: Before installation, please ensure the device is disconnected from the power source.

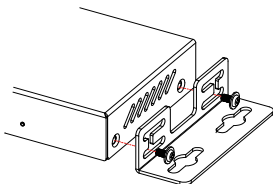
In order to keep elegant appearance, we design to share screws with the product chassis, please refer to the below steps to install.

Steps to install the device in a suitable location:

1. Remove the screws that secure the side panel to the device.



2. The bracket is attached to the enclosure as shown.



3. Repeat steps 1-2 for the other side of the unit.
4. Attach the brackets to the surface you want to hold the device against using the screws (provided by others).

Wiring

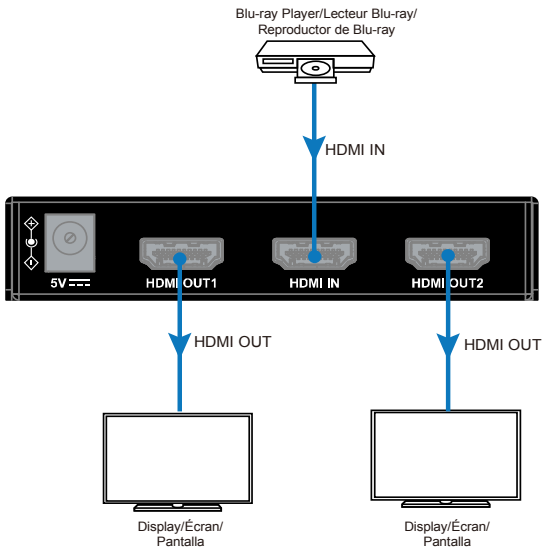
Warnings:

- Before wiring, disconnect the power from the device.
- During wiring, connect and disconnect the cables gently.

Steps for device installation:

1. Connect an HDMI source (such as Blu-ray player, games console, STB, Apple TV etc.) to the HDMI IN port of the splitter via an HDMI cable.
2. Connect HDMI displays to HDMI OUT.
3. Connect the power adapter provided to the unit.
4. Power on all attached devices.

When all is set, check if all LED indicators on the 0E-HDMISP2 are normal to ensure installation is successful. For LED indication, please refer to Panel section.



Troubleshooting

Most problems that occur are due to simple issues. If you have trouble, please check the list of simple fixes below.

1. No Power

- Ensure the power is on.
- Ensure you use the power adapter provided in the package.

2. No Picture or Video Flash

- Ensure all devices are on, and all cables are qualified and connected properly. Ensure all the cables' length are within the maximum distance (refer to Specification table).
- Ensure all the LED indicators are normal.
- When connecting source to display directly, ensure them can work properly.
- Ensure the input resolution is supported by the device.
- Ensure the input resolution is within 4K@30Hz when Dolby vision signal is input.

3. HDR Video Not Supported

Ensure the source and all displays support HDR. If any display doesn't support HDR, all outputs will not support HDR video.

4. Surround Audio Not Supported

Ensure the source and all displays support surround. If one display supports stereo only, all displays will output stereo audio.

Limited Warranty

1. Limited Warranty

a. General

Subject to the terms and conditions of this Limited Warranty, from the date of sale through the period of time for product categories specified in Section 1(b), ADI warrants AVARRO branded products to be free from defects in materials and workmanship under normal use and service, normal wear and tear excepted. Except as required by law, this Limited Warranty is only made to Buyer and may not be transferred to any third party.

ADI shall have no obligation under this Limited Warranty or otherwise if:

- (i) The product is improperly installed, applied or maintained;
- (ii) The product is installed outside of stated operating parameters, altered, or improperly services or repaired;
- (iii) Damage is caused by outside natural occurrences, such as lightning, power surges, fire, floods, acts of nature, or the like.
- (iv) Defects resulting from unauthorized modification, misuse, vandalism, or other causes unrelated to defective materials or workmanship, or failures related to batteries of any type used in connection with the products sold hereunder.

ADI only warrants those products branded AVARRO and sold by ADI. Any other products branded by third parties are warranted by the third-party manufacturer for a period as defined by the third-party manufacturer, and ADI assigns to Buyer those warranties and only those warranties extended by such third-party manufacturers or vendors for non-ADI branded products. ADI does not itself warrant any non-ADI branded product and sells only on an as is basis in accordance with ADI's terms and conditions of sale.

b. Specific Warranties for product categories are as follows:

Product Categories	Warranty Period
HDMI Distribution	2 years

2. EXCLUSION OF WARRANTIES, LIMITATION OF LIABILITY

THERE ARE NO WARRANTIES OR CONDITIONS, EXPRESS OR IMPLIED, OF MERCHANTABILITY, OR FITNESS FOR A PARTICULAR PURPOSE OR OTHERWISE, WHICH EXTEND BEYOND THE DESCRIPTION ON THE FACE HEREOF. TO THE FULLEST EXTENT PERMITTED BY LAW, IN NO CASE SHALL ADI BE LIABLE TO ANYONE FOR ANY (I) CONSEQUENTIAL, INCIDENTAL, INDIRECT, SPECIAL, OR PUNITIVE DAMAGES ARISING OUT OF OR RELATING IN ANY WAY TO THE PRODUCT AND/OR FOR BREACH OF THIS OR ANY OTHER WARRANTY OR CONDITION, EXPRESS OR IMPLIED, OR UPON ANY OTHER BASIS OF LIABILITY WHATSOEVER, EVEN IF THE LOSS OR DAMAGE IS CAUSED BY ADI'S OWN NEGLIGENCE OR FAULT AND EVEN IF ADI HAS BEEN ADVISED OF THE POSSIBILITY OF SUCH LOSSES OR DAMAGES. Any product description (whether in writing or made orally by ADI or ADI's agents), specifications, samples, models, bulletin, drawings, diagrams, engineering sheets, or similar materials used in connection with the Buyer's order are for the sole purpose of identifying ADI's products and shall not be construed as an express warranty or condition. Any suggestions by ADI or ADI's agents regarding use, applications or suitability of the products shall not be construed as an express warranty or condition unless confirmed to be such in writing by ADI. ADI does not represent that the products it sells may not be compromised or circumvented; that the products will prevent any personal injury or property loss by burglary, robbery, fire or otherwise, or that the products will in all cases provide adequate warning or protection. Buyer understands and will cause its customer to understand that a properly installed and maintained product is not insurance or guarantee that such will not cause or lead to personal injury or property loss. CONSEQUENTLY, ADI SHALL HAVE NO LIABILITY FOR ANY PERSONAL INJURY, PROPERTY DAMAGE OR OTHER LOSS BASED ON ANY CLAIM AT ALL INCLUDING A CLAIM THAT THE PRODUCT FAILED TO GIVE WARNING. However, if ADI is held liable whether directly or indirectly for any loss or damage with respect to the products it sells, regardless of cause or origin, its maximum liability shall not in any case exceed the purchase price of the product, which shall be fixed as liquidated damages and not as a penalty

and shall be the complete and exclusive remedy against ADI.

3. Limitation on Liability to Buyer's Customers.

Buyer agrees to limit liability to its customers to the fullest extent permitted by law. Buyer acknowledges that ADI shall only be deemed to give consumers of its products such statutory warranties as may be required by law and at no time shall Buyer represent to its customers and/or users of ADI products that ADI provides any additional warranties. By accepting the products, to the fullest extent permitted by law, Buyer assumes all liability for, and agrees to indemnify and hold ADI harmless against and defend ADI from, any and all suits, claims, demands, causes of action and judgments relating to damages, whether for personal injury or to personal property, suffered by any person, firm, corporation or business association, including but not limited to, Buyer's customers and/or users of the products because of any failure of the products to detect and/or warn of the danger for which the goods were designed or any other failure of the products whether or not such damages are caused or contributed to by the sold or joint concurring negligence or fault of ADI.

4. Returns

Subject to the terms and conditions listed below, during the applicable warranty period, ADI will replace Product or provide a credit at purchase at its sole option free of charge any defective products returned prepaid. Any obligations of ADI to replace Limited Lifetime warranty products pursuant to this warranty which result from defect are limited to the availability of replacement product. ADI reserves the right to replace any such products with the then currently available products, or provide a credit in its sole discretion. In the event Buyer has a problem with any ADI product, please call your local ADI branch for return instructions:

For US call 1-800-233-6261

For Canada call 877-234-7378

For Puerto Rico call 787-793-8830

Be sure to have the model number and the nature of the problem available. In the event of replacement, the return product will be credited to Buyer's account and a new invoice issued for the replacement item. ADI reserves the right to issue a credit only in lieu of replacement.

If any AVARRO branded products are found to be in good working order or such product's inability to function properly is a result of user damage or abuse, the product will be returned to Buyer in the same condition as received and Buyer shall be responsible for any return freight changes.

5. Governing Law

The laws of State of New York apply to this Limited Warranty.

6. Miscellaneous

Where any term of this Limited Warranty is prohibited by such laws, it shall be null and void, but the remainder of the Limited Warranty shall remain in full force and effect.

Introduction

Aperçu

Le 0E-HDMISP2 est un séparateur HDMI 1x2 avec convertisseur; distribue de manière fiable un signal d'entrée HDMI vers deux sorties à des résolutions pouvant atteindre 4K à 60 Hz, avec échantillonnage de la chrominance 4:4:4. Il est conforme aux spécifications HDCP 2.2 et HDMI 2.0b, y compris la prise en charge de taux de données atteignant 18 Go/s, HDR (gamme dynamique élevée), ainsi que les formats audio 3D et HD sans perte.

Avec le convertisseur intégré, et lorsque connecté à deux écrans, la sortie HDMI correspondante peut être automatiquement mise à l'échelle (jusqu'à 1080p) pour optimiser le signal de sortie à l'écran approprié.

Le séparateur permet une gestion HDCP authentifiant le chiffrement HDCP entre les appareils en continu, assurant l'affichage du bon contenu sur chaque écran. Il comprend également l'égalisation automatique du câble d'entrée, conditionne activement les signaux HDMI pour compenser les pertes de signal lors de l'utilisation de câbles longs ou de configurations à plusieurs unités en cascade.

Caractéristiques

- Distribue un signal d'entrée HDMI à deux écrans HDMI
- Prise en charge des spécifications HDMI 2.0b, y compris :
 - taux de données atteignant 18,0 Go/s
 - Formats audio 3D
 - HDR
 - HD sans perte
- Compatible HDCP 2.2
- Chaque sortie HDMI prend en charge à mise à l'échelle descendante jusqu'à 1080p (individuellement) (les images par

seconde ne changent pas lors de la mise à l'échelle de 4K à 1080p)

- Voyant DEL sur le panneau avant pour les entrées/sorties et la connectivité de l'alimentation
- Égalisation du câble d'entrée et compensation de régénération de signal automatiques

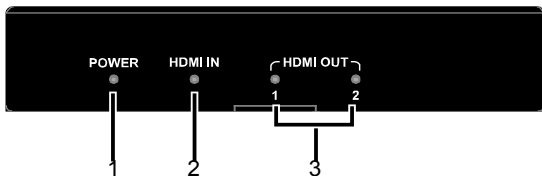
Contenu

Avant de commencer l'installation de ce produit, veuillez vérifier le contenu de l'emballage:

- 1 x séparateur 0E-HDMISP2
- 1 x adaptateur d'alimentation à broches américaines (5 V/1 A CC)
- 2 supports de montage
- 1 manuel d'utilisation

Panneau

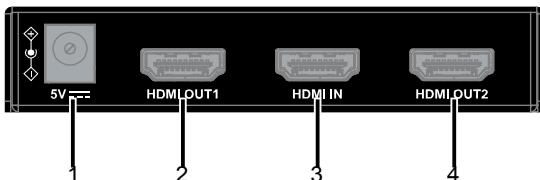
Panneau avant



Réf.	Nom	Description
1	Voyant d'alimentation	« On » (actif) : Le séparateur est sous tension. « Off » (désactivé) : Le séparateur est hors tension.
2	Voyant HDMI IN (ENTRÉE HDMI)	« On » (actif) : Un signal HDMI est détecté sur l'entrée HDMI. « Off » (désactivé) : Aucun signal HDMI n'est détecté sur l'entrée HDMI.

Réf.	Nom	Description
3	VOYANT HDMI OUT (1-2) (SORTIE HDMI)	<p>« On » (activé) : Un écran HDMI est raccordé à la sortie HDMI.</p> <p>« Off » (désactivé) : Aucun écran HDMI n'est raccordé à la sortie HDMI.</p>

Panneau arrière



Réf.	Nom	Description
1	5 VCC	Connecter le bloc d'alimentation fourni.
2 et 4	HDMI OUT (1-2) (SORTIE HDMI)	Connecter à l'écran HDMI avec un câble HDMI.
3	HDMI IN (ENTRÉE HDMI)	Connecter à une source HDMI avec un câble HDMI.

Spécifications

Caractéristiques techniques	
Type de signal d'entrée/de sortie	HDMI avec 4K à 60 Hz, 4:4:4, HDCP 2.2, HDR, 3D, convertisseur
Résolution d'entrée/de sortie prise en charge	<p>VESA :</p> <p>800x600⁸, 1024x768⁸, 1280x768⁸, 1280x800⁸, 1280x960⁸, 1280x1024⁸, 1360x768⁸, 1366x768⁸, 1440x900⁸, 1600x900⁸, 1600x1200⁸, 1680x1050⁸, 1920x1200⁸</p> <p>SMPTE :</p> <p>720x480P^{7,8}, 720x576P⁶, 1280x720P^{6,7,8}, 1920x1080P^{6,7,8}, 3840x2160P^{2,3,5,6,8}, 4096x2160P^{2,3,5,6,8}</p>

Caractéristiques techniques

	1 = à 23,98 Hz, 2 = à 24 Hz, 3 = à 25 Hz, 4 = à 29,97 Hz, 5 = à 30 Hz, 6 = à 50 Hz, 7 = à 59,94 Hz, 8 = 60 Hz
Format audio	Prise en charge complète des formats audio de la spécification HDMI 2.0, dont PCM, Dolby TrueHD, Dolby Atmos, DTS-HD Master Audio, DTS:X
Débit de données maximal	18 Go/s
Format HDR pris en charge	<ul style="list-style-type: none">HDR 10Dolby Vision
Horloge de pixels maximale	600MHz

Général

Température de service	32 à 113 °F (0 à 45 °C)
Température de stockage	-4 à 158 °F (-20 à 70 °C)
Humidité	10 % à 90 % (sans condensation)
Protection DES	Modèle du corps humain : ±8 kV (décharge d'entrefer)/ ± 4 kV (décharge sur contact)
Alimentation	5 VCC, 1 A
Consommation d'énergie (max.)	1,8W
Dimensions	10,0 cm x 2,0 cm x 6,52 cm /3,94 po x 0,79 po x 2,57 po
Poids net	0,18 kg/0,40 lb

Distance de transmission

Type de câble	à portée	Vidéo prise en charge
HDMI	Entrée/sortie : 15 m/50 pi	1080P à 60 Hz
	Entrée : 10 m/33 pi Sortie : 15 m/50 pi	4K à 30Hz
	Entrée/sortie : 5 m/16 pi	4K à 60 Hz

Installation et câblage

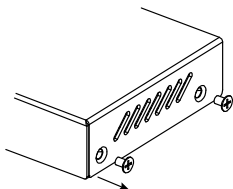
Installation des supports

Remarque: Avant l'installation, assurez-vous que l'appareil n'est pas branché à une source d'alimentation.

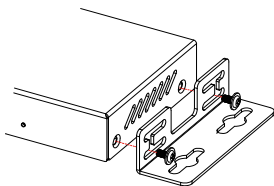
Afin de maintenir son aspect élégant, nous l'avons conçu pour qu'il puisse partager les vis du châssis. Veuillez vous reporter aux étapes ci-dessous pour l'installation.

Étapes de pose de l'appareil à un endroit approprié:

1. Déposer les vis fixant le panneau latéral sur l'appareil.



2. Le support est fixé au bâti comme illustré.



3. Répétez les étapes 1 et 2 pour l'autre côté de l'unité.
4. Posez et fixez l'unité dans le bâti à l'aide des vis de fixation.

Câblage

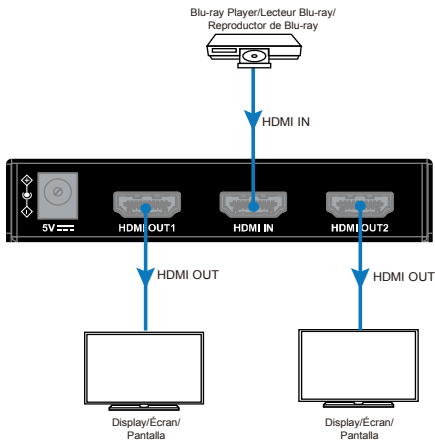
Avertissements:

- Avant de commencer le câblage, coupez l'alimentation de tous les appareils.
- Durant le câblage, prenez soin lorsque vous branchez et débranchez les câbles.

Étapes de pose de l'appareil:

1. Utilisez un câble HDMI pour brancher une source HDMI (comme un lecteur Blu-ray, une console de jeu, STB, Apple TV, etc.) au port HDMI IN du séparateur.
2. Branchez les écrans HDMI aux ports HDMI OUT.
3. Branchez l'adaptateur d'alimentation fourni avec l'unité.
4. Alimentez tous les appareils connectés.

Une fois l'installation terminée, vérifiez si les voyants DEL du 0E-HDMISP2 indiquent un état normal. Ceci permet de confirmer la réussite de l'installation. Pour connaître la signification des voyants DEL, reportez-vous au chapitre Panneau.



Dépannage

La plupart des problèmes qui surviennent ont une explication simple. Si vous rencontrez des problèmes, consultez la liste des solutions simples ci-dessous.

1. Aucune alimentation

- Vérifiez que l'appareil est sous tension.
- Assurez-vous d'utiliser l'adaptateur d'alimentation fourni dans l'emballage.

2. Aucune image ni vidéo

- Assurez-vous que tous les appareils sont sous tension et que les câbles sont compatibles et correctement branchés. Assurez-vous que la longueur des câbles respecte la distance maximale (reportez-vous au tableau des Spécifications).
- Assurez-vous que tous les voyants indiquent un fonctionnement normal.
- Lors d'un raccordement direct entre la source et l'écran, assurez-vous de leur bon fonctionnement.
- Assurez-vous que la résolution d'entrée est prise en charge par l'appareil.
- Assurez-vous que la résolution d'entrée est à 4K à 30 Hz avec un signal Dolby Vision comme entrée.

3. Signal vidéo HDR non pris en charge

Assurez-vous que la source et tous les écrans prennent le format HDR en charge. Si un des écrans ne prend pas le format HDR en charge, aucune des sorties ne le prendra en charge.

4. Son ambiophonique non pris en charge

Assurez-vous que la source et tous les écrans prennent le son ambiophonique HDR en charge. Si un des écrans ne prend que le son stéréo en charge, tous les écrans feront de même.

Garantie limitée

1. Garantie limitée

a. Général

Soumis aux conditions générales de cette garantie limitée à partir de la date de vente pour la durée des catégories de produits définies à la section 1(b), ADI garantit que ses produits AVARRO sont exempts de défauts de matériel et de fabrication selon un usage normal, à l'exception d'une usure normale. Sauf si la loi l'exige, la présente garantie limitée est offerte uniquement à l'acheteur et ne peut être transférée à un tiers.

En vertu de la présente garantie limitée et autre obligation, ADI n'endossera aucune responsabilité dans les cas suivants :

- (i) le produit est mal installé, mal appliqué ou mal entretenu;
- (ii) le produit est installé de manière non conforme aux paramètres d'utilisation indiqués, est modifié ou est mal entretenu ou réparé;
- (iii) le produit est endommagé suite à des phénomènes naturels extérieurs comme la foudre, une surcharge électrique, un incendie, une inondation, un acte de la nature ou un phénomène similaire;
- (iv) les défauts du produit sont le résultat d'une modification non autorisée, d'une mauvaise utilisation, d'un acte de vandalisme ou d'autres causes non liés aux vices de matériaux ou de fabrication, ou à une défaillance des piles de quelque type que ce soit utilisées avec les produits vendus aux termes des présentes.

ADI garantit uniquement les produits portant la marque AVARRO et vendus par ADI. Les autres produits portant une marque de tiers sont garantis par le fabricant tiers pendant une période définie par ce dernier, et ADI cède à l'acheteur ces garanties et uniquement les garanties offertes par ces fabricants tiers ou vendeurs à l'égard de produits ne portant pas ses marques. ADI ne garantit pas de produits ne portant pas ses marques et vend ces produits tels quels, conformément à ses modalités de vente.

- b. Les garanties particulières applicables aux catégories de produits sont les suivantes :

Catégories de produits	Période de garantie
Distribution HDMI	Garantie 2 ans

2. EXCLUSION DE GARANTIES ET LIMITATION DE RESPONSABILITÉ

AUCUNE GARANTIE OU CONDITION, EXPRESSE OU IMPLICITE DE QUALITÉ MARCHANDE OU D'ADAPTABILITÉ À UN USAGE PARTICULIER N'EST OFFERTE, OUTRE LA DESCRIPTION CI-PRÉSENTE. DANS LA PLEINE MESURE PERMISE PAR LA LOI, ADI NE SAURAIT EN AUCUN CAS ÊTRE TENUE RESPONSABLE ENVERS QUICONQUE DES DOMMAGES CONSÉCUTIFS, INDIRECTS, SPÉCIAUX OU PUNITIFS DÉCOULANT DU PRODUIT OU LIÉS À CELUI-CI DE QUELQUE FAÇON QUE CE SOIT ET/OU DU NON-RESPECT DE LA PRÉSENTE GARANTIE OU DE TOUTE AUTRE GARANTIE OU CONDITION, EXPRESSE OU IMPLICITE, OU DE TOUTE AUTRE RÉCLAMATION FONDÉE SUR LA RESPONSABILITÉ, MÊME SI LA PERTE OU LES DOMMAGES SONT CAUSÉS PAR LA NÉGLIGENCE OU LA FAUTE D'ADI ET MÊME SI CETTE DERNIÈRE A ÉTÉ AVISÉE DE LA POSSIBILITÉ QUE DE TELLES PERTES OU DE TELS DOMMAGES SURVIENNENT. Les descriptions de produits (fournies par écrit ou verbalement par ADI ou ses mandataires), caractéristiques techniques, échantillons, modèles, bulletins, dessins, diagrammes, esquisses techniques ou documents similaires utilisés par l'acheteur pour passer une commande visent uniquement à décrire les produits d'ADI et ne doivent pas être interprétés comme des garanties ou conditions expresses. Les suggestions faites par ADI ou ses mandataires au sujet de l'utilisation, de l'application ou du caractère approprié des produits ne doivent pas être interprétées comme des garanties ou conditions expresses, sauf si ADI confirme par écrit qu'il s'agit de garanties ou de conditions expresses. ADI ne garantit pas qu'il n'y aura aucune atteinte à l'intégrité des produits qu'elle vend ou que les produits qu'elle vend ne seront pas contournés, qu'ils préviendront les blessures ou les pertes matérielles en cas de cambriolage, de vol, d'incendie ou autrement ou qu'ils constitueront dans tous les cas une protection ou un

avertissement approprié. L'acheteur comprend qu'un produit dûment installé et entretenu permet uniquement de réduire le risque de cambriolage, de vol ou d'incendie sans avertissement, mais qu'il ne constitue pas une assurance ou une garantie qu'un tel événement ne se produira pas ou qu'il n'entraînera pas des blessures ou des pertes matérielles. PAR CONSÉQUENT, ADI NE SAURAIT ÊTRE TENUE RESPONSABLE DES BLESSURES, DES DOMMAGES MATÉRIELS OU D'AUTRES PERTES FAISANT L'OBJET D'UNE RÉCLAMATION, Y COMPRIS UNE RÉCLAMATION SELON LAQUELLE LE PRODUIT N'AURAIT PAS DONNÉ DE SIGNAL D'AVERTISSEMENT. Toutefois, si ADI est tenue responsable, directement ou indirectement, de pertes ou de dommages à l'égard des produits qu'elle vend, quelle qu'en soit la cause ou l'origine, sa responsabilité n'excédera en aucun cas le prix d'achat du produit, dont le remboursement sera exigé à titre de dommages-intérêts extrajudiciaires et non d'amende, et il s'agira du recours exclusif et intégral pouvant être exercé contre ADI.

3. Limitation de la responsabilité envers les clients de l'acheteur.

L'acheteur accepte de limiter la responsabilité à ses clients dans la pleine mesure permise par la loi. L'acheteur reconnaît qu'ADI ne sera réputée avoir fourni aux consommateurs de ses produits que les garanties qui sont exigées par la loi. L'acheteur ne doit en aucun cas déclarer à ses clients et/ou aux utilisateurs des produits d'ADI que cette dernière offre d'autres garanties. Par l'acceptation des produits, l'acheteur assume, dans la pleine mesure permise par la loi, la pleine responsabilité à l'égard de toutes les poursuites, réclamations, mises en demeure et causes d'action et à l'égard de tous les jugements se rapportant à des dommages-intérêts, que ce soit pour des préjudices personnels ou des dommages matériels, subis par une personne, une firme, une société ou une association commerciale, y compris les clients de l'acheteur et/ou les utilisateurs des produits, en raison de toute omission de la part des produits de déceler le danger pour la détection duquel ils sont conçus et/ou de donner l'alerte de ce danger ou un avertissement de toute autre défaillance des produits, que ces dommages aient été causés par la négligence dont ADI est l'auteur ou le coauteur, et il tiendra ADI à couvert à cet égard et prendra fait et

cause pour lui.

4. Retours

Sous réserve des conditions générales énumérées ci-dessous et durant la période de garantie applicable, ADI remplacera ou créditera tout produit défectueux retourné port payé à sa seule discrétion et sans frais. L'obligation qui incombe à ADI de remplacer le produit visé par une garantie à vie limitée aux termes de la garantie en question si celui-ci est défectueux se limite à la disponibilité d'un produit de remplacement. ADI se réserve le droit de remplacer un produit défectueux par le produit qui est disponible à ce moment-là, ou de donner une note de crédit, à son gré. Si l'acheteur a un problème avec un produit d'ADI, il doit appeler sa succursale ADI locale pour connaître la marche à suivre pour retourner le produit.

Aux États-Unis, composer le 1 800 233-6261

Au Canada, composer le 877 234-7378

À Porto Rico, composer le 787 793-8830

N'oubliez pas d'avoir en main le numéro de modèle et la nature du problème. En cas de remplacement, le prix du produit retourné sera porté au crédit du compte de l'acheteur et une nouvelle facture sera établie pour le produit de remplacement. ADI se réserve le droit de donner une note de crédit plutôt que de remplacer le produit.

Si l'on établit que le produit AVARRO n'est pas défectueux ou que son mauvais fonctionnement résulte d'une utilisation abusive ou de dommages causés par l'utilisateur, le produit sera retourné à l'acheteur dans le même état que celui dans lequel il a été reçu et l'acheteur devra acquitter les frais de transport.

5. Droit applicable

Les lois de l'État de New York s'appliquent à la présente garantie limitée.

6. Divers

Si une modalité de la présente garantie limitée est interdite par ces lois, elle sera nulle, mais le reste de la présente garantie limitée demeurera pleinement en vigueur.

Introducción

Descripción

El 0E-HDMISP2 es un divisor HDMI 1 x 2 con escalador, que distribuye de forma fiable una señal de entrada HDMI a dos salidas con resoluciones de hasta 4K@60Hz 4:4:4 submuestreo de crominancia. Sigue las especificaciones HDCP 2.2 y HDMI 2.0b, que incluyen velocidades de datos compatibles de hasta 18 Gbps, HDR (alto rango dinámico), 3D y formatos de audio HD sin pérdidas.

Con el escalador incorporado, cuando se conecta a dos pantallas diferentes, la salida HDMI correspondiente es capaz de reducir la escala automáticamente (hasta 1080p) para alimentar una señal de salida óptima a su pantalla adjunta.

El divisor proporciona una gestión HDCP que autentifica continuamente la codificación HDCP entre todos los dispositivos, garantizando que el contenido de la fuente sea correcto en cada pantalla. También cuenta con ecualización automática del cable de entrada, que condiciona activamente las señales HDMI de entrada para compensar la pérdida de señal cuando se usan cables largos o se conectan varias unidades en cascada.

Características

- Distribuye una fuente HDMI a dos pantallas HDMI.
- Admite las especificaciones de HDMI 2.0b, que incluyen:
 - Velocidades de datos de hasta 18,0 Gbps
 - 3D
 - HDR
 - Formatos de audio HD sin pérdidas
- Compatible con HDCP 2.2

- Cada salida HDMI admite la reducción de escala a 1080p de forma individual (el fps no cambiará durante la reducción de escala de 4K a 1080p)
- Indicador LED del panel frontal para la conectividad de E/S y corriente
- Ecuilización automática del cable de entrada para compensar la regeneración de la señal

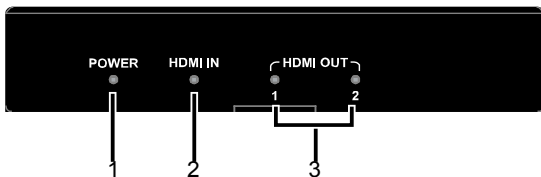
Contenido del paquete

Antes de comenzar a instalar el producto, verifique el contenido del paquete:

- 1 0E-HDMISP2
- 1 adaptador de CC de 5 V con pines para EE. UU.
- 2 soportes de montaje
- 1 manual del usuario

Panel

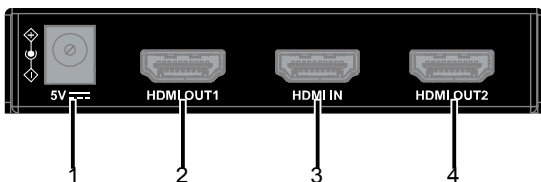
Panel frontal



N.º	Nombre	Descripción
1	LED DE ALIMENTACIÓN	Encendido: Se aplica energía al divisor. Apagado: No se aplica energía al divisor.
2	HDMI IN LED	Encendido: Se detecta la señal HDMI en la entrada HDMI. Apagado: No se detecta ninguna señal HDMI en la entrada HDMI.

N.º	Nombre	Descripción
3	HDMI OUT LED (1-2)	Encendido: Una pantalla HDMI está conectada a la salida HDMI. Apagado: No hay ninguna pantalla HDMI conectada a la salida HDMI.

Panel trasero



N.º	Nombre	Descripción
1	DC 5V	Conectar al adaptador de corriente provisto.
2 y 4	HDMI OUT (1-2)	Conéctese a pantallas HDMI como TV.
3	HDMI IN	Conectar a una fuente HDMI.

Especificaciones

Técnica	
Tipo de señal de entrada/salida	HDMI con 4K a 60Hz 4:4:4, HDCP 2.2, HDR, 3D, escalador
Resolución de entrada/salida admitida	<p>VESA: 800x600⁸, 1024x768⁸, 1280x768⁸, 1280x800⁸, 1280x960⁸, 1280x1024⁸, 1360x768⁸, 1366x768⁸, 1440x900⁸, 1600x900⁸, 1600x1200⁸, 1680x1050⁸, 1920x1200⁸</p> <p>SMPTE: 720x480P^{7,8}, 720x576P⁶, 1280x720P^{6,7,8}, 1920x1080P^{6,7,8}, 3840x2160P^{2,3,5,6,8}, 4096x2160P^{2,3,5,6,8}</p> <p>1 = a 23.98 Hz, 2 = a 24 Hz, 3 = a 25 Hz, 4 = a 29.97 Hz, 5 = a 30 Hz, 6 = a 50 Hz, 7 = a 59.94 Hz, 8 = a 60 Hz</p>

Técnica	
Formato de audio admitido	HDMI: Admite sin problemas formatos de audio en especificación HDMI 2.0, incluidos PCM, Dolby TrueHD, Dolby Atmos, DTS-HD Master Audio, DTS:X.
Velocidad máxima de datos	18Gbps
Formato HDR compatible	HDR 10, Dolby Vision
Reloj de píxeles máximo	600MHz

General	
Temperatura operativa	De 0 °C a 45 °C (32 °F a 113 °F)
Temperatura de almacenamiento	De -20 °C a 70 °C (-4 °F a 158 °F)
Humedad	De 10 % a 90 %, sin condensación
ESD Protection	Modelo de cuerpo humano ± 8 kV (descarga por espacio de aire)/ ± 4kV (descarga por contacto)
Fuente de alimentación	DC 5V 1A
Consumo de energía (máx.)	1.8 W
Medidas del dispositivo (ancho x altura x profundidad)	10.0 cm x 2.0 cm x 6.52 cm/ 3.94" x 0.79" x 2.57"
Peso del producto	0.18 kg/0.40 lb

Distancia de la transmisión

Tipo de cable	Rango	Video admitido
HDMI	De entrada y salida: 15 m/50 pies	1080P a 60Hz
	Entrada:10 m/33 pies	4K a 30Hz
	Salida: 15 m/50 pies	
	De entrada y salida:5m/16 pies	4K a 60Hz

Instalación y cableado

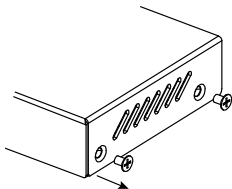
Instalación de los soporte

Nota: Antes de la instalación, asegúrese de que el dispositivo esté desconectado de la fuente de alimentación.

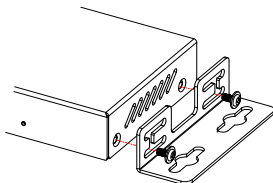
Con el fin de mantener una apariencia elegante, diseñamos para compartir los tornillos con la carcasa del producto. Refiérase a los siguientes pasos para instalar.

Pasos para instalar el dispositivo en un lugar adecuado:

1. Retire los tornillos que fijan el panel lateral al dispositivo.



2. El soporte se fija a la caja como se muestra.



3. Repita los pasos 1 y 2 para el otro lado de la unidad.
4. Monte y fije la unidad en el soporte en bastidor con los tornillos de montaje.

Cableado

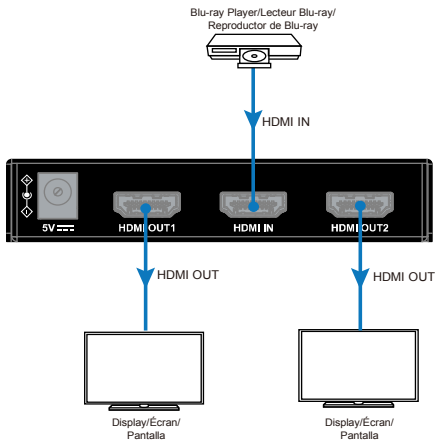
Advertencias:

- Antes de cablear, desconectar el equipo de la fuente de alimentación.
- Durante el cableado, conectar y desconectar los cables con cuidado.

Pasos para instalar el dispositivo en un lugar adecuado:

1. Conectar una fuente HDMI (Apple TX, STB, reproductor multimedia, reproductor de Blu-ray, etc.) al puerto de entrada HDMI IN.
2. Conectar el dispositivo de pantalla HDMI (como televisor, proyector, pantalla LED/LCD) a la salida HDMI 1 a la 2.
3. Conectar el adaptador de corriente provisto al unidad
4. Encender todos los dispositivos conectados.

Cuando todo esté listo, compruebe si todos los indicadores LED del 0E-HDMIEXP2 están normales para asegurarse de que la instalación se ha realizado correctamente. Para ver la indicación de los LED, consulte la sección del panel.



Solución de problemas

La mayoría de los problemas se deben a cuestiones sencillas. Si tiene problemas, consulte la siguiente lista de soluciones sencillas.

1. No hay corriente

- Asegúrese de que la corriente esté encendida.
- Asegúrese de utilizar el adaptador de corriente incluido en el paquete.

2. No hay imagen ni video flash

- Asegúrese de que todos los dispositivos estén encendidos y que todos los cables sean los adecuados y estén conectados correctamente. Asegúrese de que la longitud de todos los cables esté dentro de la distancia máxima (consulte la tabla Especificaciones).
- Asegúrese de que todos los indicadores LED estén normales.
- Cuando conecte la fuente a la pantalla directamente, asegúrese de que pueden funcionar bien.
- Asegúrese de que la resolución de entrada es compatible con el dispositivo.
- Asegúrese de que la resolución de entrada esté dentro de 4K@30Hz cuando ingresa la señal de visión Dolby.

3. Video HDR no compatible

Asegúrese de que la fuente y todas las pantallas sean compatibles con HDR. Si alguna pantalla no admite HDR, ninguna salida admitirá video HDR.

4. No admite audio envolvente

Asegúrese de que la fuente y todas las pantallas sean compatibles con el sonido envolvente. Si una de las pantallas solo admite sonido estéreo, todas las pantallas emitirán sonido estéreo.

Garantía limitada

1. Garantía limitada

a. General

Sujeto a los términos y condiciones de esta Garantía limitada, desde la fecha de venta hasta el período correspondiente a las categorías de productos especificadas en la Sección 1(b), ADI garantiza que los productos de la marca AVARRO están libres de defectos en los materiales y de mano de obra en condiciones de uso y servicio normales, excepto por el desgaste normal. Salvo que lo exija la ley, esta Garantía limitada se otorga únicamente al Comprador y no puede ser cedida a ningún tercero.

ADI no tendrá ninguna obligación en virtud de esta Garantía limitada ni de ningún otro concepto si:

- (i) El producto se instala, aplica o mantiene de manera incorrecta.
- (ii) El producto se instala fuera de los parámetros de funcionamiento indicados, se altera o es objeto de mantenimiento o reparaciones inadecuados.
- (iii) El daño es causado por sucesos naturales externos, como rayos, sobrecargas eléctricas, incendios, inundaciones, fenómenos de la naturaleza o similares.
- (iv) Los defectos son consecuencia de modificaciones no autorizadas, uso indebido, vandalismo u otras causas no relacionadas con materiales defectuosos ni con defectos de fabricación, o fallas relacionados con baterías de cualquier tipo utilizadas con los productos vendidos según el presente documento.

ADI solo garantiza los productos de la marca AVARRO y vendidos por ADI. Cualquier otro producto con marca de terceros está garantizado por el fabricante externo por un período definido por ese fabricante, y ADI asigna al Comprador esas garantías y solo las garantías otorgadas por dichos fabricantes o proveedores externos para los productos que no son de marca ADI. ADI no garantiza por sí misma ningún producto que no sea de la marca ADI y solo lo

vende "tal como está", de acuerdo con los términos y condiciones de venta de ADI.

b. Las garantías específicas para las categorías de productos son las siguientes:

Categorías de productos	Período de garantía
Distribución HDMI	2 años

2. EXCLUSIÓN DE GARANTÍAS, LIMITACIÓN DE RESPONSABILIDAD

NO EXISTEN GARANTÍAS NI CONDICIONES, EXPRESAS O IMPLÍCITAS, DE COMERCIALIZACIÓN O IDONEIDAD PARA UN FIN DETERMINADO O DE OTRO TIPO, QUE VAYAN MÁS ALLÁ DE LA DESCRIPCIÓN QUE FIGURA EN EL PRESENTE DOCUMENTO. EN LA MEDIDA EN QUE LO PERMITA LA LEY, EN NINGÚN CASO ADI SERÁ RESPONSABLE ANTE NADIE DE NINGÚN DAÑO (I) CONSECUENTE, INCIDENTAL, INDIRECTO, ESPECIAL O PUNITIVO QUE SURJA O SE RELACIONE DE ALGUNA MANERA CON EL PRODUCTO Y/O DEL INCUMPLIMIENTO DE ESTA O CUALQUIER OTRA GARANTÍA O CONDICIÓN, EXPRESA O IMPLÍCITA, O SOBRE CUALQUIER OTRA BASE DE RESPONSABILIDAD, AUNQUE LA PÉRDIDA O EL DAÑO SEA CONSECUENCIA DE LA PROPIA NEGLIGENCIA O CULPA DE ADI, Y AUNQUE ADI HAYA SIDO ADVERTIDA DE LA POSIBILIDAD DE TALES PÉRDIDAS O DAÑOS. Cualesquiera sean la descripción del producto (expresada por escrito u oralmente por ADI o por los representantes de ADI), las especificaciones, las muestras, los modelos, el anuncio, los dibujos, los diagramas, las hojas de ingeniería o materiales similares utilizados en relación con el pedido del Comprador tienen el único propósito de identificar los productos de ADI y no se interpretarán como una garantía o condición expresa. Cualquier sugerencia de ADI o de los representantes de ADI en relación con el uso, las aplicaciones o la idoneidad de los productos no se interpretará como una garantía o condición expresa, a menos que ADI la confirme como tal por escrito. ADI no garantiza que los productos que vende no puedan verse comprometidos ni alterados; que los productos impedirán cualquier daño personal o pérdida de propiedad por robo, hurto, incendio u otro motivo, o que los productos proporcionarán en

todos los casos la advertencia o protección adecuada. El Comprador entiende y hará entender a su cliente que un producto correctamente instalado y mantenido no constituye un seguro ni una garantía de que no causará ni provocará daños personales o pérdidas materiales. EN CONSECUENCIA, ADI NO TENDRÁ NINGUNA RESPONSABILIDAD DE LESIONES PERSONALES, DAÑOS A LA PROPIEDAD O CUALQUIER OTRA PÉRDIDA BASADA EN CUALQUIER RECLAMACIÓN, INCLUIDA LA RECLAMACIÓN DE QUE EL PRODUCTO NO HAYA DADO ADVERTENCIA. Sin embargo, si ADI es responsable, directa o indirectamente, de cualquier pérdida o daño con respecto a los productos que vende, independientemente de la causa o el origen, su responsabilidad máxima no superará en ningún caso el precio de compra del producto, que se fijará como daños liquidados y no como una penalización, y constituirá la única y toda medida de reparación contra ADI.

3. Limitación de la responsabilidad ante los clientes del Comprador.

El Comprador se compromete a limitar la responsabilidad ante sus clientes en la medida en que lo permita la ley. El Comprador reconoce que solo se considerará que ADI da a los consumidores de sus productos las garantías legales que puedan ser exigidas por la ley y en ningún momento el Comprador manifestará a sus clientes y/o usuarios de los productos de ADI que ADI otorga alguna garantía adicional. Al aceptar los productos, en la medida en que lo permita la ley, el Comprador asume toda la responsabilidad de, y acepta indemnizar y eximir a ADI de responsabilidad y defenderla de, cualesquier y todos los juicios, reclamos, demandas, causas de acción y sentencias relacionadas con daños, ya sea por lesiones personales o a la propiedad personal, sufridos por cualquier persona, firma, corporación o asociación comercial, e incluye, entre otros, a los clientes del Comprador y/o los usuarios de los productos debido a cualquier incumplimiento de los productos en cuanto a detectar y/o advertir del peligro para el cual los bienes fueron diseñados o cualquier otro incumplimiento de los productos, sin importar si la negligencia o culpa individual, colectiva o concomitante de ADI hayan causado o contribuido a tales daños.

4. Devoluciones

Sujeto a los términos y condiciones que se enuncian a continuación, durante el período de garantía aplicable, ADI reemplazará el producto u otorgará un crédito en la compra, a su sola opción, sin cargo alguno, por cualquier producto defectuoso devuelto con franqueo pagado. Cualquier obligación de ADI de reemplazar los productos de la garantía limitada de por vida en virtud de esta garantía que resulte de un defecto está limitada a la disponibilidad del producto de reemplazo. ADI se reserva el derecho de reemplazar cualquiera de esos productos por los productos disponibles en ese momento, o proporcionar un crédito a su entera discreción. En el caso de que el Comprador tenga un problema con cualquier producto de ADI, debe llamar a su sucursal local de ADI a fin de recibir instrucciones para hacer la devolución:

Para Estados Unidos, llame al 1-800-233-6261

Para Canadá, llame al 877-234-7378

Para Puerto Rico, llame al 787-793-8830

Asegúrese de tener a mano el número de modelo y la naturaleza del problema. En caso de reemplazo, el producto devuelto se acreditará en la cuenta del Comprador y se emitirá una nueva factura por el artículo de reemplazo. ADI se reserva el derecho de emitir un crédito solo a cambio del reemplazo.

Si se determina que cualquier producto de la marca AVARRO se encuentra en buen estado de funcionamiento o que la incapacidad de dicho producto para funcionar correctamente es el resultado de daño o uso indebido por parte del usuario, el producto será devuelto al Comprador en las mismas condiciones en que lo recibió y el Comprador será responsable de cualquier costo de envío de la devolución.

5. Ley competente

Esta Garantía Limitada se rige por las leyes del estado de Nueva York.

6. Varios

Cuando dichas leyes prohíban algún término de esta Garantía limitada, este será considerado nulo y sin efecto, pero el resto de la Garantía limitada seguirá teniendo pleno vigor y efecto.

