



Table of Contents

Introduction	2
Overview	2
Features	2
Package Contents	3
Panel	3
Transmitter	3
Receiver	5
Specification	6
Wiring	7
Troubleshooting.....	11
Limited Warranty	13
Introduction	17
Aperçu.....	17
Caractéristiques.....	17
Contenu.....	18
Panneau	18
Transmetteur.....	18
Récepteur	20
Spécifications	21
Cableado	23
Dépannage	27
Garantie limitée	29
Introducción	33
Descripción	33
Características	33
Contenido del paquete	34
Panel	34
Transmisor	34
Receptor	36
Especificaciones	37
Cableado	38
Solución de problemas	41
Garantía limitada	43

Introduction

Overview

0E-HDMIEXT4K is a slim transmitter receiver pair which is designed to extend HDMI 1080P@60Hz signals up to 70 m and 4K@60Hz (4:2:0) signals up to 40m via a single Cat 6a/7 cable. The transmitter can supply the power for the receiver. You can control the source from the display's location or control the display from source's location via IR pass-through function. The transmitter and receiver are easy to install. They are space saving and offer solutions for home, office, digital entertainment centers, control centers, conference rooms, school, and corporate training environments.

Features

- Slim appearance and space saving
- Bi-directional PoE, only one power adapter is needed.
- Via Cat 6a/7 cables, 4Kx2K@60Hz (4:2:0) output up to 130 feet (40m), 1080P@60Hz up to 230feet (70m).
- Via Cat 5e/6 cable, 4Kx2K@60Hz (4:2:0) output up to 115 feet (35m), 1080P@60Hz up to 198feet (60m).
- HDMI 1.4 with 4K and HDCP 2.2 compliant.
- Transfers bi-directional infrared control signal together with the HDMI signal.
- Use the transmitter and receiver pair to extend HDMI signals without additional settings.
- All connectors in one side for easy cabling.

Package Contents

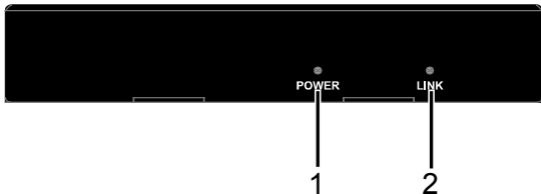
Before you start the installation of the product, please check the package contents:

- 1 x 0E-HDMIEXT4K
- 1 x Power Adapter (DC 18V 1A)
- 2 x IR Emitter
- 2 x IR Receiver (30-50KHz)
- 4 x Mounting Brackets
- 1 x User Manual

Panel

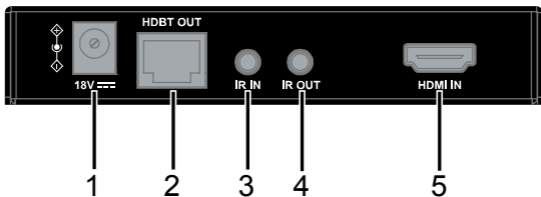
Transmitter

Front Panel



No.	Name	Description
1	POWER LED	STEADY RED: Transmitter is powered on.
2	LINK LED	STEADY GREEN: Link to receiver has been established. BLINKING/OFF: Connection exceptions exist between the transmitter and the receiver.

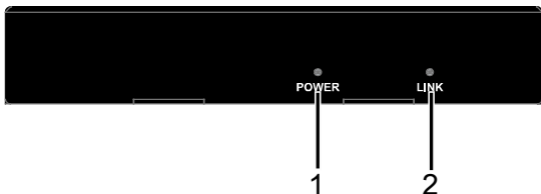
Rear Panel



No.	Name	Description												
1	DC 18V	Connect to the power adapter provided. Note: Only one power adapter is needed at transmitter or receiver side.												
2	HDBT OUT	Connect to the HDBT IN port of the receiver.												
3	IR IN	Connect to an IR receiver cable. Secure the IR receiver with adhesive. Note: The IR receiver enabled angle and distance: <table border="1" data-bbox="341 724 911 842"> <thead> <tr> <th>Enabled</th> <th>0°</th> <th>30°</th> <th>15°</th> </tr> </thead> <tbody> <tr> <td>Angel</td> <td></td> <td>(Horizontal)</td> <td>(Vertical)</td> </tr> <tr> <td>Distance</td> <td>8m(Max)</td> <td>4.5m(Max)</td> <td>3m(Max)</td> </tr> </tbody> </table>	Enabled	0°	30°	15°	Angel		(Horizontal)	(Vertical)	Distance	8m(Max)	4.5m(Max)	3m(Max)
Enabled	0°	30°	15°											
Angel		(Horizontal)	(Vertical)											
Distance	8m(Max)	4.5m(Max)	3m(Max)											
4	IR OUT	Connect to an IR emitter cable. Secure the IR emitter on the IR receiving sensor of display device with adhesive.												
5	HDMI IN	Connect to an HDMI source.												

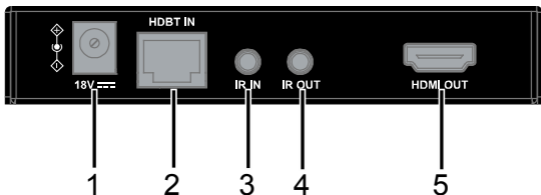
Receiver

Front Panel



No.	Name	Description
1	POWER LED	STEADY RED: Receiver is powered on.
2	LINK LED	STEAD GREEN: Link to transmitter has been established. BLINKING/OFF: Connection exceptions exist between the transmitter and the receiver.

Rear Panel



No.	Name	Description
1	DC 18V	Connect to the power adapter provided. Note: Only one power adapter is needed at transmitter or receiver side.
2	HDBT IN	Connect to the HDBT OUT port of the transmitter.

No.	Name	Description												
3	IR IN	Connect to an IR receiver cable. Secure the IR receiver with adhesive. Note: The IR receiver enabled angle and distance:												
		<table border="1"> <tr> <td>Enabled</td> <td>0°</td> <td>30°</td> <td>15°</td> </tr> <tr> <td>Angel</td> <td></td> <td>(Horizontal)</td> <td>(Vertical)</td> </tr> <tr> <td>Distance</td> <td>8m(Max)</td> <td>4.5m(Max)</td> <td>3m(Max)</td> </tr> </table>	Enabled	0°	30°	15°	Angel		(Horizontal)	(Vertical)	Distance	8m(Max)	4.5m(Max)	3m(Max)
		Enabled	0°	30°	15°									
Angel		(Horizontal)	(Vertical)											
Distance	8m(Max)	4.5m(Max)	3m(Max)											
4	IR OUT	Connect to an IR emitter cable. Secure the IR emitter on the IR receiving sensor of display device with adhesive.												
5	HDMI OUT	Connect to an HDMI display.												

Specification

Technical	
Video Signal Type	HDMI 1.4 with HDCP 2.2
Audio Format	Stereo, PCM 2.1/5.1/7.1, DTS, Dolby, pass through
Input/Output Resolution Support	SMPTE: 1280x720P ^{1,2,3,4,5,6,7,8} , 1920x1080I ^{6,8} , 1920x1080P ^{1,2,3,4,5,6,7,8} , 3840x2160 ^{2,3,5} , 4096x2160 ^{2,3,5} VESA: 800x600 ⁸ , 1024x768 ⁸ , 1280x768 ⁸ , 1280x800 ⁸ , 1280x960 ⁸ , 1280x1024 ⁸ , 1360x768 ⁸ , 1366x768 ⁸ , 1400x1050 ⁸ , 1440x900 ⁸ , 1600x900 ⁸ , 1600x1200 ⁸ , 1680x1050 ⁸ , 1920x1200 ⁸ 1 = at 23.98 Hz, 2 = at 24 Hz, 3 = at 25 Hz, 4 = at 29.97 Hz, 5 = at 30 Hz, 6 = at 50 Hz, 7 = at 59.94 Hz, 8 = at 60 Hz
Maximum Data Rate	10.2Gbps
Maximum Pixel Clock	340MHz

General	
Operating Temperature	0°C to + 45°C (32 to + 113 °F)
Storage Temperature	-20 to +70°C (-4 to + 158 °F)
Humidity	20% to 90%, non-condensing
ESD Protection	±8kV (Air-gap discharge)/ ±4kV (Contact discharge)
Surge Protection	Voltage: ±1 kV
Power Supply	DC 18V 1A
Power Consumption (Maximum)	8.8W (Pair)

General	
Device Dimensions (W x H x D)	Transmitter/Receiver: 11.5cm x2.1cm x 6.45cm/4.53" x 0.83" x 2.54"
Product Weight	Transmitter/Receiver: 0.22kg/0.48lb

Transmission Distance

Note: We recommend the use of T568B straight-through category cables.

Cable Type	Range	Supported Video
Cat 5e/6	60m/197ft	1080P@60Hz 36bpp
	35m/115ft	1080p 60 Hz 48 bpp
Cat 6a/7	40m/131ft	1080p 60 Hz 3D 3840 x 2160@60Hz 4:2:0 8bit
	70m/230ft	1080P@60Hz 36bpp

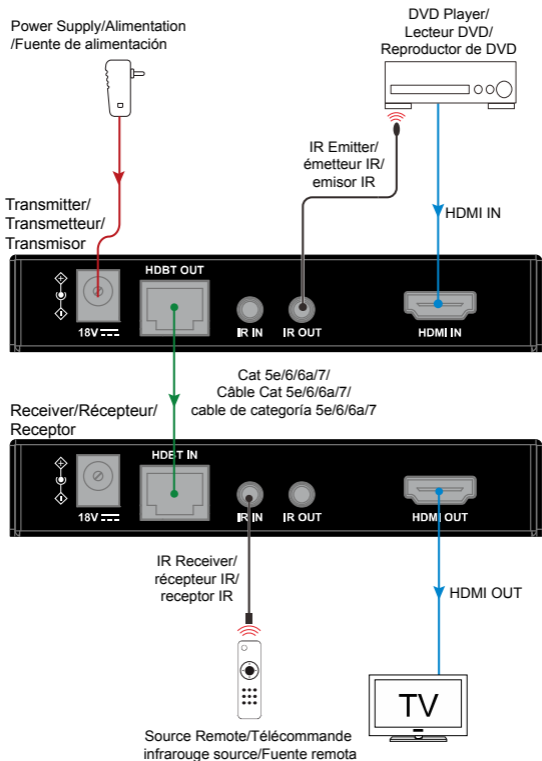
Wiring

The product packaging includes two pairs of IR cables, please refer to the following two applied installations with different remote handsets.

Applied installation 1

Control the DVD at TV side by DVD remote:

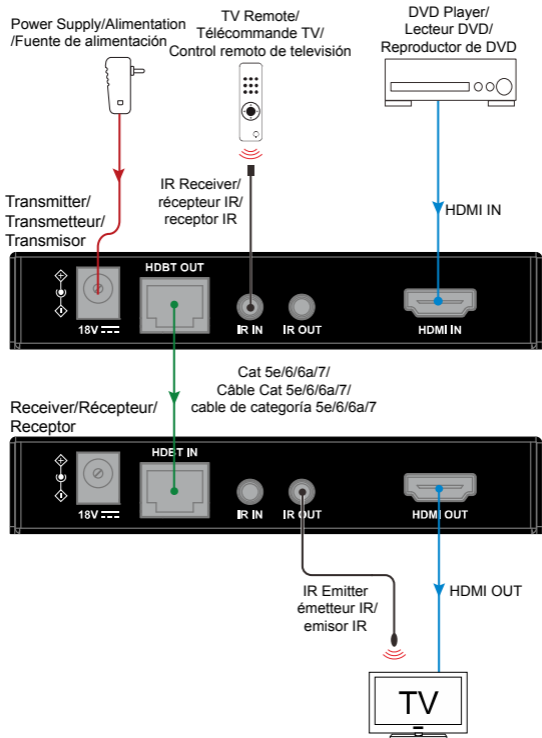
- Control the DVD at TV side by DVD remote:
- Connect an HDMI source (such as a DVD) to the transmitter.
- Connect transmitter and receiver with a Cat5e/6/6a/7 cable.
- Note: make sure Cat X cable is less than 230ft for 1080p. 130ft for 4K resolution.
- Connect an HDMI display (such as a TV) to the receiver.
- Connect the IR receiver cable to IR IN port of the receiver.
- Connect the IR emitter cable to the IR OUT port of the transmitter, the IR emitter head should be secured over the center of the DVD IR window.
- Connect the power adapter to DC 18V port.
- Power on all the devices. Now you can enjoy the audio and video experience.



Applied installation 2

Control the TV at DVD side by TV remote:

1. Connect an HDMI source (such as a DVD) to the transmitter.
2. Connect transmitter and receiver with a Cat5e/6/6a/7 cable.
Note: make sure Cat X cable is less than 230ft for 1080p. 130ft for 4K resolution. As show number 2 in figure.
3. Connect an HDMI display (such as a TV) to the receiver.
4. Connect the IR receiver cable to IR IN port of the transmitter.
5. Connect the IR emitter cable to the IR OUT port of the receiver, the IR emitter head should be secured over the center of the TV IR window.
6. Connect the power adapter to DC 18V port.
7. Power on all the devices. Now you can enjoy the audio and video experience.



Troubleshooting

Most problems that occur are due to simple issues. If you have trouble, please check the list of simple fixes below.

Six Steps of Regular Troubleshooting Routine.

1. Power: Make sure all devices are powered on. (source, extender, display device)
2. Indicator: Make sure LED indicators of extender are normal according to user manual.
3. Devices: Please make sure picture can be shown normally when connecting source to display devices directly.
4. Cable: Plug in and out HDMI/Cat X cable or try another HDMI/Cat X cable.
 - Cat 5e/6/6a/7 cable is recommended, do not use Cat 5 cable.
 - Please make sure Cat X cable is less than 230ft for 1080p, 130ft for 4K resolution.
 - Please make sure the two connectors of one Cat X cable are same standard (EIA/TIA 568B).
5. Compatibility:
 - Please test the source and display devices to determine whether there is compatibility issues.
 - HDMI extender supports 3G speed (4K@60Hz 4:2:0 8bit) maximum, when both HDMI source and display devices support 6G speed (4K@60Hz 4:4:4 8bit), display device will not output signal. (Even though all the LEDs of extender are normal.) Please set HDMI source resolution to 4K@60Hz 4:2:0 8bit or ask help from Source Device Supplier.
 - For Vizio TV, when every device is well connected and all the LEDs are normal. but Vizio TV cannot display well, please ask help from Vizio TV and update the TV setting.

Typical questions

1. How to deal with video flash or cut off during the installation?

- Power indicator should be solid on. If not, please check if the power adapter is well connected.
- Link indicator should be solid on, if it is blinking or off, it is likely a problem with your Ethernet cable, please change to a qualified cable (Cat 5e/6/6a/7, EIA/TIA 568B) and make sure the cable length is within the maximum distance (230ft for 1080p, 130ft for 4K).

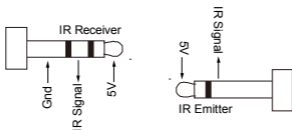
2. How to deal with a weak or not working IR signal?

- Make sure the IR cables are correctly installed according to the diagram above.
- Check if the IR emitter head is secured over the center of the device IR receiver window. The best position may vary depending on the device, please refer to the device user manual. If the signal is weak, please try adjusting the position.
- Pay attention to the control angle and distance as below: The control signal will be better when your controller is pointed at the IR receiver head directly.

Enabled Angle	0°	30°(Horizontal)	15°(Vertical)
Distance	8m(Max)	4.5m(Max)	3m(Max)

3. How can I make the IR work with third party control devices?

Please make sure the third-party device follows our pin definition as below:



Limited Warranty

1. Limited Warranty

a. General

Subject to the terms and conditions of this Limited Warranty, from the date of sale through the period of time for product categories specified in Section 1(b), ADI warrants AVARRO branded products to be free from defects in materials and workmanship under normal use and service, normal wear and tear excepted. Except as required by law, this Limited Warranty is only made to Buyer and may not be transferred to any third party.

ADI shall have no obligation under this Limited Warranty or otherwise if:

- (i) The product is improperly installed, applied or maintained;
- (ii) The product is installed outside of stated operating parameters, altered, or improperly serviced or repaired;
- (iii) Damage is caused by outside natural occurrences, such as lightning, power surges, fire, floods, acts of nature, or the like.
- (iv) Defects resulting from unauthorized modification, misuse, vandalism, or other causes unrelated to defective materials or workmanship, or failures related to batteries of any type used in connection with the products sold hereunder.

ADI only warrants those products branded AVARRO and sold by ADI. Any other products branded by third parties are warranted by the third-party manufacturer for a period as defined by the third-party manufacturer, and ADI assigns to Buyer those warranties and only those warranties extended by such third party manufacturers or vendors for non-ADI branded products. ADI does not itself warrant any non-ADI branded product and sells only on an as is basis in accordance with ADI's terms and conditions of sale.

b. Specific Warranties for product categories are as follows:

Product Categories	Warranty Period
HDMI Distribution	2 years

2. EXCLUSION OF WARRANTIES, LIMITATION OF LIABILITY

THERE ARE NO WARRANTIES OR CONDITIONS, EXPRESS OR IMPLIED, OF MERCHANTABILITY, OR FITNESS FOR A PARTICULAR PURPOSE OR OTHERWISE, WHICH EXTEND BEYOND THE DESCRIPTION ON THE FACE HEREOF. TO THE FULLEST EXTENT PERMITTED BY LAW, IN NO CASE SHALL ADI BE LIABLE TO ANYONE FOR ANY (I) CONSEQUENTIAL, INCIDENTAL, INDIRECT, SPECIAL, OR PUNITIVE DAMAGES ARISING OUT OF OR RELATING IN ANY WAY TO THE PRODUCT AND/OR FOR BREACH OF THIS OR ANY OTHER WARRANTY OR CONDITION, EXPRESS OR IMPLIED, OR UPON ANY OTHER BASIS OF LIABILITY WHATSOEVER, EVEN IF THE LOSS OR DAMAGE IS CAUSED BY ADI'S OWN NEGLIGENCE OR FAULT AND EVEN IF ADI HAS BEEN ADVISED OF THE POSSIBILITY OF SUCH LOSSES OR DAMAGES. Any product description (whether in writing or made orally by ADI or ADI's agents), specifications, samples, models, bulletin, drawings, diagrams, engineering sheets, or similar materials used in connection with the Buyer's order are for the sole purpose of identifying ADI's products and shall not be construed as an express warranty or condition. Any suggestions by ADI or ADI's agents regarding use, applications or suitability of the products shall not be construed as an express warranty or condition unless confirmed to be such in writing by ADI. ADI does not represent that the products it sells may not be compromised or circumvented; that the products will prevent any personal injury or property loss by burglary, robbery, fire or otherwise, or that the products will in all cases provide adequate warning or protection. Buyer understands and will cause its customer to understand that a properly installed and maintained product is not insurance or guarantee that such will not cause or lead to personal injury or property loss. CONSEQUENTLY, ADI SHALL HAVE NO LIABILITY FOR ANY PERSONAL INJURY, PROPERTY DAMAGE OR OTHER LOSS BASED ON ANY CLAIM AT ALL INCLUDING A CLAIM THAT THE PRODUCT FAILED TO GIVE WARNING. However, if ADI is held liable whether directly or indirectly for any loss or damage with respect to the products it sells, regardless of cause or origin, its maximum liability shall not in any case exceed the purchase price of the product, which shall be fixed as liquidated damages and not as a penalty

and shall be the complete and exclusive remedy against ADI.

3. Limitation on Liability to Buyer's Customers.

Buyer agrees to limit liability to its customers to the fullest extent permitted by law. Buyer acknowledges that ADI shall only be deemed to give consumers of its products such statutory warranties as may be required by law and at no time shall Buyer represent to its customers and/or users of ADI products that ADI provides any additional warranties. By accepting the products, to the fullest extent permitted by law, Buyer assumes all liability for, and agrees to indemnify and hold ADI harmless against and defend ADI from, any and all suits, claims, demands, causes of action and judgments relating to damages, whether for personal injury or to personal property, suffered by any person, firm, corporation or business association, including but not limited to, Buyer's customers and/or users of the products because of any failure of the products to detect and/or warn of the danger for which the goods were designed or any other failure of the products whether or not such damages are caused or contributed to by the sold or joint concurring negligence or fault of ADI.

4. Returns

Subject to the terms and conditions listed below, during the applicable warranty period, ADI will replace Product or provide a credit at purchase at its sole option free of charge any defective products returned prepaid. Any obligations of ADI to replace Limited Lifetime warranty products pursuant to this warranty which result from defect are limited to the availability of replacement product. ADI reserves the right to replace any such products with the then currently available products, or provide a credit in its sole discretion. In the event Buyer has a problem with any ADI product, please call your local ADI branch for return instructions:

For US call 1-800-233-6261

For Canada call 877-234-7378

For Puerto Rico call 787-793-8830

Be sure to have the model number and the nature of the problem available. In the event of replacement, the return product will be credited to Buyer's account and a new invoice issued for the replacement item. ADI reserves the right to issue a credit only in lieu of replacement.

If any AVARRO branded products are found to be in good working order or such product's inability to function properly is a result of user damage or abuse, the product will be returned to Buyer in the same condition as received and Buyer shall be responsible for any return freight changes.

5. Governing Law

The laws of State of New York apply to this Limited Warranty.

6. Miscellaneous

Where any term of this Limited Warranty is prohibited by such laws, it shall be null and void, but the remainder of the Limited Warranty shall remain in full force and effect.

Introduction

Aperçu

L'0E-HDMIEXT4K est un ensemble transmetteur / récepteur conçu pour étendre les signaux HDMI 1080P à 60 Hz jusqu'à 70 m et les signaux 4K à 60 Hz (4:2:0) jusqu'à 40 m, par l'intermédiaire d'un câble de catégorie 6a/7. Le transmetteur peut alimenter le récepteur. Vous pouvez contrôler la source à partir de l'écran d'affichage ou contrôler l'écran d'affichage à partir de la source, grâce à la fonction de transfert IR. Le transmetteur et le récepteur sont faciles à installer. Ils sont peu encombrants et constituent la solution idéale pour la maison, les bureaux, les solutions multimédias numériques, les centres de contrôle, les salles de conférence, les établissements scolaires et les environnements de formation en entreprise.

Caractéristiques

- Modèle fin et gain de place
- PoE bidirectionnel, un seul adaptateur d'alimentation requis.
- Via câbles de cat. 6a/7, sortie 4Kx2K à 60 Hz (4:2:0) jusqu'à 130 pi. (40 m), 1080P à 60 Hz jusqu'à 230 pi. (70 m).
- Via câble de cat. 5a/6, sortie 4Kx2K à 60 Hz (4:2:0) jusqu'à 115 pi. (35 m), 1080P à 60 Hz jusqu'à 198 pi. (60 m).
- HDMI 1.4 conforme HDCP 2.2 et 4K.
- Transfert du signal de commande infrarouge bidirectionnel en même temps que le signal HDMI.
- L'ensemble transmetteur / récepteur peut être utilisé pour étendre les signaux HDMI sans autre réglage.
- Tous les connecteurs sont installés du même côté pour faciliter le câblage.

Contenu

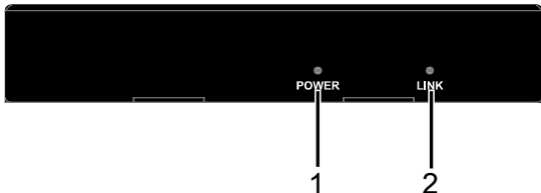
Avant de commencer l'installation du produit, veuillez vérifier le contenu de la boîte :

- 1 x appareil OE-HDMIEXT4K
- 1 x adaptateur de puissance (18 VCC, 1 A)
- 2 x émetteurs IR
- 2 x récepteurs IR (30 à 50 kHz)
- 4 x supports de montage
- 1 x manuel d'utilisation

Panneau

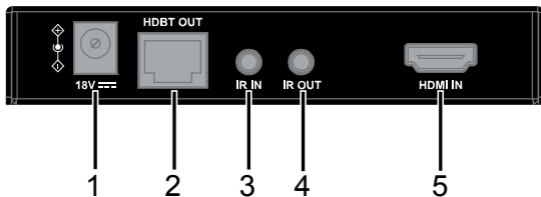
Transmetteur

Panneau avant



Réf.	Nom	Description
1	VOYANT « POWER » (ALIMENTATION)	Rouge fixe : le transmetteur est sous tension.
2	VOYANT « LINK » (LIAISON)	Vert fixe : la liaison avec le récepteur a bien été établie. Clignotant ou éteint : il existe des exceptions de connexion entre le transmetteur et le récepteur.

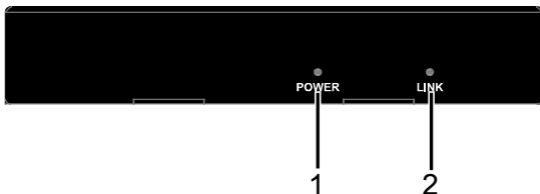
Panneau arrière



Réf.	Nom	Description												
1	Alimentation	Connexion à l'adaptateur d'alimentation CC de 18 V. Remarque : un seul adaptateur d'alimentation est requis au niveau du transmetteur ou du récepteur.												
2	HDBT OUT (SORTIE HDBT)	Connexion au récepteur via un câble de cat. 5e/6/6a/7.												
3	IR IN (ENTRÉE IR)	Connexion au câble du récepteur IR. Fixez le récepteur IR avec de l'adhésif. Remarque : distance et angle autorisé du récepteur IR : <table border="1" style="margin-left: 20px;"> <thead> <tr> <th></th> <th>0°</th> <th>30° (Horizontal)</th> <th>15° (Vertical)</th> </tr> </thead> <tbody> <tr> <td>Angle autorisé</td> <td></td> <td></td> <td></td> </tr> <tr> <td>Distance</td> <td>8 m (max)</td> <td>4,5 m (max)</td> <td>3 m (max)</td> </tr> </tbody> </table>		0°	30° (Horizontal)	15° (Vertical)	Angle autorisé				Distance	8 m (max)	4,5 m (max)	3 m (max)
	0°	30° (Horizontal)	15° (Vertical)											
Angle autorisé														
Distance	8 m (max)	4,5 m (max)	3 m (max)											
4	IR OUT (SORTIE IR)	Connexion au câble de l'émetteur IR. Fixez l'émetteur IR sur le capteur de réception IR de l'écran d'affichage avec de l'adhésif.												
5	HDMI IN (ENTRÉE HDMI)	Connexion à un appareil source HDMI.												

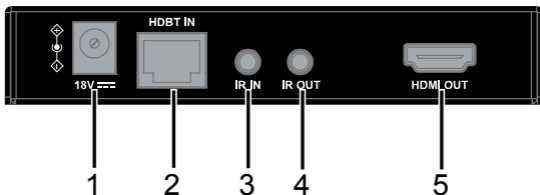
Récepteur

Panneau avant



Réf.	Nom	Description
1	VOYANT « POWER » (ALIMENTATION)	Rouge fixe : le récepteur est sous tension.
2	VOYANT « LINK » (LIAISON)	Vert fixe : la liaison avec le transmetteur a bien été établie. Clignotant ou éteint : il existe des exceptions de connexion entre le transmetteur et le récepteur.

Panneau arrière



Réf.	Nom	Description
1	Alimentation	Connexion à l'adaptateur d'alimentation CC de 18 V.

Réf.	Nom	Description								
		Remarque : un seul adaptateur d'alimentation est requis au niveau du transmetteur ou u récepteur.								
2	HDBT IN (ENTRÉE HDMI)	Connexion au transmetteur via un câble de cat. 5e/6/6a/7.								
3	IR IN (ENTRÉE IR)	Connexion au câble du récepteur IR. Fixez le récepteur IR avec de l'adhésif. Remarque : distance et angle autorisé du récepteur IR : <table border="1" data-bbox="396 382 911 509"> <tr> <td>Angle autorisé</td> <td>0°</td> <td>30° (Horizontal)</td> <td>15° (Vertical)</td> </tr> <tr> <td>Distance</td> <td>8 m (max)</td> <td>4,5 m (max)</td> <td>3 m (max)</td> </tr> </table>	Angle autorisé	0°	30° (Horizontal)	15° (Vertical)	Distance	8 m (max)	4,5 m (max)	3 m (max)
Angle autorisé	0°	30° (Horizontal)	15° (Vertical)							
Distance	8 m (max)	4,5 m (max)	3 m (max)							
4	IR OUT (SORTIE IR)	Connexion au câble de l'émetteur IR. Fixez l'émetteur IR sur le capteur de réception IR de l'écran d'affichage avec de l'adhésif.								
5	HDMI OUT (SORTIE HDMI)	Connexion à l'écran d'affichage HDMI.								

Spécifications

Caractéristiques techniques	
Type de signal d'entrée/de sortie	HDMI 1.4 et HDCP 2.2
Format audio	Stéréo, PCM 2,1/5,1/7,1, DTS, Dolby, passthrough
Résolution d'entrée/de sortie prise en charge	SMPTE: 1280x720P ^{1,2,3,4,5,6,7,8} , 1920x1080i ^{6,8} , 1920x1080P ^{1,2,3,4,5,6,7,8} , 3840x2160 ^{2,3,5} , 4096x2160 ^{2,3,5} VESA: 800x600 ⁸ , 1024x768 ⁸ , 1280x768 ⁸ , 1280x800 ⁸ , 1280x960 ⁸ , 1280x1024 ⁸ , 1360x768 ⁸ , 1366x768 ⁸ , 1400x1050 ⁸ , 1440x900 ⁸ , 1600x900 ⁸ , 1600x1200 ⁸ , 1680x1050 ⁸ , 1920x1200 ⁸ 1 = at 23.98 Hz, 2 = at 24 Hz, 3 = at 25 Hz, 4 = at 29.97 Hz, 5 = at 30 Hz, 6 = at 50 Hz, 7 = at 59.94 Hz, 8 = at 60 Hz
Débit de données maximal	10.2Gbps
Horloge de pixels maximale	340MHz

Général	
Température de service	0 à 45 °C (32 à 113 °F)
Température de stockage	-20 à 70 °C (-4 à 158 °F)
Humidité	10 % à 90 % (sans condensation)
Protection DES	± 8 kV (décharge d'entrefer)/ ± 4 kV (décharge de contact)
Protection contre les surtensions	Tension : ±1 kV
Alimentation	DC 18V 1A
Consommation d'énergie (max.)	8,8 W (paire)
Dimensions de l'appareil (l x H x P)	Transmetteur et récepteur : 11,5 cm x 2,1 cm x 6,45 cm /4,53 po. x 0,83 po. x 2,54 po.
Poids du produit	Transmetteur et récepteur : 0,22 kg/0,48 lb

Spécifications relatives aux câbles :

Remarque : nous vous recommandons d'utiliser des câbles directs T568B.

Type de câble	Portée	Vidéo prise en charge
CAT. 5e/CAT. 6	60 m/ 197pi	1080p, 60 Hz, 36 bpp
	35 m/115 pi	1080p, 60 Hz, 48 bpp
		1080p, 60 Hz 3D
		3840 x 2160 à 60 Hz, 4:2:0, 8 bits
CAT. 6a/CAT. 7	70 m/230 pi	1080p, 60 Hz, 36 bpp
	40 m/131 pi	1080p, 60 Hz, 48 bpp
		1080p, 60 Hz 3D
		3840 x 2160 à 60 Hz, 4:2:0, 8 bits

Cableado

Le produit contient deux paires de câbles IR. Veuillez vous reporter aux deux procédures d'installation ci-après qui concernent différentes télécommandes.

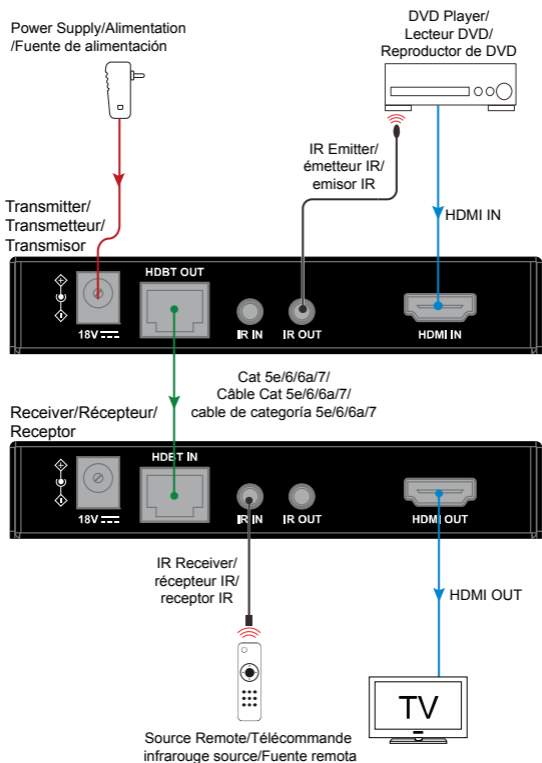
Procédure d'installation 1

Contrôle du DVD, au niveau de la TV, via la télécommande du DVD :

1. Connectez une source HDMI (comme un lecteur DVD) au transmetteur.
2. Connectez le transmetteur et le récepteur à l'aide d'un câble de cat. 5e/6/6a/7.

Remarque : veillez à ce que le câble cat.X mesure moins de 230 pi. (70 m) pour une résolution de 1080p et moins de 130 pi. (40 m) pour une résolution de 4K.

3. Connectez un écran d'affichage HDMI (comme un téléviseur) au récepteur.
4. Connectez le câble du récepteur IR au port d'entrée IR du récepteur.
5. Connectez le câble de l'émetteur IR au port de sortie IR du transmetteur. La tête de l'émetteur IR doit être dirigée vers le centre de la fenêtre IR du DVD.
6. Branchez l'adaptateur d'alimentation au port 18 VCC.
7. Mettez tous les appareils sous tension. Vous pouvez alors profiter de votre système audio et vidéo.



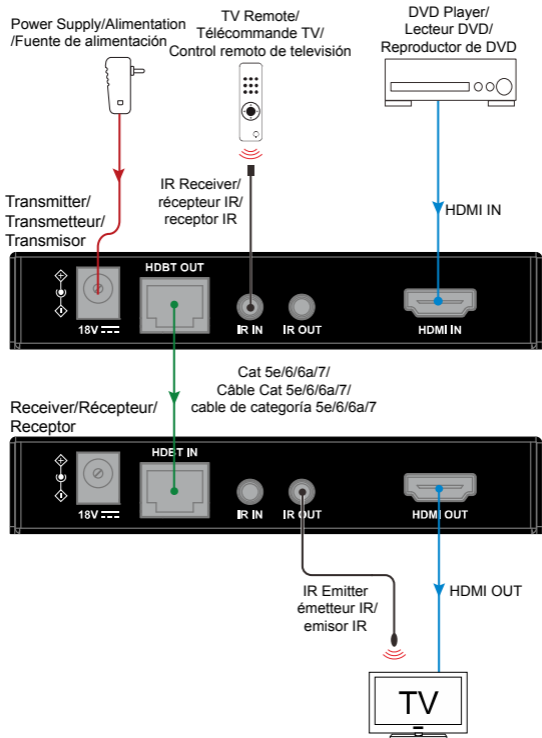
Procédure d'installation 2

Contrôle de la TV, au niveau du DVD, via la télécommande de la TV :

1. Connectez une source HDMI (comme un lecteur DVD) au transmetteur.
2. Connectez le transmetteur et le récepteur à l'aide d'un câble de cat. 5e/6/6a/7.

Remarque : veillez à ce que le câble cat.X mesure moins de 230 pi. (70 m) pour une résolution de 1080p et moins de 130 pi. (40 m) pour une résolution de 4K.

3. Connectez un écran d'affichage HDMI (comme un téléviseur) au récepteur.
4. Connectez le câble du récepteur IR au port d'entrée IR du transmetteur.
5. Connectez le câble de l'émetteur IR au port de sortie IR du récepteur. La tête de l'émetteur IR doit être dirigée vers le centre de la fenêtre IR du TV.
6. Branchez l'adaptateur d'alimentation au port 18 VCC.
7. Mettez tous les appareils sous tension. Vous pouvez alors profiter de votre système audio et vidéo.



Dépannage

Les problèmes courants sont souvent dus à des problèmes mineurs. En cas de défaillance, consultez la liste de résolution des problèmes simples, ci-après.

Procédure de dépannage courant en six étapes.

1. Alimentation : vérifiez que tous les appareils sont sous tension (source, module d'extension, écran d'affichage).
2. Voyants : vérifiez que les voyants du module d'extension indiquent un fonctionnement normal, conformément au manuel d'utilisation.
3. Appareils : vérifiez que l'image s'affiche normalement lorsque vous connectez la source directement aux écrans d'affichage.
4. Câble : branchez et débranchez le câble HDMI/cat.X ou utilisez un autre câble HDMI/cat.X.
 - Il est recommandé d'utiliser un câble cat. 5e/6/6a/7. N'utilisez pas de câble cat. 5.
 - Assurez-vous que le câble cat.X mesure moins de 230 pi. (70 m) pour une résolution de 1080p et moins de 130 pi. (40 m) pour une résolution de 4K.
 - Vérifiez que les deux connecteurs d'un même câble cat.X répondent aux mêmes normes (EIA/TIA 568B).
5. Compatibilité :
 - Testez la source et l'écran d'affichage pour identifier les éventuels problèmes de compatibilité.
 - Le module d'extension HDMI est compatible, au maximum, avec un débit 3G (4K à 60 Hz, 4:2:0, 8 bits). Lorsque la source HDMI et l'écran d'affichage sont compatibles avec un débit 6G (4K à 60 Hz, 4:4:4, 8 bits), l'écran d'affichage n'émet pas de signal (même si tous les voyants du module d'extension s'allument normalement). Veuillez paramétrer la source HDMI pour une résolution de 4K à 60 Hz, 4:2:0, 8 bits ou contacter le fournisseur de l'appareil source pour obtenir de l'aide.

- Pour les TV Vizio, lorsque tous les appareils sont connectés normalement et que tous les voyants sont normaux, mais que l'affichage est défaillant sur la TV Vizio, veuillez demander de l'aide auprès de Vizio et mettre à jour les paramètres de la TV.

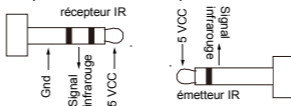
Questions fréquentes

1. Que faire en cas d'interruption ou flash vidéo pendant l'installation?
 - Le voyant d'alimentation doit être allumé et fixe. Si ce n'est pas le cas, vérifiez que l'adaptateur d'alimentation est bien branché.
 - Le voyant de liaison doit être allumé et fixe. S'il clignote ou s'il est éteint, cela peut être dû à un problème au niveau du câble Ethernet. Veuillez le remplacer par un câble adapté (cat. 5e/6/6a/7, EIA/TIA 568B) et vous assurer qu'il ne dépasse pas la longueur maximale autorisée (230 pi./70 m pour 1080p, 130 pi/40 m pour 4K).
2. Que faire si le signal IR est faible ou inexistant ?
 - Assurez-vous que les câbles IR sont correctement installés, conformément au schéma ci-dessus.
 - Vérifiez que la tête de l'émetteur IR est placée sur le centre de la fenêtre du récepteur IR de l'appareil. La position idéale peut varier en fonction de l'appareil. Reportez-vous au manuel d'utilisation de l'appareil. Si le signal est faible, essayez d'ajuster la position.
 - Tenez compte des limites de l'angle de commande et de la distance ci-dessous. Le signal de commande est plus fort lorsque le contrôleur est dirigé directement vers la tête du récepteur IR.

Angle autorisé	0°	30° (horizontal)	15° (vertical)
Distance	8 m (max)	4,5 m (max)	3 m (max)

3. Comment utiliser le système IR avec des dispositifs de commande tiers?

Les broches du dispositif tiers doivent répondre aux critères ci-dessous :



Garantie limitée

1. Garantie limitée

a. Général

Soumis aux conditions générales de cette garantie limitée à partir de la date de vente pour la durée des catégories de produits définies à la section 1(b), ADI garantit que ses produits AVARRO sont exempts de défauts de matériel et de fabrication selon un usage normal, à l'exception d'une usure normale. Sauf si la loi l'exige, la présente garantie limitée est offerte uniquement à l'acheteur et ne peut être transférée à un tiers.

En vertu de la présente garantie limitée et autre obligation, ADI n'endossera aucune responsabilité dans les cas suivants :

- (i) le produit est mal installé, mal appliqué ou mal entretenu;
- (ii) le produit est installé de manière non conforme aux paramètres d'utilisation indiqués, est modifié ou est mal entretenu ou réparé;
- (iii) le produit est endommagé suite à des phénomènes naturels extérieurs comme la foudre, une surcharge électrique, un incendie, une inondation, un acte de la nature ou un phénomène similaire;
- (iv) les défauts du produit sont le résultat d'une modification non autorisée, d'une mauvaise utilisation, d'un acte de vandalisme ou d'autres causes non liés aux vices de matériaux ou de fabrication, ou à une défaillance des piles de quelque type que ce soit utilisées avec les produits vendus aux termes des présentes.

ADI garantit uniquement les produits portant la marque AVARRO et vendus par ADI. Les autres produits portant une marque de tiers sont garantis par le fabricant tiers pendant une période définie par ce dernier, et ADI cède à l'acheteur ces garanties et uniquement les garanties offertes par ces fabricants tiers ou vendeurs à l'égard de produits ne portant pas ses marques. ADI ne garantit pas de produits ne portant pas ses marques et vend ces produits tels quels, conformément à ses modalités de vente.

- b. Les garanties particulières applicables aux catégories de produits sont les suivantes :

Catégories de produits	Période de garantie
Distribution HDMI	Garantie 2 ans

2. EXCLUSION DE GARANTIES ET LIMITATION DE RESPONSABILITÉ

AUCUNE GARANTIE OU CONDITION, EXPRESSE OU IMPLICITE DE QUALITÉ MARCHANDE OU D'ADAPTABILITÉ À UN USAGE PARTICULIER N'EST OFFERTE, OUTRE LA DESCRIPTION CI-PRÉSENTE. DANS LA PLEINE MESURE PERMISE PAR LA LOI, ADI NE SAURAIT EN AUCUN CAS ÊTRE TENUE RESPONSABLE ENVERS QUICONQUE DES DOMMAGES CONSÉCUTIFS, INDIRECTS, SPÉCIAUX OU PUNITIFS DÉCOULANT DU PRODUIT OU LIÉS À CELUI-CI DE QUELQUE FAÇON QUE CE SOIT ET/OU DU NON-RESPECT DE LA PRÉSENTE GARANTIE OU DE TOUTE AUTRE GARANTIE OU CONDITION, EXPRESSE OU IMPLICITE, OU DE TOUTE AUTRE RÉCLAMATION FONDÉE SUR LA RESPONSABILITÉ, MÊME SI LA PERTE OU LES DOMMAGES SONT CAUSÉS PAR LA NÉGLIGENCE OU LA FAUTE D'ADI ET MÊME SI CETTE DERNIÈRE A ÉTÉ AVISÉE DE LA POSSIBILITÉ QUE DE TELLES PERTES OU DE TELS DOMMAGES SURVIENNENT. Les descriptions de produits (fournies par écrit ou verbalement par ADI ou ses mandataires), caractéristiques techniques, échantillons, modèles, bulletins, dessins, diagrammes, esquisses techniques ou documents similaires utilisés par l'acheteur pour passer une commande visent uniquement à décrire les produits d'ADI et ne doivent pas être interprétés comme des garanties ou conditions expresses. Les suggestions faites par ADI ou ses mandataires au sujet de l'utilisation, de l'application ou du caractère approprié des produits ne doivent pas être interprétées comme des garanties ou conditions expresses, sauf si ADI confirme par écrit qu'il s'agit de garanties ou de conditions expresses. ADI ne garantit pas qu'il n'y aura aucune atteinte à l'intégrité des produits qu'elle vend ou que les produits qu'elle vend ne seront pas contournés, qu'ils préviendront les blessures ou les pertes matérielles en cas de cambriolage, de vol, d'incendie ou autrement ou qu'ils constitueront dans tous les cas une protection ou un avertissement approprié. L'acheteur comprend qu'un produit dûment installé

et entretenu permet uniquement de réduire le risque de cambriolage, de vol ou d'incendie sans avertissement, mais qu'il ne constitue pas une assurance ou une garantie qu'un tel événement ne se produira pas ou qu'il n'entraînera pas des blessures ou des pertes matérielles. PAR CONSÉQUENT, ADI NE SAURAIT ÊTRE TENUE RESPONSABLE DES BLESSURES, DES DOMMAGES MATÉRIELS OU D'AUTRES PERTES FAISANT L'OBJET D'UNE RÉCLAMATION, Y COMPRIS UNE RÉCLAMATION SELON LAQUELLE LE PRODUIT N'AURAIT PAS DONNÉ DE SIGNAL D'AVERTISSEMENT. Toutefois, si ADI est tenue responsable, directement ou indirectement, de pertes ou de dommages à l'égard des produits qu'elle vend, quelle qu'en soit la cause ou l'origine, sa responsabilité n'excédera en aucun cas le prix d'achat du produit, dont le remboursement sera exigé à titre de dommages-intérêts extrajudiciaires et non d'amende, et il s'agira du recours exclusif et intégral pouvant être exercé contre ADI.

3. Limitation de la responsabilité envers les clients de l'acheteur.

L'acheteur accepte de limiter la responsabilité à ses clients dans la pleine mesure permise par la loi. L'acheteur reconnaît qu'ADI ne sera réputée avoir fourni aux consommateurs de ses produits que les garanties qui sont exigées par la loi. L'acheteur ne doit en aucun cas déclarer à ses clients et/ou aux utilisateurs des produits d'ADI que cette dernière offre d'autres garanties. Par l'acceptation des produits, l'acheteur assume, dans la pleine mesure permise par la loi, la pleine responsabilité à l'égard de toutes les poursuites, réclamations, mises en demeure et causes d'action et à l'égard de tous les jugements se rapportant à des dommages-intérêts, que ce soit pour des préjudices personnels ou des dommages matériels, subis par une personne, une firme, une société ou une association commerciale, y compris les clients de l'acheteur et/ou les utilisateurs des produits, en raison de toute omission de la part des produits de déceler le danger pour la détection duquel ils sont conçus et/ou de donner l'alerte de ce danger ou un avertissement de toute autre défaillance des produits, que ces dommages aient été causés par la négligence dont ADI est l'auteur ou le coauteur, et il tiendra ADI à couvert à cet égard et prendra fait et cause pour lui.

4. Retours

Sous réserve des conditions générales énumérées ci-dessous et durant la période de garantie applicable, ADI remplacera ou créditera tout produit défectueux retourné port payé à sa seule discrétion et sans frais. L'obligation qui incombe à ADI de remplacer le produit visé par une garantie à vie limitée aux termes de la garantie en question si celui-ci est défectueux se limite à la disponibilité d'un produit de remplacement. ADI se réserve le droit de remplacer un produit défectueux par le produit qui est disponible à ce moment-là, ou de donner une note de crédit, à son gré. Si l'acheteur a un problème avec un produit d'ADI, il doit appeler sa succursale ADI locale pour connaître la marche à suivre pour retourner le produit.

Aux États-Unis, composer le 1 800 233-6261

Au Canada, composer le 877 234-7378

À Porto Rico, composer le 787 793-8830

N'oubliez pas d'avoir en main le numéro de modèle et la nature du problème. En cas de remplacement, le prix du produit retourné sera porté au crédit du compte de l'acheteur et une nouvelle facture sera établie pour le produit de remplacement. ADI se réserve le droit de donner une note de crédit plutôt que de remplacer le produit.

Si l'on établit que le produit AVARRO n'est pas défectueux ou que son mauvais fonctionnement résulte d'une utilisation abusive ou de dommages causés par l'utilisateur, le produit sera retourné à l'acheteur dans le même état que celui dans lequel il a été reçu et l'acheteur devra acquitter les frais de transport.

5. Droit applicable

Les lois de l'État de New York s'appliquent à la présente garantie limitée.

6. Divers

Si une modalité de la présente garantie limitée est interdite par ces lois, elle sera nulle, mais le reste de la présente garantie limitée demeurera pleinement en vigueur.

Introducción

Descripción

0E-HDMIEXT4K es un par transmisor-receptor delgado diseñado para extender las señales HDMI 1080p@60Hz hasta 70 m y las señales 4K@60Hz (4:2:0) hasta 40 m a través de un único cable Cat 6a/7. El transmisor puede suministrar la corriente para el receptor. Puede controlar la fuente desde la ubicación de la pantalla o controlar la pantalla desde la ubicación de la fuente a través de la función de paso de IR. El transmisor y el receptor son fáciles de instalar. Ahorran espacio y ofrecen soluciones para el hogar, la oficina, los centros de entretenimiento digital, los centros de control, las salas de conferencias y los entornos de formación escolar y corporativa.

Características

- Aspecto delgado y ahorro de espacio.
- PoE bidireccional, solo se necesita un adaptador de corriente.
- A través de cables Cat 6a/7, salida 4Kx2K@60Hz (4:2:0) hasta 130 pies (40 m), 1080p@60Hz hasta 230 pies (70 m).
- A través del cable Cat 5e/6, salida 4Kx2K@60Hz (4:2:0) hasta 115 pies (35 m), 1080p@60Hz hasta 198 pies (60 m).
- HDMI 1.4 con 4K y compatible con HDCP 2.2.
- Transfiere la señal de control infrarroja bidireccional junto con la señal HDMI.
- Utilice el par transmissore-receptor para ampliar las señales HDMI sin necesidad de hacer ajustes adicionales.
- Todos los conectores en un solo lado para facilitar el cableado.

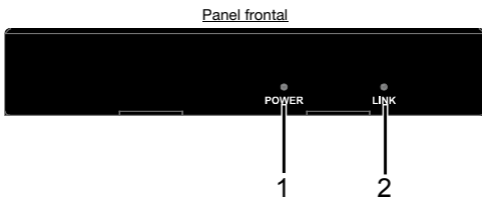
Contenido del paquete

Antes de comenzar a instalar el producto, verifique el contenido del paquete:

- 1 0E-HDMIEXT4K
- 1 adaptador de CC de 18 V con pines para EE. UU.
- 2 emisor IR
- 2 receptor IR de banda ancha (30-50 KHz)
- 4 soportes de montaje (con tornillos)
- 1 manual del usuario

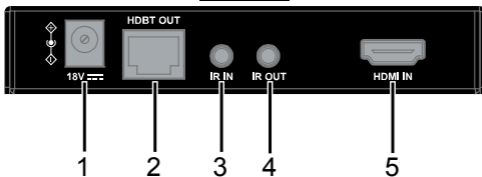
Panel

Transmisor



N.º	Nombre	Descripción
1	LED DE ALIMENTACIÓN	Rojo fijo: El transmisor está encendido.
2	LED DE ENLACE	Verde fijo: Se estableció el enlace con el receptor. Parpadeo/Apagado: Existen excepciones de conexión entre el transmisor y el receptor.

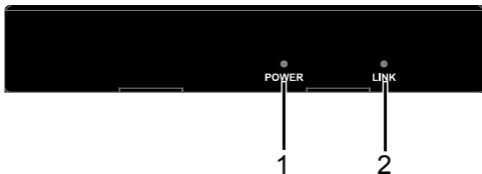
Panel trasero



N.º	Nombre	Descripción								
1	DC 18V	Se conecta al adaptador de corriente DC 18V 1A. Nota: Solo se necesita un adaptador de corriente en el lado del transmisor o del receptor.								
2	HDBT OUT	Se conecta al receptor mediante un cable Cat5e/6/6a/7.								
3	IR IN	Se conecta a un cable receptor de IR. Fije el receptor de IR con adhesivo. Nota: El receptor de IR activó el ángulo y la distancia: <table border="1" data-bbox="326 730 911 890"> <tbody> <tr> <td>Ángulo activado</td> <td>0°</td> <td>30° (Horizontal)</td> <td>15° (Vertical)</td> </tr> <tr> <td>Distancia (máxima)</td> <td>8 m</td> <td>4.5 m</td> <td>3 m</td> </tr> </tbody> </table>	Ángulo activado	0°	30° (Horizontal)	15° (Vertical)	Distancia (máxima)	8 m	4.5 m	3 m
Ángulo activado	0°	30° (Horizontal)	15° (Vertical)							
Distancia (máxima)	8 m	4.5 m	3 m							
4	IR OUT	Se conecta a un cable emisor de IR. Fije el emisor de IR en el sensor de recepción de IR del dispositivo de la pantalla con adhesivo.								
5	HDMI IN	Conectar a una fuente HDMI.								

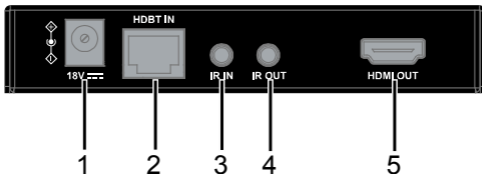
Receptor

Panel frontal



N.º	Nombre	Descripción
1	LED DE ALIMENTACIÓN	Rojo fijo: El receptor está encendido.
2	LED DE ENLACE	Verde fijo: Se estableció el enlace con el transmisor. Parpadeo/Apagado: Existen excepciones de conexión entre el transmisor y el receptor.

Panel trasero



N.º	Nombre	Descripción
1	DC 18V	Se conecta al adaptador de corriente DC 18V 1A. Nota: Solo se necesita un adaptador de corriente en el lado del transmisor o del receptor.
2	HDBT IN	Conectar al puerto de salida HDBT OUT del transmisor.
3	IR IN	Se conecta a un cable receptor de IR. Fije el receptor de IR con adhesivo. Nota: El receptor de IR activó el ángulo y la distancia:

N.º	Nombre	Descripción								
		<table border="1"> <tr> <td>Ángulo activado</td> <td>0°</td> <td>30° (Horizontal)</td> <td>15° (Vertical)</td> </tr> <tr> <td>Distancia (máxima)</td> <td>8 m</td> <td>4.5 m</td> <td>3 m</td> </tr> </table>	Ángulo activado	0°	30° (Horizontal)	15° (Vertical)	Distancia (máxima)	8 m	4.5 m	3 m
Ángulo activado	0°	30° (Horizontal)	15° (Vertical)							
Distancia (máxima)	8 m	4.5 m	3 m							
4	IR OUT	Se conecta a un cable emisor de IR. Fije el emisor de IR en el sensor de recepción de IR del dispositivo de la pantalla con adhesivo.								
5	HDMI OUT	Conectar a un monitor HDMI.								

Especificaciones

Técnica	
Tipo de señal de entrada/salida	HDMI 1.4 con HDCP 2.2
Formato de audio admitido	estéreo, PCM 2.1/5.1/7.1, DTS, Dolby, transferencia SMPTE:
Resolución de entrada/salida admitida	1280x720P ^{1,2,3,4,5,6,7,8} , 1920x1080i ^{6,8} , 1920x1080P ^{1,2,3,4,5,6,7,8} , 3840x2160 ^{2,3,5} , 4096x2160 ^{2,3,5} VESA: 800x600 ⁸ , 1024x768 ⁸ , 1280x768 ⁸ , 1280x800 ⁸ , 1280x960 ⁸ , 1280x1024 ⁸ , 1360x768 ⁸ , 1366x768 ⁸ , 1400x1050 ⁸ , 1440x900 ⁸ , 1600x900 ⁸ , 1600x1200 ⁸ , 1680x1050 ⁸ , 1920x1200 ⁸ 1 = a 23.98 Hz, 2 = a 24 Hz, 3 = a 25 Hz, 4 = a 29.97 Hz, 5 = a 30 Hz, 6 = a 50 Hz, 7 = a 59.94 Hz, 8 = a 60 Hz
Velocidad máxima de datos	10.2 Gbps
Reloj de píxeles máximo	340MHz

General	
Temperatura operativa	De 0 °C a 45 °C (32 °F a 113 °F)
Temperatura de almacenamiento	De -20 °C a 70 °C (-4 °F a 158 °F)
Humedad	De 10 % a 90 %, sin condensación
Protección contra descargas electrostáticas	± 8 kV (descarga por espacio de aire)/ ± 4kV (descarga por contacto)
Protección contra sobretensión	Voltaje: ±1 kV
Fuente de alimentación	DC 18V 1A

General	
Consumo de energía (máx.)	8.8 W (par)
Medidas del dispositivo (ancho x altura x profundidad)	Transmisor/receptor: 11.5 cm x 6.45 cm x 2.1 cm /4.55" x 2.55" x 0.83"
Peso del producto	Transmisor/receptor: 0.22 kg/0.48 lb

Distancia de la transmisión

Nota: Recomendamos usar cables directos T568B.

Tipo de cable	Rango	Video admitido
Cat 5e/6	60 m/197 pies	1080P a 60Hz 36bpp
	35 m/115 pies	1080p a 60 Hz 48 bpp 1080p a 60 Hz 3D 3840 x 2160 a 60Hz 4:2:0 8bit
Cat 6a/7	70 m/230 pies	1080P a 60Hz 36bpp
	40 m/131 pies	1080p a 60 Hz 48 bpp 1080p a 60 Hz 3D 3840 x 2160 a 60Hz 4:2:0 8bit

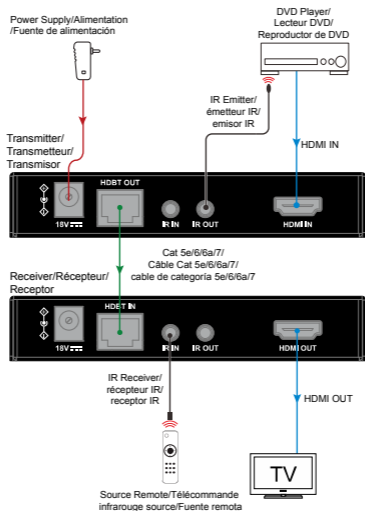
Cableado

El embalaje del producto incluye dos pares de cables IR. Consulte las dos siguientes instalaciones aplicadas con diferentes mandos a distancia.

Cableado 1

Controle el DVD en el lado de la TV con el mando a distancia del DVD:

1. Conecte una fuente HDMI (como un DVD) al transmisor.
2. Conecte el transmisor y el receptor con un cable Cat5e/6/6a/7.
Nota: asegúrese de que el cable CatX sea inferior a 230 pies para 1080p. para una resolución 4K de 130 pies.
3. Conecte una pantalla HDMI (como una TV) al receptor.
4. Conecte el cable del receptor de IR al puerto de entrada IR del receptor.
5. Conecte el cable del emisor de IR al puerto de entrada IR del transmisor, la cabeza del emisor de IR debe fijarse sobre el centro de la ventana IR del DVD.
6. Conecte el adaptador de corriente al puerto DC 18V.
7. Encienda todos los dispositivos. Ahora puede disfrutar de la experiencia de audio y video.

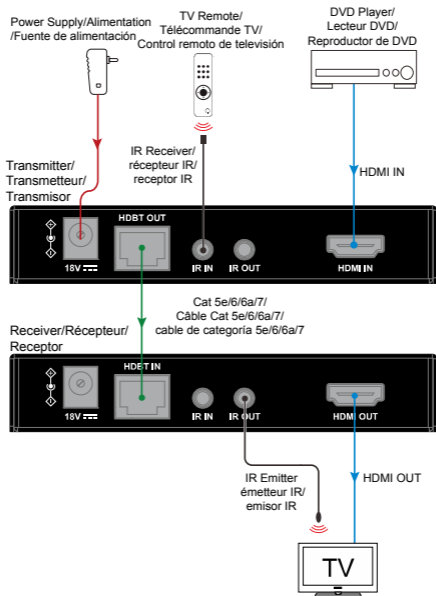


Cableado 2

Controle la TV en el lado del DVD con el mando a distancia:

1. Conecte una fuente HDMI (como un DVD) al transmisor.
2. Conecte el transmisor y el receptor con un cable Cat5e/6/6a/7.
Nota: asegúrese de que el cable CatX sea inferior a 230 pies para 1080p. para una resolución 4K de 130 pies.
3. Conectar una pantalla de HDMI (como un TV) al puerto de salida HDMI OUT del receptor.
4. Conecte el cable del receptor de IR al puerto de entrada IR del transmisor.
5. Conecte el cable del emisor de IR al puerto IR OUT del receptor, la cabeza del emisor de IR debe estar asegurada sobre el centro de la ventana de IR del televisor.

6. Conectar el adaptador de corriente provisto al transmisor o al receptor.
7. Encender todos los dispositivos conectados. Ahora puede disfrutar de la experiencia de audio y video.



Solución de problemas

La mayoría de los problemas se deben a cuestiones sencillas. Si tiene problemas, consulte la siguiente lista de soluciones sencillas.

Seis pasos de la rutina de resolución de problemas regular.

1. Corriente: Asegúrese de que todos los dispositivos estén encendidos. (fuente, extensor, dispositivo de pantalla)
2. Indicador: Asegúrese de que los indicadores LED del extensor sean normales según el manual de usuario.
3. Dispositivos: Asegúrese de que la imagen pueda mostrarse con normalidad cuando conecte la fuente a los dispositivos de la pantalla directamente.
4. Cable: Conecte y desconecte el cable HDMI/Cat X o pruebe con otro cable HDMI/Cat X.
 - Se recomienda el cable Cat 5e/6/6a/7, no utilice el cable Cat 5.
 - Asegúrese de que el cable Cat X sea inferior a 230 pies para una resolución 4K de 1080p, 130 pies.
 - Asegúrese de que los dos conectores de un cable CatX sean del mismo estándar (EIA/TIA 568B).
5. Compatibilidad:
 - Pruebe los dispositivos de la fuente y pantalla para determinar si hay problemas de compatibilidad.
 - El extensor HDMI admite una velocidad 3G (4K@60Hz 4:2:0 8 bit) como máximo, cuando tanto los dispositivos de fuente HDMI como los de pantalla admiten una velocidad 6G (4K@60Hz 4:4:4 8 bit). El dispositivo de pantalla no emitirá señal. (Aunque todos los LED del extensor sean normales). Ajuste la resolución de la fuente HDMI a 4K@60Hz 4:2:0 8 bit o pida ayuda al proveedor del dispositivo fuente.
 - Para Vizio TV, cuando todos los dispositivos están bien conectados y todos los LED son normales, pero Vizio TV no puede mostrar bien, por favor pida ayuda a Vizio TV y actualice la configuración de la TV.

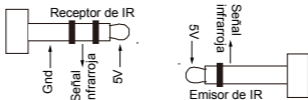
Preguntas frecuentes

1. ¿Qué hago si el video parpadea o se corta durante la instalación?
 - El indicador de encendido debe estar permanentemente encendido. Si no es así, compruebe si el adaptador de corriente está bien conectado.
 - El indicador de enlace debe estar encendido permanentemente, si parpadea o está apagado, es probable que haya un problema con su cable Ethernet. Cambie a un cable adecuado (Cat5e/6/6a/7, EIA/TIA 568B) y asegúrese de que la longitud del cable esté dentro de la distancia máxima (230 pies para 1080p, 130 pies para 4K).
2. ¿Qué hago si la señal IR es débil o no funciona?
 - Asegúrese de que los cables IR están correctamente instalados según el diagrama anterior.
 - Compruebe que el cabezal del emisor de IR esté fijado sobre el centro de la ventana del receptor de IR del dispositivo. La mejor posición puede variar según el dispositivo. Consulte el manual de usuario del dispositivo. Si la señal es débil, intente ajustar la posición.
 - Preste atención al ángulo de control y a la distancia como se indica a continuación: La señal del control será mejor cuando su controlador apunte directamente al cabezal del receptor de IR.

Ángulo sugerido	0°	30° (Horizontal)	15° (Vertical)
Distancia (máxima)	8 m	4.5 m	3 m

3. ¿Cómo puedo hacer que el IR funcione con dispositivos de control externos?

Asegúrese de que el dispositivo externo siga nuestra definición de pines como se indica a continuación:



Garantía limitada

1. Garantía limitada

a. General

Sujeto a los términos y condiciones de esta Garantía limitada, desde la fecha de venta hasta el período correspondiente a las categorías de productos especificadas en la Sección 1(b), ADI garantiza que los productos de la marca AVARRO están libres de defectos en los materiales y de mano de obra en condiciones de uso y servicio normales, excepto por el desgaste normal. Salvo que lo exija la ley, esta Garantía limitada se otorga únicamente al Comprador y no puede ser cedida a ningún tercero.

ADI no tendrá ninguna obligación en virtud de esta Garantía limitada ni de ningún otro concepto si:

- (i) El producto se instala, aplica o mantiene de manera incorrecta.
- (ii) El producto se instala fuera de los parámetros de funcionamiento indicados, se altera o es objeto de mantenimiento o reparaciones inadecuados.
- (iii) El daño es causado por sucesos naturales externos, como rayos, sobrecargas eléctricas, incendios, inundaciones, fenómenos de la naturaleza o similares.
- (iv) Los defectos son consecuencia de modificaciones no autorizadas, uso indebido, vandalismo u otras causas no relacionadas con materiales defectuosos ni con defectos de fabricación, o fallas relacionados con baterías de cualquier tipo utilizadas con los productos vendidos según el presente documento.

ADI solo garantiza los productos de la marca AVARRO y vendidos por ADI. Cualquier otro producto con marca de terceros está garantizado por el fabricante externo por un período definido por ese fabricante, y ADI asigna al Comprador esas garantías y solo las garantías otorgadas por dichos fabricantes o proveedores externos para los productos que no son de marca ADI. ADI no garantiza por sí misma ningún producto que no sea de la marca ADI y solo lo vende "tal como está", de acuerdo con los términos y condiciones de venta de ADI.

b. Las garantías específicas para las categorías de productos son las siguientes:

Categorías de productos	Período de garantía
Distribución HDMI	2 años

2. EXCLUSIÓN DE GARANTÍAS, LIMITACIÓN DE RESPONSABILIDAD

NO EXISTEN GARANTÍAS NI CONDICIONES, EXPRESAS O IMPLÍCITAS, DE COMERCIALIZACIÓN O IDONEIDAD PARA UN FIN DETERMINADO O DE OTRO TIPO, QUE VAYAN MÁS ALLÁ DE LA DESCRIPCIÓN QUE FIGURA EN EL PRESENTE DOCUMENTO. EN LA MEDIDA EN QUE LO PERMITA LA LEY, EN NINGÚN CASO ADI SERÁ RESPONSABLE ANTE NADIE DE NINGÚN DAÑO (I) CONSECUENTE, INCIDENTAL, INDIRECTO, ESPECIAL O PUNITIVO QUE SURJA O SE RELACIONE DE ALGUNA MANERA CON EL PRODUCTO Y/O DEL INCUMPLIMIENTO DE ESTA O CUALQUIER OTRA GARANTÍA O CONDICIÓN, EXPRESA O IMPLÍCITA, O SOBRE CUALQUIER OTRA BASE DE RESPONSABILIDAD, AUNQUE LA PÉRDIDA O EL DAÑO SEA CONSECUENCIA DE LA PROPIA NEGLIGENCIA O CULPA DE ADI, Y AUNQUE ADI HAYA SIDO ADVERTIDA DE LA POSIBILIDAD DE TALES PÉRDIDAS O DAÑOS. Cualesquiera sean la descripción del producto (expresada por escrito u oralmente por ADI o por los representantes de ADI), las especificaciones, las muestras, los modelos, el anuncio, los dibujos, los diagramas, las hojas de ingeniería o materiales similares utilizados en relación con el pedido del Comprador tienen el único propósito de identificar los productos de ADI y no se interpretarán como una garantía o condición expresa. Cualquier sugerencia de ADI o de los representantes de ADI en relación con el uso, las aplicaciones o la idoneidad de los productos no se interpretará como una garantía o condición expresa, a menos que ADI la confirme como tal por escrito. ADI no garantiza que los productos que vende no puedan verse comprometidos ni alterados; que los productos impedirán cualquier daño personal o pérdida de propiedad por robo, hurto, incendio u otro motivo, o que los productos proporcionarán en todos los casos la advertencia o protección adecuada. El Comprador entiende y hará entender a su cliente que un producto correctamente instalado y

mantenido no constituye un seguro ni una garantía de que no causará ni provocará daños personales o pérdidas materiales. EN CONSECUENCIA, ADI NO TENDRÁ NINGUNA RESPONSABILIDAD DE LESIONES PERSONALES, DAÑOS A LA PROPIEDAD O CUALQUIER OTRA PÉRDIDA BASADA EN CUALQUIER RECLAMACIÓN, INCLUIDA LA RECLAMACIÓN DE QUE EL PRODUCTO NO HAYA DADO ADVERTENCIA. Sin embargo, si ADI es responsable, directa o indirectamente, de cualquier pérdida o daño con respecto a los productos que vende, independientemente de la causa o el origen, su responsabilidad máxima no superará en ningún caso el precio de compra del producto, que se fijará como daños liquidados y no como una penalización, y constituirá la única y toda medida de reparación contra ADI.

3. Limitación de la responsabilidad ante los clientes del Comprador.

El Comprador se compromete a limitar la responsabilidad ante sus clientes en la medida en que lo permita la ley. El Comprador reconoce que solo se considerará que ADI da a los consumidores de sus productos las garantías legales que puedan ser exigidas por la ley y en ningún momento el Comprador manifestará a sus clientes y/o usuarios de los productos de ADI que ADI otorga alguna garantía adicional. Al aceptar los productos, en la medida en que lo permita la ley, el Comprador asume toda la responsabilidad de, y acepta indemnizar y eximir a ADI de responsabilidad y defenderla de, cualesquier y todos los juicios, reclamos, demandas, causas de acción y sentencias relacionadas con daños, ya sea por lesiones personales o a la propiedad personal, sufridos por cualquier persona, firma, corporación o asociación comercial, e incluye, entre otros, a los clientes del Comprador y/o los usuarios de los productos debido a cualquier incumplimiento de los productos en cuanto a detectar y/o advertir del peligro para el cual los bienes fueron diseñados o cualquier otro incumplimiento de los productos, sin importar si la negligencia o culpa individual, colectiva o concomitante de ADI hayan causado o contribuido a tales daños.

4. Devoluciones

Sujeto a los términos y condiciones que se enuncian a continuación, durante el período de garantía aplicable, ADI reemplazará el producto u otorgará un crédito

en la compra, a su sola opción, sin cargo alguno, por cualquier producto defectuoso devuelto con franqueo pagado. Cualquier obligación de ADI de reemplazar los productos de la garantía limitada de por vida en virtud de esta garantía que resulte de un defecto está limitada a la disponibilidad del producto de reemplazo. ADI se reserva el derecho de reemplazar cualquiera de esos productos por los productos disponibles en ese momento, o proporcionar un crédito a su entera discreción. En el caso de que el Comprador tenga un problema con cualquier producto de ADI, debe llamar a su sucursal local de ADI a fin de recibir instrucciones para hacer la devolución:

Para Estados Unidos, llame al 1-800-233-6261

Para Canadá, llame al 877-234-7378

Para Puerto Rico, llame al 787-793-8830

Asegúrese de tener a mano el número de modelo y la naturaleza del problema. En caso de reemplazo, el producto devuelto se acreditará en la cuenta del Comprador y se emitirá una nueva factura por el artículo de reemplazo. ADI se reserva el derecho de emitir un crédito solo a cambio del reemplazo.

Si se determina que cualquier producto de la marca AVARRO se encuentra en buen estado de funcionamiento o que la incapacidad de dicho producto para funcionar correctamente es el resultado de daño o uso indebido por parte del usuario, el producto será devuelto al Comprador en las mismas condiciones en que lo recibió y el Comprador será responsable de cualquier costo de envío de la devolución.

5. Ley competente

Esta Garantía Limitada se rige por las leyes del estado de Nueva York.

6. Varios

Cuando dichas leyes prohíban algún término de esta Garantía limitada, este será considerado nulo y sin efecto, pero el resto de la Garantía limitada seguirá teniendo pleno vigor y efecto.

