



Table of Contents

Introduction	3
Overview	3
Features	3
Package Contents	4
Panel	4
Transmitter	4
Receiver	5
Specification	6
Installation and Wiring.....	8
Brackets Installation	8
Wiring	8
RS232 Operation.....	10
Limited Warranty	12
Introduction	16
Aperçu.....	16
Caractéristiques.....	16
Contenu.....	17
Panneau	17
Transmetteur	17
Récepteur	19
Spécifications	20
Installation et câblage	21
Installation des supports	21
Câblage.....	22
Commande RS232.....	23
Garantie limitée	26
Introducción	30
Descripción	30
Características	30
Contenido del paquete	31

Panel	31
Transmisor	31
Receptor	32
Especificaciones	34
Instalación y cableado	35
Instalación de los soportes.....	35
Cableado.....	35
Control RS232.....	37
Garantía limitada	39

Introduction

Overview

This product is an HDBaseT extender, and it is designed to extend 4K HDMI signals up to 70m/230ft via a single Cat 5e/6 cable and 100m/330ft via a single Cat 6a/7 cable. The transmitter and receiver just need a single power supply to power both devices via its bi-directional PoC function. The extender also supports bi-directional IR pass-through and RS232 pass-through. With bi-directional ethernet pass-through supported, connect a PC to the Ethernet port of transmitter/receiver, and connect ethernet port of receiver/transmitter to the local area network, the PC can access to the local area network.

The extender is easy to install and space saving, offering solutions for home, office, digital entertainment centers, control centers, conference rooms, school and corporate training environments.

Features

- Slim profile, space saving and easy-to-install.
- 4K/UHD capability @60Hz with 4:2:0 8bit Chroma sampling.
- HDCP 2.2 compliant.
- Supports signal transmission up to 100 meters (4K and 1080P) via a single Cat 6a/7 cable.
- Supports signal transmission up to 70 meters (4K) and up to 100 meters (1080P) via a single Cat 5e/6 cable.
- Supports RS232, IR and Ethernet signals pass-through over HDBT.
- Bi-directional PoC, one power adapter at either transmitter or receiver side can power both units.

Package Contents

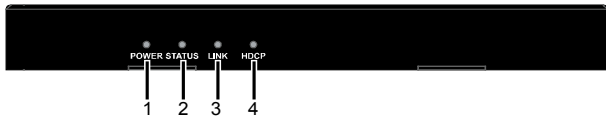
Before you start the installation of the product, please check the package contents:

- 1 x 0E-HDMIEX4KR Transmitter
- 1 x 0E-HDMIEX4KR Receiver
- 1 x DC 18V Power Adapter with US Pins
- 1 x IR Emitter
- 1 x Broadband IR Receiver (30-50KHz)
- 2 x Phoenix Male Connector (3.5mm 3-Pin)
- 4 x Mounting Brackets (with Screws)
- 1 x User Manual

Panel

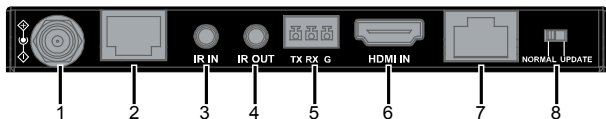
Transmitter

Front Panel



No.	Name	Description
1	POWER LED	ON: The transmitter is powered on. OFF: The transmitter is powered off.
2	STATUS LED	FLASHING SLOWLY: The transmitter is working properly. OFF: The transmitter is not working properly.
3	LINK LED	ON: Transmitter and Receiver are linked. BLINKING: Connection exception. OFF: No link.
4	HDCP LED	ON: HDCP protected content is being transmitted. BLINKING: Non-HDCP protected content is being transmitted. OFF: No content is being transmitted.

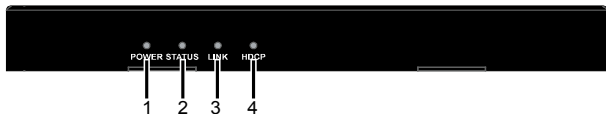
Rear Panel



No.	Name	Description
1	DC 18V	Connect to the power adapter provided. With bi-directional PoC supported, one power adapter is needed to be connected to transmitter or receiver to power both units.
2	HDBT OUT	Connect to the HDBT IN port of the receiver.
3	IR IN	Connect to the IR receiver.
4	IR OUT	Connect to the IR emitter.
5	RS232	Connect to a RS232 device for pass-through or connect to a PC for firmware upgrading.
6	HDMI IN	Connect to an HDMI source.
7	ETHERNET	Connect to a network access point or a network terminal device.
8	MODE	NORMAL: For RS232 pass-through. UPDATE: For firmware upgrade.

Receiver

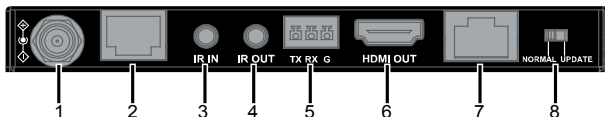
Front Panel



No.	Name	Description
1	POWER LED	ON: The receiver is powered on. OFF: The receiver is powered off.
2	STATUS LED	FLASHING SLOWLY: The Receiver is working properly. OFF: The Receiver is not working properly.
3	LINK LED	ON: Transmitter and Receiver are linked. BLINKING: Connection exception. OFF: No link.

No.	Name	Description
4	HDCP LED	ON: HDCP video is being transmitted. BLINKING: Non-HDCP video is being transmitted. OFF: No HDMI signal.

Rear Panel



No.	Name	Description
1	DC 18V	Connect to the power adapter provided. With bi-directional PoC supported, one power adapter is needed to be connected to transmitter or receiver to power both units.
2	HDBT IN	Connect to the HDBT OUT port of the transmitter.
3	IR IN	Connect to the IR receiver.
4	IR OUT	Connect to the IR emitter.
5	RS232	Connect to a RS232 device for pass-through or connect to a PC for firmware upgrading.
6	HDMI OUT	Connect to an HDMI display.
7	ETHERNET	Connect to a network access point or a network terminal device.
8	MODE	NORMAL: For RS232 pass-through. UPDATE: For firmware upgrade.

Specification

Technical	
Input/Output Port	Transmitter: 1 x HDMI IN, 1 x HDBT OUT, 1 x IR IN, 1 x IR OUT, 1 x RS232, 1 x ETHERNET, 1 x DC 18V IN Receiver: 1 x HDMI OUT, 1 x HDBT IN, 1 x IR IN, 1 x IR OUT, 1 x RS232, 1 x ETHERNET, 1 x DC 18V IN
Video Signal Type	HDMI 1.4 with 4K@60Hz 4:2:0 8bit, HDCP 2.2
Input/Output Resolution Support	4K@60 4:2:0 8bit /1080P/1080i/720P/576P/480P/576i/480i
Audio Format	Supports multichannel audio up to PCM 7.1, Dolby True

Technical	
Supported	HD, DTS HD Master Audio, Dolby Atmos and DTS:X
Maximum Data Rate	10.2Gbps
Maximum Pixel Clock	340MHz

General	
Operating Temperature	0°C to + 45°C (32 to + 113 °F)
Storage Temperature	-20 to +70°C (-4 to + 158 °F)
Humidity	20% to 90%, non-condensing
ESD Protection	±8kV (Air-gap discharge)/ ±4kV (Contact discharge)
Surge Protection	Voltage: ±1 kV
Power Supply	DC 18V 1A
Power Consumption (Maximum)	RX is powered by TX: 13W TX is powered by RX: 12.2W TX and RX are powered separately: TX: 5.5W, RX: 7.6W
Device Dimensions (W x H x D)	Transmitter/Receiver: 13.5 cm x 1.49 cm x 7.42 cm/5.31" x 0.59" x 2.92"
Product Weight	Transmitter/Receiver: 0.24kg/0.53lb

Transmission Distance

Note: We recommend the use of T568B straight-through category cables.

Cable Type	Range	Supported Video
Cat 5e/6	100m/330ft	1080P@60Hz
	70m/230ft	1080P@60 Hz
Cat 6a/7	100m/330ft	1080P@60 Hz 3D 4K2K@30Hz 4:4:4 4K@60Hz 4:2:0
HDMI	Input/Output: 10m/33ft	4K2K@30Hz 4:4:4 4K@60Hz 4:2:0

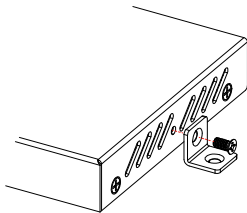
Installation and Wiring

Brackets Installation

Note: Before installation, please ensure the device is disconnected from the power source.

Steps to install the device in a suitable location:

1. Attach the installation bracket to the enclosure using the screws that were provided in the package separately.
2. The bracket is attached to the enclosure as shown.



3. Repeat steps from 1 to 2 for the other side of the transmitter.
4. Attach the brackets to the surface you want to hold the transmitter against using the screws (provided by others).
5. Repeat steps from 1 to 4 to install the receiver.

Wiring

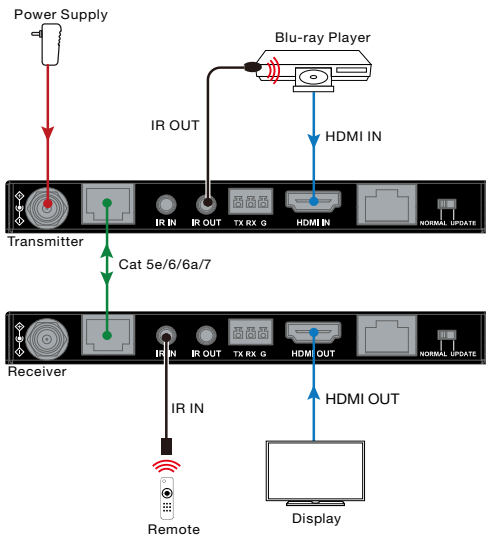
Warnings:

- Before wiring, disconnect the power from the device.
- During wiring, connect and disconnect the cables gently.

Steps for device wiring:

1. Connect an HDMI source (such as Blu-ray player) to HDMI IN port of the transmitter.

2. Connect HDBT OUT port of transmitter to HDBT IN port of receiver using a Cat 5e/6/6a/7 cable.
3. Connect an HDMI display (such as TV) to HDMI OUT port of the receiver.
4. Connect the provided IR emitter cable to IR OUT port of the transmitter/receiver, and connect the provided IR receiver cable to IR IN port of the receiver/transmitter. The source remote can control the source at receiver side or the display remote can control the display at the transmitter side.
5. Connect the provided power adapter to the transmitter or receiver. With bi-directional PoC function supported, only one power adapter is needed to power both units.
6. Power on all attached devices.

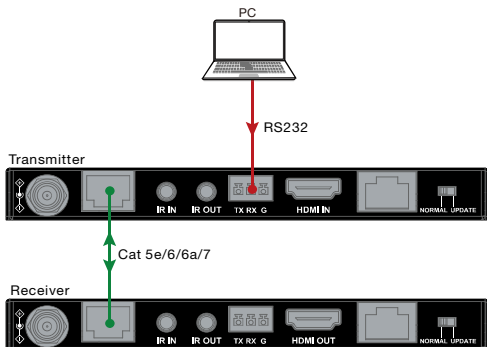


RS232 Operation

You can use a RS232 port on Transmitter and Receiver to connect to a computer to update firmware or connect a RS232 device to communicate with another RS232 device on the other extender's side via a Cat 5e/6/6a/7 cable.

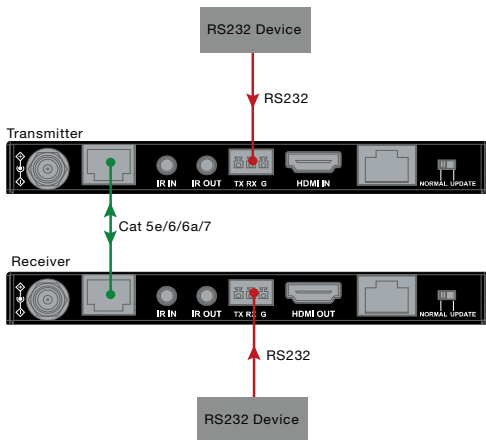
Scenario 1

Slide "MODE" switch of TX/RX to "UPDATE" side, connect a PC to RS232 port of TX/RX to upgrade it.



Scenario 2

Slide "MODE" switches of TX/RX to "NORMAL" side, connect RS232 devices to RS232 ports of TX/RX.



Limited Warranty

1. Limited Warranty

a. General

Subject to the terms and conditions of this Limited Warranty, from the date of sale through the period of time for product categories specified in Section 1(b), ADI warrants AVARRO branded products to be free from defects in materials and workmanship under normal use and service, normal wear and tear excepted. Except as required by law, this Limited Warranty is only made to Buyer and may not be transferred to any third party.

ADI shall have no obligation under this Limited Warranty or otherwise if:

- (i) The product is improperly installed, applied or maintained;
- (ii) The product is installed outside of stated operating parameters, altered, or improperly services or repaired;
- (iii) Damage is caused by outside natural occurrences, such as lightning, power surges, fire, floods, acts of nature, or the like.
- (iv) Defects resulting from unauthorized modification, misuse, vandalism, or other causes unrelated to defective materials or workmanship, or failures related to batteries of any type used in connection with the products sold hereunder.

ADI only warrants those products branded AVARRO and sold by ADI. Any other products branded by third parties are warranted by the third party manufacturer for a period as defined by the third party manufacturer, and ADI assigns to Buyer those warranties and only those warranties extended by such third party manufacturers or vendors for non-ADI branded products. ADI does not itself warrant any non-ADI branded product and sells only on an as is basis in accordance with ADI's terms and conditions of sale.

b. Specific Warranties for product categories are as follows:

Product Categories	Warranty Period
HDMI Distribution	2 years

2. EXCLUSION OF WARRANTIES, LIMITATION OF LIABILITY

THERE ARE NO WARRANTIES OR CONDITIONS, EXPRESS OR IMPLIED, OF MERCHANTABILITY, OR FITNESS FOR A PARTICULAR PURPOSE OR OTHERWISE, WHICH EXTEND BEYOND THE DESCRIPTION ON THE FACE HEREOF. TO THE FULLEST EXTENT PERMITTED BY LAW, IN NO CASE SHALL ADI BE LIABLE TO ANYONE FOR ANY (I) CONSEQUENTIAL, INCIDENTAL, INDIRECT, SPECIAL, OR PUNITIVE DAMAGES ARISING OUT OF OR RELATING IN ANY WAY TO THE PRODUCT AND/OR FOR BREACH OF THIS OR ANY OTHER WARRANTY OR CONDITION, EXPRESS OR IMPLIED, OR UPON ANY OTHER BASIS OF LIABILITY WHATSOEVER, EVEN IF THE LOSS OR DAMAGE IS CAUSED BY ADI'S OWN NEGLIGENCE OR FAULT AND EVEN IF ADI HAS BEEN ADVISED OF THE POSSIBILITY OF SUCH LOSSES OR DAMAGES. Any product description (whether in writing or made orally by ADI or ADI's agents), specifications, samples, models, bulletin, drawings, diagrams, engineering sheets, or similar materials used in connection with the Buyer's order are for the sole purpose of identifying ADI's products and shall not be construed as an express warranty or condition. Any suggestions by ADI or ADI's agents regarding use, applications or suitability of the products shall not be construed as an express warranty or condition unless confirmed to be such in writing by ADI. ADI does not represent that the products it sells may not be compromised or circumvented; that the products will prevent any personal injury or property loss by burglary, robbery, fire or otherwise, or that the products will in all cases provide adequate warning or protection. Buyer understands and will cause its customer to understand that a properly installed and maintained product is not insurance or guarantee that such will not cause or lead to personal injury or property loss. CONSEQUENTLY, ADI SHALL HAVE NO LIABILITY FOR ANY PERSONAL INJURY, PROPERTY DAMAGE OR OTHER LOSS BASED ON ANY CLAIM AT ALL INCLUDING A CLAIM THAT THE PRODUCT FAILED TO GIVE WARNING. However, if ADI is held liable whether directly or indirectly for any loss or damage with respect to the products it sells, regardless of cause or origin, its maximum liability shall not in any case exceed the purchase price of the product, which shall be fixed as liquidated damages and not as a penalty

and shall be the complete and exclusive remedy against ADI.

3. Limitation on Liability to Buyer's Customers.

Buyer agrees to limit liability to its customers to the fullest extent permitted by law. Buyer acknowledges that ADI shall only be deemed to give consumers of its products such statutory warranties as may be required by law and at no time shall Buyer represent to its customers and/or users of ADI products that ADI provides any additional warranties. By accepting the products, to the fullest extent permitted by law, Buyer assumes all liability for, and agrees to indemnify and hold ADI harmless against and defend ADI from, any and all suits, claims, demands, causes of action and judgments relating to damages, whether for personal injury or to personal property, suffered by any person, firm, corporation or business association, including but not limited to, Buyer's customers and/or users of the products because of any failure of the products to detect and/or warn of the danger for which the goods were designed or any other failure of the products whether or not such damages are caused or contributed to by the sold or joint concurring negligence or fault of ADI.

4. Returns

Subject to the terms and conditions listed below, during the applicable warranty period, ADI will replace Product or provide a credit at purchase at its sole option free of charge any defective products returned prepaid. Any obligations of ADI to replace Limited Lifetime warranty products pursuant to this warranty which result from defect are limited to the availability of replacement product. ADI reserves the right to replace any such products with the then currently available products, or provide a credit in its sole discretion. In the event Buyer has a problem with any ADI product, please call your local ADI branch for return instructions:

For US call 1-800-233-6261

For Canada call 877-234-7378

For Puerto Rico call 787-793-8830

Be sure to have the model number and the nature of the problem available. In the event of replacement, the return product will be credited to Buyer's account and a new invoice issued for the replacement item. ADI reserves the right to issue a credit only in lieu of replacement.

If any AVARRO branded products are found to be in good working order or such product's inability to function properly is a result of user damage or abuse, the product will be returned to Buyer in the same condition as received and Buyer shall be responsible for any return freight changes.

5. Governing Law

The laws of State of New York apply to this Limited Warranty.

6. Miscellaneous

Where any term of this Limited Warranty is prohibited by such laws, it shall be null and void, but the remainder of the Limited Warranty shall remain in full force and effect.

Introduction

Aperçu

Ce produit est un amplificateur HDBaseT. Il est conçu pour augmenter la portée du signal 4K HDMI jusqu'à 70 m/230 pi à partir d'un seul câble Cat 5e/6 et jusqu'à 100 m/330 pi à partir d'un seul câble Cat 6a/7. Le transmetteur et le récepteur n'ont besoin que d'une source d'alimentation pour alimenter les deux appareils grâce à la fonction PoC bidirectionnelle. Il prend également en charge la transmission IR bidirectionnelle et la transmission RS232. Avec la transmission Ethernet bidirectionnelle prise en charge, connecter un ordinateur au port Ethernet du transmetteur/récepteur et connecter le port du récepteur/du transmetteur au réseau local puis l'ordinateur aura accès au réseau local.

Il est peu encombrant, facile à installer et constitue la solution idéale pour la maison, les bureaux, les solutions multimédias numériques, les centres de contrôle, les salles de conférence, les établissements scolaires et les environnements de formation en entreprise.

Caractéristiques

- Profil bas, facile à installer et peu encombrant.
- Capacité 4K/UHD à 60 Hz avec échantillonnage de la chrominance 4:2:0 8 bits.
- Compatible HDCP 2.2.
- Capacité de transmission du signal 4K et 1080p jusqu'à 100 m/330 pi à partir d'un câble Cat6a/7.
- Capacité de transmission du signal 4K jusqu'à 70 m/230 pi à partir d'un câble Cat5e/6.
- Capacité de transmission des signaux RS232, IR et Ethernet par HDTB.
- Alimentation PoC bidirectionnelle; un adaptateur d'alimentation au récepteur ou au transmetteur suffit à alimenter les deux unités.

Contenu

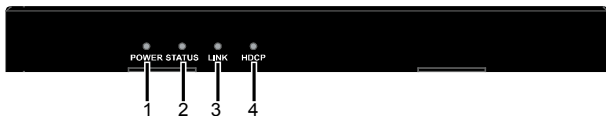
Before you start the installation of the product, please check the package contents:

- 1 x transmetteur 0E-HDMIEX4KR
- 1 x récepteur 0E-HDMIEX4KR
- 1 x Adaptateur électrique 18 VCC avec broches américaines
- 1 x émetteur IR
- 1 x récepteur IR large bande (30-50 kHz)
- 2 x connecteurs mâles Phoenix (3 broches 3,5 mm)
- 4 x supports de montage (avec vis)
- 1 x manuel d'utilisation

Panneau

Transmetteur

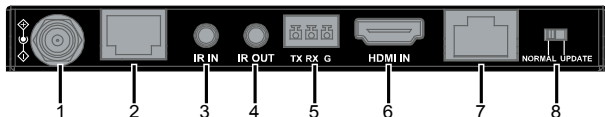
Panneau avant



N°	Nom	La description
1	VOYANT « POWER » (ALIMENTATION)	Allumé : Le transmetteur est en marche. Éteint : Le transmetteur est hors tension.
2	VOYANT D'ÉTAT	Clignotement lent : Le transmetteur fonctionne correctement. Éteint : Le transmetteur ne fonctionne pas correctement.
3	VOYANT « LINK » (LIAISON)	Allumé : Le transmetteur et le récepteur sont connectés. CLIGNOTEMENT : Exception de connexion Éteint : Aucune connexion.

N°	Nom	La description
4	VOYANT HDCP	Allumé : Du contenu à protection HDCP est en cours de transmission. CLIGNOTEMENT : Du contenu qui n'est pas à protection HDCP est en cours de transmission. Éteint : Aucun contenu n'est en cours de transmission.

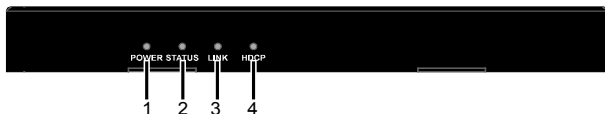
Panneau arrière



N°	Nom	La description
1	DC 18V	Se connecter à l'adaptateur d'alimentation fourni. Avec le PoC bidirectionnel pris en charge, un adaptateur électrique doit être connecté au transmetteur ou au récepteur pour alimenter les deux unités.
2	HDBT OUT	Connecter au port d'entrée HDBT du récepteur.
3	IR IN	Connecter au récepteur IR.
4	IR OUT	Connecter à l'émetteur IR.
5	RS232	Connecter à un appareil RS232 pour transmission ou connecter à un ordinateur pour mise à niveau du micrologiciel.
6	HDMI IN	Connecter à une source HDMI.
7	ETHERNET	Connecter à un point d'accès réseau ou à un terminal réseau.
8	MODE	NORMAL : Pour transmission RS232. MISE À JOUR : Pour la mise à niveau du micrologiciel.

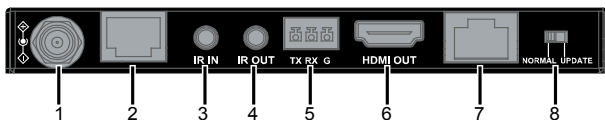
Récepteur

Panneau avant



N°	Nom	La description
1	VOYANT « POWER » (ALIMENTATION)	Allumé : Le récepteur est en marche. Éteint : Le récepteur est hors tension.
2	VOYANT D'ÉTAT	Clignotement lent : Le récepteur fonctionne correctement. Éteint : Le récepteur ne fonctionne pas correctement.
3	VOYANT « LINK » (LIAISON)	Allumé : Le transmetteur et le récepteur sont connectés. CLIGNOTEMENT : Exception de connexion Éteint : Aucune connexion.
4	VOYANT HDCP	Allumé : Vidéo HDCP en cours de transmission. CLIGNOTEMENT : Vidéo non HDCP est en cours de transmission. Éteint : Aucun signal HDMI.

Panneau arrière



N°	Nom	La description
1	18 VCC	Se connecter à l'adaptateur d'alimentation fourni. Avec la fonction PoC bidirectionnelle prise en charge, un seul adaptateur électrique doit être connecté au carillon du transmetteur ou au récepteur pour alimenter les deux unités.

N°	Nom	La description
2	HDBT IN	Connecter au port de sortie HDBT du transmetteur.
3	IR IN	Connecter au récepteur IR.
4	IR OUT	Connecter à l'émetteur IR.
5	RS232	Connecter à un appareil RS232 pour transmission ou connecter à un ordinateur pour mise à niveau du micrologiciel.
6	HDMI OUT	Connecter à un écran HDMI.
7	ETHERNET	Connecter à un point d'accès réseau ou à un terminal réseau.
8	MODE	NORMAL : Pour transmission RS232. MISE À JOUR : Pour la mise à niveau du micrologiciel.

Spécifications

Caractéristiques techniques	
Port d'entrée/de sortie	Transmetteur: 1 x HDMI IN, 1 x HDBT OUT, 1 x IR IN, 1 x IR OUT, 1 x RS232, 1 x ETHERNET, 1 x DC 18V IN Récepteur: 1 x HDMI OUT, 1 x HDBT IN, 1 x IR IN, 1 x IR OUT, 1 x RS232, 1 x ETHERNET, 1 x DC 18V IN
Type de signal d'entrée/de sortie	HDMI 1.4 avec 4K à 60Hz 4:2:0 8bit, HDCP 2.2
Résolution d'entrée/de sortie prise en charge	4K à 60 4:2:0 8bit /1080P/1080i/720P/576P/480P/576i/480i
Formats audio pris en charge	Prend en charge l'audio multicanal jusqu'à PCM 7,1, Dolby TrueHD, DTS-HD Master Audio, Dolby Atmos, DTS:X
Débit de données maximal	10.2Gbps
Horloge de pixels maximale	340MHz

Général	
Température de service	0 à 45 °C (32 à 113 °F)
Température de stockage	-20 à 70 °C (-4 à 158 °F)
Humidité	10 % à 90 % (sans condensation)
Protection DES	± 8 kV (décharge d'entrefer)/ ± 4 kV (décharge de contact)
Protection contre les surtensions	Tension : ± 1 kV

Général	
Alimentation	DC 18V 1A
Consommation d'énergie (max.)	Le récepteur est alimenté par le transmetteur : 13 W Le transmetteur est alimenté par le récepteur : 12,2 W Le transmetteur et le récepteur sont alimentés séparément : Transmetteur : 5,5 W, Récepteur : 7,6 W
Dimensions de l'appareil (l x H x P)	Transmetteur et récepteur : 13,5 cm x 1,49 cm x 7,42 cm/5,31 po x 0,59 po x 2,92 po
Poids du produit	Transmetteur et récepteur : 0,24 kg/0,53 lb

Distance de transmission

Remarque : Nous vous recommandons d'utiliser des câbles directs T568B.

Type de câble	Portée	Vidéo prise en charge
Cat 5e/6	100 m/330 pi	1080P à 60Hz
	70 m/230 pi	1080P à 60 Hz
Cat 6a/7	100 m/330 pi	1080P à 60 Hz 3D
		4K2K à 30Hz 4:4:4 4K à 60Hz 4:2:0
HDMI	Entrée sortie: 10 m/33 pi	4K2K à 30Hz 4:4:4 4K à 60Hz 4:2:0

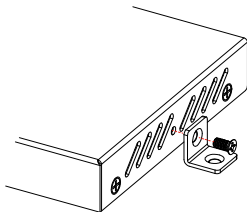
Installation et câblage

Installation des supports

Remarque : Avant l'installation, assurez-vous que l'appareil n'est pas branché à une source d'alimentation.

Étapes de pose de l'appareil à un endroit approprié :

1. Fixer le support d'installation au bâti en utilisant les vis qui ont été fournies séparément, dans l'ensemble.
2. Le support est fixé au bâti comme illustré.



3. Répéter les étapes 1 et 2 pour l'autre côté de l'unité.
4. Fixer les supports sur la surface qui tiendra votre unité en utilisant les vis (fournies par d'autres).
5. Répéter les étapes 1 à 4 pour installer le récepteur.

Câblage

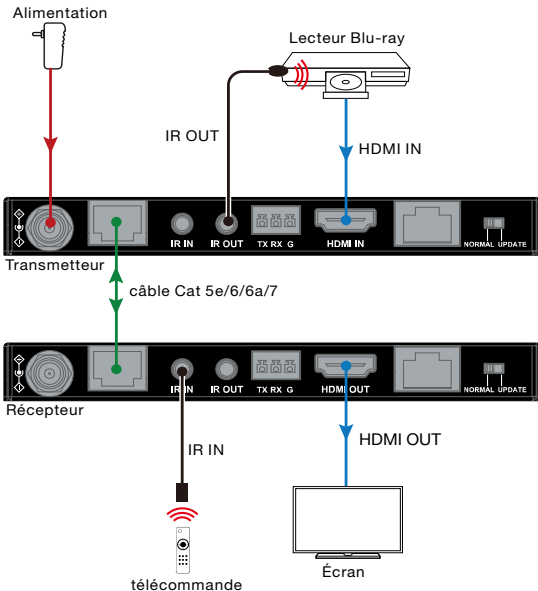
Avertissements :

- Avant de commencer le câblage, coupez l'alimentation de l'appareil.
- Durant le câblage, prenez soin lorsque vous branchez et débranchez les câbles.

Étapes pour le câblage de l'appareil :

1. Connecter à une source HDMI (par exemple, un Lecteur Blu-ray) aux ports d'entrée HDMI du transmetteur.
2. Connecter un câble Cat 5e/6/6a/7 à partir du port de sortie HDBT du transmetteur au port d'entrée HDBT du récepteur.
3. Connecter un écran HDMI (par exemple, une télévision) au port de sortie HDMI du récepteur.
4. Connecter le câble d'émetteur IR fourni au port de sortie IR du transmetteur/du récepteur et connecter le câble récepteur IR au port d'entrée IR du transmetteur/du récepteur. La télécommande de la source peut contrôler la source au niveau du récepteur ou la télécommande de l'écran peut contrôler l'affichage au niveau du transmetteur.

- Connecter l'adaptateur d'alimentation du transmetteur au récepteur. Avec la fonction PoC bidirectionnelle prise en charge, un seul adaptateur d'alimentation est nécessaire pour alimenter les deux unités.
- Alimentez tous les appareils connectés.

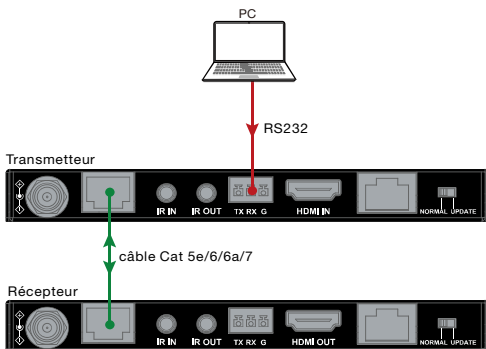


Commande RS232

Vous pouvez utiliser un port RS232 sur le transmetteur et le récepteur pour vous connecter à un ordinateur pour mettre à jour le micrologiciel ou connecter un appareil RS232 pour communiquer avec un autre appareil RS232 connecté sur l'autre côté de l'amplificateur avec un câble Cat 5e/6/6a/7.

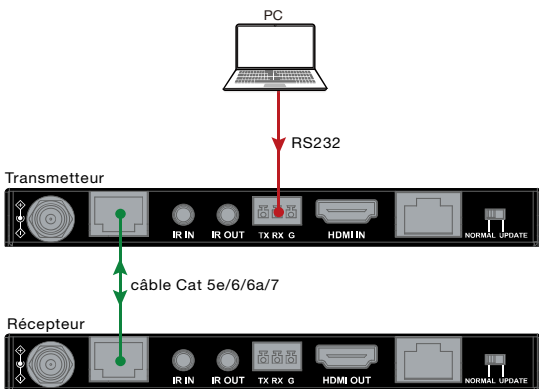
Scénario 1

Glisser l'interrupteur « MODE » de TX/RX jusqu'à « MISE À JOUR », connecter un ordinateur au port RS232 de TX/RX pour mettre à jour.



Scénario 2

Glisser l'interrupteur « MODE » de TX/RX jusqu'à « NORMAL », connecter des appareils RS232 aux ports RS232 de TX/RX.



Garantie limitée

1. Garantie limitée

a. Général

Soumis aux conditions générales de cette garantie limitée à partir de la date de vente pour la durée des catégories de produits définies à la section 1(b), ADI garantit que ses produits AVARRO sont exempts de défauts de matériel et de fabrication selon un usage normal, à l'exception d'une usure normale. Sauf si la loi l'exige, la présente garantie limitée est offerte uniquement à l'acheteur et ne peut être transférée à un tiers.

En vertu de la présente garantie limitée et autre obligation, ADI n'endossera aucune responsabilité dans les cas suivants :

- (i) le produit est mal installé, mal appliqué ou mal entretenu;
- (ii) le produit est installé de manière non conforme aux paramètres d'utilisation indiqués, est modifié ou est mal entretenu ou réparé;
- (iii) le produit est endommagé suite à des phénomènes naturels extérieurs comme la foudre, une surcharge électrique, un incendie, une inondation, un acte de la nature ou un phénomène similaire;
- (iv) les défauts du produit sont le résultat d'une modification non autorisée, d'une mauvaise utilisation, d'un acte de vandalisme ou d'autres causes non liés aux vices de matériaux ou de fabrication, ou à une défaillance des piles de quelque type que ce soit utilisées avec les produits vendus aux termes des présentes.

ADI garantit uniquement les produits portant la marque AVARRO et vendus par ADI. Les autres produits portant une marque de tiers sont garantis par le fabricant tiers pendant une période définie par ce dernier, et ADI cède à l'acheteur ces garanties et uniquement les garanties offertes par ces fabricants tiers ou vendeurs à l'égard de produits ne portant pas ses marques. ADI ne garantit pas de produits ne portant pas ses marques et vend ces produits tels quels, conformément à ses modalités de vente.

- b. Les garanties particulières applicables aux catégories de produits sont les suivantes :

Catégories de produits	Période de garantie
Distribution HDMI	Garantie 2 ans

2. EXCLUSION DE GARANTIES ET LIMITATION DE RESPONSABILITÉ

AUCUNE GARANTIE OU CONDITION, EXPRESSE OU IMPLICITE DE QUALITÉ MARCHANDE OU D'ADAPTABILITÉ À UN USAGE PARTICULIER N'EST OFFERTE, OUTRE LA DESCRIPTION CI-PRÉSENTE. DANS LA PLEINE MESURE PERMISE PAR LA LOI, ADI NE SAURAIT EN AUCUN CAS ÊTRE TENUE RESPONSABLE ENVERS QUICONQUE DES DOMMAGES CONSÉCUTIFS, INDIRECTS, SPÉCIAUX OU PUNITIFS DÉCOULANT DU PRODUIT OU LIÉS À CELUI-CI DE QUELQUE FAÇON QUE CE SOIT ET/OU DU NON-RESPECT DE LA PRÉSENTE GARANTIE OU DE TOUTE AUTRE GARANTIE OU CONDITION, EXPRESSE OU IMPLICITE, OU DE TOUTE AUTRE RÉCLAMATION FONDÉE SUR LA RESPONSABILITÉ, MÊME SI LA PERTE OU LES DOMMAGES SONT CAUSÉS PAR LA NÉGLIGENCE OU LA FAUTE D'ADI ET MÊME SI CETTE DERNIÈRE A ÉTÉ AVISÉE DE LA POSSIBILITÉ QUE DE TELLES PERTES OU DE TELS DOMMAGES SURVIENNENT. Les descriptions de produits (fournies par écrit ou verbalement par ADI ou ses mandataires), caractéristiques techniques, échantillons, modèles, bulletins, dessins, diagrammes, esquisses techniques ou documents similaires utilisés par l'acheteur pour passer une commande visent uniquement à décrire les produits d'ADI et ne doivent pas être interprétés comme des garanties ou conditions expresses. Les suggestions faites par ADI ou ses mandataires au sujet de l'utilisation, de l'application ou du caractère approprié des produits ne doivent pas être interprétées comme des garanties ou conditions expresses, sauf si ADI confirme par écrit qu'il s'agit de garanties ou de conditions expresses. ADI ne garantit pas qu'il n'y aura aucune atteinte à l'intégrité des produits qu'elle vend ou que les produits qu'elle vend ne seront pas contournés, qu'ils préviendront les blessures ou les pertes matérielles en cas de cambriolage, de vol, d'incendie ou autrement ou qu'ils constitueront dans tous les cas une protection ou un avertissement approprié. L'acheteur comprend qu'un produit dûment installé

et entretenu permet uniquement de réduire le risque de cambriolage, de vol ou d'incendie sans avertissement, mais qu'il ne constitue pas une assurance ou une garantie qu'un tel événement ne se produira pas ou qu'il n'entraînera pas des blessures ou des pertes matérielles. PAR CONSÉQUENT, ADI NE SAURAIT ÊTRE TENUE RESPONSABLE DES BLESSURES, DES DOMMAGES MATÉRIELS OU D'AUTRES PERTES FAISANT L'OBJET D'UNE RÉCLAMATION, Y COMPRIS UNE RÉCLAMATION SELON LAQUELLE LE PRODUIT N'AURAIT PAS DONNÉ DE SIGNAL D'AVERTISSEMENT. Toutefois, si ADI est tenue responsable, directement ou indirectement, de pertes ou de dommages à l'égard des produits qu'elle vend, quelle qu'en soit la cause ou l'origine, sa responsabilité n'excédera en aucun cas le prix d'achat du produit, dont le remboursement sera exigé à titre de dommages-intérêts extrajudiciaires et non d'amende, et il s'agira du recours exclusif et intégral pouvant être exercé contre ADI.

3. Limitation de la responsabilité envers les clients de l'acheteur.

L'acheteur accepte de limiter la responsabilité à ses clients dans la pleine mesure permise par la loi. L'acheteur reconnaît qu'ADI ne sera réputée avoir fourni aux consommateurs de ses produits que les garanties qui sont exigées par la loi. L'acheteur ne doit en aucun cas déclarer à ses clients et/ou aux utilisateurs des produits d'ADI que cette dernière offre d'autres garanties. Par l'acceptation des produits, l'acheteur assume, dans la pleine mesure permise par la loi, la pleine responsabilité à l'égard de toutes les poursuites, réclamations, mises en demeure et causes d'action et à l'égard de tous les jugements se rapportant à des dommages-intérêts, que ce soit pour des préjudices personnels ou des dommages matériels, subis par une personne, une firme, une société ou une association commerciale, y compris les clients de l'acheteur et/ou les utilisateurs des produits, en raison de toute omission de la part des produits de déceler le danger pour la détection duquel ils sont conçus et/ou de donner l'alerte de ce danger ou un avertissement de toute autre défaillance des produits, que ces dommages aient été causés par la négligence dont ADI est l'auteur ou le coauteur, et il tiendra ADI à couvert à cet égard et prendra fait et cause pour lui.

4. Retours

Sous réserve des conditions générales énumérées ci-dessous et durant la période de garantie applicable, ADI remplacera ou créditera tout produit défectueux retourné port payé à sa seule discrétion et sans frais. L'obligation qui incombe à ADI de remplacer le produit visé par une garantie à vie limitée aux termes de la garantie en question si celui-ci est défectueux se limite à la disponibilité d'un produit de remplacement. ADI se réserve le droit de remplacer un produit défectueux par le produit qui est disponible à ce moment-là, ou de donner une note de crédit, à son gré. Si l'acheteur a un problème avec un produit d'ADI, il doit appeler sa succursale ADI locale pour connaître la marche à suivre pour retourner le produit.

Aux États-Unis, composer le 1 800 233-6261

Au Canada, composer le 877 234-7378

À Porto Rico, composer le 787 793-8830

N'oubliez pas d'avoir en main le numéro de modèle et la nature du problème. En cas de remplacement, le prix du produit retourné sera porté au crédit du compte de l'acheteur et une nouvelle facture sera établie pour le produit de remplacement. ADI se réserve le droit de donner une note de crédit plutôt que de remplacer le produit.

Si l'on établit que le produit AVARRO n'est pas défectueux ou que son mauvais fonctionnement résulte d'une utilisation abusive ou de dommages causés par l'utilisateur, le produit sera retourné à l'acheteur dans le même état que celui dans lequel il a été reçu et l'acheteur devra acquitter les frais de transport.

5. Droit applicable

Les lois de l'État de New York s'appliquent à la présente garantie limitée.

6. Divers

Si une modalité de la présente garantie limitée est interdite par ces lois, elle sera nulle, mais le reste de la présente garantie limitée demeurera pleinement en vigueur.

Introducción

Descripción

Este producto es un extensor HDBaseT diseñado para llevar señales 4K HDMI hasta 70 m/230 pies a través de un solo cable 5e/6 y 100 m/330 pies a través de un solo cable 6a/7. El transmisor y el receptor tan solo necesitan una única fuente de alimentación para alimentar a ambos dispositivos mediante su función PoC bidireccional. El extensor también admite una conexión de paso IR bidireccional y una conexión de paso RS232 bidireccional. Con la conexión de paso ethernet bidireccional que admite, conectar una PC al puerto ethernet del transmisor/receptor y conectar el puerto ethernet del receptor/transmisor a la red local del área, la PC puede acceder a la red local del área.

El extensor es fácil de instalar y ahorra espacio, ofrece soluciones para el hogar, la oficina, los centros de entretenimiento digitales, centros de control, salas de conferencia, escuelas y lugares de capacitación corporativa.

Características

- Perfil delgado, ahorra espacio y fácil de instalar.
- Capacidad de 4K/UHD a 60 Hz con muestreo de crominancia de bits 4:2:0 8.
- Cumple con HDCP 2.2.
- Puede transmitir señal de 4K y señal de 1080p hasta 100 m/330 pies a través de un cable 6a/7.
- Puede transmitir señal de 4K hasta 70 m/ 230 pies y señal de 1080p hasta 100 m/330 pies a través de un cable 5a/6.
- Admite que las señales RS232, IR y Ethernet pasen a través del HDBT.
- PoC bidireccional, un adaptador de corriente en el transmisor o el receptor puede alimentar a ambas unidades.

Contenido del paquete

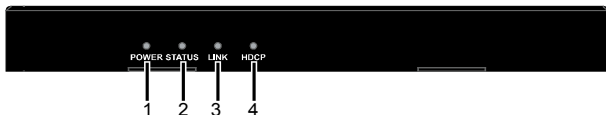
Antes de comenzar a instalar el producto, verifique el contenido del paquete:

- 1 transmisor 0E-HDMIEX4KR
- 1 receptor 0E-HDMIEX4KR
- 1 adaptador de CC de 18 V con pines para EE. UU.
- 1 emisor IR
- 1 receptor IR de banda ancha (30-50 KHz)
- 2 conectores macho Phoenix (3 pines de 3.5 mm)
- 4 soportes de montaje (con tornillos)
- 1 manual del usuario

Panel

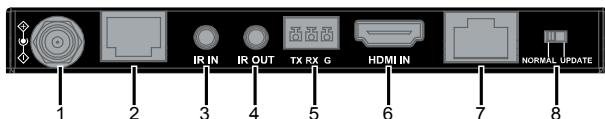
Transmisor

Panel frontal



N.º	Nombre	Descripción
1	LED DE ALIMENTACIÓN	ENCENDIDO: El transmisor está encendido. APAGADO: El transmisor está apagado.
2	LED DE ESTADO	Titila despacio: El transmisor está funcionando bien. APAGADO: El transmisor no está funcionando bien.
3	LED DE ENLACE	ENCENDIDO: El transmisor y el receptor están conectados. INTERMITENTE: Excepción de conexión APAGADO: No hay conexión.
4	LED DE HDCP	INTERMITENTE: Se está transmitiendo contenido sin protección HDCP. APAGADO: No se está transmitiendo contenido.

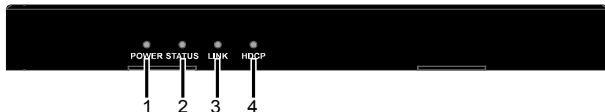
Panel trasero



N.º	Nombre	Descripción
1	DC 18V	Conectar al adaptador de corriente provisto. Dado que admite PoC bidireccional, se debe conectar un adaptador de corriente al transmisor o al receptor para alimentar las dos unidades.
2	HDBT OUT	Conectar al puerto de entrada HDBT IN del receptor.
3	IR IN	Conectar al receptor IR.
4	IR OUT	Conectar al emisor IR.
5	RS232	Conectar al dispositivo para RS232 para la conexión de paso o conectar a una PC para actualizar el firmware.
6	HDMI IN	Conectar a una fuente HDMI.
7	ETHERNET	Conectar a un punto de acceso de red o a un dispositivo de terminal de red.
8	MODE	NORMAL: Para conexión de paso RS232 ACTUALIZAR: Para actualizar el firmware.

Receptor

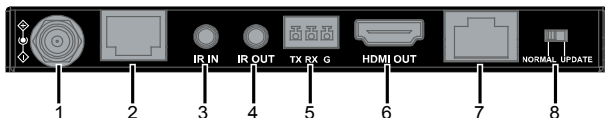
Panel frontal



N.º	Nombre	Descripción
1	LED DE ALIMENTACIÓN	ENCENDIDO: El receptor está encendido. APAGADO: El receptor está apagado.
2	LED DE ESTADO	Titila despacio: El receptor está funcionando bien. APAGADO: El receptor no está funcionando bien.

N.º	Nombre	Descripción
3	LED DE ENLACE	ENCENDIDO: El transmisor y el receptor están conectados. INTERMITENTE: Excepción de conexión APAGADO: No hay conexión.
4	LED DE HDCP	INTERMITENTE: Se está transmitiendo contenido sin protección HDCP. APAGADO: No se está transmitiendo contenido.

Panel trasero



N.º	Nombre	Descripción
1	DC 18V	Conectar al adaptador de corriente provisto. Dado que admite PoC bidireccional, se debe conectar un adaptador de corriente al transmisor o al receptor para alimentar las dos unidades.
2	HDBT IN	Conectar al puerto de salida HDBT OUT del transmisor.
3	IR IN	Conectar al receptor IR.
4	IR OUT	Conectar al emisor IR.
5	RS232	Conectar al dispositivo para RS232 para la conexión de paso o conectar a una PC para actualizar el firmware.
6	HDMI OUT	Conectar a un monitor HDMI.
7	ETHERNET	Conectar a un punto de acceso de red o a un dispositivo de terminal de red.
8	MODE	NORMAL: Para conexión de paso RS232 ACTUALIZAR: Para actualizar el firmware.

Especificaciones

Técnica	
Puerto de entrada/salida	Transmisor: 1 x HDMI IN, 1 x HDBT OUT, 1 x IR IN, 1 x IR OUT, 1 x RS232, 1 x ETHERNET, 1 x DC 18V IN Receptor: 1 x HDMI OUT, 1 x HDBT IN, 1 x IR IN, 1 x IR OUT, 1 x RS232, 1 x ETHERNET, 1 x DC 18V IN
Tipo de señal de entrada/salida	HDMI 1.4 con 4K a 60Hz 4:2:0 8bit, HDCP 2.2
Resolución de entrada/salida admitida	4K a 60 4:2:0 8bit /1080P/1080i/720P/576P/480P/576i/480i
Formato de audio admitido	Admite audio multicanal hasta PCM 7.1, Dolby True HD, DTS HD Master Audio, Dolby Atmos y DTS: X
Velocidad máxima de datos	10.2 Gbps
Reloj de píxeles máximo	340MHz

General	
Temperatura operativa	De 0 °C a 45 °C (32 °F a 113 °F)
Temperatura de almacenamiento	De -20 °C a 70 °C (-4 °F a 158 °F)
Humedad	De 10 % a 90 %, sin condensación
Protección contra descargas electrostáticas	± 8 kV (descarga por espacio de aire)/ ± 4kV (descarga por contacto)
Protección contra sobretensión	Voltaje: ±1 kV
Fuente de alimentación	DC 18V 1A
Consumo de energía (máx.)	Receptor alimentado por el transmisor: 13 W Transmisor alimentado por el receptor: 12.2 W Transmisor y receptor alimentados por separado: Transmisor: TX: 5.5 W, RX: 7.6 W
Medidas del dispositivo (ancho x altura x profundidad)	Transmisor/receptor: 13.5 cm x 1.49 cm x 7.42 cm/5.31" x 0.59" x 2.92"
Peso del producto	Transmisor/receptor: 0.24 kg/0.53 lb

Distancia de la transmisión

Nota: Recomendamos usar cables directos T568B.

Tipo de cable	Rango	Video admitido
Cat 5e/6	100 m/330 pies	1080P a 60Hz
	70 m/230 pies	1080P a 60 Hz
Cat 6a/7	100 m/330 pies	1080P a 60 Hz 3D
		4K2K a 30Hz 4:4:4 4K a 60Hz 4:2:0
HDMI	De entrada y salida: 10 m/33 pies	4K2K a 30Hz 4:4:4 4K a 60Hz 4:2:0

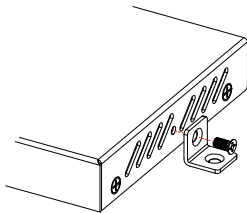
Instalación y cableado

Instalación de los soportes

Nota: Antes de la instalación, asegúrese de que el dispositivo esté desconectado de la fuente de alimentación.

Pasos para instalar el dispositivo en un lugar adecuado:

1. Usar los tornillos provistos por separado en el paquete para fijar los soportes de instalación al gabinete.
2. El soporte se fija al gabinete como se muestra.



3. Repetir los pasos 1 y 2 para los otros lados de la unidad.
4. Fijar los soportes a la superficie que quiera para sostener la unidad. Para ello, hay que usar los tornillos (no están incluidos).
5. Repetir los pasos del 1 a 4 para instalar el receptor.

Cableado

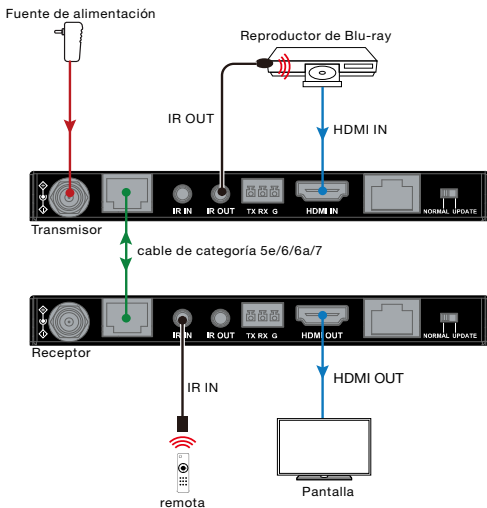
Advertencias:

- Antes de cablear, desconectar el equipo de la fuente de alimentación.
- Durante el cableado, conectar y desconectar los cables con cuidado.

Pasos para el cableado del equipo:

1. Conectar una fuente de HDMI (como un reproductor de Blu-ray) al puerto de entrada HDMI IN del transmisor.

- Usar un cable 5e/6/6a/7 para conectar el puerto de salida HDBT OUT del transmisor al puerto de entrada HDBT IN del receptor.
- Conectar una pantalla de HDMI (como un TV) al puerto de salida HDMI OUT del receptor.
- Conectar el cable emisor IR provisto al puerto de salida IR OUT del transmisor/receptor y conecte el cable receptor IR provisto al puerto de entrada IR IN del receptor/transmisor. La fuente remota puede controlar la fuente en el lado del receptor o la pantalla remota puede controlar la pantalla en el lado del transmisor.
- Conectar el adaptador de corriente provisto al transmisor o al receptor. Dado que admite PoC bidireccional, se debe conectar un solo adaptador de corriente para dar energía a las dos unidades.
- Encender todos los dispositivos conectados.

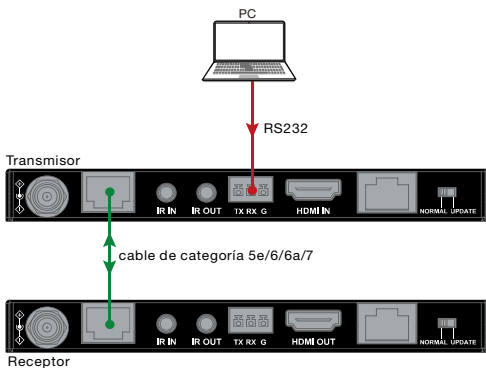


Control RS232

Puede usar un puerto RS232 en el transmisor y el receptor para conectar a una computadora y actualizar el firmware o conectar un dispositivo RS232 para comunicarse con otro dispositivo RS232 del otro lado del extensor mediante un cable 5e/6/6a/7.

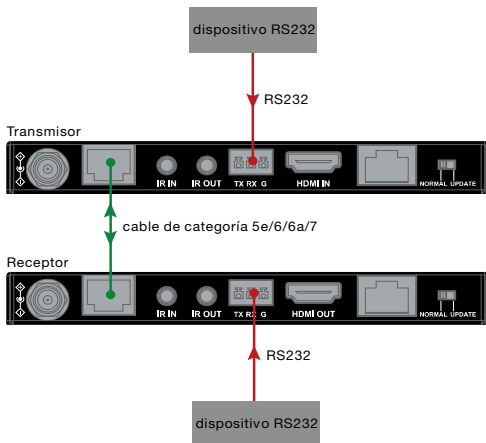
Escenario 1

Deslice el interruptor "MODE" (MODO) de TX/RX al lado "UPDATE" (ACTUALIZAR), conectar una PC al puerto RS232 de TX/RX para su actualización.



Escenario 2

Deslizar los interruptores “MODE” (MODO) de TX/RX al lado “NORMAL”, conectar los dispositivos RS232 a los puertos RS232 de TX/RX.



Garantía limitada

1. Garantía limitada

a. General

Sujeto a los términos y condiciones de esta Garantía limitada, desde la fecha de venta hasta el período correspondiente a las categorías de productos especificadas en la Sección 1(b), ADI garantiza que los productos de la marca AVARRO están libres de defectos en los materiales y de mano de obra en condiciones de uso y servicio normales, excepto por el desgaste normal. Salvo que lo exija la ley, esta Garantía limitada se otorga únicamente al Comprador y no puede ser cedida a ningún tercero.

ADI no tendrá ninguna obligación en virtud de esta Garantía limitada ni de ningún otro concepto si:

- (i) El producto se instala, aplica o mantiene de manera incorrecta.
- (ii) El producto se instala fuera de los parámetros de funcionamiento indicados, se altera o es objeto de mantenimiento o reparaciones inadecuados.
- (iii) El daño es causado por sucesos naturales externos, como rayos, sobrecargas eléctricas, incendios, inundaciones, fenómenos de la naturaleza o similares.
- (iv) Los defectos son consecuencia de modificaciones no autorizadas, uso indebido, vandalismo u otras causas no relacionadas con materiales defectuosos ni con defectos de fabricación, o fallas relacionados con baterías de cualquier tipo utilizadas con los productos vendidos según el presente documento.

ADI solo garantiza los productos de la marca AVARRO y vendidos por ADI. Cualquier otro producto con marca de terceros está garantizado por el fabricante externo por un período definido por ese fabricante, y ADI asigna al Comprador esas garantías y solo las garantías otorgadas por dichos fabricantes o proveedores externos para los productos que no son de marca ADI. ADI no garantiza por sí misma ningún producto que no sea de la marca ADI y solo lo vende "tal como está", de acuerdo con los términos y condiciones de venta de ADI.

b. Las garantías específicas para las categorías de productos son las siguientes:

Categorías de productos	Período de garantía
Distribución HDMI	2 años

2. EXCLUSIÓN DE GARANTÍAS, LIMITACIÓN DE RESPONSABILIDAD
NO EXISTEN GARANTÍAS NI CONDICIONES, EXPRESAS O IMPLÍCITAS, DE COMERCIALIZACIÓN O IDONEIDAD PARA UN FIN DETERMINADO O DE OTRO TIPO, QUE VAYAN MÁS ALLÁ DE LA DESCRIPCIÓN QUE FIGURA EN EL PRESENTE DOCUMENTO. EN LA MEDIDA EN QUE LO PERMITA LA LEY, EN NINGÚN CASO ADI SERÁ RESPONSABLE ANTE NADIE DE NINGÚN DAÑO (I) CONSECUENTE, INCIDENTAL, INDIRECTO, ESPECIAL O PUNITIVO QUE SURJA O SE RELACIONE DE ALGUNA MANERA CON EL PRODUCTO Y/O DEL INCUMPLIMIENTO DE ESTA O CUALQUIER OTRA GARANTÍA O CONDICIÓN, EXPRESA O IMPLÍCITA, O SOBRE CUALQUIER OTRA BASE DE RESPONSABILIDAD, AUNQUE LA PÉRDIDA O EL DAÑO SEA CONSECUENCIA DE LA PROPIA NEGLIGENCIA O CULPA DE ADI, Y AUNQUE ADI HAYA SIDO ADVERTIDA DE LA POSIBILIDAD DE TALES PÉRDIDAS O DAÑOS. Cualesquiera sean la descripción del producto (expresada por escrito u oralmente por ADI o por los representantes de ADI), las especificaciones, las muestras, los modelos, el anuncio, los dibujos, los diagramas, las hojas de ingeniería o materiales similares utilizados en relación con el pedido del Comprador tienen el único propósito de identificar los productos de ADI y no se interpretarán como una garantía o condición expresa. Cualquier sugerencia de ADI o de los representantes de ADI en relación con el uso, las aplicaciones o la idoneidad de los productos no se interpretará como una garantía o condición expresa, a menos que ADI la confirme como tal por escrito. ADI no garantiza que los productos que vende no puedan verse comprometidos ni alterados; que los productos impedirán cualquier daño personal o pérdida de propiedad por robo, hurto, incendio u otro motivo, o que los productos proporcionarán en todos los casos la advertencia o protección adecuada. El Comprador entiende y hará entender a su cliente que un producto correctamente instalado y

mantenido no constituye un seguro ni una garantía de que no causará ni provocará daños personales o pérdidas materiales. EN CONSECUENCIA, ADI NO TENDRÁ NINGUNA RESPONSABILIDAD DE LESIONES PERSONALES, DAÑOS A LA PROPIEDAD O CUALQUIER OTRA PÉRDIDA BASADA EN CUALQUIER RECLAMACIÓN, INCLUIDA LA RECLAMACIÓN DE QUE EL PRODUCTO NO HAYA DADO ADVERTENCIA. Sin embargo, si ADI es responsable, directa o indirectamente, de cualquier pérdida o daño con respecto a los productos que vende, independientemente de la causa o el origen, su responsabilidad máxima no superará en ningún caso el precio de compra del producto, que se fijará como daños liquidados y no como una penalización, y constituirá la única y toda medida de reparación contra ADI.

3. Limitación de la responsabilidad ante los clientes del Comprador.

El Comprador se compromete a limitar la responsabilidad ante sus clientes en la medida en que lo permita la ley. El Comprador reconoce que solo se considerará que ADI da a los consumidores de sus productos las garantías legales que puedan ser exigidas por la ley y en ningún momento el Comprador manifestará a sus clientes y/o usuarios de los productos de ADI que ADI otorga alguna garantía adicional. Al aceptar los productos, en la medida en que lo permita la ley, el Comprador asume toda la responsabilidad de, y acepta indemnizar y eximir a ADI de responsabilidad y defenderla de, cualesquier y todos los juicios, reclamos, demandas, causas de acción y sentencias relacionadas con daños, ya sea por lesiones personales o a la propiedad personal, sufridos por cualquier persona, firma, corporación o asociación comercial, e incluye, entre otros, a los clientes del Comprador y/o los usuarios de los productos debido a cualquier incumplimiento de los productos en cuanto a detectar y/o advertir del peligro para el cual los bienes fueron diseñados o cualquier otro incumplimiento de los productos, sin importar si la negligencia o culpa individual, colectiva o concomitante de ADI hayan causado o contribuido a tales daños.

4. Devoluciones

Sujeto a los términos y condiciones que se enuncian a continuación, durante el período de garantía aplicable, ADI reemplazará el producto u otorgará un crédito

en la compra, a su sola opción, sin cargo alguno, por cualquier producto defectuoso devuelto con franqueo pagado. Cualquier obligación de ADI de reemplazar los productos de la garantía limitada de por vida en virtud de esta garantía que resulte de un defecto está limitada a la disponibilidad del producto de reemplazo. ADI se reserva el derecho de reemplazar cualquiera de esos productos por los productos disponibles en ese momento, o proporcionar un crédito a su entera discreción. En el caso de que el Comprador tenga un problema con cualquier producto de ADI, debe llamar a su sucursal local de ADI a fin de recibir instrucciones para hacer la devolución:

Para Estados Unidos, llame al 1-800-233-6261

Para Canadá, llame al 877-234-7378

Para Puerto Rico, llame al 787-793-8830

Asegúrese de tener a mano el número de modelo y la naturaleza del problema. En caso de reemplazo, el producto devuelto se acreditará en la cuenta del Comprador y se emitirá una nueva factura por el artículo de reemplazo. ADI se reserva el derecho de emitir un crédito solo a cambio del reemplazo.

Si se determina que cualquier producto de la marca AVARRO se encuentra en buen estado de funcionamiento o que la incapacidad de dicho producto para funcionar correctamente es el resultado de daño o uso indebido por parte del usuario, el producto será devuelto al Comprador en las mismas condiciones en que lo recibió y el Comprador será responsable de cualquier costo de envío de la devolución.

5. Ley competente

Esta Garantía Limitada se rige por las leyes del estado de Nueva York.

6. Varios

Cuando dichas leyes prohíban algún término de esta Garantía limitada, este será considerado nulo y sin efecto, pero el resto de la Garantía limitada seguirá teniendo pleno vigor y efecto.

