



# Table of Contents

Introduction .....	3
Overview .....	3
Features .....	3
Package Contents .....	4
Panel .....	4
Transmitter .....	4
Receiver .....	5
Specification .....	6
Installation and Wiring.....	8
Brackets Installation .....	8
Wiring .....	9
RS232 Pass-Through.....	12
Limited Warranty .....	13
Introduction .....	17
Aperçu.....	17
Caractéristiques.....	17
Contenu.....	18
Panneau .....	18
Transmetteur.....	18
Récepteur .....	20
Spécifications .....	21
Installation et câblage .....	23
Installation des supports .....	23
Câblage.....	24
Compatible RS232 .....	27
Garantie limitée .....	28
Introducción .....	32
Descripción .....	32
Características .....	32
Contenido del paquete .....	33

Panel .....	33
Transmisor .....	33
Receptor .....	34
Especificaciones .....	36
Instalación y cableado .....	37
Instalación de los soportes .....	37
Cableado .....	38
Conexión de paso RS232 .....	42
Garantía limitada .....	43

# Introduction

## Overview

This product is an HDBaseT Extender kit. It supports 4K@60 4:4:4 with HDR and HDCP 2.2 compatibility, and offers the distribution of uncompressed UHD video, audio, power, and IR together up to 40m/131ft over a single Cat 6a/7 cable.

It also supports bi-directional IR pass-through and bi-directional RS232 pass-through. By the DIP switch of Audio Output on the receiver, it's able to configure the ARC channel feed by TV (with ARC support), or auxiliary S/PDIF Input port. This suit also provides an HDMI audio de-embedding with phoenix analog connector. Its proprietary two-way PoC technology, with LED indication for visual power supply to units and signal status to show established connection between connected devices.

## Features

- 4K/UHD capability @60 Hz with 4:4:4 Chroma sampling, plus support for HDR formats.
- HDCP 2.2 compatibility.
- Supports HD signal transmission up to 60 meters (1080P) and 35 meters (4K@60Hz YUV 4:4:4) via a single Cat 5e/6 cable.
- Supports HD signal transmission up to 70 meters (1080P) and 40 meters (4K@60Hz YUV 4:4:4) via a single Cat 6a/7 cable.
- Visual Lossless Compression enables 4K@60 HDR extension over HDBaseT.
- Receiver to transmitter audio return via ARC or digital coax pathway.
- HDMI audio de-embedding with phoenix analog connector.
- Extends RS232, IR control signals.
- Support nonstandard bi-directional PoC power supply.
- Automatic EDID management.
- Visual LEDs indication.

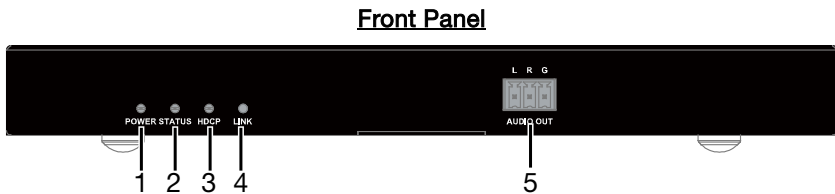
# Package Contents

Before you start the installation of the product, please check the package contents:

- 1 x 0E-HDMIEX4KA Transmitter
- 1 x 0E-HDMIEX4KA Receiver
- 1 x DC 12V Power Adapter with US Pins
- 1 x IR Emitter
- 1 x Broadband IR Receiver (30-50KHz)
- 2 x Phoenix Male Connector (3.5mm 3-Pin)
- 4 x Mounting Brackets
- 1 x User Manual

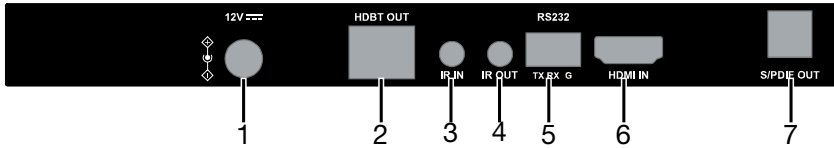
## Panel

### Transmitter



No.	Name	Description
1	POWER LED	<b>ON:</b> The transmitter is powered on. <b>OFF:</b> The transmitter is powered off.
2	STATUS LED	<b>FLASHING SLOWLY:</b> The transmitter is working properly. <b>OFF:</b> The transmitter is not working properly.
3	HDCP LED	<b>ON:</b> HDCP protected content is being transmitted. <b>FLASHING QUICKLY:</b> Non-HDCP protected content is being transmitted. <b>OFF:</b> No content is being transmitted.
4	LINK LED	<b>ON:</b> HDBT link is normal. <b>OFF:</b> No HDBT link or link error.
5	AUDIO OUT	HDMI audio de-embedding, connect to audio system like AV receiver.

## Rear Panel



No.	Name	Description
1	DC 12V	Connect to the power adapter provided. With bi-directional PoC supported, one power adapter is needed to be connected to transmitter or receiver to power both units.
2	HDBT OUT	Connect to HDBT IN port of receiver.
3	IR IN	Connect to IR receiver.
4	IR OUT	Connect to IR emitter.
5	RS232	Connect to a RS232 enabled device for RS232 Passing Through.
6	HDMI IN	Connect to an HDMI source.
7	S/PDIF OUT	Connect to audio system like AV receiver.

## Receiver

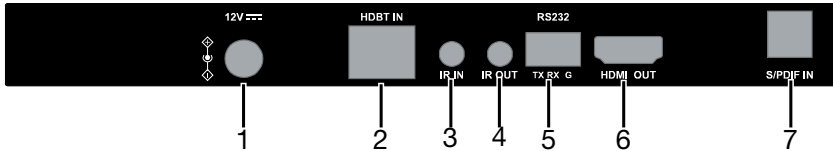
### Front Panel



No.	Name	Description
1	POWER LED	<b>ON:</b> The receiver is powered on. <b>OFF:</b> The receiver is powered off.
2	STATUS LED	<b>FLASHING SLOWLY:</b> The receiver is working properly. <b>OFF:</b> The receiver is not working properly.
3	HDCP LED	<b>ON:</b> HDCP protected content is being transmitted. <b>Flashing Quickly:</b> Non-HDCP protected content is being transmitted. <b>OFF:</b> No content is being transmitted.
4	LINK LED	<b>ON:</b> HDBT link is normal. <b>OFF:</b> No HDBT link or link error.

No.	Name	Description
5	AUDIO CONTROL	<b>ARC</b> , configure ARC channel feed by TV <b>S/PDIF IN</b> , configure auxiliary S/PDIF input, pass optical audio from RX to TX unit

### Rear Panel



No.	Name	Description
1	DC 12V	Connect to the power adapter provided. With bi-directional PoC supported, one power adapter is needed to be connected to transmitter or receiver to power both units.
2	HDBT IN	Connect to HDBT OUT port of transmitter.
3	IR IN	Connect to IR receiver.
4	IR OUT	Connect to IR emitter.
5	RS232	Connect to control system for RS232 Passing Through.
6	HDMI OUT	Connect to an HDMI display.
7	S/PDIF IN	Connect to an audio source device on S/PDIF IN mode.

## Specification

Technical	
Input/Output Port	<b>Transmitter:</b> 1 x HDMI IN, 1 x HDBT OUT, 1 x AUDIO OUT (3-Pin Phoenix Connector), 1 x IR IN, 1 x IR OUT, 1 x S/PDIF OUT, 1 x RS232, 1 x DC 12V IN <b>Receiver:</b> 1 x HDBT IN, 1 x HDMI OUT, 1 x IR IN, 1 x IR OUT, 1 x RS232, 1 x S/PDIF IN, 1 x DC 12V IN
Input/Output Signal Type	HDMI with 4K@60Hz, 4:4:4 8bit, HDCP 2.2
Input/Output Resolution Supported	800x600 <sup>8</sup> , 1024x768 <sup>8</sup> , 1280x768 <sup>8</sup> , 1280x800 <sup>8</sup> , 1280x960 <sup>8</sup> , 1280x1024 <sup>8</sup> , 1360x768 <sup>8</sup> , 1366x768 <sup>8</sup> , 1440x900 <sup>8</sup> , 1600x900 <sup>8</sup> , 1600x1200 <sup>8</sup> , 1680x1050 <sup>8</sup> , 1920x1080 <sup>8</sup> , 1920x1200 <sup>8</sup> , 3840x2160 <sup>2,3,5,6,8</sup> , 4096x2160 <sup>2,3,5,6,8</sup> 1 = at 23.98 Hz, 2 = at 24 Hz, 3 = at 25 Hz, 4 = at 29.97 Hz, 5 = at 30 Hz, 6 = at 50 Hz, 7 = at 59.94 Hz, 8 = at 60 Hz, 9 = at 75 Hz

Technical	
Audio Format Supported	<b>HDMI:</b> Fully supports audio formats in HDMI 2.0 specification, including PCM, Dolby TrueHD, Dolby Atmos, DTS-HD Master Audio, DTS:X <b>S/PDIF:</b> PCM 2.0, Dolby Digital, DTS 5.1
Maximum Data Rate	18Gbps
Maximum Pixel Clock	600MHz

General	
Operating Temperature	0°C to 45°C (32°F to 113°F)
Storage Temperature	-20°C to 70°C (-4°F to 158°F)
Humidity	10% to 90%, non-condensing
ESD Protection	±8kV (Air-gap discharge)/ ±4kV (Contact discharge)
Surge Protection	Voltage: ±1 kV
Power Consumption (Max)	Receiver is powered by transmitter: 18.72W Transmitter is powered by receiver: 18.96W Transmitter and receiver are powered separately: Transmitter: 8.4W Receiver: 6.6W
Device Dimension (W x H x D)	Transmitter/Receiver: 19.5cm x 2.1cm x 9.48cm/7.68" x 0.83" x 3.73"
Product Weight	Transmitter/Receiver: 0.4kg/0.88lb

### Transmission Distance

**Note:** We recommend the use of T568B straight-through category cables.

Cable Type	Range	Supported Video
Cat 5e/6	35m/115ft	4K@60Hz 4:4:4
	60m/197ft	1080P@60Hz
Cat 6a/7	40m/131ft	4K@60Hz 4:4:4
	70m/230ft	1080P@60Hz
HDMI	Input/Output: 15m/49ft	1080p@60Hz
	Input/Output: 10m/33ft	4K@30Hz 4:4:4
	Input/Output: 5m/16ft	4K@60Hz 4:4:4



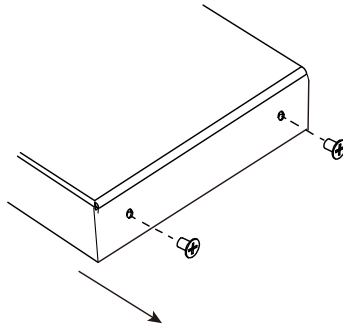
# Installation and Wiring

## Brackets Installation

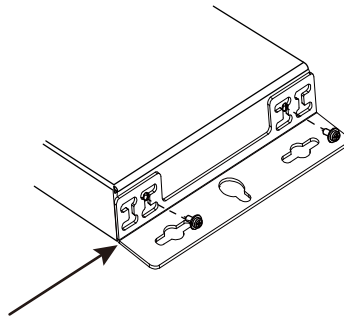
**Note:** Before installation, please ensure the device is disconnected from the power source.

**Steps to install the device in a suitable location:**

1. Remove the four screws that secure the side panels to the transmitter.



2. Position and install the mounting brackets with the four mounting screws provided.



3. Mount and secure the transmitter to a surface or a suitable location with the mounting screws (provided by others).
4. Repeat steps from 1 to 3 to install the receiver.

# Wiring

## Warnings:

- Before wiring, disconnect the power from the device.
- During wiring, connect and disconnect the cables gently.

## ARC Mode:

**Note:** When you want to configure ARC channel feed by TV:

Ensure AV System and TV support ARC function and CEC should be enabled.

1. Switch the DIP switch on front panel of the receiver to **ARC** mode.



2. Connect an AV System to HDMI IN port of the transmitter.
3. Connect HDMI IN ports with ARC function supported of a TV to HDMI OUT port of the receiver.
4. Connect HDBT OUT of the transmitter to HDBT IN port of the receiver.
5. Set CEC function of TV to on.
6. Switch the AV System to ARC channel.
7. Connect the provided power adapter to the transmitter or receiver.
8. Power on all attached devices. The audio signal of TV through HDMI OUT port will be transmitted to the AV System connected to HDMI IN Port of transmitter. (See Figure 1)

## S/PDIF Pass-through Mode

1. Switch the DIP switch on front panel of the receiver to **S/PDIF IN** mode.



2. Connect an audio receiver to the S/PDIF OUT port of transmitter.
3. Connect an audio source to S/PDIF IN port of receiver.
4. Connect HDBT OUT port of the transmitter to HDBT IN port of the receiver.
5. Connect the provided power adapter to the transmitter or receiver.

- Power on all attached devices. Audio signal from S/PDIF IN port will be transmitted to S/PDIF OUT port. (See Figure 2)

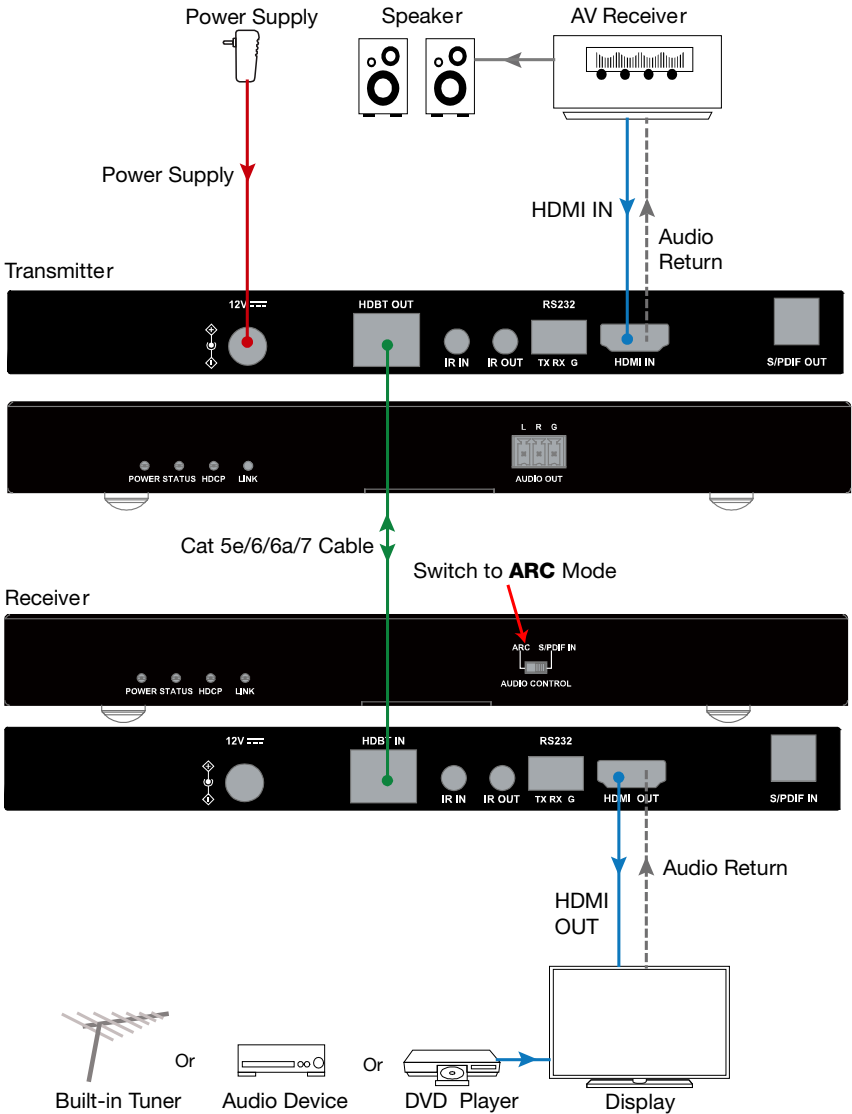


Figure 1 Switch Audio Control to "ARC" Mode

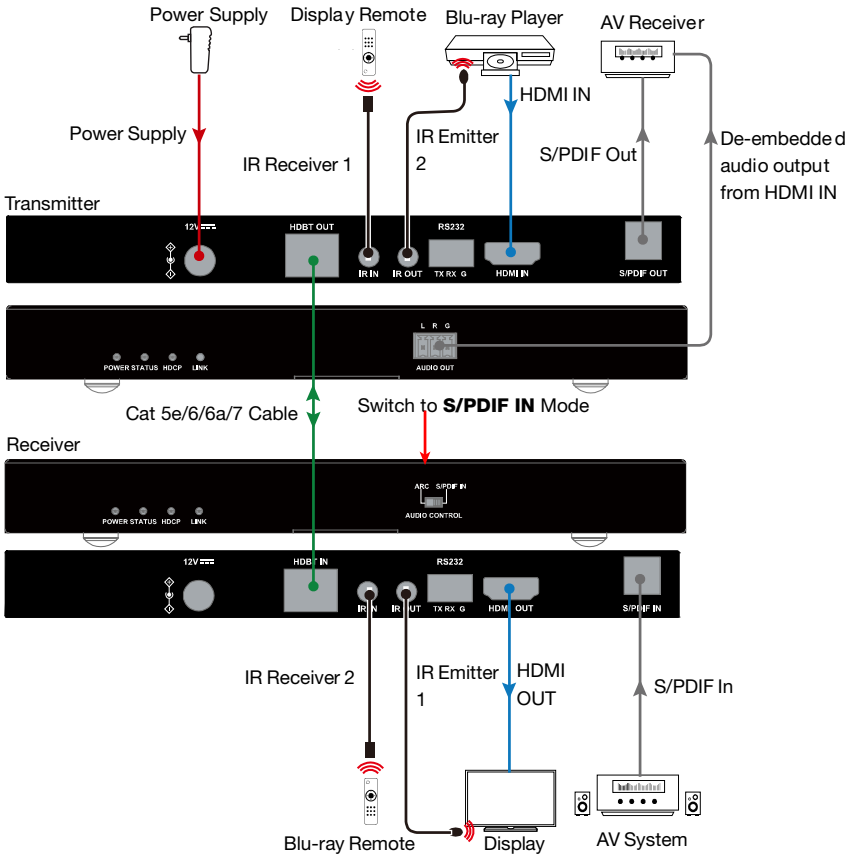


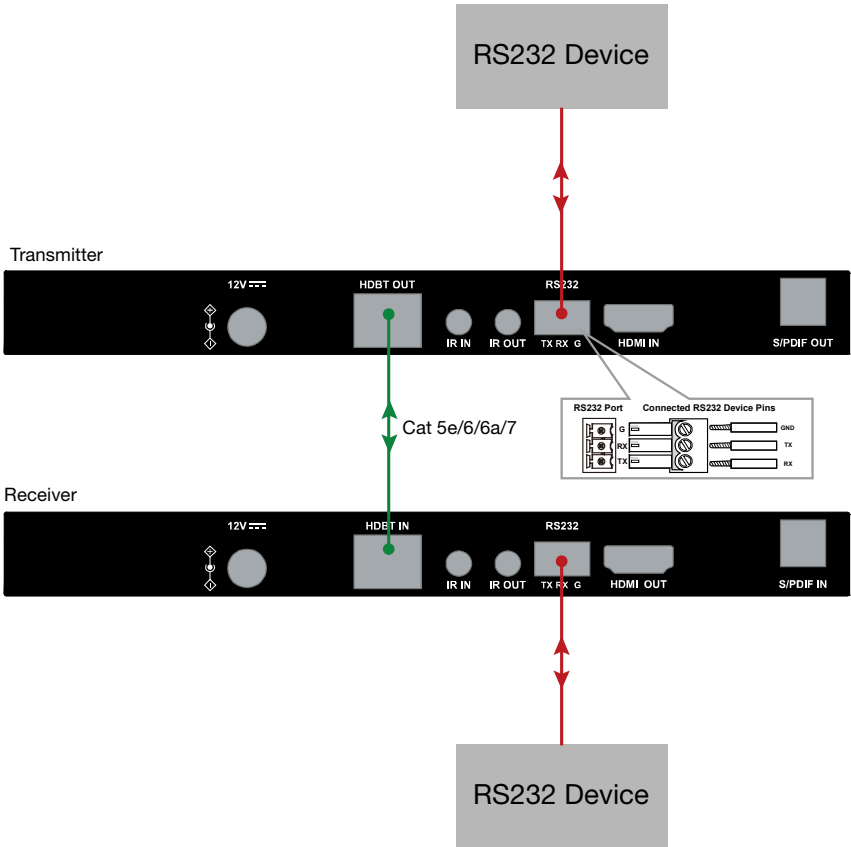
Figure 2 Switch Audio Control to "S/PDIF IN" Mode

**For additional wiring:**

- **Bi-directional IR pass-through:** Connect the provided IR receiver to IR IN port of the transmitter/receiver, and connect the provided IR emitter to IR OUT port of the receiver/transmitter. You can control the HDMI source at receiver side or control the display at transmitter side. (See Figure 2)
- **Bi-directional RS232 pass-through:** Connect RS232 enabled devices such as PC to RS232 ports of the transmitter and receiver. (See "RS232 Pass-Through" section)

# RS232 Pass-Through

According to the bi-direction RS232 pass through function, you can use two RS232 control systems for serial communication by connecting to the devices via serial cables in order to control the source device or the display.



# Limited Warranty

## 1. Limited Warranty

### a. General

Subject to the terms and conditions of this Limited Warranty, from the date of sale through the period of time for product categories specified in Section 1(b), ADI warrants AVARRO branded products to be free from defects in materials and workmanship under normal use and service, normal wear and tear excepted. Except as required by law, this Limited Warranty is only made to Buyer and may not be transferred to any third party.

ADI shall have no obligation under this Limited Warranty or otherwise if:

- (i) The product is improperly installed, applied or maintained;
- (ii) The product is installed outside of stated operating parameters, altered, or improperly serviced or repaired;
- (iii) Damage is caused by outside natural occurrences, such as lightning, power surges, fire, floods, acts of nature, or the like.
- (iv) Defects resulting from unauthorized modification, misuse, vandalism, or other causes unrelated to defective materials or workmanship, or failures related to batteries of any type used in connection with the products sold hereunder.

ADI only warrants those products branded AVARRO and sold by ADI. Any other products branded by third parties are warranted by the third party manufacturer for a period as defined by the third party manufacturer, and ADI assigns to Buyer those warranties and only those warranties extended by such third party manufacturers or vendors for non-ADI branded products. ADI does not itself warrant any non-ADI branded product and sells only on an as is basis in accordance with ADI's terms and conditions of sale.

b. Specific Warranties for product categories are as follows:

<b>Product Categories</b>	<b>Warranty Period</b>
HDMI Distribution	2 years

## 2. EXCLUSION OF WARRANTIES, LIMITATION OF LIABILITY

THERE ARE NO WARRANTIES OR CONDITIONS, EXPRESS OR IMPLIED, OF MERCHANTABILITY, OR FITNESS FOR A PARTICULAR PURPOSE OR OTHERWISE, WHICH EXTEND BEYOND THE DESCRIPTION ON THE FACE HEREOF. TO THE FULLEST EXTENT PERMITTED BY LAW, IN NO CASE SHALL ADI BE LIABLE TO ANYONE FOR ANY (I) CONSEQUENTIAL, INCIDENTAL, INDIRECT, SPECIAL, OR PUNITIVE DAMAGES ARISING OUT OF OR RELATING IN ANY WAY TO THE PRODUCT AND/OR FOR BREACH OF THIS OR ANY OTHER WARRANTY OR CONDITION, EXPRESS OR IMPLIED, OR UPON ANY OTHER BASIS OF LIABILITY WHATSOEVER, EVEN IF THE LOSS OR DAMAGE IS CAUSED BY ADI'S OWN NEGLIGENCE OR FAULT AND EVEN IF ADI HAS BEEN ADVISED OF THE POSSIBILITY OF SUCH LOSSES OR DAMAGES. Any product description (whether in writing or made orally by ADI or ADI's agents), specifications, samples, models, bulletin, drawings, diagrams, engineering sheets, or similar materials used in connection with the Buyer's order are for the sole purpose of identifying ADI's products and shall not be construed as an express warranty or condition. Any suggestions by ADI or ADI's agents regarding use, applications or suitability of the products shall not be construed as an express warranty or condition unless confirmed to be such in writing by ADI. ADI does not represent that the products it sells may not be compromised or circumvented; that the products will prevent any personal injury or property loss by burglary, robbery, fire or otherwise, or that the products will in all cases provide adequate warning or protection. Buyer understands and will cause its customer to understand that a properly installed and maintained product is not insurance or guarantee that such will not cause or lead to personal injury or property loss. CONSEQUENTLY, ADI SHALL HAVE NO LIABILITY FOR ANY PERSONAL INJURY, PROPERTY DAMAGE OR OTHER LOSS BASED ON ANY CLAIM AT ALL INCLUDING A CLAIM THAT THE PRODUCT FAILED TO GIVE WARNING. However, if ADI is held liable whether directly or indirectly for any loss or damage with respect to the products it sells, regardless of cause or origin, its maximum liability shall not in any case exceed the purchase price of the product, which shall be fixed as liquidated damages and not as a penalty

and shall be the complete and exclusive remedy against ADI.

### **3. Limitation on Liability to Buyer's Customers.**

Buyer agrees to limit liability to its customers to the fullest extent permitted by law. Buyer acknowledges that ADI shall only be deemed to give consumers of its products such statutory warranties as may be required by law and at no time shall Buyer represent to its customers and/or users of ADI products that ADI provides any additional warranties. By accepting the products, to the fullest extent permitted by law, Buyer assumes all liability for, and agrees to indemnify and hold ADI harmless against and defend ADI from, any and all suits, claims, demands, causes of action and judgments relating to damages, whether for personal injury or to personal property, suffered by any person, firm, corporation or business association, including but not limited to, Buyer's customers and/or users of the products because of any failure of the products to detect and/or warn of the danger for which the goods were designed or any other failure of the products whether or not such damages are caused or contributed to by the sold or joint concurring negligence or fault of ADI.

### **4. Returns**

Subject to the terms and conditions listed below, during the applicable warranty period, ADI will replace Product or provide a credit at purchase at its sole option free of charge any defective products returned prepaid. Any obligations of ADI to replace Limited Lifetime warranty products pursuant to this warranty which result from defect are limited to the availability of replacement product. ADI reserves the right to replace any such products with the then currently available products, or provide a credit in its sole discretion. In the event Buyer has a problem with any ADI product, please call your local ADI branch for return instructions:

For US call 1-800-233-6261

For Canada call 877-234-7378

For Puerto Rico call 787-793-8830



Be sure to have the model number and the nature of the problem available. In the event of replacement, the return product will be credited to Buyer's account and a new invoice issued for the replacement item. ADI reserves the right to issue a credit only in lieu of replacement.

If any AVARRO branded products are found to be in good working order or such product's inability to function properly is a result of user damage or abuse, the product will be returned to Buyer in the same condition as received and Buyer shall be responsible for any return freight changes.

#### **5. Governing Law**

The laws of State of New York apply to this Limited Warranty.

#### **6. Miscellaneous**

Where any term of this Limited Warranty is prohibited by such laws, it shall be null and void, but the remainder of the Limited Warranty shall remain in full force and effect.

# Introduction

## Aperçu

Ce produit est un ensemble pour amplificateur HDBaseT. Compatible 4K à 60 4:4:4 avec HDR et HDCP 2.2. Offre une distribution de vidéo UHD, d'audio, de puissance et d'IR tous ensemble jusqu'à 40 m/131 pi grâce à un seul câble Cat 6a/7.

Il prend également en charge la transmission l'IR bidirectionnel et la transmission RS232 bidirectionnel. Avec le commutateur DIP de la sortie audio sur le récepteur, vous êtes en mesure de configurer le canal d'alimentation ARC par la télévision (compatible ARC), ou le port d'entrée auxiliaire S/PDIF. Ce produit offre aussi l'extraction audio HDMI avec connecteur analogique phoenix. Sa technologie PoC bidirectionnelle exclusive avec voyants Del pour l'alimentation des unités et l'état du signal pour montrer la connexion entre les appareils connectés.

## Caractéristiques

- Capacité 4K/UHD à 60 Hz avec échantillonnage de la chrominance 4:4:4 et avec prise en charge des formats HDR.
- Compatible HDCP 2.2.
- Prise en charge de la transmission de signal HD jusqu'à 60 mètres (1080p) et 35 mètres (4K à 60 Hz YUV 4:4:4) à partir d'un seul câble Cat 5e/6.
- Prise en charge de la transmission de signal HD jusqu'à 70 mètres (1080p) et 40 mètres (4K à 60 Hz YUV 4:4:4) à partir d'un seul câble Cat 6a/7.
- Compression sans perte de la qualité visuelle qui offre 4K à 60, extension HDR sur HDBaseT.
- Retour audio de récepteur à transmetteur à partir d'une source coaxiale numérique ou ARC.

- Extraction audio HDMI avec connecteur analogique phoenix.
- Augmente la portée des signaux de contrôle IR RS232.
- Prend en charge l'alimentation PoC bidirectionnelle non standard.
- Gestion EDID automatique.
- Voyants DEL.

## Contenu

Avant de commencer l'installation de ce produit, veuillez vérifier le contenu de l'emballage :

- 1 x transmetteur 0E-HDMIEX4KA
- 1 x récepteur 0E-HDMIEX4KA
- 1 x Adaptateur électrique 12 VCC avec broches américaines
- 1 x émetteur IR
- 1 x récepteur IR large bande (30-50 kHz)
- 2 x connecteurs mâles Phoenix (3 broches 3,5 mm)
- 4 x supports de montage
- 1 x manuel d'utilisation

## Panneau

### Transmetteur

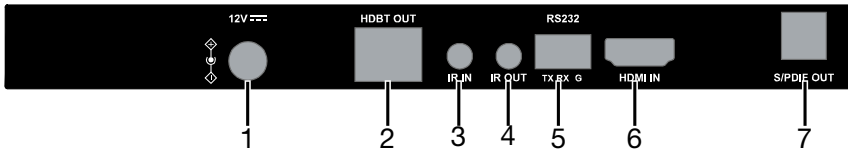
#### Panneau avant



N°	Nom	La description
1	VOYANT « POWER » (ALIMENTATION)	Allumé : Le transmetteur est en marche. Éteint : Le transmetteur est hors tension.
2	VOYANT D'ÉTAT	Clignotement lent : Le transmetteur

N°	Nom	La description
		fonctionne correctement. Éteint : Le transmetteur ne fonctionne pas correctement.
3	VOYANT HDCP	Allumé : Du contenu à protection HDCP est en cours de transmission. Clignotement rapide : Du contenu qui n'est pas à protection HDCP est en cours de transmission. Éteint : Aucun contenu n'est en cours de transmission.
4	VOYANT « LINK » (LIAISON)	Allumé : La liaison HDTB est normale. Éteint : Aucune liaison HDTB ou erreur de liaison.
5	SORTIE AUDIO	Extraction audio HDMI, se connecte au système audio comme un récepteur audio/vidéo

### Panneau arrière



N°	Nom	La description
1	12 VCC	Se connecter à l'adaptateur d'alimentation fourni. Avec le PoC bidirectionnel pris en charge, un adaptateur électrique doit être connecté au transmetteur ou au récepteur pour alimenter les deux unités.
2	HDBT OUT	Connecter au port d'entrée HDBT du récepteur.
3	IR IN	Connecter au récepteur IR.
4	IR OUT	Connecter à l'émetteur IR.
5	RS232	Connecter à un appareil compatible RS232 pour le RS232 traversant.
6	HDMI IN	Connecter à une source HDMI.
7	S/PDIF OUT	Connecter à un système audio comme un récepteur AV.

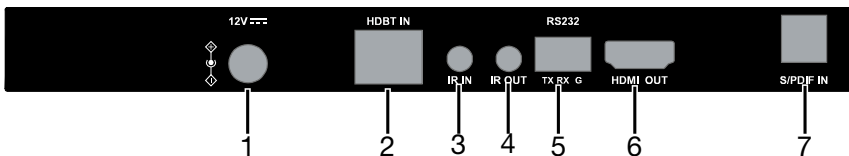
# Récepteur

## Panneau avant



N°	Nom	La description
1	VOYANT « POWER » (ALIMENTATION)	Allumé : Le récepteur est en marche. Éteint : Le récepteur est hors tension.
2	VOYANT D'ÉTAT	Clignotement lent : Le récepteur fonctionne correctement. Éteint : Le récepteur ne fonctionne pas correctement.
3	VOYANT « LINK » (LIAISON)	Allumé : Du contenu à protection HDCP est en cours de transmission. Clignotement rapide : Du contenu qui n'est pas à protection HDCP est en cours de transmission. Éteint : Aucun contenu n'est en cours de transmission.
4	VOYANT HDCP	Allumé : La liaison HDTB est normale. Éteint : Aucune liaison HDTB ou erreur de liaison.
5	Contrôle audio	ARC configure le canal d'alimentation ARC par le téléviseur. S/PDIF IN, configure l'entrée auxiliaire S/PDIF, transmet le signal audio optique de l'unité RX à TX.

## Panneau arrière



N°	Nom	La description
1	12 VCC	Se connecter à l'adaptateur d'alimentation fourni. Avec le PoC bidirectionnel pris en charge, un adaptateur électrique doit être connecté au transmetteur ou au récepteur pour alimenter les deux unités.
2	HDBT IN	Connecter au port de sortie HDBT du transmetteur.
3	IR IN	Connecter au récepteur IR.
4	IR OUT	Connecter à l'émetteur IR.
5	RS232	Connecter au système de commande pour le RS232 traversant.
6	HDMI OUT	Connecter à un écran HDMI.
7	S/PDIF IN	Connecter à un dispositif avec source audio sur le mode S/PDIF IN.

## Spécifications

Caractéristiques techniques	
Port d'entrée/de sortie	<p><b>Transmetteur:</b> 1 x HDMI IN, 1 x HDBT OUT, 1 x AUDIO OUT (Connecteur Phoenix à 3 broches), 1 x IR IN, 1 x IR OUT, 1 x S/PDIF OUT, 1 x RS232, 1 x DC 12V IN</p> <p><b>Récepteur:</b> 1 x HDBT IN, 1 x HDMI OUT, 1 x IR IN, 1 x IR OUT, 1 x RS232, 1 x S/PDIF IN, 1 x DC 12V IN</p>
Type de signal d'entrée/de sortie	HDMI avec 4K à 60Hz, 4:4:4 8bit, HDCP 2.2
Résolution d'entrée/de sortie prise en charge	<p>800x600<sup>8</sup>, 1024x768<sup>8</sup>, 1280x768<sup>8</sup>, 1280x800<sup>8</sup>, 1280x960<sup>8</sup>, 1280x1024<sup>8</sup>, 1360x768<sup>8</sup>, 1366x768<sup>8</sup>, 1440x900<sup>8</sup>, 1600x900<sup>8</sup>, 1600x1200<sup>8</sup>, 1680x1050<sup>8</sup>, 1920x1080<sup>8</sup>, 1920x1200<sup>8</sup>, 3840x2160<sup>2,3,5,6,8</sup>, 4096x2160<sup>2,3,5,6,8</sup></p> <p>1 = à 23.98 Hz, 2 = à 24 Hz, 3 = à 25 Hz, 4 = à 29.97 Hz, 5 = à 30 Hz, 6 = à 50 Hz, 7 = à 59.94 Hz, 8 = à 60 Hz, 9 = à 75 Hz</p>
Formats audio pris en charge	HDMI : Prise en charge complète des formats audio de la spécification HDMI 2.0, dont PCM, Dolby TrueHD, Dolby Atmos, DTS-HD Master Audio, DTS:X S/PDIF: PCM 2.0, Dolby Digital, DTS 5.1
Débit de données maximal	18Gbps
Horloge de pixels maximale	600MHz

<b>Général</b>	
Température de service	0 à 45 °C (32 à 113 °F)
Température de stockage	-20 à 70 °C (-4 à 158 °F)
Humidité	10 % à 90 % (sans condensation)
Protection DES	±8 kV (décharge d'entrefer)/ ±4 kV (décharge de contact)
Protection contre les surtensions	Tension : ±1 kV
Consommation d'énergie (max.)	Le récepteur est alimenté par le transmetteur : 18,72 W Le transmetteur est alimenté par le récepteur : 18,96W Le transmetteur et le récepteur sont alimentés séparément : Transmetteur : 8,4W Récepteur : 6,6W
Dimensions de l'appareil (l x H x P)	Transmetteur et récepteur : 19,5 cm x 2,1 cm x 9,48 cm/7,68 po x 0,83 po x 3,73 po
Poids du produit	Transmetteur et récepteur : 0,4 kg/0,88 lb

## Distance de transmission

Remarque : Nous vous recommandons d'utiliser des câbles directs T568B.

Type de câble	Portée	Vidéo prise en charge
Cat 5e/6	35 m/115 pi	4K à 60Hz 4:4:4
	60 m/197 pi	1080P à 60Hz
Cat 6a/7	40 m/131 pi	4K à 60Hz 4:4:4
	70 m/230 pi	1080P à 60Hz
HDMI	Entrée sortie: 15 m/49 pi	1080p à 60Hz
	Entrée sortie: 10 m/33 pi	4K à 30Hz 4:4:4
	Entrée sortie: 5 m/16 pi	4K à 60Hz 4:4:4

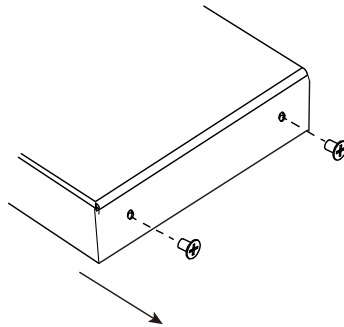
# Installation et câblage

## Installation des supports

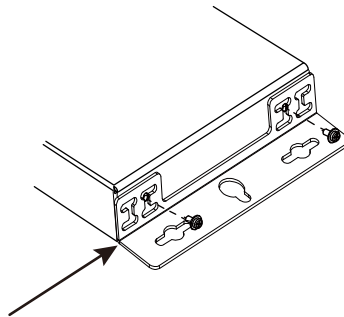
Remarque : Avant l'installation, assurez-vous que l'appareil n'est pas branché à une source d'alimentation.

Étapes de pose de l'appareil à un endroit approprié :

1. Enlever les quatre vis fixant le panneau latéral sur le transmetteur.



2. Positionner et installer les supports de montage avec les quatre vis fournies.



3. Monter et sécuriser le transmetteur sur une surface ou dans un endroit adéquat avec les vis de montage (fournies par d'autres).
4. Répéter les étapes 1,2 et 3 pour installer le récepteur.



# Câblage

## Avertissements :

- Avant de commencer le câblage, coupez l'alimentation de l'appareil.
- Durant le câblage, prenez soin lorsque vous branchez et débranchez les câbles.

## Mode ARC :

Remarque : Lorsque vous voulez configurer le canal d'alimentation ARC par la télévision :

S'assurer que le système AV et la TV prennent en charge la fonction ARC. CEC devrait être activé.

1. Activer le commutateur DIP sur le panneau avant du récepteur pour activer le mode ARC.



2. Connecter un système AV au port d'entrée HDMI du transmetteur.
3. Connecter les ports d'entrée d'une télévision avec la fonction ARC au port de sortie HDMI du récepteur.
4. Connecter la sortie HDTB du transmetteur au port d'entrée HDTB du récepteur.
5. Activer la fonction CEC de la télévision.
6. Changer le système AV pour le canal ARC.
7. Connecter l'adaptateur d'alimentation du transmetteur au récepteur.
8. Alimenter tous les appareils connectés. Le signal audio de la télévision sera transmis du port de sortie HDMI jusqu'au système AV connecté au port d'entrée HDMI du transmetteur. (voir figure 1)

## Mode de transmission S/PDIF :

1. Activer le commutateur DIP sur le panneau avant du récepteur pour activer le mode S/ PDIF IN.



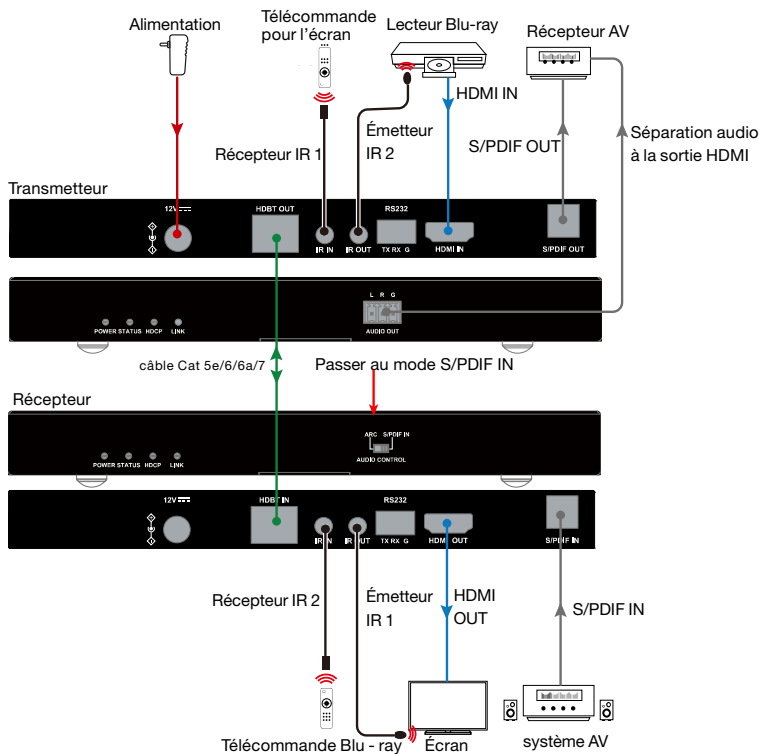


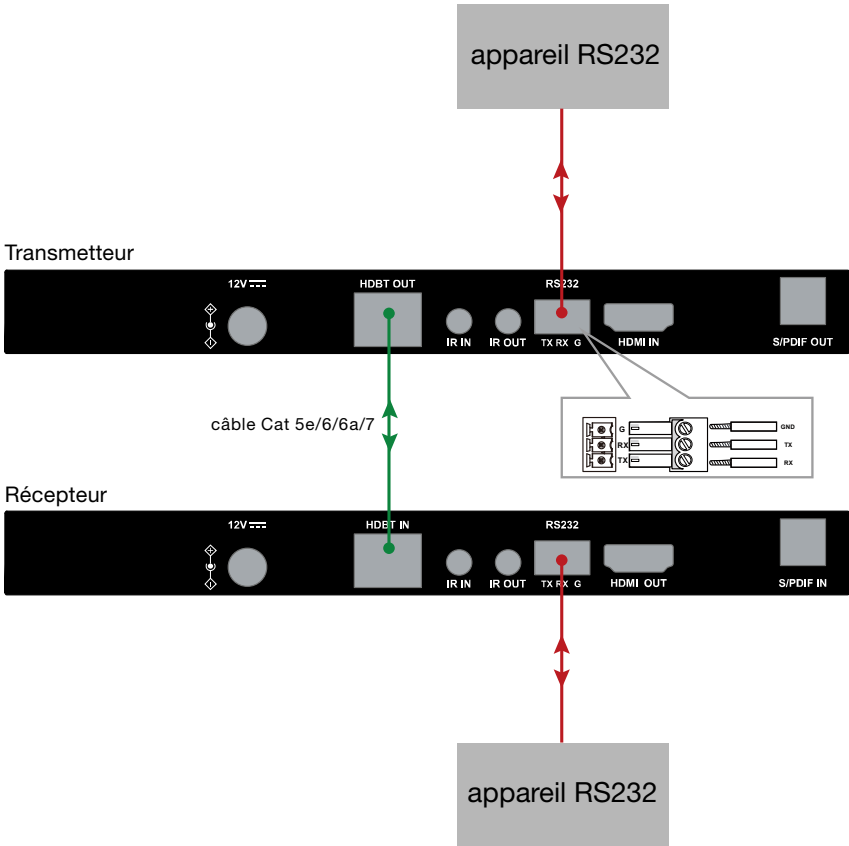
Figure 2 Mettre le contrôleur audio sur le mode «S/PDIFIN»

### Para câble supplémentaire:

- Passage IR bidirectionnel : connectez le récepteur IR fourni au port IR IN de l'émetteur/récepteur et connectez l'émetteur IR fourni au port IR OUT du récepteur/émetteur. Vous pouvez contrôler la source HDMI côté récepteur ou contrôler l'affichage côté émetteur. (Voir Figure 2)
- Pass-through RS232 bidirectionnel : connectez les appareils compatibles RS232 tels que le PC aux ports RS232 de l'émetteur et du récepteur. (Voir la section "Pass-Through RS232")

# Compatible RS232

Selon la fonction de transmission RS232 bidirectionnelle, vous pouvez utiliser deux systèmes de commande RS232 pour la communication série en connectant les appareils avec des câbles série pour contrôler l'appareil source ou l'écran.



# Garantie limitée

## 1. Garantie limitée

### a. Général

Soumis aux conditions générales de cette garantie limitée à partir de la date de vente pour la durée des catégories de produits définies à la section 1(b), ADI garantit que ses produits AVARRO sont exempts de défauts de matériel et de fabrication selon un usage normal, à l'exception d'une usure normale. Sauf si la loi l'exige, la présente garantie limitée est offerte uniquement à l'acheteur et ne peut être transférée à un tiers.

En vertu de la présente garantie limitée et autre obligation, ADI n'endossera aucune responsabilité dans les cas suivants :

- (i) le produit est mal installé, mal appliqué ou mal entretenu;
- (ii) le produit est installé de manière non conforme aux paramètres d'utilisation indiqués, est modifié ou est mal entretenu ou réparé;
- (iii) le produit est endommagé suite à des phénomènes naturels extérieurs comme la foudre, une surcharge électrique, un incendie, une inondation, un acte de la nature ou un phénomène similaire;
- (iv) les défauts du produit sont le résultat d'une modification non autorisée, d'une mauvaise utilisation, d'un acte de vandalisme ou d'autres causes non liés aux vices de matériaux ou de fabrication, ou à une défaillance des piles de quelque type que ce soit utilisées avec les produits vendus aux termes des présentes.

ADI garantit uniquement les produits portant la marque AVARRO et vendus par ADI. Les autres produits portant une marque de tiers sont garantis par le fabricant tiers pendant une période définie par ce dernier, et ADI cède à l'acheteur ces garanties et uniquement les garanties offertes par ces fabricants tiers ou vendeurs à l'égard de produits ne portant pas ses marques. ADI ne garantit pas de produits ne portant pas ses marques et vend ces produits tels quels, conformément à ses modalités de vente.

b. Les garanties particulières applicables aux catégories de produits sont les suivantes :

Catégories de produits	Période de garantie
Distribution HDMI	Garantie 2 ans

## 2. EXCLUSION DE GARANTIES ET LIMITATION DE RESPONSABILITÉ

AUCUNE GARANTIE OU CONDITION, EXPRESSE OU IMPLICITE DE QUALITÉ MARCHANDE OU D'ADAPTABILITÉ À UN USAGE PARTICULIER N'EST OFFERTE, OUTRE LA DESCRIPTION CI-PRÉSENTE. DANS LA PLEINE MESURE PERMISE PAR LA LOI, ADI NE SAURAIT EN AUCUN CAS ÊTRE TENUE RESPONSABLE ENVERS QUICONQUE DES DOMMAGES CONSÉCUTIFS, INDIRECTS, SPÉCIAUX OU PUNITIFS DÉCOULANT DU PRODUIT OU LIÉS À CELUI-CI DE QUELQUE FAÇON QUE CE SOIT ET/OU DU NON-RESPECT DE LA PRÉSENTE GARANTIE OU DE TOUTE AUTRE GARANTIE OU CONDITION, EXPRESSE OU IMPLICITE, OU DE TOUTE AUTRE RÉCLAMATION FONDÉE SUR LA RESPONSABILITÉ, MÊME SI LA PERTE OU LES DOMMAGES SONT CAUSÉS PAR LA NÉGLIGENCE OU LA FAUTE D'ADI ET MÊME SI CETTE DERNIÈRE A ÉTÉ AVISÉE DE LA POSSIBILITÉ QUE DE TELLES PERTES OU DE TELS DOMMAGES SURVIENNENT. Les descriptions de produits (fournies par écrit ou verbalement par ADI ou ses mandataires), caractéristiques techniques, échantillons, modèles, bulletins, dessins, diagrammes, esquisses techniques ou documents similaires utilisés par l'acheteur pour passer une commande visent uniquement à décrire les produits d'ADI et ne doivent pas être interprétés comme des garanties ou conditions expresses. Les suggestions faites par ADI ou ses mandataires au sujet de l'utilisation, de l'application ou du caractère approprié des produits ne doivent pas être interprétées comme des garanties ou conditions expresses, sauf si ADI confirme par écrit qu'il s'agit de garanties ou de conditions expresses. ADI ne garantit pas qu'il n'y aura aucune atteinte à l'intégrité des produits qu'elle vend ou que les produits qu'elle vend ne seront pas contournés, qu'ils préviendront les blessures ou les pertes matérielles en cas de cambriolage, de vol, d'incendie ou autrement ou qu'ils constitueront dans tous les cas une protection ou un avertissement approprié. L'acheteur comprend qu'un produit dûment installé

et entretenu permet uniquement de réduire le risque de cambriolage, de vol ou d'incendie sans avertissement, mais qu'il ne constitue pas une assurance ou une garantie qu'un tel événement ne se produira pas ou qu'il n'entraînera pas des blessures ou des pertes matérielles. PAR CONSÉQUENT, ADI NE SAURAIT ÊTRE TENUE RESPONSABLE DES BLESSURES, DES DOMMAGES MATÉRIELS OU D'AUTRES PERTES FAISANT L'OBJET D'UNE RÉCLAMATION, Y COMPRIS UNE RÉCLAMATION SELON LAQUELLE LE PRODUIT N'AURAIT PAS DONNÉ DE SIGNAL D'AVERTISSEMENT. Toutefois, si ADI est tenue responsable, directement ou indirectement, de pertes ou de dommages à l'égard des produits qu'elle vend, quelle qu'en soit la cause ou l'origine, sa responsabilité n'excédera en aucun cas le prix d'achat du produit, dont le remboursement sera exigé à titre de dommages-intérêts extrajudiciaires et non d'amende, et il s'agira du recours exclusif et intégral pouvant être exercé contre ADI.

### 3. Limitation de la responsabilité envers les clients de l'acheteur.

L'acheteur accepte de limiter la responsabilité à ses clients dans la pleine mesure permise par la loi. L'acheteur reconnaît qu'ADI ne sera réputée avoir fourni aux consommateurs de ses produits que les garanties qui sont exigées par la loi. L'acheteur ne doit en aucun cas déclarer à ses clients et/ou aux utilisateurs des produits d'ADI que cette dernière offre d'autres garanties. Par l'acceptation des produits, l'acheteur assume, dans la pleine mesure permise par la loi, la pleine responsabilité à l'égard de toutes les poursuites, réclamations, mises en demeure et causes d'action et à l'égard de tous les jugements se rapportant à des dommages-intérêts, que ce soit pour des préjudices personnels ou des dommages matériels, subis par une personne, une firme, une société ou une association commerciale, y compris les clients de l'acheteur et/ou les utilisateurs des produits, en raison de toute omission de la part des produits de déceler le danger pour la détection duquel ils sont conçus et/ou de donner l'alerte de ce danger ou un avertissement de toute autre défaillance des produits, que ces dommages aient été causés par la négligence dont ADI est l'auteur ou le coauteur, et il tiendra ADI à couvert à cet égard et prendra fait et cause pour lui.

#### 4. Retours

Sous réserve des conditions générales énumérées ci-dessous et durant la période de garantie applicable, ADI remplacera ou créditera tout produit défectueux retourné port payé à sa seule discrétion et sans frais. L'obligation qui incombe à ADI de remplacer le produit visé par une garantie à vie limitée aux termes de la garantie en question si celui-ci est défectueux se limite à la disponibilité d'un produit de remplacement. ADI se réserve le droit de remplacer un produit défectueux par le produit qui est disponible à ce moment-là, ou de donner une note de crédit, à son gré. Si l'acheteur a un problème avec un produit d'ADI, il doit appeler sa succursale ADI locale pour connaître la marche à suivre pour retourner le produit.

Aux États-Unis, composer le 1 800 233-6261

Au Canada, composer le 877 234-7378

À Porto Rico, composer le 787 793-8830

N'oubliez pas d'avoir en main le numéro de modèle et la nature du problème. En cas de remplacement, le prix du produit retourné sera porté au crédit du compte de l'acheteur et une nouvelle facture sera établie pour le produit de remplacement. ADI se réserve le droit de donner une note de crédit plutôt que de remplacer le produit.

Si l'on établit que le produit AVARRO n'est pas défectueux ou que son mauvais fonctionnement résulte d'une utilisation abusive ou de dommages causés par l'utilisateur, le produit sera retourné à l'acheteur dans le même état que celui dans lequel il a été reçu et l'acheteur devra acquitter les frais de transport.

#### 5. Droit applicable

Les lois de l'État de New York s'appliquent à la présente garantie limitée.

#### 6. Divers

Si une modalité de la présente garantie limitée est interdite par ces lois, elle sera nulle, mais le reste de la présente garantie limitée demeurera pleinement en vigueur.



# Introducción

## Descripción

Este producto es un kit extensor HDBaseT. Admite 4K a 60 4:4:4 con compatibilidad HDR y HDCP 2.2, y ofrece la distribución conjunta de IR, alimentación, audio y video UHD sin comprimir hasta 40 m/131 pies a través de un solo cable 6a/7.

También admite una conexión de paso IR bidireccional y una conexión de paso RS232 bidireccional. Gracias al interruptor DIP de la salida de audio en el receptor, permite configurar la alimentación del canal de retorno de audio (ARC) por TV (con soporte ARC) o mediante el puerto de entrada auxiliar S/PDIF. Este kit también ofrece un desembebedor de audio HDMI con conector analógico Phoenix. Tecnología PoC bidireccional patentada con indicación visual LED de la alimentación de las unidades y los estados de señal para indicar la conexión entre los dispositivos conectados.

## Características

- Capacidad 4K/UHD a 60 Hz con muestreo de crominancia 4:4:4; admite formatos HDR.
- Compatibilidad HDCP 2.2.
- Admite la transmisión de señales HD hasta 60 m (1080p) y 35 m (4K a 60 Hz YUV 4:4:4) por medio de un solo cable 5e/6.
- Admite la transmisión de señales HD hasta 70 m (1080p) y 40 m (4K a 60 Hz YUV 4:4:4) por medio de un solo cable 6a/7.
- La compresión sin pérdida visual permite la extensión HDR 4K a 60 por HDBaseT.
- Retorno de audio de receptor a transmisor por vía coaxial digital o ARC.
- Desembebedor de audio HDMI con conector analógico Phoenix.
- Extiende las señales de control IR, RS232.

- Admite fuentes de alimentación PoC bidireccionales no estándar.
- Gestión automática de EDID.
- Indicación visual LED.

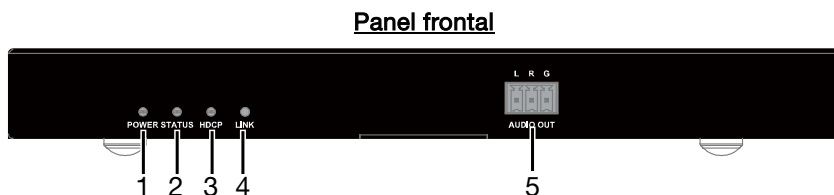
## Contenido del paquete

Antes de comenzar a instalar el producto, verifique el contenido del paquete:

- 1 transmisor 0E-HDMIEX4KA
- 1 receptor 0E-HDMIEX4KA
- 1 adaptador de CC de 12 V con pines para EE. UU.
- 1 emisor IR
- 1 receptor IR de banda ancha (30-50 KHz)
- 2 conectores macho Phoenix (3 pines de 3.5 mm)
- 4 soportes de montaje
- 1 manual del usuario

## Panel

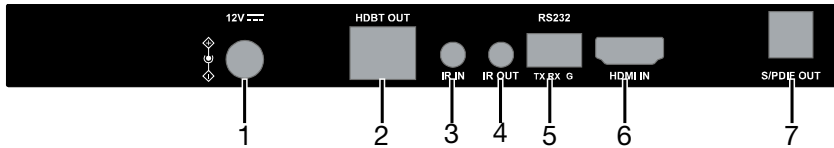
### Transmisor



N.º	Nombre	Descripción
1	LED DE ALIMENTACIÓN	ENCENDIDO: El transmisor está encendido. APAGADO: El transmisor está apagado.
2	LED DE ESTADO	Titila despacio: El transmisor está funcionando bien. APAGADO: El transmisor no está funcionando bien.
3	LED DE HDCP	ENCENDIDO: Se está transmitiendo contenido con protección HDCP. Titila rápido: Se está transmitiendo contenido sin

N.º	Nombre	Descripción
		protección HDCP. APAGADO: No se está transmitiendo contenido.
4	LED DE ENLACE	ENCENDIDO: El enlace HDBT es normal. APAGADO: Sin enlace HDBT o error de enlace.
5	SALIDA DE AUDIO	Desembecedor de audio HDMI; conectar al sistema de audio como receptor AV.

### Panel trasero



N.º	Nombre	Descripción
1	DC 12V	Conectar al adaptador de corriente provisto. Dado que admite PoC bidireccional, se debe conectar un adaptador de corriente al transmisor o al receptor para alimentar las dos unidades.
2	HDBT OUT	Conectar al puerto de entrada HDBT IN del receptor.
3	IR IN	Conectar al receptor IR.
4	IR OUT	Conectar al emisor IR.
5	RS232	Conectar a un dispositivo compatible con RS232 para establecer una conexión de paso RS232.
6	HDMI IN	Conectar a una fuente HDMI.
7	S/PDIF OUT	Conectar a un sistema de audio como receptor AV.

## Receptor

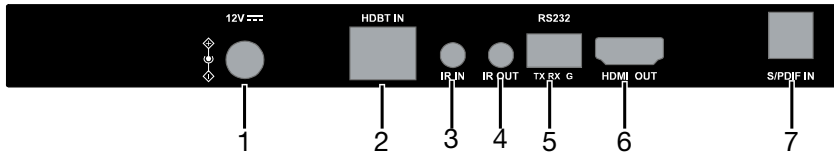
### Panel frontal



N.º	Nombre	Descripción
1	LED DE ALIMENTACIÓN	ENCENDIDO: El receptor está encendido. APAGADO: El receptor está apagado.

N.º	Nombre	Descripción
2	LED DE ESTADO	Titila despacio: El receptor está funcionando bien. APAGADO: El receptor no está funcionando bien.
3	LED DE HDCP	ENCENDIDO: Se está transmitiendo contenido con protección HDCP. Titila rápido: Se está transmitiendo contenido sin protección HDCP. APAGADO: No se está transmitiendo contenido.
4	LED DE ENLACE	ENCENDIDO: El enlace HDBT es normal. APAGADO: Sin enlace HDBT o error de enlace.
5	CONTROL DE AUDIO	ARC, configurar la alimentación del canal ARC por TV S/PDIF IN, configurar la entrada auxiliar S/PDIF, pasar el audio óptico de la unidad de recepción a la transmisión

### Panel trasero



N.º	Nombre	Descripción
1	DC 12V	Conectar al adaptador de corriente provisto. Dado que admite PoC bidireccional, se debe conectar un adaptador de corriente al transmisor o al receptor para alimentar las dos unidades.
2	HDBT IN	Conectar al puerto de salida HDBT OUT del transmisor.
3	IR IN	Conectar al receptor IR.
4	IR OUT	Conectar al emisor IR.
5	RS232	Conectar al sistema de control para establecer la conexión de paso RS232.
6	HDMI OUT	Conectar a un monitor HDMI.
7	S/PDIF IN	Conectar a un dispositivo de fuente de audio en modo S/PDIF IN.

# Especificaciones

Técnica	
Puerto de entrada/salida	<b>Transmisor:</b> 1 x HDMI IN, 1 x HDBT OUT, 1 x AUDIO OUT (Conector Phoenix de 3 Pines), 1 x IR IN, 1 x IR OUT, 1 x S/PDIF OUT, 1 x RS232, 1 x DC 12V IN <b>Receptor:</b> 1 x HDBT IN, 1 x HDMI OUT, 1 x IR IN, 1 x IR OUT, 1 x RS232, 1 x S/PDIF IN, 1 x DC 12V IN
Tipo de señal de entrada/salida	HDMI con 4K a 60Hz, 4:4:4 8bit, HDCP 2.2
Resolución de entrada/salida admitida	800x600 <sup>8</sup> , 1024x768 <sup>8</sup> , 1280x768 <sup>8</sup> , 1280x800 <sup>8</sup> , 1280x960 <sup>8</sup> , 1280x1024 <sup>8</sup> , 1360x768 <sup>8</sup> , 1366x768 <sup>8</sup> , 1440x900 <sup>8</sup> , 1600x900 <sup>8</sup> , 1600x1200 <sup>8</sup> , 1680x1050 <sup>8</sup> , 1920x1080 <sup>8</sup> , 1920x1200 <sup>8</sup> , 3840x2160 <sup>2,3,5,6,8</sup> , 4096x2160 <sup>2,3,5,6,8</sup> 1 = a 23.98 Hz, 2 = a 24 Hz, 3 = a 25 Hz, 4 = a 29.97 Hz, 5 = a 30 Hz, 6 = a 50 Hz, 7 = a 59.94 Hz, 8 = a 60 Hz, 9 = a 75 Hz
Formato de audio admitido	HDMI: Admite sin problemas formatos de audio en especificación HDMI 2.0, incluidos PCM, Dolby TrueHD, Dolby Atmos, DTS-HD Master Audio, DTS:X. S/PDIF: PCM 2.0, Dolby Digital, DTS 5.1
Velocidad máxima de datos	18Gbps
Reloj de píxeles máximo	600MHz

General	
Temperatura operativa	De 0 °C a 45 °C (32 °F a 113 °F)
Temperatura de almacenamiento	De -20 °C a 70 °C (-4 °F a 158 °F)
Humedad	De 10 % a 90 %, sin condensación
Protección contra descargas electrostáticas	± 8 kV (descarga por espacio de aire)/ ± 4kV (descarga por contacto)
Protección contra sobretensión	Voltaje: ±1 kV
Consumo de energía (máx.)	Receptor alimentado por el transmisor: 18.72 W Transmisor alimentado por el receptor: 18.96 W Transmisor y receptor alimentados por separado: Transmisor: 8.4 W

General	
	Receptor: 6.6 W
Medidas del dispositivo (ancho x altura x profundidad)	Transmisor/receptor: 19.5 cm x 2.1 cm x 9.48 cm/7.68" x 0.83" x 3.73"
Peso del producto	Transmisor/receptor: 0.4 kg/0.88 lb

### Distancia de la transmisión

Nota: Recomendamos usar cables directos T568B.

Tipo de cable	Rango	Video admitido
Cat 5e/6	35 m/115 pies	4K a 60Hz 4:4:4
	60 m/197 pies	1080P a 60Hz
Cat 6a/7	40 m/131 pies	4K a 60Hz 4:4:4
	70 m/230 pies	1080P a 60Hz
HDMI	De entrada y salida: 15 m/49 pies	1080p a 60Hz
	De entrada y salida: 10 m/33 pies	4K a 30Hz 4:4:4
	De entrada y salida: 5 m/16 pies	4K a 60Hz 4:4:4

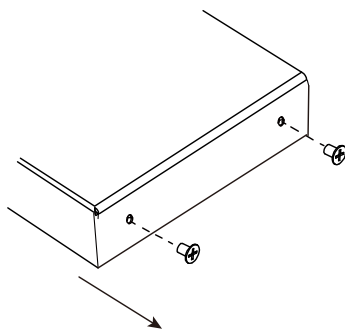
# Instalación y cableado

## Instalación de los soportes

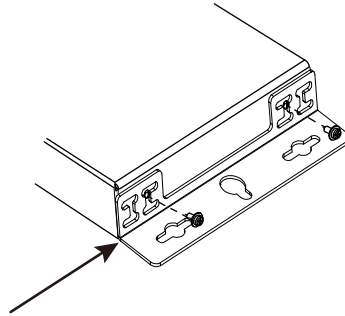
**Nota:** Antes de la instalación, asegúrese de que el dispositivo esté desconectado de la fuente de alimentación.

Pasos para instalar el dispositivo en un lugar adecuado:

1. Quitar los cuatro tornillos que sujetan los paneles laterales al transmisor.



- Ubicar en la posición e instalar los soportes de montaje con los cuatro tornillos de montaje provistos.



- Montar y fijar el transmisor a la superficie o en un lugar adecuado con los tornillos de montaje (no incluidos).
- Repetir los pasos 1, 2 y 3 para instalar el receptor.

## Cableado

### Advertencias:

- Antes de cablear, desconectar el equipo de la fuente de alimentación.
- Durante el cableado, conectar y desconectar los cables con cuidado.

### Modo ARC:

Nota: Para configurar la alimentación del canal ARC por TV:

Asegurarse de que el sistema AV y el canal ARC por TV funcionen; la función CEC debe estar habilitada.

- Cambiar el interruptor DIP del panel frontal del receptor al modo ARC.



- Conectar un sistema AV al puerto de entrada HDMI IN del transmisor.
- Conectar los puertos de entrada HDMI IN con la función ARC de un TV al puerto de salida HDMI OUT del receptor.
- Conectar el puerto de salida HDBT OUT del transmisor al puerto de entrada HDBT IN del receptor.

5. Configurar la función CEC del TV en la posición de encendido.
6. Cambiar el sistema AV al canal ARC.
7. Conectar el adaptador de corriente provisto al transmisor o al receptor.
8. Encender todos los dispositivos conectados. La señal de audio del TV que sale por el puerto de salida HDMI OUT se transmitirá al sistema AV conectado al puerto de entrada HDMI IN del transmisor. (Ver Figura 1)

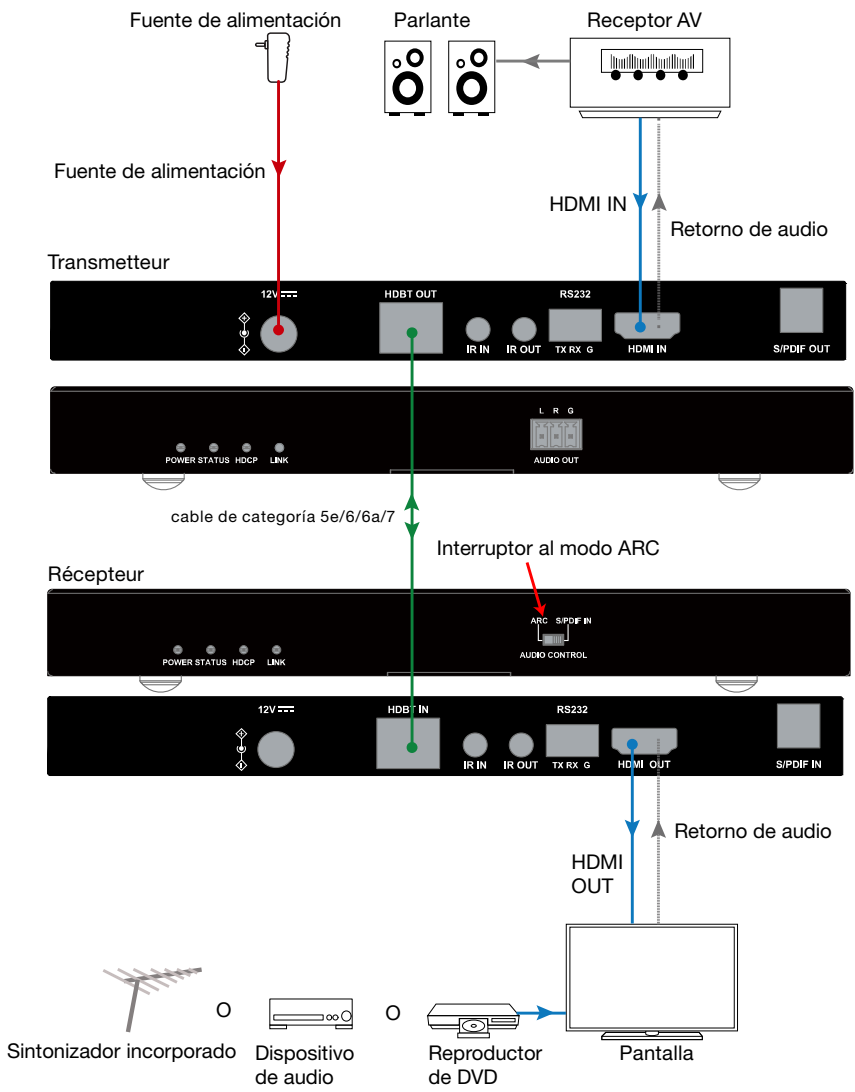
Modo de conexión de paso S/PDIF:

1. Cambiar el interruptor DIP del panel frontal del receptor al modo de entrada S/PDIF IN.



2. Conectar un receptor de audio al puerto de salida S/PDIF OUT del transmisor.
3. Conectar una fuente de audio al puerto de entrada S/PDIF IN del receptor.
4. Conectar el puerto de salida HDBT OUT del transmisor al puerto de entrada HDBT IN del receptor.
5. Conectar el adaptador de corriente provisto al transmisor o al receptor.





Alimentación Figura 1 Cambiar control de audio al modo "ARC"

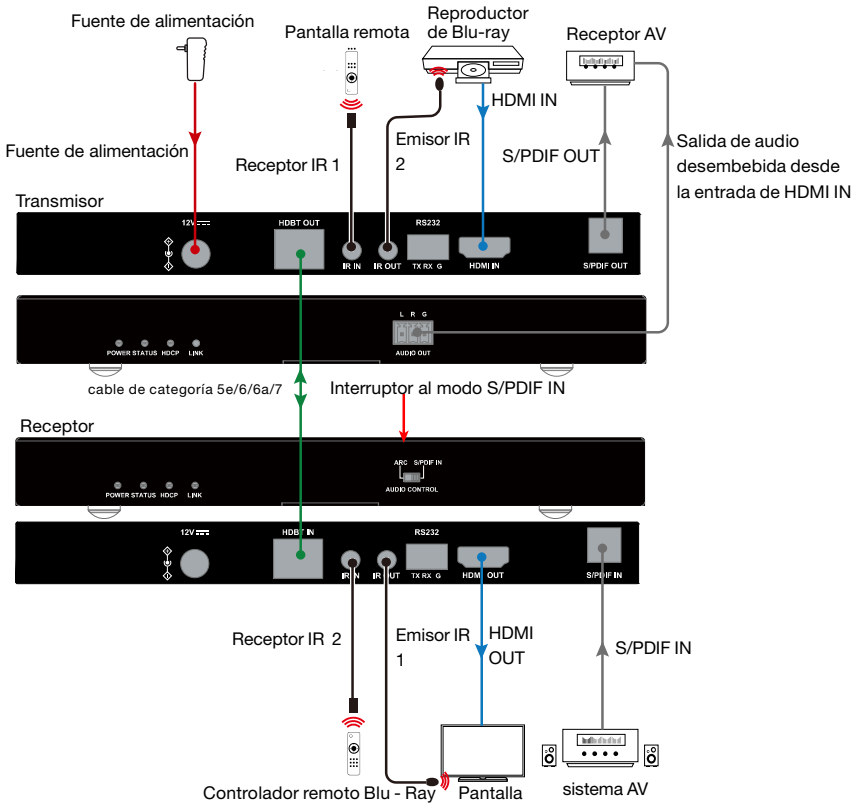


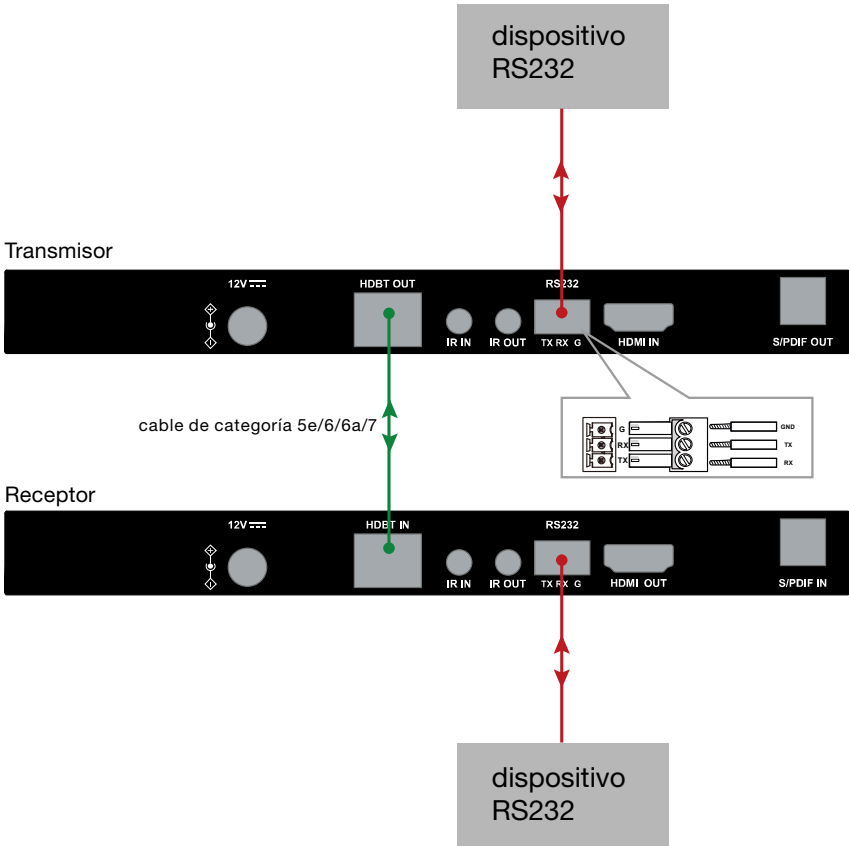
Figura 2 Cambiar control de audio al modo "S/PDIFIN"

### Para cableado adicional:

- Paso de infrarrojos bidireccional: conecte el receptor de infrarrojos proporcionado al puerto de entrada de infrarrojos del transmisor / receptor y conecte el emisor de infrarrojos proporcionado al puerto de salida de infrarrojos del receptor / transmisor. Puede controlar la fuente HDMI en el lado del receptor o controlar la pantalla en el lado del transmisor. (Ver figura 2)
- Paso RS232 bidireccional: conecte dispositivos habilitados para RS232, como PC, a los puertos RS232 del transmisor y receptor. (Consulte la sección "Paso a través de RS232")

# Conexión de paso RS232

De acuerdo con la función de conexión de paso RS232 bidireccional, puede usar dos sistemas de control RS232 para comunicación en serie conectándose a los dispositivos a través de los cables seriales para controlar el dispositivo fuente o la pantalla.



# Garantía limitada

## 1. Garantía limitada

### a. General

Sujeto a los términos y condiciones de esta Garantía limitada, desde la fecha de venta hasta el período correspondiente a las categorías de productos especificadas en la Sección 1(b), ADI garantiza que los productos de la marca AVARRO están libres de defectos en los materiales y de mano de obra en condiciones de uso y servicio normales, excepto por el desgaste normal. Salvo que lo exija la ley, esta Garantía limitada se otorga únicamente al Comprador y no puede ser cedida a ningún tercero.

ADI no tendrá ninguna obligación en virtud de esta Garantía limitada ni de ningún otro concepto si:

- (i) El producto se instala, aplica o mantiene de manera incorrecta.
- (ii) El producto se instala fuera de los parámetros de funcionamiento indicados, se altera o es objeto de mantenimiento o reparaciones inadecuados.
- (iii) El daño es causado por sucesos naturales externos, como rayos, sobrecargas eléctricas, incendios, inundaciones, fenómenos de la naturaleza o similares.
- (iv) Los defectos son consecuencia de modificaciones no autorizadas, uso indebido, vandalismo u otras causas no relacionadas con materiales defectuosos ni con defectos de fabricación, o fallas relacionados con baterías de cualquier tipo utilizadas con los productos vendidos según el presente documento.

ADI solo garantiza los productos de la marca AVARRO y vendidos por ADI. Cualquier otro producto con marca de terceros está garantizado por el fabricante externo por un período definido por ese fabricante, y ADI asigna al Comprador esas garantías y solo las garantías otorgadas por dichos fabricantes o proveedores externos para los productos que no son de marca ADI. ADI no garantiza por sí misma ningún producto que no sea de la marca ADI y solo lo

vende "tal como está", de acuerdo con los términos y condiciones de venta de ADI.

b. Las garantías específicas para las categorías de productos son las siguientes:

Categorías de productos	Período de garantía
Distribución HDMI	2 años

2. EXCLUSIÓN DE GARANTÍAS, LIMITACIÓN DE RESPONSABILIDAD

NO EXISTEN GARANTÍAS NI CONDICIONES, EXPRESAS O IMPLÍCITAS, DE COMERCIALIZACIÓN O IDONEIDAD PARA UN FIN DETERMINADO O DE OTRO TIPO, QUE VAYAN MÁS ALLÁ DE LA DESCRIPCIÓN QUE FIGURA EN EL PRESENTE DOCUMENTO. EN LA MEDIDA EN QUE LO PERMITA LA LEY, EN NINGÚN CASO ADI SERÁ RESPONSABLE ANTE NADIE DE NINGÚN DAÑO (I) CONSECUENTE, INCIDENTAL, INDIRECTO, ESPECIAL O PUNITIVO QUE SURJA O SE RELACIONE DE ALGUNA MANERA CON EL PRODUCTO Y/O DEL INCUMPLIMIENTO DE ESTA O CUALQUIER OTRA GARANTÍA O CONDICIÓN, EXPRESA O IMPLÍCITA, O SOBRE CUALQUIER OTRA BASE DE RESPONSABILIDAD, AUNQUE LA PÉRDIDA O EL DAÑO SEA CONSECUENCIA DE LA PROPIA NEGLIGENCIA O CULPA DE ADI, Y AUNQUE ADI HAYA SIDO ADVERTIDA DE LA POSIBILIDAD DE TALES PÉRDIDAS O DAÑOS. Cualesquiera sean la descripción del producto (expresada por escrito u oralmente por ADI o por los representantes de ADI), las especificaciones, las muestras, los modelos, el anuncio, los dibujos, los diagramas, las hojas de ingeniería o materiales similares utilizados en relación con el pedido del Comprador tienen el único propósito de identificar los productos de ADI y no se interpretarán como una garantía o condición expresa. Cualquier sugerencia de ADI o de los representantes de ADI en relación con el uso, las aplicaciones o la idoneidad de los productos no se interpretará como una garantía o condición expresa, a menos que ADI la confirme como tal por escrito. ADI no garantiza que los productos que vende no puedan verse comprometidos ni alterados; que los productos impedirán cualquier daño personal o pérdida de propiedad por robo, hurto, incendio u otro motivo, o que los productos proporcionarán en

todos los casos la advertencia o protección adecuada. El Comprador entiende y hará entender a su cliente que un producto correctamente instalado y mantenido no constituye un seguro ni una garantía de que no causará ni provocará daños personales o pérdidas materiales. EN CONSECUENCIA, ADI NO TENDRÁ NINGUNA RESPONSABILIDAD DE LESIONES PERSONALES, DAÑOS A LA PROPIEDAD O CUALQUIER OTRA PÉRDIDA BASADA EN CUALQUIER RECLAMACIÓN, INCLUIDA LA RECLAMACIÓN DE QUE EL PRODUCTO NO HAYA DADO ADVERTENCIA. Sin embargo, si ADI es responsable, directa o indirectamente, de cualquier pérdida o daño con respecto a los productos que vende, independientemente de la causa o el origen, su responsabilidad máxima no superará en ningún caso el precio de compra del producto, que se fijará como daños liquidados y no como una penalización, y constituirá la única y toda medida de reparación contra ADI.

### 3. Limitación de la responsabilidad ante los clientes del Comprador.

El Comprador se compromete a limitar la responsabilidad ante sus clientes en la medida en que lo permita la ley. El Comprador reconoce que solo se considerará que ADI da a los consumidores de sus productos las garantías legales que puedan ser exigidas por la ley y en ningún momento el Comprador manifestará a sus clientes y/o usuarios de los productos de ADI que ADI otorga alguna garantía adicional. Al aceptar los productos, en la medida en que lo permita la ley, el Comprador asume toda la responsabilidad de, y acepta indemnizar y eximir a ADI de responsabilidad y defenderla de, cualesquier y todos los juicios, reclamos, demandas, causas de acción y sentencias relacionadas con daños, ya sea por lesiones personales o a la propiedad personal, sufridos por cualquier persona, firma, corporación o asociación comercial, e incluye, entre otros, a los clientes del Comprador y/o los usuarios de los productos debido a cualquier incumplimiento de los productos en cuanto a detectar y/o advertir del peligro para el cual los bienes fueron diseñados o cualquier otro incumplimiento de los productos, sin importar si la negligencia o culpa individual, colectiva o concomitante de ADI hayan causado o contribuido a tales daños.

#### 4. Devoluciones

Sujeto a los términos y condiciones que se enuncian a continuación, durante el período de garantía aplicable, ADI reemplazará el producto u otorgará un crédito en la compra, a su sola opción, sin cargo alguno, por cualquier producto defectuoso devuelto con franqueo pagado. Cualquier obligación de ADI de reemplazar los productos de la garantía limitada de por vida en virtud de esta garantía que resulte de un defecto está limitada a la disponibilidad del producto de reemplazo. ADI se reserva el derecho de reemplazar cualquiera de esos productos por los productos disponibles en ese momento, o proporcionar un crédito a su entera discreción. En el caso de que el Comprador tenga un problema con cualquier producto de ADI, debe llamar a su sucursal local de ADI a fin de recibir instrucciones para hacer la devolución:

Para Estados Unidos, llame al 1-800-233-6261

Para Canadá, llame al 877-234-7378

Para Puerto Rico, llame al 787-793-8830

Asegúrese de tener a mano el número de modelo y la naturaleza del problema. En caso de reemplazo, el producto devuelto se acreditará en la cuenta del Comprador y se emitirá una nueva factura por el artículo de reemplazo. ADI se reserva el derecho de emitir un crédito solo a cambio del reemplazo.

Si se determina que cualquier producto de la marca AVARRO se encuentra en buen estado de funcionamiento o que la incapacidad de dicho producto para funcionar correctamente es el resultado de daño o uso indebido por parte del usuario, el producto será devuelto al Comprador en las mismas condiciones en que lo recibió y el Comprador será responsable de cualquier costo de envío de la devolución.

#### 5. Ley competente

Esta Garantía Limitada se rige por las leyes del estado de Nueva York.

#### 6. Varios

Cuando dichas leyes prohíban algún término de esta Garantía limitada, este será considerado nulo y sin efecto, pero el resto de la Garantía limitada seguirá teniendo pleno vigor y efecto.

