



ASSEMBLY MANUAL

WALL MOUNT RACK

SR-WM-10U

SR-WM-12U

SR-WM-16U

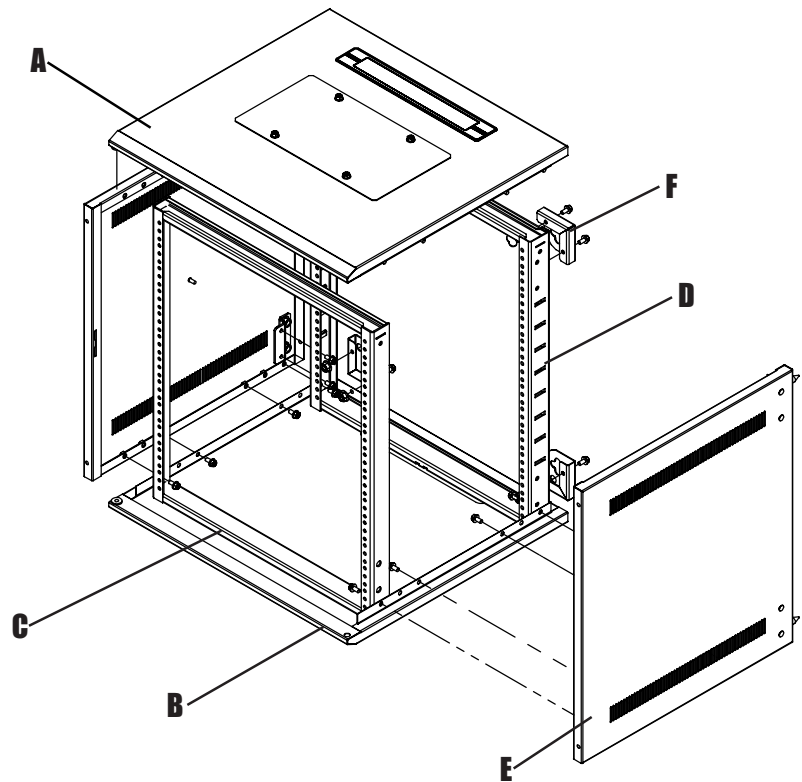


STRONG WALL MOUNT RACKS

Strong equipment wall racks are available in sizes 10U, 12U, and 16U, and are constructed with 11 gauge (3mm) thick rack rails and 14 gauge (2mm) thick top and bottom covers to provide extreme rigidity. Features include locking fronts, E-coated rack rails to maintain clean threads, and optional side panels and doors.

PARTS INCLUDED

- A. Top Cover (1)
- B. Bottom Cover (1)
- C. Front Frame Assembly (1)
- D. Rear Frame Assembly (1)
- E. Side Panels (2)
- F. Corner Brackets(4)
- G. Plastic Covers for Wire cutouts (not shown)
- H. Cover for Fan cutout (not shown)
- I. Hardware For Assembly (not shown)
- J. Wall Mount Template (not shown)

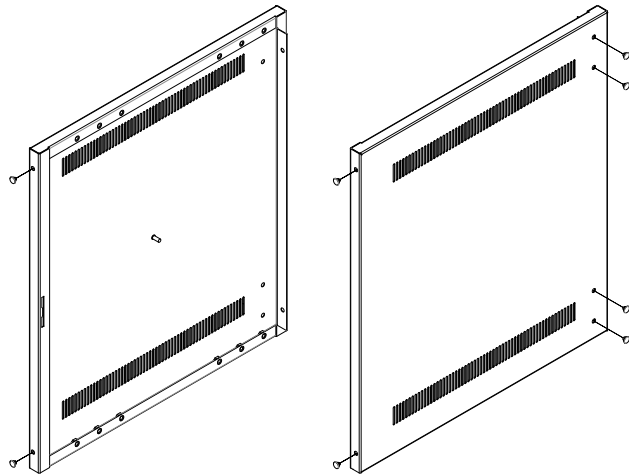


⚠ NOTE: The bolts to secure the rack to the wall are not included. It is strongly recommended that a 3/8" lag bolt be used to mount the rack to the wall studs. If the location of the rack does not line up with the studs, a 2x4 across the studs or a sheet of plywood attached to the studs must be used to attach the rack to the wall. **THE USE OF MOLLYS OR ANCHORS IS NOT RECOMMENDED!**

ASSEMBLY STEPS

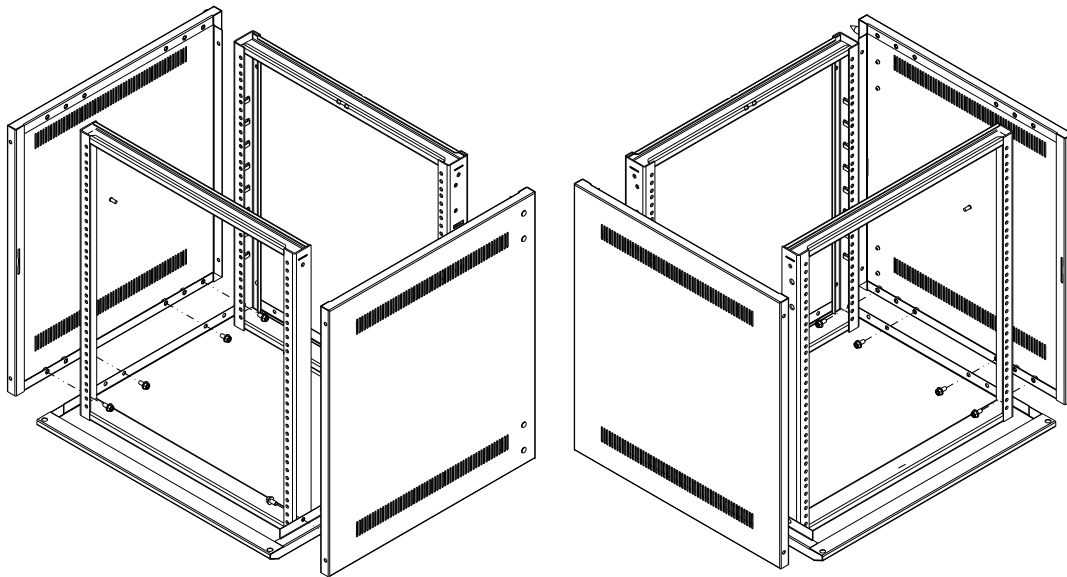
1. Prepare the Side Panels

- A. Insert rubber bumpers into the left side panel front edge.
- B. Insert rubber bumpers into the right side panel front edge and side.



2. Mount the Side Panels

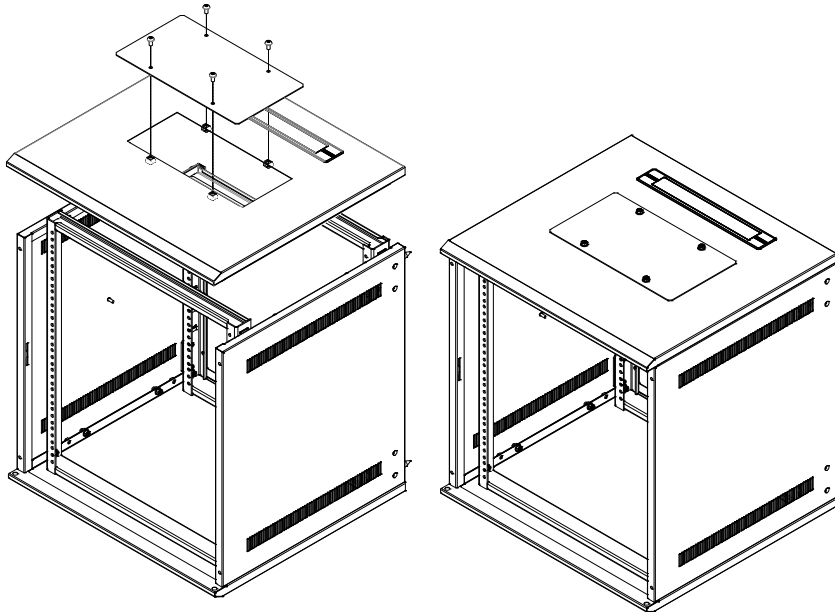
- A. Place the bottom cover on a flat, even surface.
- B. Place the rail assemblies on the bottom cover as shown in the diagram.
- C. Secure the left side panel to the bottom cover and rail. Do not tighten screws all the way to allow for placement of the top cover. Repeat for right side panel.



3. Install the Top Cover

- A. Attach top plate to the cover using included screws.
- B. Secure top cover to rack.
- C. Tighten all screws for the top and bottom covers.

***NOTE:** The top cover secures to the rack with the same screw type as the bottom cover.
See Install the Side Panels for assembly steps.

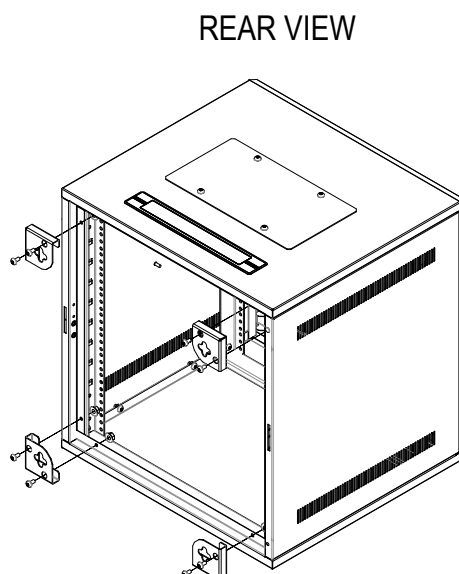
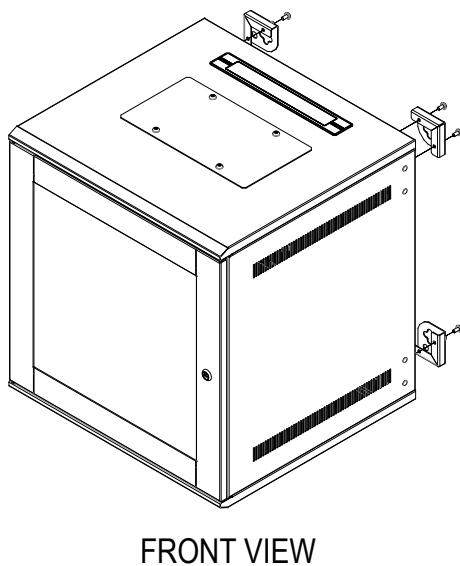


4. Attach the Wall Brackets



CAUTION: Due to the weight and size of the Strong Wall Rack, it is recommended that wall mounting be performed by 2 or more installers in order to avoid injury or damage to the rack.

- A. Attach corner brackets securely to cabinet.



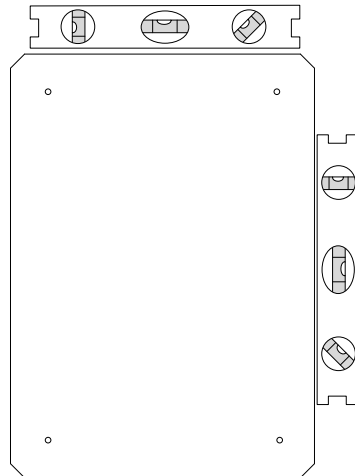
- B. Tighten all screws for the top and bottom covers.

5. Attaching to Wall

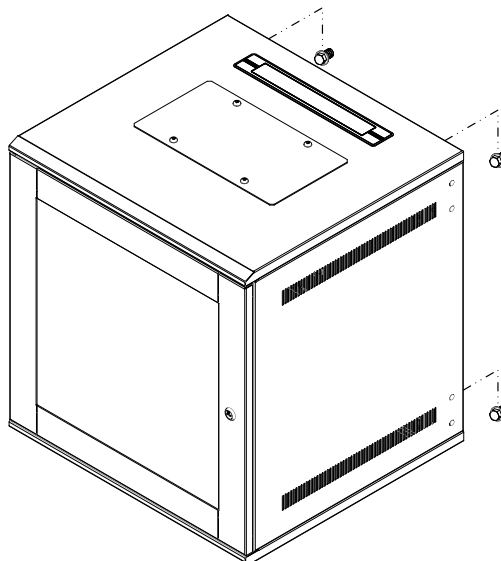
NOTE: The bolts to secure the rack to the wall are not included. It is strongly recommended that a 3/8" lag bolt be used to mount the rack to the wall studs. If the location of the rack does not line up with the studs, a 2x4 across the studs or a sheet of plywood attached to the studs must be used to attach the rack to the wall.

THE USE OF MOLLYS OR ANCHORS IS NOT RECOMMENDED!

- A. Locate wall studs using a stud finder (not included).
- B. Position the provided mounting template on the wall in the desired location of the rack.
- C. Level the template and mark the wall with the bolt locations.



- D. Install the mounting bolts into the locations marked with the template. Leave the bolts loose enough for the brackets to slide over the heads when hanging the rack. If the optional Swing Kit is being used, proceed to Step F.
- E. Slide the wall rack assembly onto the lag bolts in the wall, then finish tightening the bolts in the wall.



CAUTION: This rack is intended for use only with Strong shelf models with a maximum combined load of 250 pounds. Use with heavier than the maximum load indicated may result in instability causing possible injury.

KNOCK-OUTS

To accommodate for wire pass through, the top and bottom covers have knockouts on the back side of the racks. To utilize the knockouts, use a hammer and remove the material.

ACCESSORY INSTALLATION

- Determine the layout of your components, their space requirements and where you will place vents or blanks.
- Unbox your first shelf, starting with the one you will place at the bottom of the rack. The heaviest components should be placed as low as possible.
- Unfold shelf side panels and mount in desired rack location using four Strong™ rack screws. Accessory mounting screws are not included with shelves, vents or blanks.
- Install component onto shelf.
- Unbox and install the next shelf, vent or blank following the above steps.

NOTE: *It is recommended to use a vent above components that generate excessive heat, such as surround receivers, amplifiers, satellite receivers, DVR's, cable boxes and media servers.*

RACK SCREWS

Screws are not included with Strong™ rack accessories, but extra screws are available (SR-SCREWS-200JAR) for purchase. One no-roll jar includes 200 black 10/32 screws featuring #2 Phillips heads and Nylon washers.

LIFETIME LIMITED WARRANTY



All Strong™ products have a Lifetime Limited Warranty. This warranty includes parts and labor repairs on all components found to be defective in material or workmanship under normal conditions of use. This warranty shall not apply to products which have been abused, modified or disassembled. Products to be repaired under this warranty must be returned to SnapAV or a designated service center with prior notification and an assigned return authorization number (RA).

For Technical Support : 1.866.838.5052

CONTACTING TECHNICAL SUPPORT

Phone: (866) 838-5052

Email: Techsupport@snapav.com

