

TRIVE™

Access & Power Integration

Altronix/Mercury Rack Kits

Models Include:

T2RM78S

8 Door Kit with Fused Outputs

Fully assembled kit includes:

- Trove2R enclosure with TM2R Altronix/Mercury backplane
- One (1) AL1024RLB - Power Supply/Charger
- One (1) ACMS8 - Dual Input Fused Access Power Controller
- One (1) VR6 - Voltage Regulator
- One (1) PDS8 - Dual Input Fused Power Distribution Module

T2RM78SQ

8 Door Networked Kit with Fused Outputs

Fully assembled kit includes:

- Trove2R enclosure with TM2R Altronix/Mercury backplane
- One (1) AL1024RLB - Power Supply/Charger
- One (1) LINQ8ACM - Dual Input Networked Fused Access Power Controller
- One (1) VR6 - Voltage Regulator
- One (1) PDS8 - Dual Input Fused Power Distribution Module

T2RM78SD

8 Door Kit with PTC Outputs

Fully assembled kit includes:

- Trove2R enclosure with TM2R Altronix/Mercury backplane
- One (1) AL1024RLB - Power Supply/Charger
- One (1) ACMS8CB - Dual Input PTC Access Power Controller
- One (1) VR6 - Voltage Regulator
- One (1) PDS8CB - Dual Input PTC Power Distribution Module

T2RM78SDQ

8 Door Networked Kit with PTC Outputs

Fully assembled kit includes:

- Trove2R enclosure with TM2R Altronix/Mercury backplane
- One (1) AL1024RLB - Power Supply/Charger
- One (1) LINQ8ACMCB - Dual Input Networked PTC Access Power Controller
- One (1) VR6 - Voltage Regulator
- One (1) PDS8CB - Dual Input PTC Power Distribution Module

Please refer to the included corresponding Sub-Assembly Installation Guides for further information.

Installation Guide



All registered trademarks are property of their respective owners.

Rev. 102324

Installing Company: _____ Service Rep. Name: _____

Address: _____ Phone #: _____



More than just power.™

Overview:

Altronix Trove Mercury rack kits are pre-assembled and consist of Trove enclosures/backplanes with factory installed Altronix power supply/charger and sub-assemblies. All kits accommodate a variety of Mercury modules for up to eight doors in a single enclosure.

Configuration Chart:

| Altronix Model Number | Networked | 120VAC 60Hz Input Current (A) | Power Supply Board Input Fuse Rating | Power Supply Board Battery Fuse Rating | Nominal DC Output Voltage Range (VDC) | Maximum Supply Current for Main and Aux. Outputs on Power Supply board and ACMS8(CB) or LINQ8ACM(CB) Access Power Controller's outputs | Fail-Safe/Fail-Secure or Dry Form "C" Outputs | Current Per ACMS8(CB) or LINQ8ACM(CB) Output (A) | ACMS8(CB) or LINQ8ACM(CB) Board Input Fuse (PTC) Rating | ACMS8(CB) or LINQ8ACM(CB) Board Output Fuse (PTC) Rating | PDS8(CB) Board Input Fuse (PTC) Rating | PDS8(CB) Board Output Fuse (PTC) Rating |
|-----------------------|-----------|-------------------------------|--------------------------------------|--|---------------------------------------|--|---|--|---|--|--|---|
| T2RM78S | - | 4.5 | 5A/ 250V | 15A/ 32V | 20.17- 26.4 | 24VDC @ 9.2A | 8 | 2.5 | 15A/ 32V | 3A/ 32V | 10A/ 32V | 3A/ 32V |
| T2RM78SD | - | | | | | | | 2.0 | 9A | 2.5A | 9A | 2.5A |
| T2RM78SQ | ✓ | 4.5 | 5A/ 250V | 15A/ 32V | 20.17- 26.4 | 24VDC @ 9.2A | 8 | 2.5 | 15A/ 32V | 3A/ 32V | 10A/ 32V | 3A/ 32V |
| T2RM78SDQ | ✓ | | | | | | | 2.0 | 9A | 2.5A | 9A | 2.5A |

Hardware:



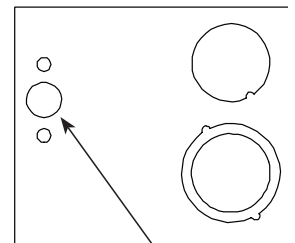
Installing Trove2R into Rack Tower:

Wiring methods shall be in accordance with the National Electrical Code/NFPA 70/ANSI, and with all local codes and authorities having jurisdiction. These products are for indoor use only and must be installed within the protected premises.

Note: First assemble and Install Z Bracket Wire Management Accessory (refer to Z Bracket Installation pg. 3)

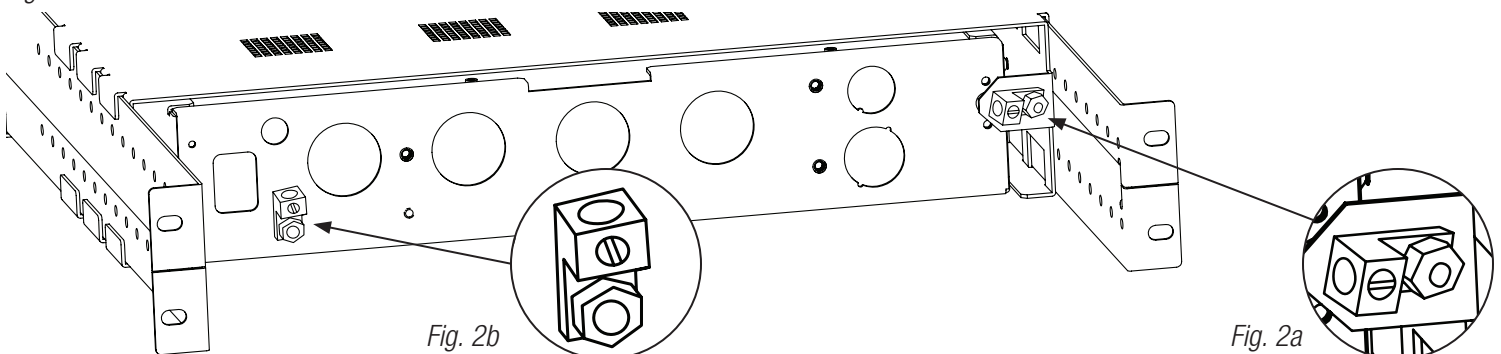
1. Remove backplane from enclosure prior to installing into rack cabinet (do not discard hardware).
2. In order to mount included cUL Listed tamper switch (Tane Model 3/8 ASH FM WH or equivalent), turn the enclosure upside down and locate mounting holes (Fig. 1, pg. 2). Insert the tamper switch flying leads into the center knockout of the three (3) holes from outside of the drawer with the button facing outwards, make sure tamper switch is inserted properly then secure it with the two (2) screws (supplied). Connect tamper switch wiring to the Access Control Panel input or the appropriate UL Listed reporting device. To activate alarm signal open the rack drawer.
3. Slide the rack enclosure into an open 2U location in the four post rack cabinet.
4. Utilizing proper fasteners attach front ears to the rack rails (Rack Drawer, pg. 8).
5. Attach the rear of the adjustable slides to the rear rails of the rack cabinet with the proper fasteners.
6. Secure the rack cover (Fig. 2a, pg. 3) and rack drawer (Fig. 2b, pg. 3) to earth ground.
7. Ensure that all internal configurations (voltage selection, switch settings, etc.) are completed before mounting backplane back into Trove rack enclosure.
8. Refer to the ULXB Power Supply/Charger Installation Guide for AL1024RLB and corresponding Sub-Assembly Installation Guides for the following models: ACMS8(CB), LINQ8ACM(CB), PDS8(CB), VR6 for further instructions.

Fig. 1
Back of the drawer,
viewed from outside.



Tamper Switch
mounting location

Fig. 2



Z Bracket Installation for Trove2R:

Altronix Trove2R enclosure includes Z Bracket, a convenient and reliable wire management accessory.

Hardware (included):



Twelve (12) bolts and



eight (8) lock nuts.

1. Carefully unpack Z Bracket. Do not discard included hardware (*Fig. 3, pg. 3*).
2. Attach arms to each other using bolts and lock nuts (*Fig. 4a, pg. 3*).
3. Attach the hinge brackets to the ends of arms using bolts and nuts, positioning them as shown on (*Fig. 4b, pg. 3*).
4. Make sure that all nuts are tightened.

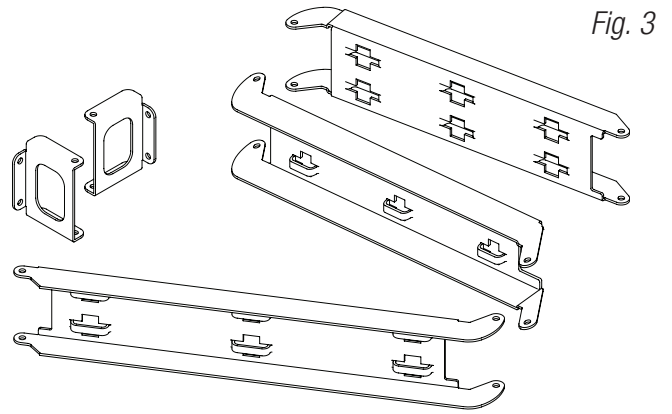
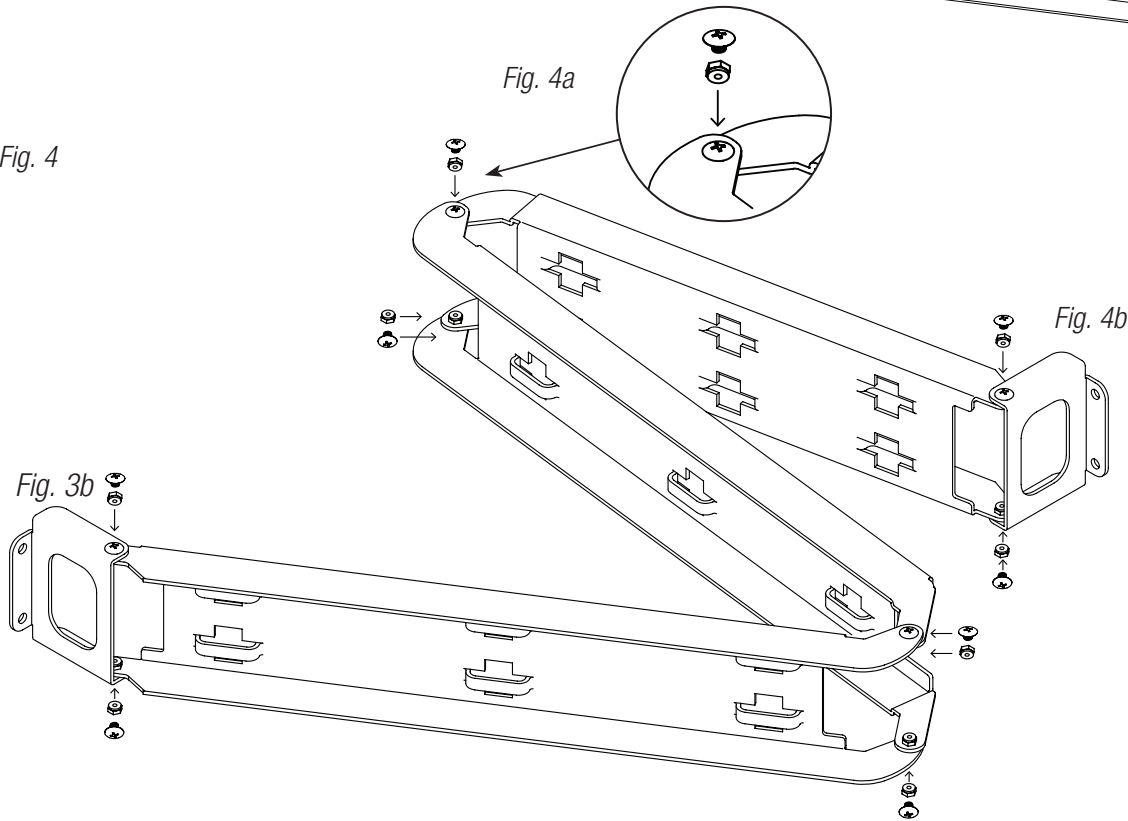


Fig. 3

Fig. 4



5. Attach the hinge bracket on each end of Z Bracket, then attach the Z Bracket to the adjustable slide using bolts and lock nuts (included) (*Fig. 5, 5a, pg. 3*).
6. Attach the hinge bracket on the shorter side of Z Bracket to the rear of the rack enclosure using bolts (included).

Fig. 5

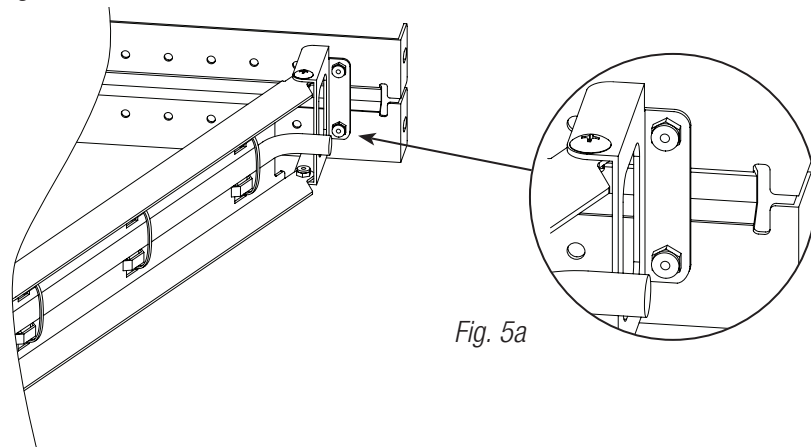


Fig. 5a

T2RM78S(D): Configuration of Mercury Boards:

1. Fasten spacers onto metal pems configuration (A), (B) or (C) of backplane depending on the access controller (Fig. 6, pg. 4).
2. Position access controller module over corresponding spacers and fasten screws into spacers (Fig. 6a, pg. 4).
3. Mount backplane to enclosure with hardware.

Mercury Access Controller Position Chart for the Following Models:

| Altronix/Mercury | Pem Mounting |
|---------------------------------------|--------------|
| LP1502, LP4502, MR52, MR16IN, MR16OUT | (A) |
| LP2500, MUX8 | (B) |
| Genetec Cloudlink | (C) |

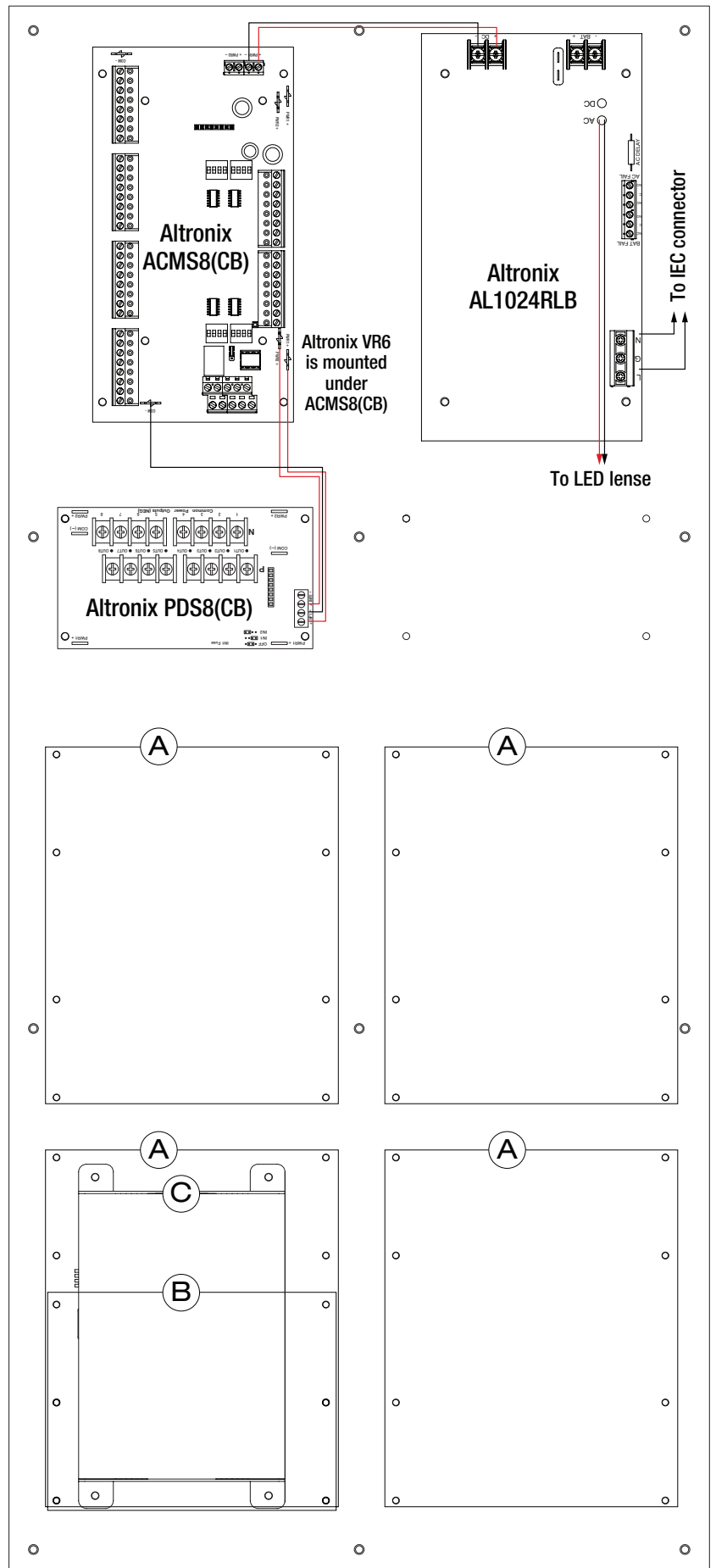
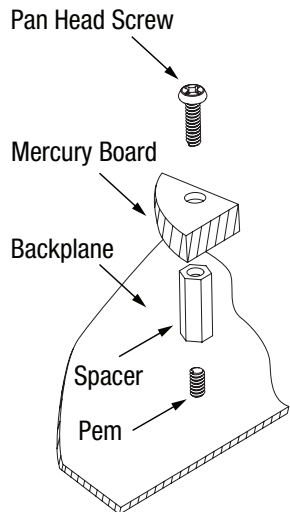


Fig. 6

Fig. 6a



T2RM78S(D)Q: Configuration of Mercury Boards:

1. Fasten spacers onto metal pems configuration (A), (B) or (C) of backplane depending on the access controller (Fig. 7, pg. 5).
2. Position access controller module over corresponding spacers and fasten screws into spacers (Fig. 7a, pg. 5).
3. Mount backplane to enclosure with hardware.

Mercury Access Controller Position Chart for the Following Models:

| Altronix/Mercury | Pem Mounting |
|---------------------------------------|--------------|
| LP1502, LP4502, MR52, MR16IN, MR16OUT | (A) |
| LP2500, MUX8 | (B) |
| Genetec Cloudlink | (C) |

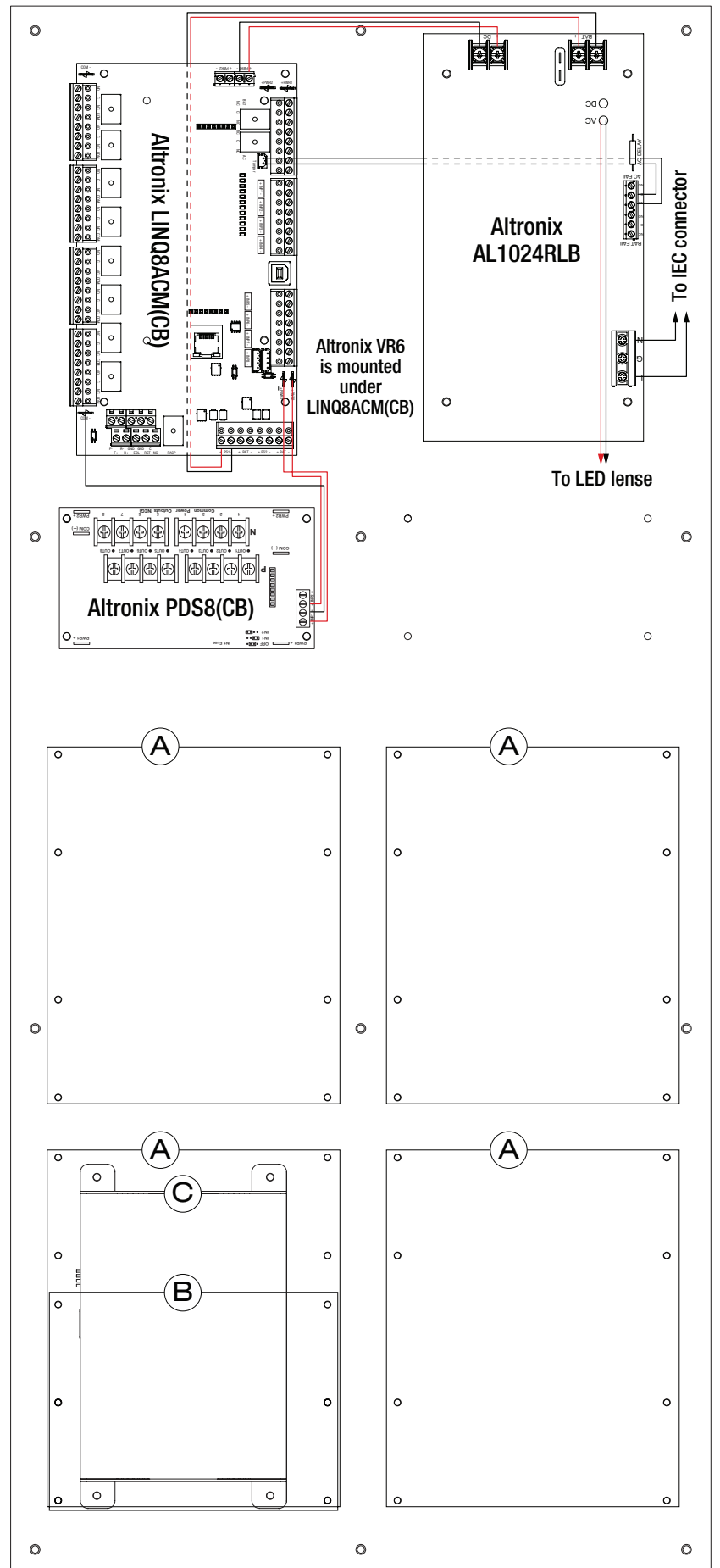
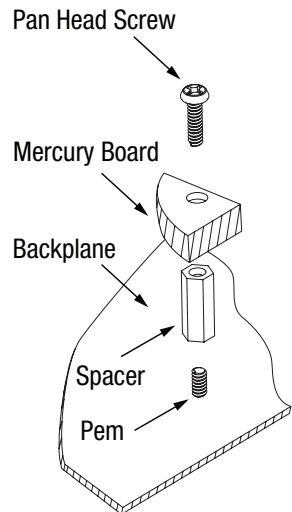


Fig. 7a

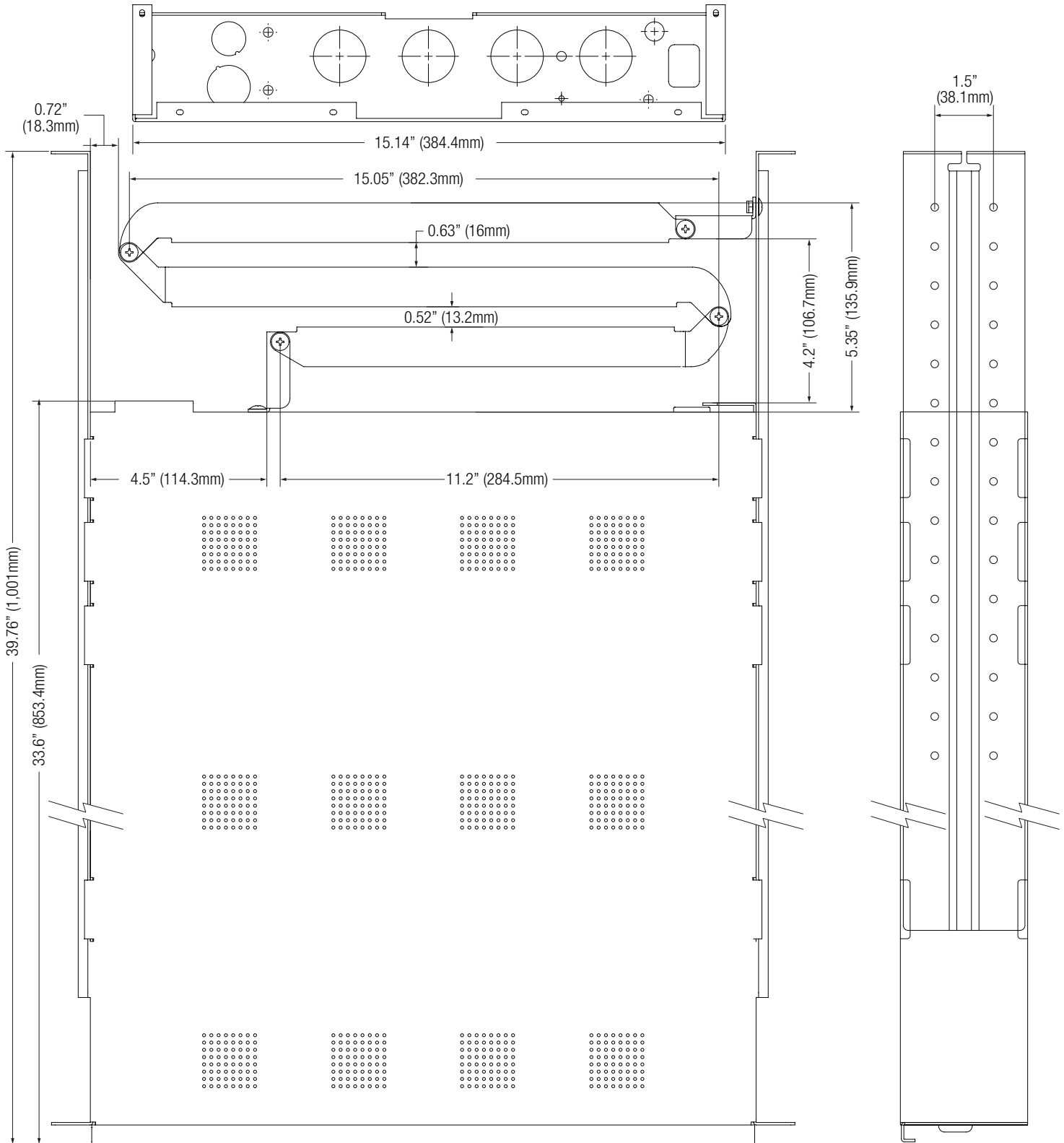


Notes:

Notes:

Trove2R Enclosure Dimensions (H x W x D approximate):

3.375" x 19.0" x 33.25" (85.8mm x 482.6mm x 844.6mm). Shown with Z Bracket attached.



Altronix is not responsible for any typographical errors. Product specifications are subject to change without notice.

140 58th Street, Brooklyn, New York 11220 USA | phone: 718-567-8181 | fax: 718-567-9056
 website: www.altronix.com | e-mail: info@altronix.com | Lifetime Warranty
 IIT2RM ULXB Kits

J23X

