



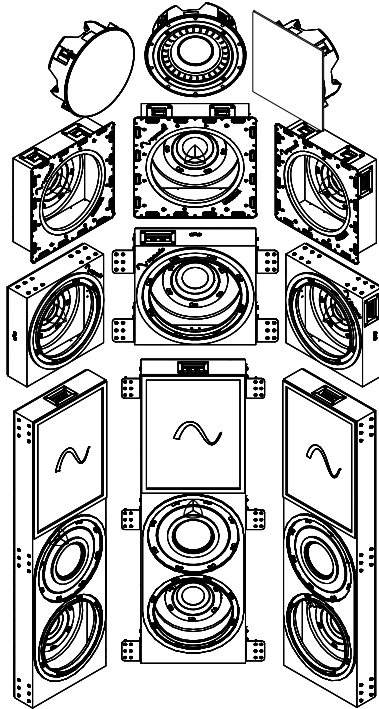
INSTALLATION MANUAL

ESS-SUB-SNGL-8

ESS-SUB-ENC-RET-SGL8

ESS-SUB-ENC-IWIC-PCO

ESS-SUB-ENC-IW-PCON



REAL. LIFE. SOUND.





INTRODUCTION

Thank you for purchasing Episode® Signature speakers. Episode is one of the most highly-regarded brands of speakers available today. We appreciate your business and we stand committed to providing our customers with the highest degree of quality and service in the industry.

For optimal system performance, we recommend pairing them with our acclaimed Episode Signature speakers and Episode Subwoofer Amplifiers..

To complete installation, follow these guidelines.

SETUP

Subwoofer Placement

The placement and configuration of the subwoofer can affect its performance. All rooms are different and the strongest output will likely occur if you place your subwoofer in the front of the room or on the same wall or ceiling as your front channel / distributed speakers.

Keep subwoofers about 2 feet away from corners and other surfaces that might interfere with or reflect sound, such as tall furniture.

CUTOUT DIMENSIONS

Refer to the chart below to verify the correct dimensions prior to cutting drywall.

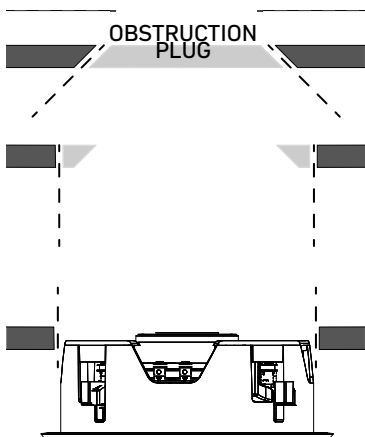
Model	Cutout Dimension	Mounting Depth
ESS-SUB-SNGL-8	9.7"	3 ⁷ / ₈ "
ESS-SUB-ENC-RET-SGL8	12" × 12"	3 ⁷ / ₈ "
ESS-SUB-ENC-IW-PCON	9.7"	3 1/2"
ESS-SUB-ENC-IWIC-PCO	9.7"	5 ¹ / ₈ "

Existing Construction Install

Free-air Subwoofer installations can be simplified by using Episode pre-construction brackets (sold separately). Install them prior to drywall to allow for precise placement of the subwoofer. Secure the wiring within reach of the bracket for easy access. If using the speaker as a free air installation, make a cutout for the speaker using the supplied template.



Allow space for the bezel if installing near adjacent objects, or cut the hole in two steps as shown below.

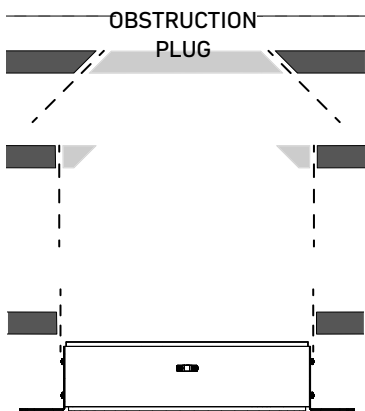


1. Cut the drywall at a 45° angle so that if the speaker is too close to an obstruction, you can easily 'plug' the hole.
2. If there are no obstructions, cut the drywall again, this time at a 90° angle.
3. Insert the subwoofer into the cutout. This bezel round grille included with free-air subwoofer.

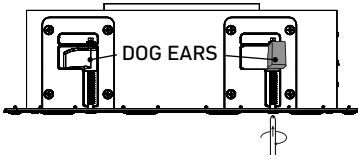
Using The Retrofit Backbox

Using an enclosure in combination with the free air subwoofer can improve overall system performance by controlling the air volume behind the wall. In addition to added performance, enclosures also aid in reducing transient noise to adjacent rooms. If using the retrofit enclosure (**ESS-SUB-ENC-RET-SGL8**) first make a cutout for the enclosure using the supplied template. Allow space for the bezel if installing near adjacent objects, or cut the hole in two steps as shown below.

Note: Wire the retrofit enclosure before placing and securing in the wall.

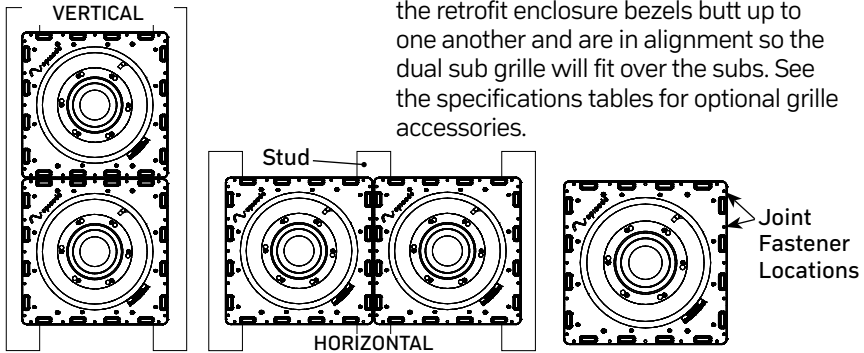


1. Cut the drywall at a 45° angle so that if the enclosure is too close to an obstruction, you can easily 'plug' the hole.
2. If there are no obstructions, cut again at a 90° angle.
3. Wire the retrofit enclosure, then insert it into the space cut into the drywall.



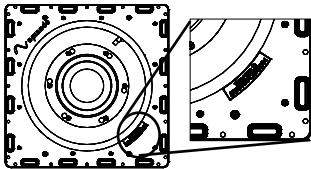
- Secure the back box into the drywall by tightening the dog ears or using the frame of the enclosure to fasten to joists.

NOTE: Stud bays can be spanned vertically or horizontally with 2 subwoofer units without needing to cut the stud joist. Ensure the retrofit enclosure bezels butt up to one another and are in alignment so the dual sub grille will fit over the subs. See the specifications tables for optional grille accessories.



Adding the Subwoofer to the Retrofit Enclosure

Wire the subwoofer to the pigtail contained within the enclosure before installing into the wall. Insert ESS-SUB-SNGL-8 after completing install of the retrofit enclosure(s).



IMPORTANT: Be sure to align the dog ears of the subwoofer to the markings shown on the enclosure. If not done properly, the dog ears may jam against the side, making the speaker very difficult to remove.

NEW CONSTRUCTION INSTALLATIONS

ESS-SUB-ENC-IW-PCON and ESS-SUB-ENC-IWIC-PCO enclosures are intended for install during the pre-construction phase in the home. These control the air volume behind the wall, limit the footprint visible from the finished surface while also helping to reduce transient noise to adjacent rooms.

IMPORTANT: Consider placement of subwoofers early in the process and test the placement of the product in the room prior to installing drywall. Wire enclosures BEFORE drywall is installed.

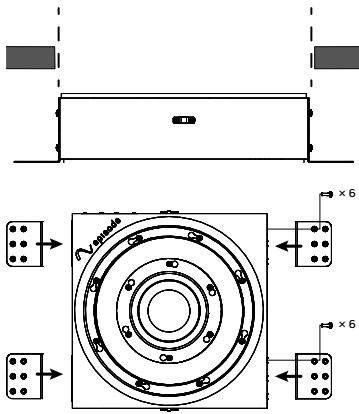
Note: Take extra precautions to secure and dampen studs, drywall, pipes, wires, etc in the wall during the process of installing the pre-construction enclosure.



ESS-SUB-ENC-IWIC-PCO (In Ceiling Back Box)

Without extension Arms

The ESS-SUB-ENC-IWIC-PCO is designed for in-ceiling and in-wall preconstruction applications. This enclosure only fits into a 2" x 6" stud bays and can be used in walls as well. The ESS-SUB-ENC-IW-PCON should be used if the wall is built with 2" x 4" studs.

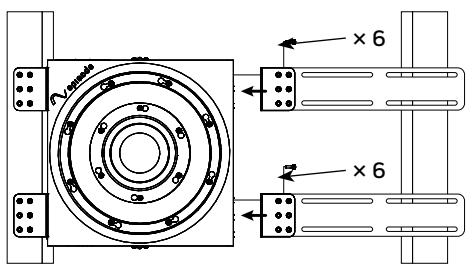


1. Choose the location for the enclosure and install the brackets.
2. Secure the enclosure to the studs through the brackets.

With Extension Arms

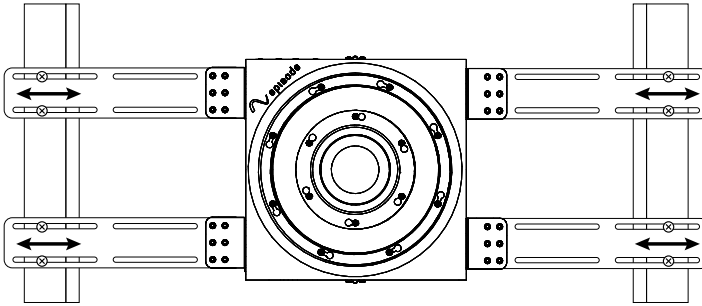
NOTE: The extension arms allow for installation in a stud bay spanning up to 24". Slotted holes allow for side-to-side adjustment within a stud bay prior to securing in the final position.

1. Choose a stud bay for installation of the back box using the extension arms.
2. Attach the extension arms to the existing brackets on the enclosure, using the supplied hardware.



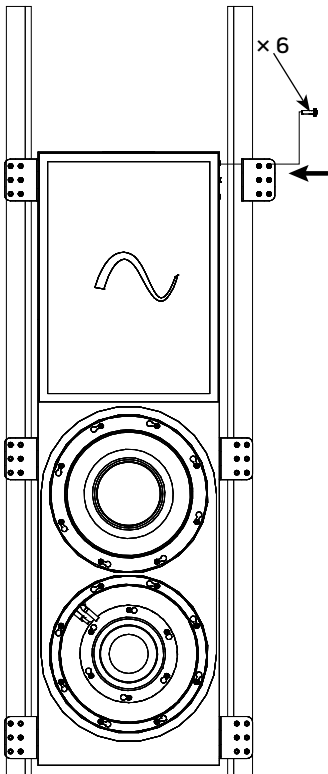


- Secure the extension arms to the studs.



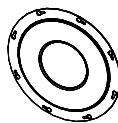
ESS-SUB-ENC-IW-PCON

The ESS-SUB-ENC-IW-PCON is designed to expand air volume behind the wall for an improved sound performance. Follow the instructions below to install this enclosure before the drywall is installed. This enclosure is designed for use with 2" x 4" studs.



- Choose a stud bay for installation of the back box.
- Leave approximately 4" of room at the bottom of the enclosure for easier wiring.
- Secure the enclosure to the stud using the included brackets, again, taking extra precaution to ensure enclosure is tight to studs and drywall to avoid vibrations during use.

Note: By default the ESS-SUB-IW-PCON enclosure is configured for a single subwoofer in the lower location. To move the subwoofer to the upper location, swap the blank plate with the drywall flange. To convert the enclosure for use with dual subwoofers, replace the blank with the included second drywall flange.



BLANK



FLANGE



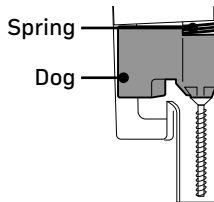
Adding the Subwoofer to the Enclosure for ESS-SUB-ENC-IWIC-PCO and ESS-SUB-ENC-IW-PCON

Complete the instructions below once the drywall has been installed, using the drywall flange to cut out the opening in the sheetrock.

1. Rewire the subwoofer to the pigtails in the enclosure.
2. Insert the subwoofer into the enclosure.
3. Tighten the dogs to secure.

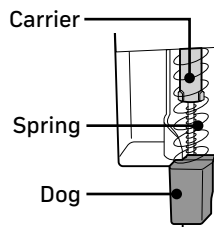
SECURING THE ESS-SUB-SNGLE-8 SUBWOOFER

Engage and Tighten



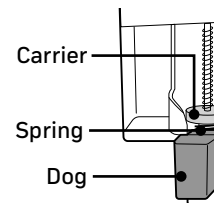
PARKED

1. Insert the subwoofer into the opening and turn the screw for each of the dogs one quarter turn clockwise to engage the spring mechanism.



ENGAGED

2. The subwoofer is now held in place, freeing up your hands so that you may continue to tighten the dogs safely.

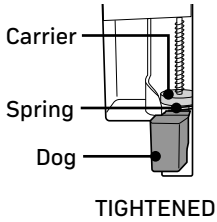


TIGHTENED

3. Tighten to send the carrier to retrieve the dog until you feel resistance, but do not over tighten. If using a drill, use a low-torque setting.

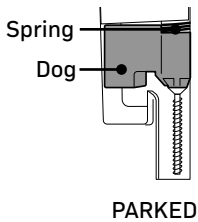


Disengage and Remove



⚠ IMPORTANT: The dogs must be engaged AND tightened before attempting to remove the subwoofer. The dogs will not retract into the parked position if not fully engaged and tightened.

1. Turn each dog screw in a counter-clockwise direction until the dog is in its original parked position.

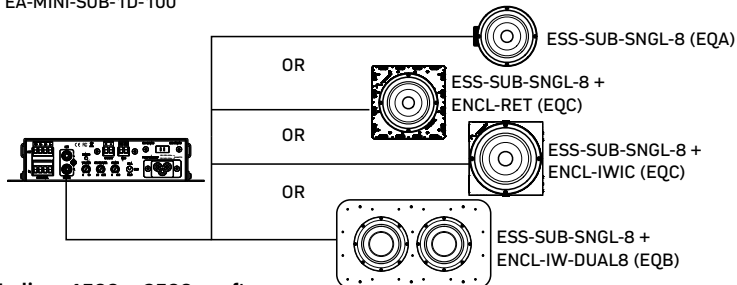


2. Once the dogs are disengaged, the subwoofer is easily removed from the ceiling or wall.

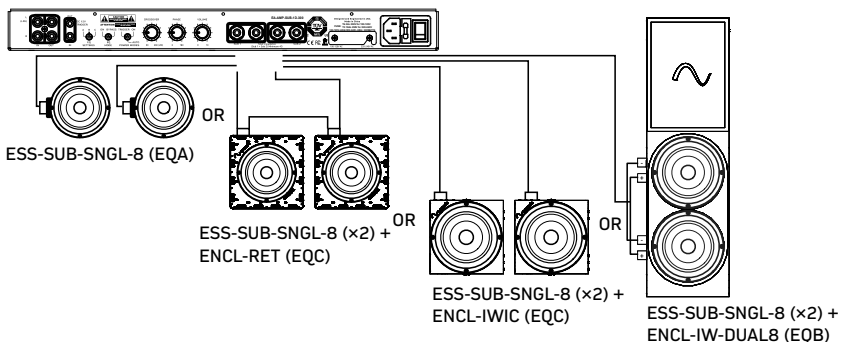
CONNECT

It is recommended to pair Episode Signature subwoofers and enclosures with Episode subwoofer amplifiers. The configuration, number of subwoofers, and size of the room presents several amplifier options from which to choose.

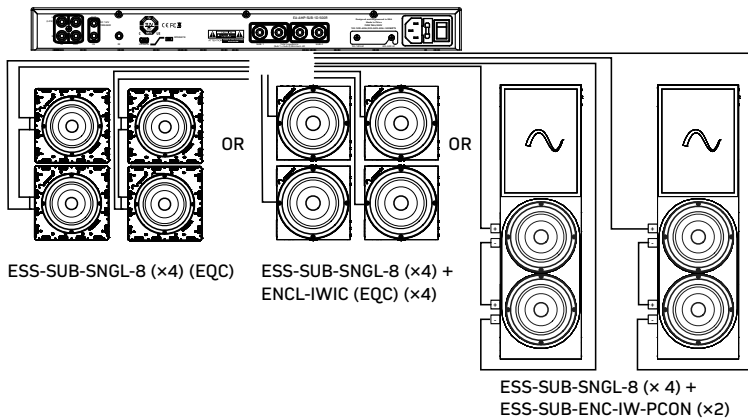
SMALL 1500 cu. ft. or Less EA-MINI-SUB-1D-100



Medium 1500 – 2500 cu. ft. EA-AMPSUB-1D-300



Large 2500 cu. ft. or More EA-AMP-SUB-1D-500





FINE TUNE

To fine tune the system, leverage the rear panel of the subwoofer amplifier. EQ settings should be adjusted based on the size of the room and the size of the enclosure. Refer to the above sections for ideal EQ setting for each configuration. Crossover, phase and volume should also be adjusted to optimize performance of the system.

SPECIFICATIONS

Product	ESS-SUB-SNGL-8
Connector Type	Gold-Plated Push Terminals
Frequency Response	30Hz - 300Hz
Nominal Impedance	8 ohms
Power Handling	150 W (RMS)/200W (Dynamic)
Sensitivity	85 dB
Speaker Grille	Steel Micro-Perf Mesh / White / low profile thin bezel
Woofers	8" Mica loaded Polypropylene Cone, ribbed rubber (NBR) surround suspension.
Dimensions Finished Diameter with Grille	11"
Mounting Depth	3 7/8"
Cutout Diameter	9.7"
Weight	6.5 lbs/ 2.96 kgs



Optional Accessories:	Product Item Number:	Notes:
Optional Pre-Construction Brackets	ES-ESS-BRKT-IC-8	
Optional Grille Kits	ES-ESS-GRLRND-IC-8-B	Round / thin bezel grille / Black
	ES-ESS-GRLSQ-IC-8	Square (adapter plate included) / thin bezel grille / White
	ES-ESS-GRLSQ-IC-8-B	Square (adapter plate included) / thin bezel grille / Black
	ES-ESS-GRLXRND-IC-8	Round / Bezel-less grille / White
	ES-ESS-GRLXRND-IC-8-B	Round / Bezel-less grille / Black
	ES-ESS-GLXSQ-IC-8	Square (adapter plate included) / Bezel-less grille / White
	ES-ESS-GLXSQ-IC-8-B	Square (adapter plate included) / Bezel-less grille / Black
Optional Enclosures	ESS-SUB-ENC-RET-SGL-8	Enclosure - Retrofit - minimum standard stud construction 2" x 4" - Single 8" Subwoofer installation
	ESS-SUB-ENC-IWIC-PCO	Enclosure - Pre-Construction - minimum standard stud construction 2" x 6" - Single 8" Subwoofer installation
	ESS-SUB-ENC-IW-PCON	Enclosure - Pre-Construction - minimum standard stud construction 2" x 4" - Single or Dual 8" Subwoofer installation



Product	ESS-SUB-ENC-RET-SGL-8	ESS-SUB-ENC-IWIC-PCO	ESS-SUB-ENC-IW-PCON
Connector Type	Gold-Plated Push Terminals	Gold-Plated Push Terminals	Gold-Plated Push Terminals
Frequency Response	Down to 22 Hz	Down to 20 Hz	Down to 19 Hz
Speaker Grille	Steel Micro-Perf Mesh / White / low profile thin bezel Included	Uses grille from ESS-SUB-SNGL-8 or optional ESS grilles	Uses grille from ESS-SUB-SNGL-8 or optional ESS-GRL-DSUB8-PCO-WT and ESS-GRL-DSUB8-PCO-BLK for dual retrofit subwoofer installations.
	Optional ESS_GRL-DSUB8-RET-WT and ESS-GRL-DSUB8-RET-BLK for dual retrofit subwoofer installations.		
Enclosure Material Wall Thickness	5/8"	5/8"	5/8"
Internal Air Volume (Cu. Inches)	290	500	1050
Dimensions Finished Diameter with Grille	14" x 14" x 4.25"	12.8" x 12.8" x 5.4"	43.4" x 12.8" x 3.3"
Mounting Depth	3 7/8	5 1/8	3 1/2
Cutout Diameter	12" x 12"	9.7"	9.7"
Weight	10.4 lbs/ 4.71 kgs	7.9 lbs/3.6 kgs	



WARRANTY

Limited Lifetime Warranty

Episode® speakers have a Limited Lifetime Warranty. This warranty includes parts and labor repairs on all components found to be defective in material or workmanship under normal conditions of use. This warranty will not apply to products that have been abused, modified, or disassembled. Products to be repaired under this warranty must be returned to SnapAV or a designated service center with prior notification and an assigned Return Authorization number (RA).

CONTACTING TECHNICAL SUPPORT

866.838.5052

support@episodeaudio.com



© 2019 Episode®
Rev: 240217-1130