

UEBP4 - UEBP7

PARAPET SUPPORT WITH QUICK CONNECTORS



DESCRIPTION

Support for Esprit Compact PTZ, for railing assembly with quick connectors.

TECHNICAL DATA

MECHANICAL

Bracket for Esprit Compact PTZ

Aluminium pressure casting construction

Dimensions: 129x53x180mm (5x2x7in)

Unit weight: 0.65kg (1.4lb)

PART NUMBER

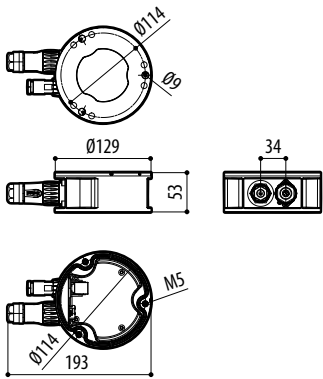
UEBP4AA	Parapet bracket with quick connectors RJ45 (Ethernet and PoE) + 4 poles with screw terminal (power supply and I/O) for Esprit Compact, colour grey-white (RAL9002)
UEBP7AA	Parapet bracket with quick connectors RJ45 (Ethernet and PoE) + 7 poles to weld (power supply and I/O) for Esprit Compact, colour grey-white (RAL9002)

PACKAGE

Model Number	Weight	Dimensions (WxHxL)
UEBP4	0.85kg (1,87lb)	18x20x7cm (7x7.9x2.8in) -
UEBP7	0.85kg (1,87lb)	18x20x7cm (7x7.9x2.8in) -

TECHNICAL DRAWINGS

The indicated measurements are expressed in millimetres.



UEBP4 - UEBP7

SUPPORT

Learn more and find additional documentation at pelco.com or email support@pelco.com for specific product support.



Jun 2024 || Rev 1

© 2024, Motorola Solutions, Inc. All rights reserved. MOTOROLA, MOTO, MOTOROLA SOLUTIONS, and the Stylized M Logo are trademarks or registered trademarks of Motorola Trademark Holdings, LLC and are used under license. Pelco, the Pelco logo, and other trademarks associated with Pelco products referred to in this publication are trademarks of Pelco, Inc. or its affiliates. All other product names and services are the property of their respective companies. Product specifications and availability are subject to change without notice.