

VISIX VX-WM-BW19

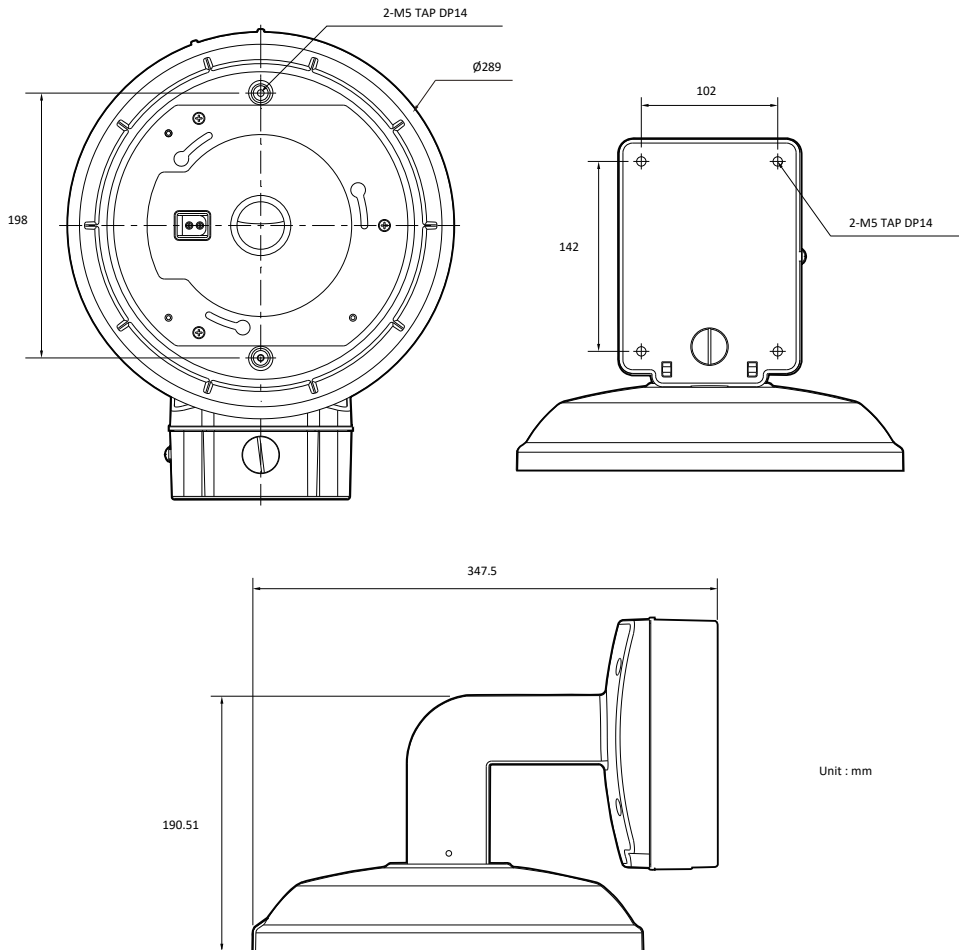
JUNCTION WALL MOUNT

MOUNT SPECIFICATIONS

Spec	Description
Material	Aluminum-Die Casting
Color	White
Dimensions	289mm (W) x : 347.5mm (D) x 247.5mm (H)
Weight	3.5kg
Compatible Cameras	VX-20M-SURROUND-OD-RIAW



DIMENSIONAL DRAWING



Unit : mm