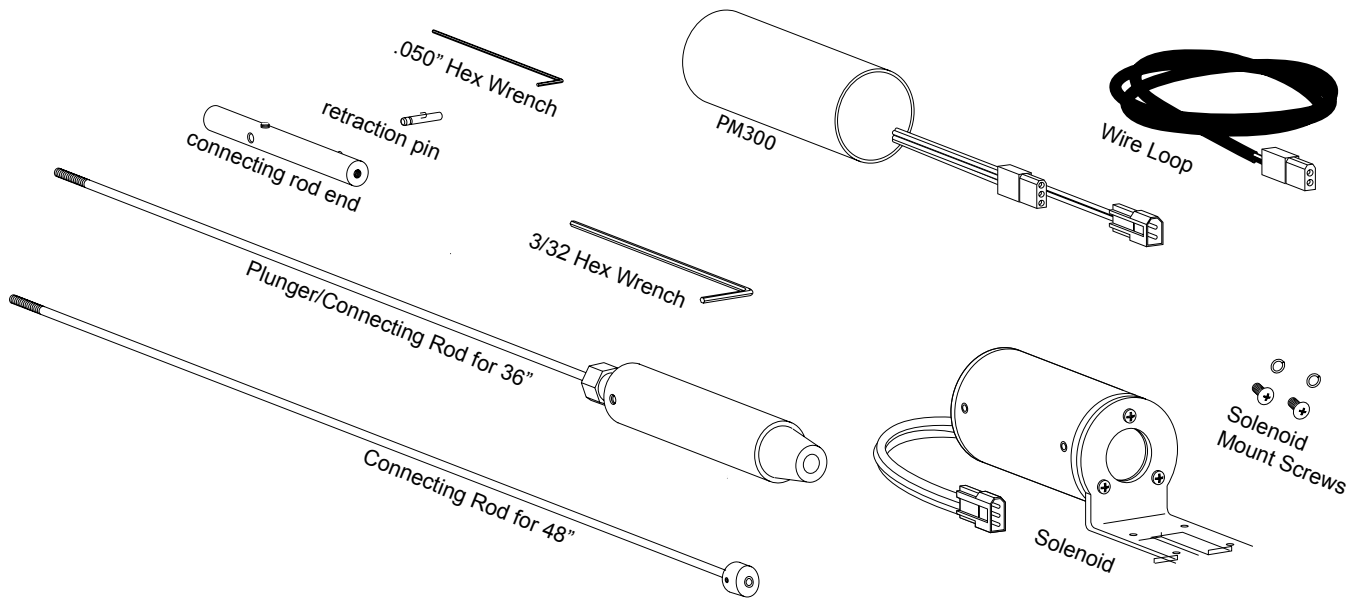




VLP-UL-KIT

INSTALLATION INSTRUCTIONS

The VLP-UL-KIT for 36" or 48" is a field installable solenoid latch pullback for the Von Duprin 33/35 & 98/99 series exit devices.



Tools Required

- Cordless Drill or Phillips Screwdriver

Installation Video



Click or Scan

TECHNICAL INFORMATION

SPECIFICATIONS

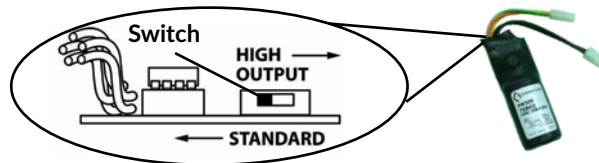
- Wires: Input to PM300 non-polarized Black (+)(-)
- Operating Voltage Range: 22-30 VDC
- Coil Resistance - Primary Coil: 2 ohms; Holding Coil : 125 ohm
- Output from PM300: Yellow=Pull Coil; Orange= Hold Coil; Green=Common

Standard Mode

- Fuse: Glass 3.5 - 5A, Resettable 1A trip
- Relay: 5A or greater

High Output Mode

- Fuse: Resettable 2A trip
- Relay: 10A or greater



Scan me



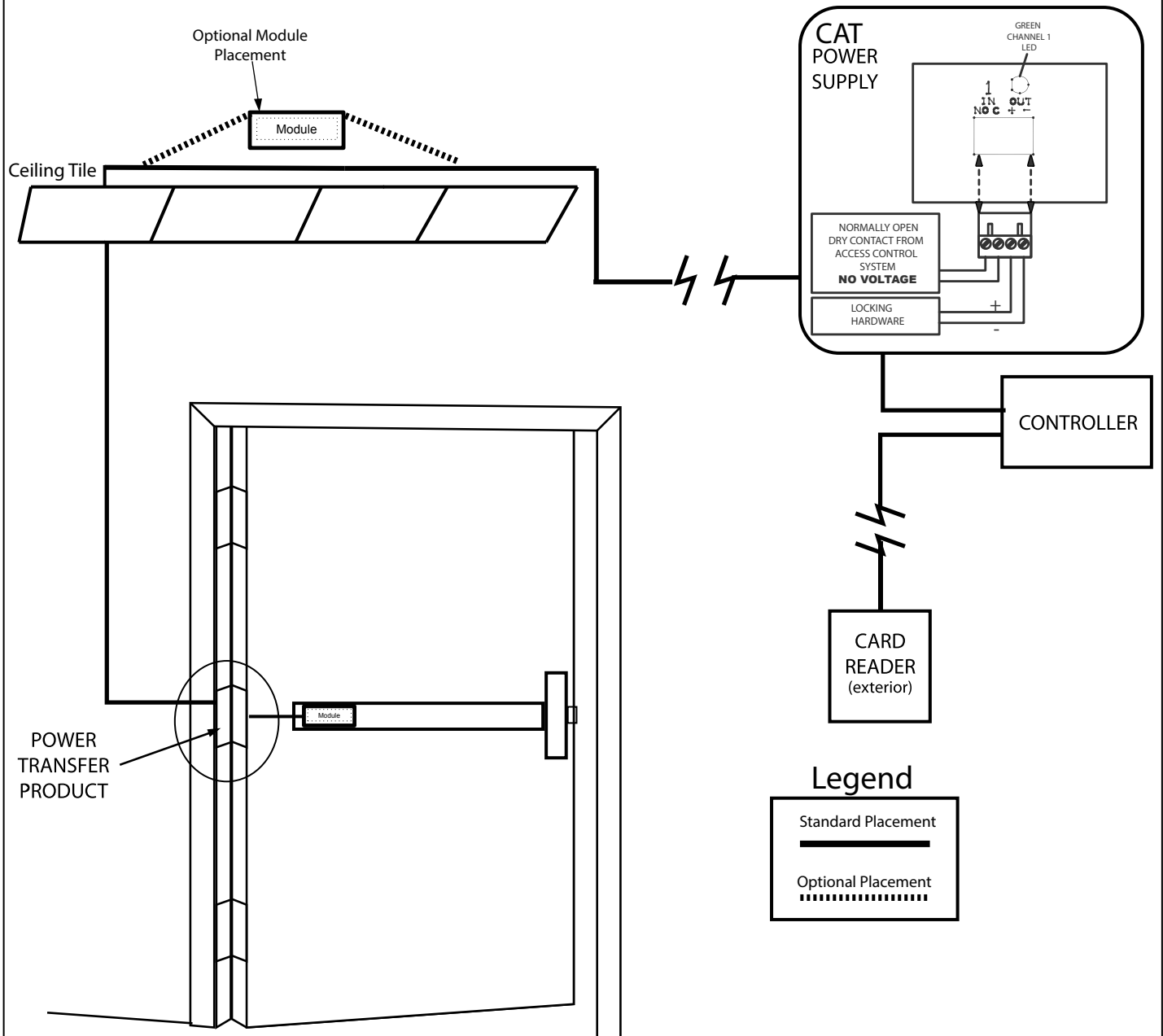
[PM300 Compatibility Chart](#)

TROUBLESHOOTING & DIAGNOSTICS

SYMPTOM	POSSIBLE CAUSE	SOLUTION
Solenoid pulls back but releases immediately	Solenoid plunger not seating correctly	<ul style="list-style-type: none"> - Check plunger rod adjustment. - Check vertical rod adjustment. - Make sure the plunger set screw has been installed correctly.
Solenoid pulls back and holds, but does not retract latch far enough	Plunger rod out of adjustment	Check plunger rod adjustment
Solenoid has excess delay time and/or drop out.	Wire run exceeding the maximum recommended distance	Locate power supply within the distances specified

ELECTRIFIED EXIT DEVICE

Installation Example



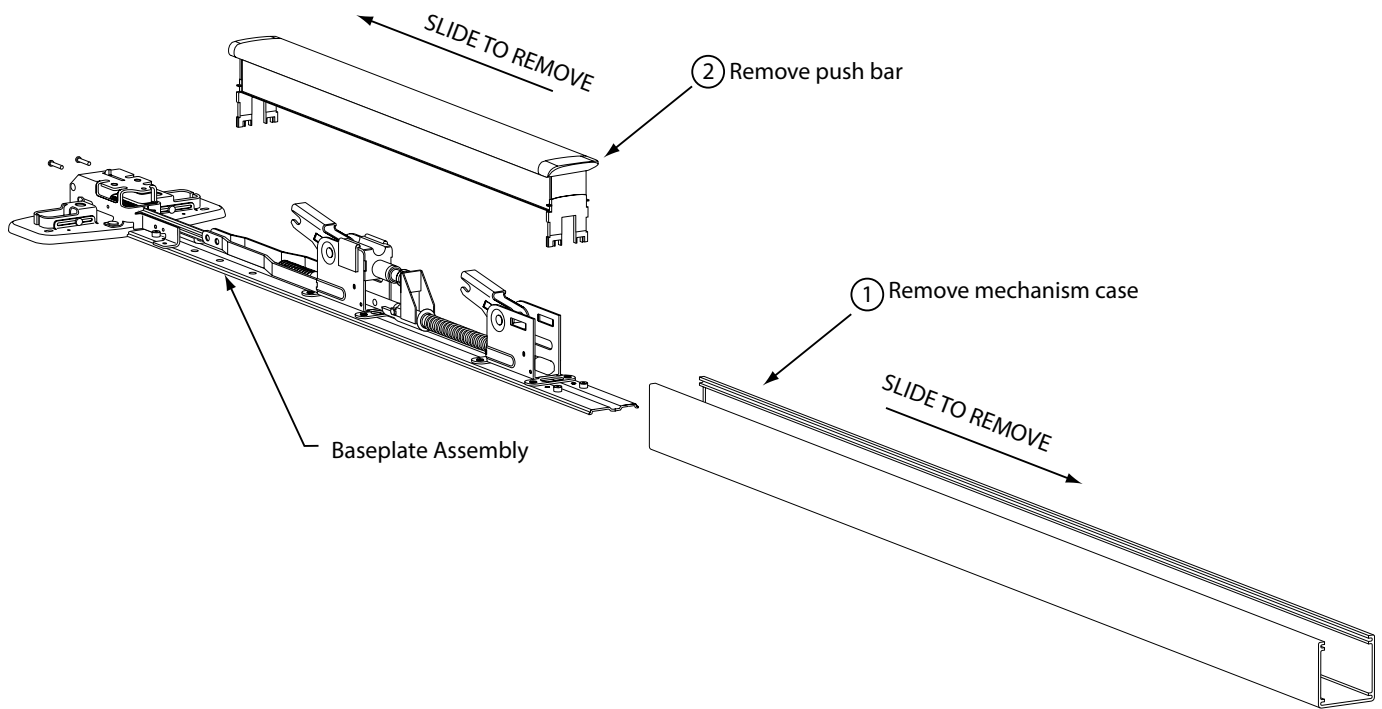
RECOMMEND POWER SUPPLIES:

All Command Access exit devices & field installable kits have been thoroughly cycle tested with Command Access power supplies at our factory.

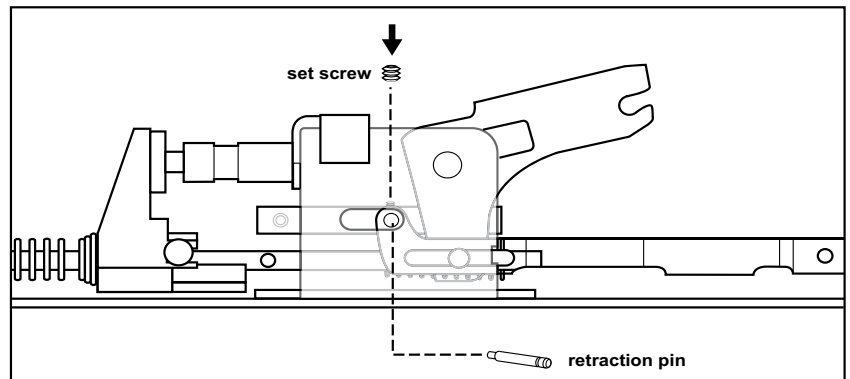
- PS210
- PS220/220B
- PS440B
- PS480B
- PS1
- PS2/2B
- PS5-4
- PS5-6



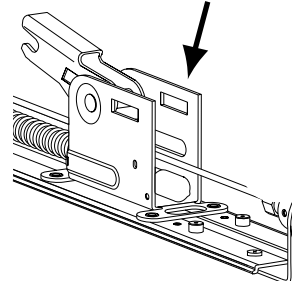
For more information [click here](#) or go to our website

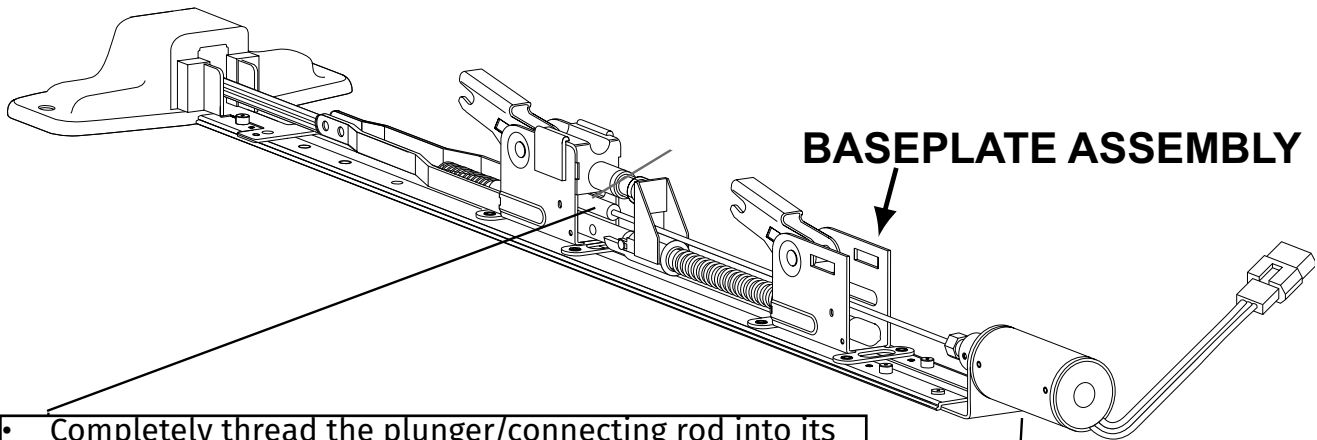


- Install cylindrical connecting rod end into the lock stile activating bracket by inserting the retraction pin and setting the 1/16" hex set screw.



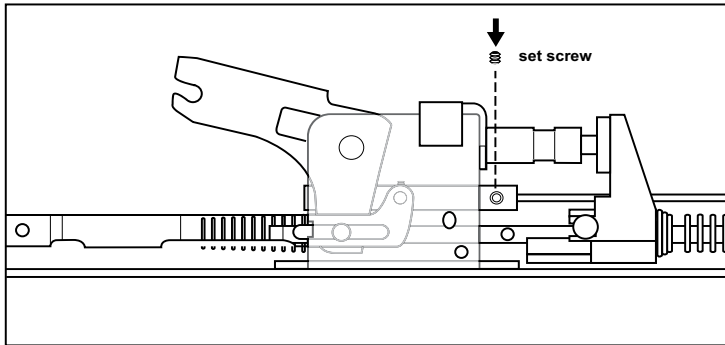
BASEPLATE ASSEMBLY





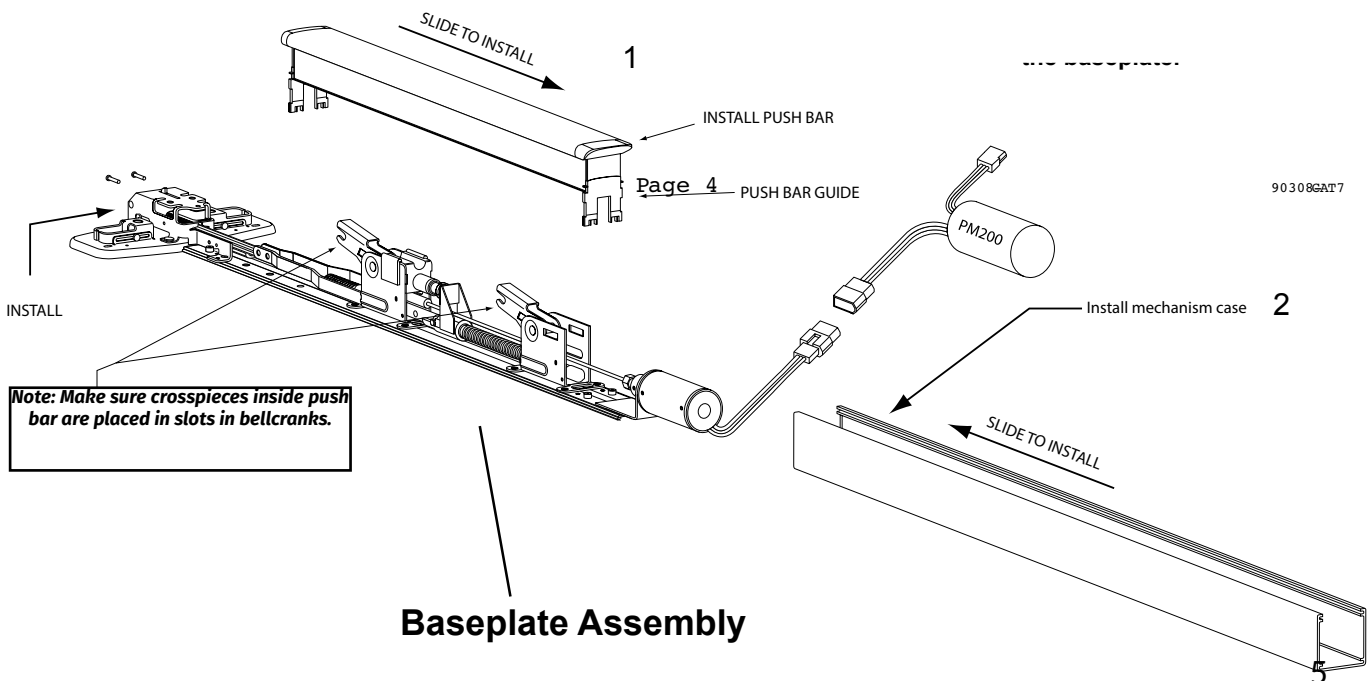
BASEPLATE ASSEMBLY

- Completely thread the plunger/connecting rod into its cylindrical connecting rod end by finishing it through the shock damper catch and setting the 3/32' hex screw.

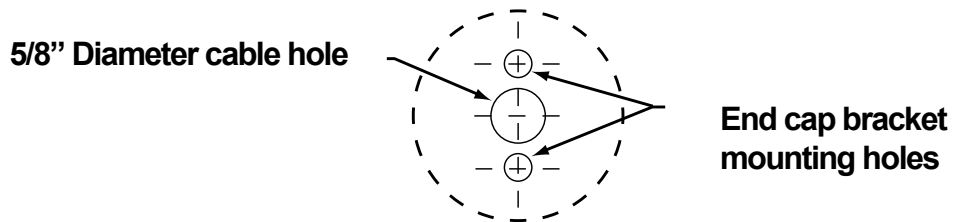


- Install the solenoid by inserting the plunger into the solenoid housing and installing the two solenoid attachment screws (w/ lock washers) through the last two holes on the baseplate.

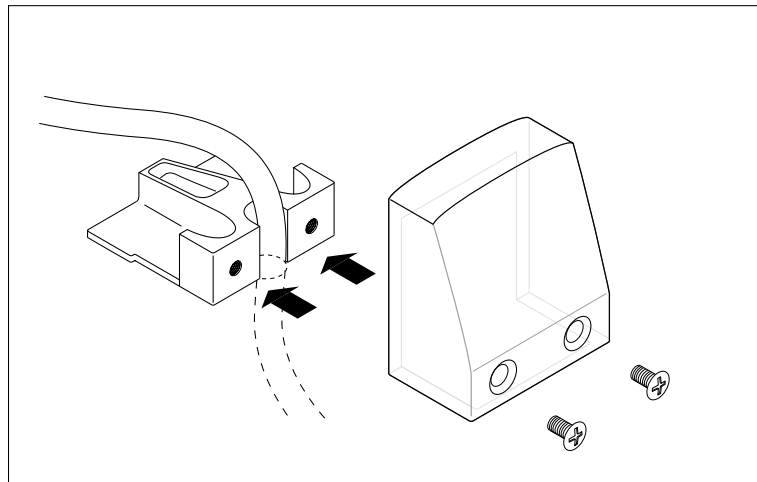
- Reassemble device. Place the PM300 in the area between the solenoid and the end cap.



- Drill solenoid cable hole in door between end cap bracket mounting holes. Leave off dogging cover and end cap until wires are routed.

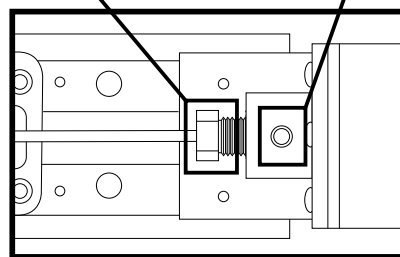


7



Adjustment Bolt (3/8")

Set screw (3/32" Allen)



For plunger rod adjust:

1. Release set screw
2. Turn adjustment bolt clockwise to reduce slack, and counter-clockwise to increase slack
3. Reset set screw

WARNING: Failure to reset set screw can result in irreversible solenoid damage.

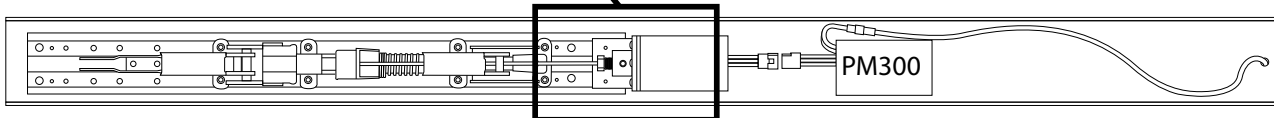


diagram A