

2020
Product Catalog





Exit Devices

3690 SERIES	– Concealed Vertical Rod Exit Device	1
FL3690 SERIES	– Impact Rated Concealed Vertical Rod Exit Device.....	2
3790 SERIES	– Rim Latching Exit Device	3
3190 SERIES	– Recess Mounted Concealed Vertical Rod Exit Device	4
8660 SERIES	– Inset Bar Concealed Vertical Rod Exit Device	5
8760 SERIES	– Inset Bar Rim Latching Exit Device	6
8860 SERIES	– Inset Bar Mortise Locking Exit Device	7

Accessories

MEL3000-1	– Electric Latch Retraction Retrofit Kit.....	8
PSMEL2000	– 1 Amp Power Supply (for 2 Doors).....	9
PSMEL1500	– 1 Amp Power Supply (for 1 Door)	10
ACCESS8	– 8 Door Access Control System	11
ACCESS8 ACC	– 8 Door Access Control System Accessories.....	12
QC-CAB	– Quick Cable Connectors	13
L3 SERIES	– Lever Trim	14
RM370	– Security Mullion	15
KRM370	– Keyed Removable Mullion.....	16
SM500	– Surface Mounted Rim Electric Strike.....	17
EPT3100	– EPT Concealed Rigid Power Transfer	18
EPT300	– EPT Concealed Power Transfer.....	19
EMT300	– EMT Surface Mount Power Transfer.....	19
AL36	– Alarm Kit	20
SW300-2CA	– Bracket Mounted Signal Switch.....	21
CD3000	– Cylinder Dogging Kit.....	22

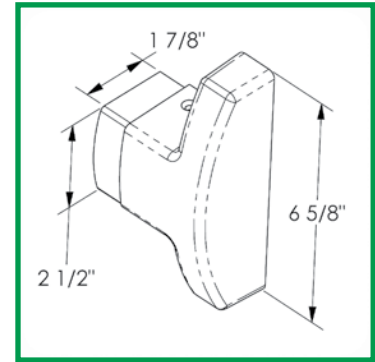
Cylinders Hinges

841	– Rim Type Key Cylinder	23
9052-T	– Thumb Turn Rim Type Key Cylinder.....	23
M100	– Mortise Type Key Cylinder.....	23
FC110	– Fully Concealed Continuous Hinges	24
FC111	– Fully Concealed Continuous Hinges (1/8" inset).....	24
FC240	– Fully Concealed Continuous Hinges (3/32" inset).....	25
FC530	– Half Surface Continuous Hinges	25
FC570	– Half Surface Continuous Hinges	26
WARRANTY	– Warranty & Frequently Asked Questions	27

CONCEALED VERTICAL ROD EXIT DEVICE

CVR

3690 SERIES



INSTALLATION/TECH SPECS

Non-Handed;
Rotational Top Strike Adjustment;
1/2" Bottom Latch Bolt Throw



PART NUMBERING

A/36/B/C-D/E

SAMPLE NUMBER

MEL369236-CL96

OPTIONS

(A) ACCESSORIES

MEL = Motorized Electric
Latch Retraction

SW = Signal Switch

CD = Interior Cylinder
Dogging

AL = Alarm

CDAL = Alarm Function with
Cylinder Off/On

(B) FUNCTION

90 = Exit Only

91 = With 1" Round Offset
Pull (10" Centers)

92 = Prepped for Ext.
Key Cylinder

93 = Prepped for Ext.
Key Cylinder with
Cylinder Included

(C) SIZE

30 = 30"

36 = 36"

42 = 42"

48 = 48"

XX = Special

(D) FINISH

CL = Clear

BR = Dark Bronze

BL = Black

SP = Special

Note: End Caps are always
Black Enamel

(E) SPECIAL HEIGHT

XX = Specify height
(Max. 96" tall)
(For doors other
than 7 feet)

CODE/AGENCY LISTINGS

- Grade 1 listed under national standard ANSI/BHMA 156.3
- UL File #SA12590 for UL 305

APPLICATIONS

- Schools
- Convention Centers
- Office Buildings
- Churches
- Retail Spaces, Etc.

DOOR/ or OTHER SIZES

- 30" to 48" Standard
- Door Heights up to 9' Standard
- Custom Sizes Available
- Door Stile Widths as Narrow as 2"

CONDENSED SPECIFICATION

- Exit Device shall be First Choice series 3600 Concealed Vertical Rod.
- Designed for use on aluminum storefront doors only and not intended for wooden doors.
- Narrow Stile model utilizing low profile touch bar projecting 3" from face of door.
- Device shall use 3/8" steel vertical rods with steel latch bolts engaging stainless steel strikes to lock two points in the opening.

WARRANTY (See page 23 for complete warranty information)

DIMENSIONS

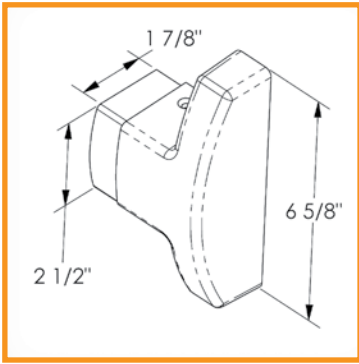
- 2 1/2" Push Bar Height
- 40 5/8" Centerline Height Typical
- Center Case Cover -
6 5/8" Tall by 1 1/4" Wide

PRODUCT MATERIALS

- Anodized Aluminum Push Bar and Channel
- Die Cast Aluminum End Caps
- Stainless Steel Strikes
- Steel Latch Bolts
- 3/8" Steel Vertical Rods

SHIPPING

- FOB Our Dock; Shipping Weight Standard 36" with Standard Option – 11.4#



FL3690 SERIES

CVR

CONCEALED VERTICAL
ROD EXIT DEVICE

The FL Series is approved for hurricane impact when used with an appropriately tested and rated door system.*

INSTALLATION/TECH SPECS

Non-Handed;
Rotational Top Strike Adjustment;
1/2" Bottom Latch Bolt Throw



CODE/AGENCY LISTINGS

- Grade 1 listed under national standard ANSI/BHMA 156.3
- UL File #SA12590 for UL 305

APPLICATIONS

- Schools
- Convention Centers
- Office Buildings
- Churches
- Retail Spaces, Etc.

DOOR/ or OTHER SIZES

- 30" to 48" Standard
- Door Heights up to 9' Standard
- Custom Sizes Available
- Door Stile Widths as Narrow as 2"

CONDENSED SPECIFICATION

- Exit Device shall be First Choice series 3600 Concealed Vertical Rod.
- Designed for use on aluminum storefront doors only and not intended for wooden doors.
- Narrow Stile model utilizing low profile touch bar projecting 3" from face of door.
- Device shall use 3/8" steel vertical rods with steel latch bolts engaging stainless steel strikes to lock two points in the opening.

WARRANTY (See page 23 for complete warranty information)

** Manufactured door must meet impact testing requirements. Contact your door manufacturer.*

DIMENSIONS

- 2 1/2" Push Bar Height
- 41 5/16" Centerline Height Typical
- Center Case Cover - 6 5/8" Tall by 1 1/4" Wide

PRODUCT MATERIALS

- Anodized Aluminum Push Bar and Channel
- Die Cast Aluminum End Caps
- Stainless Steel Strikes
- Steel Latch Bolts
- 3/8" Steel Vertical Rods

SHIPPING

- FOB Our Dock; Shipping Weight Standard 36" with Standard Option - 11.4#

PART NUMBERING

A/FL36/B/C-D/E

SAMPLE NUMBER

MELFL369236-CL96

OPTIONS

(A) ACCESSORIES

- MEL** = Motorized Electric Latch Retraction
- SW** = Signal Switch
- CD** = Interior Cylinder Dogging

(B) FUNCTION

- 90** = Exit Only
- 91** = With 1" Round Offset Pull (10" Centers)
- 92** = Prepped for Ext. Key Cylinder
- 93** = Prepped for Ext. Key Cylinder with Cylinder Included

(C) SIZE

- 30** = 30"
- 36** = 36"
- 42** = 42"
- 48** = 48"
- XX** = Special

(D) FINISH

- CL** = Clear
 - BR** = Dark Bronze
 - BL** = Black
 - SP** = Special
- Note: End Caps are always Black Enamel

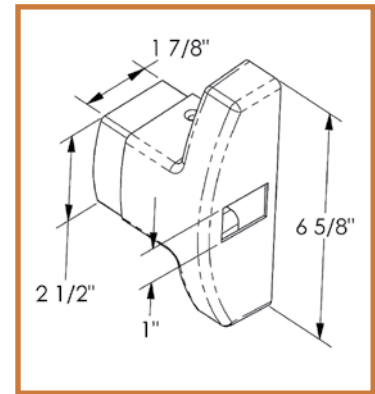
(E) SPECIAL HEIGHT

- XX** = Specify height (Max. 96" tall) (For doors other than 7 feet)

RIM LATCH
EXIT DEVICE

RIM

3790 SERIES



INSTALLATION/TECH SPECS

Non-Handed;
1" Steel Latch Bolt with 1/2" Throw



PART NUMBERING

A/37/B/C-D

SAMPLE NUMBER

MEL379236-CL

OPTIONS

(A) ACCESSORIES

- MEL** = Motorized Electric Latch Retraction
- SW** = Signal Switch
- CD** = Interior Cylinder Dogging
- AL** = Alarm

(C) SIZE

- 30** = 30"
- 36** = 36"
- 42** = 42"
- 48** = 48"
- XX** = Special

(B) FUNCTION

- 90** = Exit Only
- 91** = With 1" Round Offset Pull (10" Centers)
- 92** = Prepped for Ext. Key Cylinder
- 93** = Prepped for Ext. Key Cylinder with Cylinder Included

(D) FINISH

- CL** = Clear
 - BR** = Dark Bronze
 - BL** = Black
 - SP** = Special
- Note: End Caps are always Black Enamel

CODE/AGENCY LISTINGS

- Grade 1 listed under national standard ANSI/BHMA 156.3
- UL File #SA12590 for UL 305

APPLICATIONS

- Schools
- Malls
- Government Facilities
- Churches
- Retail Spaces, Etc.

DOOR/ or OTHER SIZES

- 30" to 48" Standard
- Custom Sizes Available
- Door Stiles Widths as Narrow as 2"

CONDENSED SPECIFICATION

- The 3700 Series Exit Devices shall be designed to be used on aluminum doors only and are not intended for wooden doors.
- Exit device shall be First Choice Series 3700 Rim Latching narrow stile model utilizing low profile touch bar projecting 3" from face of the door.
- Device shall use 1" steel latching bolt (1/2" throw) engaging a stainless steel roller strike for locking.
- 3700 Series Devices can be resized in the field.
(For assistance call 800-793-4544)

WARRANTY (See page 23 for complete warranty information)

DIMENSIONS

- 2 1/2" Push Bar Height
- 41 5/16" Centerline Height Typical
- Center Case Cover - 6 5/8" Tall by 1 1/4" Wide

PRODUCT MATERIALS

- Anodized Aluminum Push Bar and Channel
- Die Cast Aluminum End Caps
- Stainless Steel Strikes
- 1" Steel Latch Bolt with 1/2" Throw

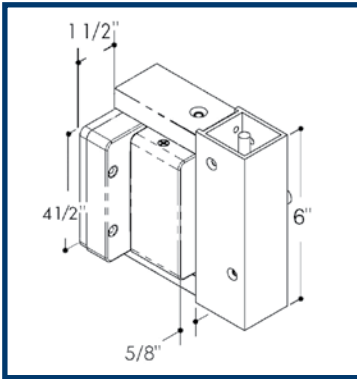
SHIPPING

- FOB Our Dock; Shipping Weight Standard 36" with Standard Option - 8.9#

3190 SERIES

**CVR
Exit**

RECESS MOUNTED
CVR EXIT DEVICE



INSTALLATION/TECH SPECS

Non-Handed;
Rotational Top Strike Adjustment;
1/2" Bottom Latch Bolt Throw



CODE/AGENCY LISTINGS

- Grade 1 listed under national standard ANSI/BHMA 156.3
- UL File #SA12590 for UL 305

APPLICATIONS

- Schools
- Convention Centers
- Office Buildings
- Churches
- Retail Spaces, Etc.

DOOR/ or OTHER SIZES

- 30" to 48" Standard
- Door Heights up to 9' Standard
- Custom Sizes Available
- Door Stiles Widths as Narrow as 2"

CONDENSED SPECIFICATION

- Exit device shall be First Choice Building Products Series 3100 concealed Vertical rod narrow stile model utilizing a low profile touch bar projecting less than 1 1/2" from face of the door.
- The device shall use 3/8" steel vertical rods operating hardened steel latch rotational adjustment for proper door alignment.
- The bottom latch will be a spring powered to ensure engagement with the threshold.
- The device push bar and base shall be 6063 hardened aluminum in anodized finishes. The device shall be capable of operation by external key cylinder with night latch or hold back settings.
- The device shall be capable of disengagement by a single point, quarter turn dogging.

DIMENSIONS

- 4 1/2" Push Bar Height
- 1 1/2" Projection
- 41 3/32" Centerline Height Typical

PRODUCT MATERIALS

- Anodized Aluminum Push Bar and Channel
- Die Cast Aluminum End Caps
- 3/8" Steel Vertical Rods
- Hardened Steel Latch Bolts

SHIPPING

- FOB Our Dock; Shipping Weight Standard 36" with Standard Option – 15#

PART NUMBERING

A/31/B/C-D-E

SAMPLE NUMBER

MEL319236-CL-96

OPTIONS

(A) ACCESSORIES

- MEL** = Motorized Electric Latch Retraction
- SW** = Signal Switch
- D** = Dummy Device (Inactive)

(D) FINISH

- CL** = Clear
 - BR** = Dark Bronze
 - BL** = Black
 - SP** = Special
- Note: End Caps are always Black Enamel

(B) FUNCTION

- 90** = Exit Only
- 92** = Prepped for Ext. Key Cylinder
- 93** = Prepped for Ext. Key Cylinder with Cylinder Included

(E) SPECIAL HEIGHT

- XX** = Specify height (Max. 96" tall)
(For doors other than 7 feet)

SPECIAL LATCHES

- H** = Hex bottom
- 3690P** = Pullman style bottom
- P3690** = Pullman style top

(C) SIZE

- 24** = DO width 36" – 48"
Muntin length = specify door opening
Filler bar length (12" standard) = specify length
- XX** = Special width consult factory

INACTIVE DOORS

Muntin material up to 48" clear or dark bronze
Push bar/filler bar material up to 48" long

WARRANTY (See page 23 for complete warranty information)

First Choice
Building Products

555 High Grove Blvd., Glendale Heights, IL 60139
P: (800) 793-4544 • www.FCBP.com • Sales@FCBP.com

02/21 Rev1

4

INSET PUSH BAR
CONCEALED VERTICAL
ROD EXIT DEVICE

**CVR
Exit**

**8660
SERIES**

INSTALLATION/TECH SPECS

Fully concealed fasteners
Device handing is field reversible

**48" width is field
sizeable down to 30"**

For widths less than 36" Consult Factory



PART NUMBERING

A/86/B/C-D-E

SAMPLE NUMBER

MEL866036-CL-96

OPTIONS

(A) MISC. OPTIONS

MEL = Motorized Electric
Latch Retraction
AL = Alarm Board
SW = Signal Switch
CD = Cylinder Dogging

(C) DOOR WIDTH

36 = 36" (standard)
48 = 48"
XX = Special Width
(consult factory)

(B) FUNCTIONS

60 = Exit Only
61 = With 1" Round Offset
Pull (10" Centers)
62 = Prepped for Ext.
Key Cylinder
63 = Prepped for Ext.
Key Cylinder with
Cylinder Included

(D) FINISH

CL = Clear
BR = Dark Bronze
BL = Black

(E) SPECIAL HEIGHT

XX = (consult factory)

CODE/AGENCY LISTINGS

- Grade 1 listed under national standard ANSI/BHMA 156.3
- UL File #SA12590 for UL 305

APPLICATIONS

Aluminum doors in high traffic areas such as:

- High Schools
- Theaters
- Post Offices
- Churches
- Retail Spaces, Etc.

DOOR/ or OTHER SIZES

- 30" to 48" Standard;
Field Sizable as Narrow as 30"
- Custom Sizes Available
- Suitable for Narrow, Medium, and Wide Stile Doors

CONDENSED SPECIFICATION

- Exit Device shall be First Choice Series 8860 Concealed Vertical Rod Exit Device.
- Model utilizing low profile touchbar projecting 3" from the face of door.
- Device shall be field resizeable and reversible.

DIMENSIONS

- 2 1/2" Push Bar Height
- 1 1/4" Standard Door Thickness

PRODUCT MATERIALS

- Anodized Aluminum Push Bar and Channel
- Die Cast Aluminum End Caps

SHIPPING

- FOB Our Dock; Shipping Weight with Standard Options – 10#

WARRANTY (See page 23 for complete warranty information)

8760 SERIES

**RIM
Exit**

INSET PUSH BAR
RIM LATCHING
EXIT DEVICE

**48" width is field
sizeable down to 30"**

For widths less than 36" Consult Factory

INSTALLATION/TECH SPECS

Fully concealed fasteners
Device handing is field reversible

CODE/AGENCY LISTINGS

- Grade 1 listed under national standard ANSI/BHMA 156.3
- UL File #SA12590 for UL 305

APPLICATIONS

Aluminum doors in high traffic areas such as:

- High Schools
- Theaters
- Post Offices
- Churches
- Retail Spaces, Etc.

DOOR/ or OTHER SIZES

- 30" to 48" Standard; Field Sizeable as Narrow as 30"
- Custom Sizes Available
- Suitable for Narrow, Medium, and Wide Stile Doors

CONDENSED SPECIFICATION

- Exit Device shall be First Choice Series 8760 Rim Latching Exit Device.
- Model utilizing low profile touchbar projecting 3" from the face of door.
- Device shall field resizeable and reversible.

DIMENSIONS

- 2 1/2" Push Bar Height
- 1 1/4" Standard Door Thickness
- 1" Steel Latch Bolt (1/2" Throw)

PRODUCT MATERIALS

- Anodized Aluminum Push Bar and Channel
- Die Cast Aluminum End Caps

SHIPPING

- FOB Our Dock; Shipping Weight with Standard Options – 10#

PART NUMBERING

A/87/B/C-D

SAMPLE NUMBER

MELDL876036-CL

OPTIONS

(A) MISC. OPTIONS

- MEL** = Motorized Electric Latch Retraction
- AL** = Alarm Board
- SW** = Signal Switch
- CD** = Cylinder Dogging
- DL** = Dead Latch

(C) DOOR WIDTH

- 36** = 36" (standard)
- 48** = 48"
- XX** = Special Width (consult factory)

(B) FUNCTIONS

- 60** = Exit Only
- 61** = With 1" Round Offset Pull (10" Centers)
- 62** = Prepped for Ext. Key Cylinder
- 63** = Prepped for Ext. Key Cylinder with Cylinder Included

(D) FINISH

- CL** = Clear
- BR** = Dark Bronze
- BL** = Black

WARRANTY (See page 23 for complete warranty information)

First Choice
Building Products

555 High Grove Blvd., Glendale Heights, IL 60139
P: (800) 793-4544 • www.FCBP.com • Sales@FCBP.com

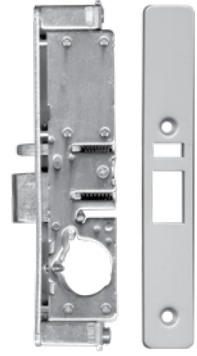
02/21 Rev1

6

MORTISE LOCKING EXIT DEVICE

MORTISE

8860 SERIES



INSTALLATION/TECH SPECS

Fully concealed fasteners
Device handing is field reversible



PART NUMBERING

A/8860/B-C/D/E/F

SAMPLE NUMBER

MEL886036-CLR01S1

OPTIONS

(A) ACCESSORIES

MEL = Motorized Electric
Latch Retraction

(B) DOOR WIDTH

36 = 36 inches
42 = 42 inches
48 = 48 inches

(C) FINISH

CL = Clear
BR = Dark Bronze
BL = Black

(D) HAND

R = Right Hand
L = Left Hand

(E) BACKSET

01 = 3/32"
02 = 1-1/8"
03 = 1-1/2"

(F) STRIKE TYPE

S1 = 2" Standard
S2 = 3" Extended
S3 = 4" Tall Strike

CODE/AGENCY LISTINGS

- Grade 1 listed under national standard ANSI/BHMA 156.3
- UL File #SA12590 for UL 305

APPLICATIONS

- Aluminum doors in high traffic areas such as:
- High Schools
 - Theaters
 - Post Offices
 - Churches
 - Retail Spaces, Etc.

DOOR/ or OTHER SIZES

- 30" to 48" Standard;
Field Sizeable as Narrow as 30"
- Custom Sizes Available
- Suitable for Narrow, Medium, and Wide Stile Doors

CONDENSED SPECIFICATION

- Exit Device shall be First Choice Series 8860 Mortise Latching Exit Device.
- Model utilizing low profile touchbar projecting 3" from the face of door.
- Device shall use mortise deadlatching lockset.

WARRANTY (See page 23 for complete warranty information)

DIMENSIONS

- 2 1/2" Push Bar Height
- 1 1/4" Standard Door Thickness

PRODUCT MATERIALS

- Anodized Aluminum Push Bar and Channel
- Die Cast Aluminum End Caps
- Heavy Duty Steel Mortise Deadlatching Lockset in Multiple Backsets

SHIPPING

- FOB Our Dock; Shipping Weight with Standard Options – 10#

MEL3000-1 Retro Fit Kit SERIES

**CVR
or
RIM**

MOTORIZED
LATCH RETRACTION
RETRO FIT KIT



INSTALLATION/TECH SPECS

Preinstalled into any First Choice Building Products Series 3600 or 3700 Exit Device. Provides a low 24 volt/1 amp solution for providing electric latch retraction. Contains photo beam to monitor device location, ensuring the push bar is in the fully open position. Rated for continuous all day hold open to keep device in dogged position

APPLICATIONS

Areas requiring monitored access and/or security clearance such as:

- Schools
- Hospitals
- Nursing Homes
- Stock Rooms
- Office Buildings, etc.

DOOR/ or OTHER SIZES

- 30" up to 52"
- Door Heights up to 9'

CONDENSED SPECIFICATION

- The Exit Device shall be motorized by First Choice Building Products.
- Device shall be a First Choice Building Products Series MEL3000 motor driven exit device.
- The device shall contain a photo beam sensory array for monitoring that a push bar has been fully retracted.
- MEL3000 motor driven exit devices shall be rated for continuous duty to hold the exit device in the dogged and open position indefinitely.

PRODUCT MATERIALS

Internal motor made from aluminum and steel with heavy duty circuit board

COMPATIBLE POWER SUPPLIES

- PSMEL2000 = Powers 2 Devices
24 volt/1 amp
- PSMEL1500 = Powers 1 Device
24 volt/1 amp

PART NUMBERING

MEL3000-1

WARRANTY (See page 23 for complete warranty information)

12/24V – 1 AMP
POWER SUPPLY
FOR 2 DOORS

PSMEL2000 SERIES



DIMENSIONS

13"H x 12.5"W x 3.5"D



FCBP's NEW SMART SELF-DIAGNOSING POWER SUPPLY

Operates a pair of doors with two low current exit devices simultaneously or independently control two single door leaves

PART NUMBERING

PSMEL2000

NOTE: Wiring methods shall be in accordance with the National Electrical Code/NPFA 70/NFPA 72 ANSI, and with all local codes and authorities having jurisdiction. Product is intended for indoor use only.

PSMEL2000 SMART VISUAL INDICATORS

- **Output 1 & 2** = Red (ON) input LEDs indicate panic device status is energized (rapid blink/short or over current) (slow blink/open circuit)
- **FAI** = Green (ON) FACP Input Triggered (Alarm Condition)
- **Battery Trouble** = Red (ON) Battery Normal (slow blink/bad battery or no battery)
- **AC Trouble** = Green (ON) AC normal (slow blink/AC low or missing)

CONDENSED SPECIFICATION

- PSMEL2000 shall operate up to two (2) 24VDC panic hardware devices simultaneously
- Each lock output shall have an adjustable relock delay timer
- It shall control a pair of doors simultaneously or independently two doors
- Relay for each output to trigger external relays, ADA push plate switches, etc.
- Delayed follower relays shall control automatic door operators for doors that are always locked or for doors that are unlocked during the business day
- Two un-switched auxiliary voltage outputs shall provide/remove power to the lock outputs when activated
- A programmable FACP interface shall provide power/remove power to the lock outputs when activated
- Shall have LED status indicators monitor AC, FACP status & for lock output wiring supervision
- Intelligent logic shall provide protection against accidental shorting of lock outputs

CODE/AGENCY LISTINGS

- UL File for Access Control Systems Units (UL 294)
- CUL Listed – CSA Standard C22.2 No. 205-M983, Signal Equipments
- CSFM – California State Fire Marshal Approved

BATTERY BACKUP

- Built-in charger for sealed lead acid or gel type batteries
- Automatic switch over to stand-by battery when AC fails
- Maximum charge current .65 amps
- 4AA batteries will make emergency stand-by at least 30 minutes

INPUT

- Input 115VAC 60Hz, 2.5 amp or 230VAC, 50Hz, 1.5 amps
- Two (2) N.O. Trigger Inputs

OUTPUTS

- Two (2) 24 VDC individually controlled lock outputs rated @ 1 amp each. Load connected not to exceed 1 amp.
- One (1) 24VDC @ .08 amps filtered regulated auxiliary output. (Not affected by FACP trigger)
- One (1) 12 VDC @ .05 amp filtered regulated auxiliary output. (Not affected by FACP trigger)
Note: Total combined current for the 24VDC outputs may not exceed 1.75 amp.
- Two (2) follower N.O. outputs for controlling ADA actuators/accessories
- Two (2) momentary operator activation outputs
- Trouble output relay for indicating low/AC Voltage and battery trouble.

VISUAL INDICATORS

- Output 1 (On/Over/Open)
- Output 2 (On/Over/Open)
- FAI (On/Off)
- Battery (On/Off)
- AC Trouble (On/Low or Missing)
- AC Power (On/Off)

PSMEL1500 SERIES

12/24V – 1 AMP
POWER SUPPLY
FOR 1 DOOR

Operates one door
and one low current
exit device



DIMENSIONS

8.5"H x 7.5"W x 3.5"D

VISUAL INDICATORS

- Green AC Power LED indicates 115VAC present
- Red LED indicates presence of 24VDC

CODE/AGENCY LISTINGS

- UL File for Access Control Systems Units (UL 294)
- CUL Listed – CSA Standard C22.2 No. 205-M1983, Signal Equipments
- CSFM – California State Fire Marshal Approved

BATTERY BACKUP

- Built-in charger for sealed lead acid or gel type batteries
- Automatic switch over to stand-by battery when AC fails
- Maximum charge current .4 amps
- When 4AA batteries are used, capacity for emergency stand-by is at least 30 minutes

INPUT

- Input 115VAC 60Hz, 2.5 amp or 230VAC, 50Hz, 15 amps
- One (1) N.O. Trigger Inputs

OUTPUTS

- 12 VDC or 24VDC selectable outputs
- 1 amp supply current
- One (1) Fail-Safe (lock +) supplies power when unit is not being triggered
- One (1) Fail-Secure (strike +) supplies power when unit is being triggered
- (Com -) supplies negative power

CONDENSED SPECIFICATION

- PSMEL1500 shall operate up to one (1) 24VDC panic hardware device.
- In addition, an auxiliary power output shall provide power for accessory devices such as card readers, key-pads, REX PIRs, electronic timers, relays, etc.

PART NUMBERING

PSMEL1500

NOTE: Wiring methods shall be in accordance with the National Electrical Code/NPFA 70/NFPA 72 ANSI, and with all local codes and authorities having jurisdiction. Product is intended for indoor use only.

8 DOOR ACCESS CONTROL SYSTEM

Access8™

DOOR CONTROL SYSTEM



PART NUMBERING

FCHP1

This user friendly stand-alone plug'n'play touch screen interface makes it easy to enroll/remove proximity cards on one or multiple doors. Now it's simple to view audit trails, id's, create schedules, access levels, expiration dates, set vacations, overridden doors, set relocking intervals or even lock down/open all doors with a touch of a button.

FEATURES

- May be used as a stand-alone or can be integrated into existing systems.
- Audit trail enables monitoring activities on every access/attempt which can be archived by downloading onto one of four built-in USB ports.
- Quick Edit ID Mode allows easily adding/removing users (bulk or single) to the system using the state-of-the-art touch screen technology.
- Advanced Edit Mode makes it simple to add access levels, hourly schedules, 1st arrival, along with all other full service door control options.
- On board wiring diagrams via USB internal memory stick for Readers, RTE connections, Maglocks, Electric Strikes etc.
- Multiple units can be linked for control of more than 8 doors.
- WIFI compatibility enables out buildings to be controlled without hard wiring (see Weigand Bridge, page 12.)

APPLICATIONS

- For use with any electrified entry way. The **Access8** Door Access Control System is an affordable security solution for smaller venues such as:
 - Day Care Centers
 - Office Complexes
 - Schools
 - Senior Care Centers
 - Religious Facilities
 - Store Fronts, etc.



12 (twelve) FREE cards or fobs included with purchase of each Access8. Full color printing is included on cards and fobs.

Access8™

DOOR CONTROL SYSTEM

ACCESSORIES



HID KEY FOBS

PART NUMBER

FCHP-F-01

Key Fobs are available with the same options as the proximity cards.

HID PROXIMITY CARDS

PART NUMBER

FCHP-C320

Cards are factory programmed for HID, AWID, Farpointe and other popular bit structures. Numbering can include facility code and are typically standard 26 bit format but can be custom formatted.



PROXIMITY CARD READERS

PART NUMBER

FCHP-CR500
(Standard Stiles)

FCHP-CR300
(Narrow Stiles)

Readers are compatible with most low frequency proximity cards and tag (RFID) technologies and comply with Wiegand communication protocol.



KEY PAD CARD READERS

PART NUMBER

FCHP-KP1
(Standard Stiles)

AC-G44
(Narrow Stiles)

Serves as low frequency reader for standard cards, fobs and tags. Keypad also serves as a secure entry system for short term and long term access.



BLUETOOTH READERS

PART NUMBER

FCHP-BTR

Bluetooth reader supports Smartphone Mobile Access Credentials as well as HID proximity cards and fobs. Cost for each credentialed app for phones is not included.



WIEGAND BRIDGE

PART NUMBER

FCHP-WB100

Wiegand Bridge for out buildings that prove to be difficult and expensive to hardwire for electrical hardware. Transmits up to a mile away. Signal tested from inside a Ferradyne cage.

Provides a pre-wired, plug-in connector that simplifies linking power to electrified product.

QUICK CONNECT CABLE ASSEMBLIES

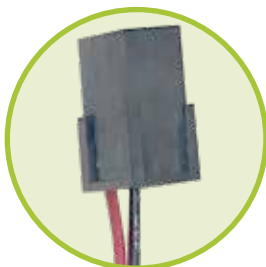
QC-CAB-001

22/12 Dual Cable
Connecting Cable for Motor
Electric Latch Retraction
44" Length



QC-CAB-002

22/12 Frame to Ceiling
Connecting Cable for Motor
Electric Latch Retraction
180" Length



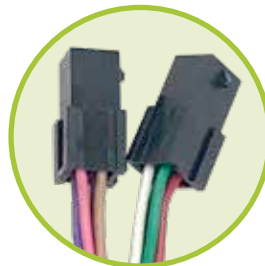
QC-CAB-003

22/2 Door Side
Connecting Cable for
Signal Switch Field Wire
36" Length



QC-CAB-004

22/3 Wire Switch Only Door Side
Connecting Cable for Signal Switch
Shipped with 3 Wires
10" Length



QC-CAB-005

22/12 Dual Cable
Connecting for SM500 Electric
Strike/Mullion Application
52" Length



QC-CAB-006

22/12 Frame to Ceiling
Connecting Cable for FC500
Electric Strike/Mullion
Application
52" Length



QC-CAB-007

22/8 Door Side
Connecting Cable for EPT
and EMT Pre-Wire
52" Length



QC-CAB-008

22/3 Door Side
PAC-Wire Signal Switch
18" Length

INSTALLATION/TECH SPECS

Easy and quick to install;
Universal Mounting Prep;
Steel Core Construction;
Door Stiles as Narrow as 2"

L3 SERIES

CVR

LEVER TRIM



APPLICATIONS

Areas with need to for restricted/
monitored access such as:

- Schools
- Nursery's
- Hospitals
- Government Buildings, etc.

DOOR/ or OTHER SIZES

- The L3 lever trim's standard mounting hardware is suitable for 1³/₄" thick doors
- For other door thicknesses please call 800-793-4544

CONDENSED SPECIFICATION

- The L3 Series Lever Trims shall be designed to be used with our 3600 & 3700 Series Exit Devices.
- Lever trim shall be a First Choice Building Products Series L3 suitable for mounting on door stiles as narrow as 2" and provided in anodized finishes on all exposed surfaces.
- The lever handle shall be round with reinforced stud attachment to the lever body.
- Lever shall have available options for passage, controlled or electronic function.
- (E1) Electronic Function requires low voltage (24vDC) and low amperage (.5 amp) power supply.
- The lever shall provide for universal mounting pattern independent of exit device function or handing.

PRODUCT MATERIALS

- Anodized Aluminum Lever
- Ergonomically Round Handle with reinforced steel interior lever body and mechanism.

SHIPPING

- FOB Our Dock; Shipping Weight with Standard Option – 4#

PART NUMBERING

L3A/B-C/D

SAMPLE NUMBER

L3710-M1CL

OPTIONS

(A) DEVICE TYPE

- 6 = CVR
- 7 = Rim Latch

(B) HAND

- 10 = LHRB
- 20 = RHRB
- 13 = LHRB w/cylinder
- 23 = RHRB w/cylinder

(C) FUNCTION

- M0 = Inactive
- M1 = Night Latch
- M2 = Passage
- M3 = Hold Down
- E1 = Electric

(D) FINISH

- CL = Clear
- BR = Dark Bronze

WARRANTY (See page 23 for complete warranty information)

First Choice
Building Products

555 High Grove Blvd., Glendale Heights, IL 60139
P: (800) 793-4544 • www.FCBP.com • Sales@FCBP.com

02/21 Rev1

14

REMOVABLE MULLION

RM370 SERIES

INSTALLATION/TECH SPECS

Cast Aluminum Brackets;
Steel Internal Stiffening Rod;
Stainless Steel Strikes



PART NUMBERING

RM370-A/B/C

SAMPLE NUMBER

RM370-8CL-01010

OPTIONS

(A) SIZE

7 = 84"
8 = 96"
9 = 108"

(B) FINISH

CL = Clear
BR = Dark Bronze
BL = Black

(C) STRIKE & CLIP

Please Specify Options

01010 = Strike Preps with Security Clips and Clip Prep (Standard)
20010 = No Strikes or Strike Prep
20200 = No Strikes or Strike Prep & No Security Clips or Clip Prep

The following preps enable installation of a surface of a surface mounted electric strike. The exit device mounting location will have to be modified to provide proper clearance.

Single side Prep for Electric Strike (No Strike)

Handing Required:

31010 L = Left hand Swing Out
41010 R = Right Hand Swing Out
51010 = Dual Slide Prep for Electric Strike (No Strike)

Single side Prep for Electric Strike (w/One Strike)

Handing Required:

61010 L = Left hand Swing Out
71010 R = Right Hand Swing Out
81010 = Dual Slide Prep for Electric Strike

APPLICATIONS

- Used with rim latching exit devices to provide a secure latching location
- Used with vertical rod devices to seal the gap between pairs of doors

DOOR/ or OTHER SIZES

- Door Heights up from 86" up to 110" Standard
- Custom Sizes Available

DIMENSIONS

- 3 1/2" Thick, 1" Width at door contact point extending to 1 5/8" in rear

PRODUCT MATERIALS

- Steel-reinforced aluminum
- Steel internal stiffening rod
- Cast aluminum brackets heavy duty stainless steel strikes

SHIPPING

- FOB Our Dock; Shipping Weight with Standard Option – 23-29#

CONDENSED SPECIFICATION

- Security Mullion shall be First Choice Building Products Series RM370 model utilizing steel-reinforced aluminum with a 1" dimension at door contact point
- The Mullion shall use an internal steel stiffening rod
- The Mullion shall use color matched stabilizer clips to provide an added level of security overcoming the natural twisting of the door stile under pressure
- The RM370 Series Mullions are field trimmable (for assistance call 800-793-4544)
- Check with door manufacturer for specific locating and frame preparation details

WARRANTY (See page 23 for complete warranty information)

KRM370 SERIES

KEYED REMOVABLE MULLION



Keyed for quick and easy removal to provide the full width opening on a pair of doors

APPLICATIONS

- For secure installation of RM370 Mullion with quick removal capability

SHIPPING

- FOB Our Dock;
Shipping Weight 3#

CONDENSED SPECIFICATION

- Security Mullion shall be First Choice Building Products Series KRM370 model utilizing steel-reinforced aluminum with a 1" dimension at door contact point
- The Mullion shall use an internal steel stiffening rod
- The Mullion shall use color matched stabilizer clips to provide an added level of security overcoming the natural twisting of the door stile under pressure
- The Mullion shall use heavy duty stainless strikes
- The KRM370 shall utilize a standard mortise key cylinder to provide quick removal of the Mullion in a secure and controlled manner

WARRANTY (See page 23 for complete warranty information)

PART NUMBERING

KRM370-CL
KRM370-BR

OPTIONS

(A) FINISH

CL = Clear

BR = Dark Bronze



SURFACE MOUNT
ELECTRIC STRIKE

SM500 SERIES

Grade 1 fire rated surface mount
Rim Strike for pullman latches
offer the very best strike quality
and performance accommodating
1/2" to 3/4"



PART NUMBERING SM500

APPLICATIONS

Compatible with most exit devices. Includes cover and 2 spacer plates with horizontal adjustment to insure correct latch alignment in all applications.

OPTIONS

Available pre-wired with 8 pin Molex® Plug-in connectors.

PRODUCT MATERIALS

Temper resistant brushed stainless
steel construction.

SHIPPING

- FOB Our Dock; Shipping Weight 2.6#

CONDENSED SPECIFICATION

- SM500 shall be Surface mounted, low profile 1/2"
- Shall provide Fail Safe/Fail Secure operation
- Shall have Static strength 1,500 lbs./Dynamic strength 70 ft.- lbs
- Single solenoid design shall provide superior strike reliability
- Shall supply Voltage - 12/24V AC/DC
- Shall Draw - 280mA@ 12V DC/140mA@ 24DC

WARRANTY (See page 23 for complete warranty information)



EPT3100 SERIES

CONCEALED RIGID
POWER TRANSFER
MORTISE MOUNT



Available with
Molex®
Connectors



Provides means of transferring electrical power or data from the frame to the door in a secure and discreet manner.



PART NUMBERING

EPT3100-A

SAMPLE NUMBER

EPT3100-CL

OPTIONS

(A) FINISH

CL = Clear

BR = Dark Bronze

BL = Black

APPLICATIONS

For use on 13/4" thick doors. Conceals up to ten 24 AWG wires with a maximum rating of 24VDC, 1 Amp. Unit mortises into the edges of the door frame and is completely concealed when the door is in the closed position. Ideal for high abuse or heavy traffic situations.

OPTIONS

Available pre-wired with 8 pin Molex® Plug-in connectors.

PRODUCT MATERIALS

All metal construction including back boxes - NO PLASTIC PARTS.

SHIPPING

FOB Our Dock; Shipping Weight 3#

WARRANTY (See page 23 for complete warranty information)

First Choice
Building Products

555 High Grove Blvd., Glendale Heights, IL 60139
P: (800) 793-4544 • www.FCBP.com • Sales@FCBP.com

02/21 Rev1

18

CONCEALED POWER TRANSFER

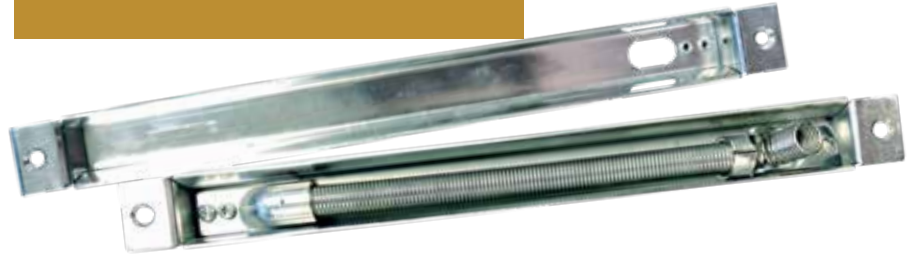
EPT300 SERIES

INSTALLATION/TECH SPECS

To be mortised into door frame in order to provide a concealed option to protect wires and cable connected to a First Choice electric latch retraction capable exit device.

PART NUMBERING

EPT300



APPLICATIONS

Used for electrified latch retraction devices in order to protect the wires attached to the First Choice Exit Device.

DOOR/ or OTHER SIZES

Fits any door size.

PRODUCT MATERIALS

All metal construction including back boxes - NO PLASTIC PARTS.

SHIPPING

- FOB Our Dock; Shipping Weight with Standard Options – 1#.

CONDENSED SPECIFICATION

- Device shall be First Choice Building Products Series EPT300 concealed mounted power transfer
- This device shall be made from stainless steel to be mortised into the door frame providing a protected wire run for bringing power to the First Choice Building Products exit device.

SURFACE MOUNTED POWER TRANSFERS

EMT300 SERIES

INSTALLATION/TECH SPECS

Surface mounted to both door and frame with matching dress caps

PART NUMBERING

EMT300-A

SAMPLE NUMBER

EMT300-BR

OPTIONS

(A) FINISH

- CL = Clear
- BR = Dark Bronze
- BL = Black



APPLICATIONS

Used for electrified latch retraction devices in order to protect the wires attached to the First Choice Exit Device

DOOR/ or OTHER SIZES

Fits any door size.

PRODUCT MATERIALS

Hardened aluminum armored cable with hardened aluminum base for attachment to door frame.

SHIPPING

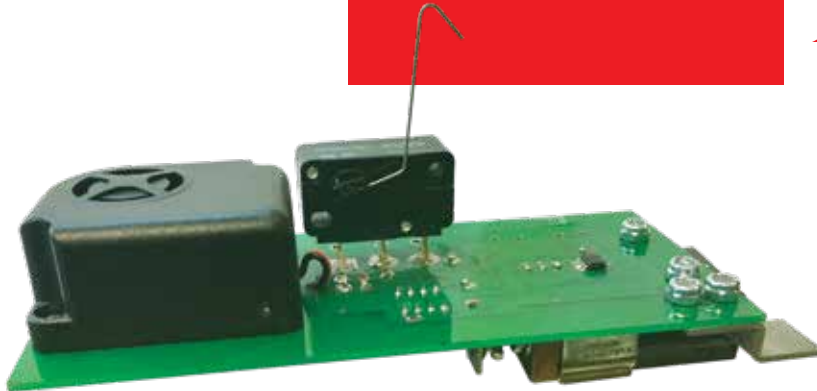
- FOB Our Dock; Shipping Weight with Standard Options – 1#.

CONDENSED SPECIFICATION

- Device shall be First Choice Building Products Series EMT300 concealed mounted power transfer
- This device shall be made from hardened aluminum to be used for providing a protected wire run for bringing power to the First Choice Building Products exit device.

AL36 SERIES

ALARM KIT



INSTALLATION/TECH SPECS

Board Mounted Alarm with 9V Battery;
Inserts into Standard Push Bar;
Trigger Activated with Auto Reset

APPLICATIONS

Areas requiring monitored exit or alarm for security reasons such as:

- Schools, Hospitals
- Nursing Homes
- Stock Rooms
- Office Buildings, etc.

DOOR/ or OTHER SIZES

Fits all standard size 3690 & 3790 devices that have not been field trimmed.

CONDENSED SPECIFICATION

- The Alarm Control Kits shall be designed to operate with the 3600 & 3700 Series Exit Devices.
- The mechanism shall be designed for the rigorous requirements of exit hardware.
- Powerful alarm shall emit a piercing notification of unauthorized egress to protect persons & property.
- Automatic resetting means the door shall remain protected at all times.
- The sophisticated circuitry of Alarm Kits shall provide up to 18 months of standby power or 500 alarm cycles from a standard 9V battery.
- Battery monitoring shall be constant and a "low charge" signal is provided to make it easy to maintain.

WARRANTY (See page 23 for complete warranty information)

DIMENSIONS

- 2" x 1" Alarm Control Board

PRODUCT MATERIALS

- Micro processor controlled, 105 Db horn
- Steel arm trigger and heavy duty micro-switch

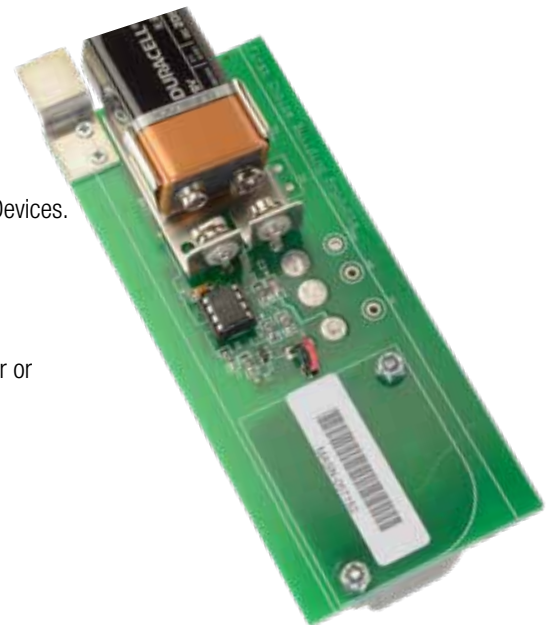
SHIPPING

- FOB Our Dock; Shipping Weight with Standard Options – 1#

PART NUMBERING

AL36

Retrofit Kit fits any stock size First Choice 3600 or 3700 Series Device. Also available pre-integration into an exit device.



BRACKET MOUNTED SIGNAL SWITCH

SW300-2CA SERIES

INSTALLATION/TECH SPECS

Bracket Mounted Signal Switch;
Normally Open/Normally Closed Wiring;
Mounts within all First Choice Exit Devices.



PART NUMBERING **SW300-2CA**

APPLICATIONS

- Provides a contact circuit monitoring push bar position.
- Field selectable normally open or normally closed.

SHIPPING

- FOB Our Dock; Shipping Weight with Standard Options – 1#

DOOR/ or OTHER SIZES

- Ideal for devices equipped with MEL or AL options.
- Fits any size First Choice Building Products Series Devices.

CONDENSED SPECIFICATION

- Signal switch shall be First Choice Building Products Series SW300-2CA Bracket Mounted Signal Switch.
- Device will provide a contact circuit monitoring push bar position.
- Device shall work with any First Choice Building Products Series Exit Devices.

WARRANTY (See page 23 for complete warranty information)

CD3000 SERIES

CYLINDER DOGGING KIT



INSTALLATION/TECH SPECS

Fits any standard size First Choice Building Products 3600 or 3700 Series Device. Replaces the original hex key dogging with key cylinder dogging. Assembly includes an aesthetically pleasing key cylinder collar for added security.

When preinstalled in an exit device or installed as a retrofit kit the key cylinder can easily be changed if need be for security or other purposes.



PART NUMBERING

CD3000-A

SAMPLE NUMBER

CD3000-BR

OPTIONS

(A) FINISH

CL = Clear

BR = Dark Bronze

APPLICATIONS

Areas requiring added security as to who can dog and undog the exit device. Uses any standard size rim type key cylinder.

OPTIONS

Comes with premachined push bar with hole cut for key cylinder for convenient installation. Available as retrofit kit: CD3000UK (fits any standard size First Choice 3600 & 3700 Series Device). Also available preintegrated into an exit device.

DIMENSIONS

.5" wide x .5" long

SHIPPING

FOB Our Dock; Shipping Weight Standard 36" with Standard Option – 11.4#

CONDENSED SPECIFICATION

- Device shall be an CD3000 upgrade kit to be used for providing 1/4 turn interior cylinder dogging for a First Choice Building Products Exit Device.
- The CD3000 Kit consists of a steel cylinder dogging assembly, an aluminum key cylinder collar, and a steel key cylinder retaining plate.

WARRANTY (See page 23 for complete warranty information)

CYLINDER SERIES

RIM TYPE KEY CYLINDER



INSTALLATION/TECH SPECS

Horizontal or vertical tailpiece installation. 5 pin standard, drilled for 6 pin applications.

PART NUMBERING

841-AA

APPLICATIONS

- The 841 is a standard rim type cylinder.
- It is intended for use as an external key cylinder with 3600 or 3700 Series Exit Device with interior cylinder dogging.

OPTIONS

(AA) FINISH

CL = Clear BR = Dark Bronze

PRODUCT MATERIALS

- Machined from solid brass or aluminum.
- Furnished with trim ring, mounting plate and break-off screws.

DIMENSIONS

- 2³/₈" Tailpiece on Rim Type

SHIPPING

FOB Our Dock; Shipping Weight with Standard Options-1#

THUMB TURN RIM TYPE CYLINDER

INSTALLATION/TECH SPECS

Horizontal or vertical tailpiece installation. 5 pin standard, drilled for 6 pin applications.



PART NUMBERING

841-T-AA

APPLICATIONS

- The 841-T is a standard rim type cylinder with a thumb turn.
- It is intended for use as an external key cylinder with 3600 or 3700 Series Exit Device with interior cylinder dogging.

MORTISE TYPE KEY CYLINDER



INSTALLATION/TECH SPECS

3/4" Length, 5 pin standard

PART NUMBERING

M100-AA

APPLICATIONS

- The M100 is a standard mortise type cylinder.
- It is intended for use L3 Series Lever Trim.

FC110

FULLY CONCEALED CONTINUOUS HINGES

INSTALLATION/TECH SPECS

Machined to exacting standards so hole pattern remains consistent from hinge to hinge, critical to reducing installation time. No mortising of door or frame required.



PART NUMBERING

FC110-A-B

SAMPLE NUMBER

FC110-83-CL

OPTIONS

(A) SIZE 83 = 83" 95 = 95" 120 = 120"
(B) FINISH CL = Clear BR = Dark Bronze

APPLICATIONS

For new installation or replacement of existing hardware

DOOR/ or OTHER SIZES

For doors up to 450 lbs.

DIMENSIONS

Available from 83" to 120"

PRODUCT MATERIALS

Extruded 6063 - T6 Aluminum Alloy with Polyacetal Thrust Bearings

SHIPPING

FOB Our Dock; Shipping Weight with Standard Options-
8# For 83" Hinge 9# For 95" Hinge 11# For 120" Hinge

SHORT SPECIFICATION

- Hinge shall be First Choice Building Products Series FC110 Fully Concealed, Flush Continuous Hinge.
- This device shall be made from extruded 6063 - T6 Aluminum Alloy with polyacetal thrust bearings.

FC111

FULLY CONCEALED CONTINUOUS HINGES

INSTALLATION/TECH SPECS

Machined to exacting standards so hole pattern remains consistent from hinge to hinge, critical to reducing installation time. No mortising of door or frame required.



with
1/8"
inset



PART NUMBERING

FC111-A-B

SAMPLE NUMBER

FC111-83-CL

OPTIONS

(A) SIZE 83 = 83" 95 = 95" 120 = 120"
(B) FINISH CL = Clear BR = Dark Bronze

APPLICATIONS

For new installation or replacement of existing hardware

DOOR/ or OTHER SIZES

For doors up to 450 lbs.

DIMENSIONS

Available from 83" to 120"

PRODUCT MATERIALS

Extruded 6063 - T6 Aluminum Alloy with Polyacetal Thrust Bearings

SHIPPING

FOB Our Dock; Shipping Weight with Standard Options-
8# For 83" Hinge 9# For 95" Hinge 11# For 120" Hinge

SHORT SPECIFICATION

- Hinge shall be First Choice Building Products Series FC111 Fully Concealed, 1/8" Inset, Continuous Hinge.
- This device shall be made from extruded 6063 - T6 Aluminum Alloy with polyacetal thrust bearings.

FC240

FULLY CONCEALED CONTINUOUS HINGES

INSTALLATION/TECH SPECS

Machined to exacting standards so hole pattern remains consistent from hinge to hinge, critical to reducing installation time.



PART NUMBERING

FC240-A-B

SAMPLE NUMBER

FC240-83-CL

OPTIONS

(A) SIZE 83 = 83" 95 = 95" 120 = 120"
(B) FINISH CL = Clear BR = Dark Bronze

APPLICATIONS

For new installation or replacement of existing hardware

DOOR/ or OTHER SIZES

For doors up to 450 lbs.

DIMENSIONS

Available from 83" to 120"

PRODUCT MATERIALS

Extruded 6063 - T6 Aluminum Alloy with Polyacetal Thrust Bearings

SHIPPING

FOB Our Dock; Shipping Weight with Standard Options-
8# For 83" Hinge 9# For 95" Hinge 11# For 120" Hinge

SHORT SPECIFICATION

- Hinge shall be First Choice Building Products Series FC240 Fully Concealed, 3/32" Inset, Continuous Hinge.
- This device shall be made from extruded 6063 - T6 Aluminum Alloy with polyacetal thrust bearings.

FC530

HALF SURFACE CONTINUOUS HINGES

INSTALLATION/TECH SPECS

Machined to exacting standards so hole pattern remains consistent from hinge to hinge, critical to reducing installation time.



PART NUMBERING

FC530-A-B

SAMPLE NUMBER

FC530-83-CL

OPTIONS

(A) SIZE 83 = 83" 95 = 95" 120 = 120"
(B) FINISH CL = Clear BR = Dark Bronze

APPLICATIONS

For new installation or replacement of existing hardware

DOOR/ or OTHER SIZES

For doors up to 450 lbs.

DIMENSIONS

Available from 83" to 120"

PRODUCT MATERIALS

Extruded 6063 - T6 Aluminum Alloy with Polyacetal Thrust Bearings

SHIPPING

FOB Our Dock; Shipping Weight with Standard Options-
8# For 83" Hinge 10# For 95" Hinge 12# For 120" Hinge

SHORT SPECIFICATION

- Hinge shall be First Choice Building Products Series FC530 Half Surface Continuous Hinge.
- This device shall be made from extruded 6063 - T6 Aluminum Alloy with polyacetal thrust bearings.

FC570

FULL SURFACE CONTINUOUS HINGES

INSTALLATION/TECH SPECS

Machined to exacting standards so hole pattern remains consistent from hinge to hinge, critical to reducing installation time.



PART NUMBERING

FC570-A-B

SAMPLE NUMBER

FC570-83-CL

OPTIONS

(A) SIZE 83 = 83" 95 = 95" 120 = 120"
(B) FINISH CL = Clear BR = Dark Bronze

APPLICATIONS

For new installation or replacement of existing hardware

DOOR/ or OTHER SIZES

For doors up to 450 lbs.

DIMENSIONS

Available from 83" to 120"

PRODUCT MATERIALS

Extruded 6063 - T6 Aluminum Alloy with Polyacetal Thrust Bearings

SHIPPING

FOB Our Dock; Shipping Weight with Standard Options-
10# For 83" Hinge 12# For 95" Hinge 14# For 120" Hinge

SHORT SPECIFICATION

- Hinge shall be First Choice Building Products Series FC570 Full Surface Continuous Hinge.
- This device shall be made from extruded 6063 - T6 Aluminum Alloy with polyacetal thrust bearings.



WARRANTY

First Choice warrants that products manufactured by us will be free of defects in material and workmanship for a period of Two Years from date of invoice. The Purchaser shall be obligated to promptly report any failure of conformance with this warranty, in writing, to First Choice within the warranty period whereupon First Choice shall, at its option, correct such non-conformity, by repair or replacement, provided the Purchaser has installed, maintained and operated such product in accordance with good industry practices and has complied with the recommendations of First Choice. First Choice shall not be liable for any repairs, replacements, or adjustments to the product or any costs of labor performed by the Purchaser or others without First Choice's prior written approval.

First Choice makes no other warranty or representation of any kind whatsoever, expressed or implied, except that of title, and all other implied warranties of merchantability and fitness for a particular purpose, are hereby disclaimed.

FAQs

What Does This Warranty Cover?

We warrant all of our products against defects in either material or workmanship.

What Does This Warranty Not Cover?

We do not warrant against errors in installation or application, nor are we liable for consequential damages.

What is the Period of Coverage?

We will cover our products for a period of two years from the date of our original shipment.

What Will We Do to Correct Problems?

We will decide to either repair or replace the products to provide what we determine is the best solution to the problem

What Will We Not Do?

We will not provide coverage for labor or transportation charges without prior written agreement.

How Do You Get Service?

You only have to report any product failure or non-conformance directly to us within the warranty period.

What Must You Do to Keep the Warranty in Effect?

You need only maintain the devices with periodic inspection and maintenance.

Are There Any Express or Implied Warranties?

There are no warranties, express or implied, except those stated above.





P: (800) 793-4544
F: (800) 867-5016
www.FCBP.com
sales@FCBP.com