

# PD15-M SERIES

- **RETROFITS THE JACKSON 1285/95 & KAWNEER 1686/1786 SERIES EXIT DEVICES**
  - **MOTORIZED LATCH RETRACTION W/ EASY ADJUSTMENT**
  - **LONG WIRE RUNS W/ 18GA - NO NEED FOR SPECIALITY POWER SUPPLY**
- RIGHT ABOVE THE DOOR.
- **3 YEAR NO HASSLE WARRANTY**



Command Access PD15-M series is a motorized latch pullback Grade 1 storefront exit device; made for use in all institutions and commercial buildings storefront applications. All PD15-M models are equipped with our PTS “push to set” technology. As a retrofit for the Jackson 1285/95 & Kawneer 1686/1786 series models are designed to utilize the existing mounting locations and mortise or rod & case assemblies without having to remove the door. Install this device with the confidence of knowing that the PD15-M series meets or exceeds the high standards of other grade 1 products and carries our 3-year “no hassle” warranty, meaning we will support you.

## SPECIFICATIONS

### ELECTRONICS

- System protection – unit shutdown when voltage exceeds 28VDC
- Standard - Average Current Peak: 900mA, Average Current Hold: 250mA
- PTS adjustment – approx. 1/4”
- 300’ Run w/ 18ga

### ACCESSORIES - Additional charges

- Request to Exit (REX) - Switch available factory installed
- Request to Exit Kit (PD15REXKIT-M-ED) - Switch available for installation in the field

### FEATURES:

- Our motorized latch retraction is fast, quiet, and smooth!
- MM5 Smart Module: On board diagnostics with audible feedback for adjustment and power issues
- “PTS”: 1 second electronic adjustment for easy post installation adjustment
- Electric dogging rated for continuous duty - Auto re-engage if pulled from the dogged position
- Low current draw: Compatible with most 24VDC, 1.5A (or greater) regulated & linear power supplies
- Up to 300’ with 2-18ga --Long wire runs with provides installer with convenience of placing the locking device power supply in a centralized location; i.e. the same closet as the access panel
- 8” cable with Quick Connect for MM4 module to easily connect to power supply lead
- The slim, compact attractive low profile design enables mounting on narrow-style doors.
- Maintains factory dogging
- 3-year “no hassle” warranty - Longer than the traditional 1 year warranty because our stuff works!

# HARDWARE

## HANDING

- RIM device is non-handed. CVR device is handed.

## DOOR THICKNESS

- Suits 1-3/4" standard

## PROJECTION

- 2-5/8" when fully projected, 1-5/8" when dogged.

## STILE WIDTH

- Minimum 2" Stile. Fits narrow, medium, and wide stile aluminum doors.

## DOGGING

- Standard dogging with hex key or cylinder dogging option. Electric dogging also available.

## FASTENERS

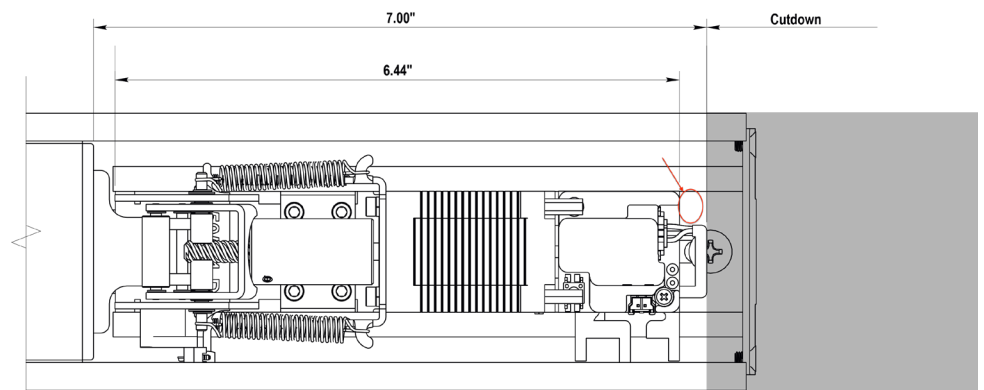
- Standard self-tapping screws

## VERTICAL RODS

- Top and bottom steel rods for easy adjustment
- Standard device is adjustable for nominal door heights

## PUSHBAR LENGTH

- Standard size: dimensioned for 36" and 48" openings. Standard width bars can be field cut to: 36/48" - 7" of Filler Plate Needed



## HOW TO ORDER

### MODELS AVAILABLE - *Sub PD16 for mechanical devices*

**PD15-M-RIM** - Complete RIM device, Non-Handed, **Motorized** Latch Retraction, w/electric dogging. Specify Alum or Duro Finish. 24V ONLY  
*FAIL SECURE (EU)*

**PD15-M-CVR** - Complete CVR device, **Specify Handing** - LHR or RHR, **Motorized** Latch Retraction, w/electric dogging. Specify Alum or Duro Finish. 24V ONLY  
*FAIL SECURE (EU)*

- Available in 48" with an upcharge.

### NEED A LOCKING HARDWARE POWER SUPPLY?

#### RECOMMENDED LOCKING HARDWARE POWER SUPPLIES:

- PS204/PS204B
- PS220/220B
- PS480B
- PS210
- PS440B

