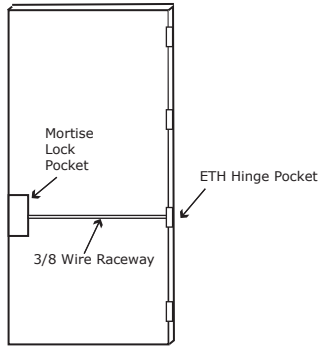


INSTALLATION INSTRUCTIONS ML370/371/372/373/336/337

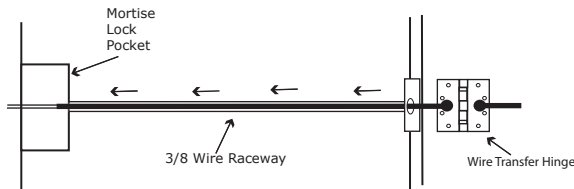
Sargent Lock modified by Command Access Technologies



STEP 1: The door must be machined with a 3/8" wire raceway, mortise lock pocket & prepped for a energy transfer hinge. **Make sure the mortise pocket is free of debris.**

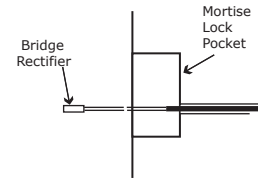


STEP 2: Run the wires from the ETH hinge through the 3/8" raceway starting at the ETH hinge & exiting into the mortise pocket.

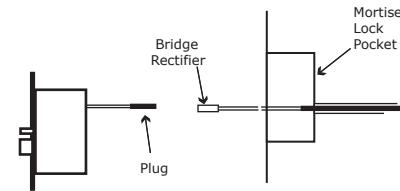


STEP 3: Screw the ETH hinge to the door. At this time **DO NOT** connect the hinge wires on the jamb side to the wires coming from the power supply.

STEP 4: Connect the wires exiting the mortise pocket to the Bridge Rectifier (included).



STEP 5: Connect the Bridge Rectifier to the plug exiting the mortise chassis.



STEP 6: Carefully slip the connected mortise lock chassis into the mortise pocket paying close attention not to pinch any wires.

STEP 7: Mount the chassis per manufacturer's instructions.

STEP 8: Connect the wires from the power supply at the ETH hinge on the jamb side. Connect the hinge to the jamb.

LEGEND OF TERMS

EU: (Fail Secure) When power is applied, the outside trim will unlock. When power is removed, the outside trim is locked.

EL: (Fail Safe) When power is applied, the outside trim will lock. When power is removed, the outside trim is unlocked.

REX: (Request to Exit Switch) Monitors the inside handle.

DPS: (Door Position Switch) Monitors the door position via the anti pick (Deadlatch).

LBM: (Latchbolt Monitor Switch) Monitors the position of latchbolt.

ELECTRICAL SPECIFICATIONS

SOLENOIDS:

VOLTS	CURRENT	COIL RESISTANCE
24VAC/DC	350mA	69 Ohms +/- 10%
12VAC/DC	700mA	18 Ohms +/- 10%

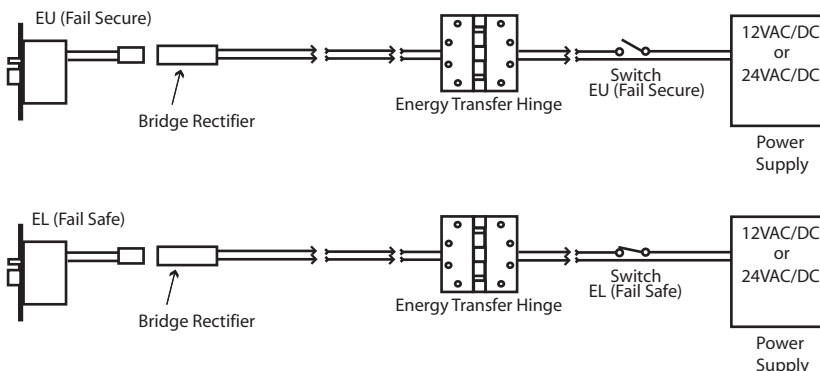
SWITCHES: .25A 24VAC/DC

REX: (LH/LHR)
Green -Common (C)
Blue -Normally Open (NO)
Gray -Normally Closed (NC)

REX: (RH/RHR)
Green/White -Common (C)
Blue/White -Normally Open (NO)
Gray/White -Normally Closed (NC)

LBM:
Green/Black -Common (C)
Blue/Black -Normally Open (NO)
Gray/Black -Normally Closed (NC)

DPS:
Green/Red -Common (C)
Blue/Red -Normally Open (NO)
Gray/Red -Normally Closed (NC)



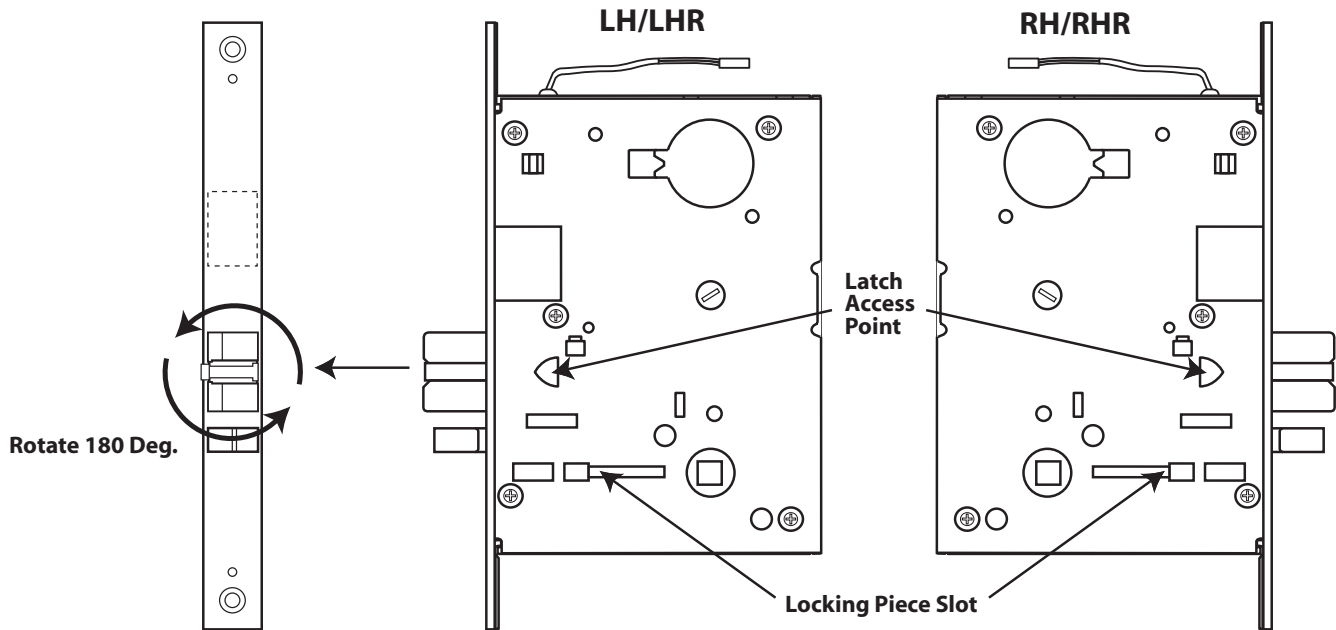
Handing Instructions for ML370/371/372/373/336/337 Mortise Locks

STEP 1: To rotate the latchbolt, insert a blade screwdriver into the latch access point and rotate 90° to push latch out until back of latch clears front of lock. Then rotate latch 180°. Latch will then retract into the case.

STEP 2: To rotate locking piece, position the lock body with the RED surface of locking piece visible.

STEP 3: Insert blade screwdriver into locking piece slot to rotate locking piece.

STEP 4: Push locking piece toward back of lock body and rotate 180 until RED surface shows on opposite side. NOTE: RED color indicates locked side of door.



Template for ML370/371/372/373/336/337 Mortise Locks

