



EAT•N



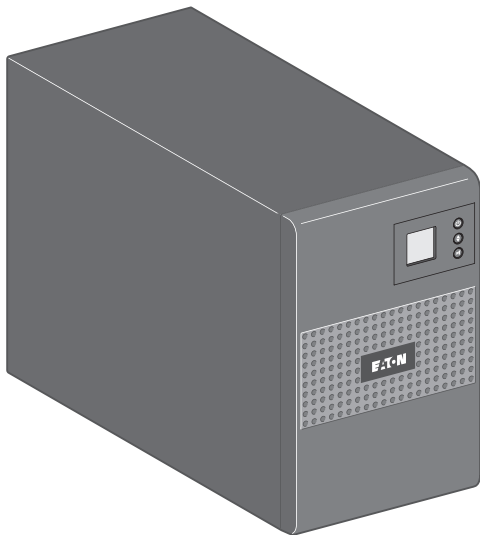
EAT•N

5SC 500
5SC 750
5SC 1000
5SC 1500
5SC 500G
5SC 750G
5SC 1500G

User's guide

English - Français

Español - Português



Installation

5SC 500
5SC 750
5SC 1000
5SC 1500
5SC 500G
5SC 750G
5SC 1500G

Copyright © 2013 **EATON**
All rights reserved.

Service and support:
Call your local service representative

619-00470-02 -us (en)

IMPORTANT SAFETY INSTRUCTIONS

SAVE THESE INSTRUCTIONS. This manual contains important instructions that should be followed during installation and maintenance of the UPS and batteries.

The 5SC models that are covered in this manual are intended for installation in an environment within 0 to 35 °C / 32 to 95 °F, free of conductive contaminant.

This equipment has been tested and found to comply with the limits for a Class A digital device, pursuant to Part 15 of the FCC Rules. These limits are designed to provide reasonable protection against harmful interference when the equipment is operated in a commercial environment. This equipment generates, uses, and can radiate radio frequency energy and, if not installed and used in accordance with the instruction manual, may cause harmful interference to radio communications. Operation of this equipment in a residential area is likely to cause harmful interference in which case the user will be required to correct the interference at his own expense.

Certification Standards

- UPS directives: UL 1778 4th edition (UL listed).
- Performance: IEC 62040-3: 2001.
- Radiated emission: FCC CFR 47 part 15 subpart B, Class A, VCCI.
- Surges withstand ability: IEEE ANSI C62.41 Category A2 (UL Listed).

VCCI Notice

この装置は、情報処理装置等電波障害自主規制協議会（VCCI）の基準に基づくクラスA情報技術装置です。この装置を家庭環境で使用すると電波妨害を引き起こすことがあります。この場合には使用者が適切な対策を講ずるよう要求されることがあります。

Special Symbols

The following are examples of symbols used on the UPS or accessories to alert you to important information:



RISK OF ELECTRIC SHOCK - Observe the warning associated with the risk of electric shock symbol.



Important instructions that must always be followed.



Do not discard the UPS or the UPS batteries in the trash. This product contains sealed lead acid batteries and must be disposed as it's explain in this manual. For more information, contact your local recycling/reuse or hazardous waste center.



This symbol indicates that you should not discard waste electrical or electronic equipment (WEEE) in the trash. For proper disposal, contact your local recycling/reuse or hazardous waste center.



Information, advice, help.

Safety of Persons

- The system has its own power source (the battery). Consequently, the power outlets may be energized even if the systems is disconnected from the AC power source.
- Dangerous voltage levels are present within the system. It should be opened exclusively by qualified service personnel.
- The system must be properly grounded.
- The battery supplied with the system contains small amounts of toxic materials.
To avoid accidents, the directives listed below must be observed:
 - servicing of batteries should be performed or supervised by personnel knowledgeable about batteries and the required precautions.
 - when replacing batteries, replace with the same type and number of batteries or battery packs.
 - do not dispose of batteries in a fire. The batteries may explode.
 - batteries constitute a danger (electrical shock, burns). The short-circuit current may be very high.

Precautions must be taken for all handling:

- Wear rubber gloves and boots.
- Do not lay tools or metal parts on top of batteries.
- Disconnect charging source prior to connecting or disconnecting battery terminals.
- Determine if battery is inadvertently grounded. If inadvertently grounded, remove source from ground. Contact with any part of a grounded battery can result in electrical shock. The likelihood of such shock can be reduced if such grounds are removed during installation and maintenance (applicable to equipment and remote battery supplies not having a grounded supply circuit).

Product Safety

- The UPS connection instructions and operation described in the manual must be followed in the indicated order.
- A protection circuit breaker must be installed upstream and be easily accessible.
The system can be disconnected from the AC power source by opening this circuit breaker.
- Check that the indications on the rating plate correspond to your AC powered system and to the actual electrical consumption of all the equipment to be connected to the system.
- For PLUGGABLE EQUIPMENT, the socket-outlet shall be installed near the equipment and shall be easily accessible
- Never install the system near liquids or in an excessively damp environment.
- Never let a foreign body penetrate inside the system.
- Never block the ventilation grates of the system.
- Never expose the system to direct sunlight or source of heat.
- If the system must be stored prior to installation, storage must be in a dry place.
- The admissible storage temperature range is -15 to +40 °C / 5 to 104 °F.
- The system is not for use in a computer room.

Special Precautions

- All handling operations will require at least two people (unpacking, installation in rack system).
- Before and after the installation, if the UPS remains de-energized for a long period, the UPS must be energized for a period of 24 hours, at least once every 6 months (for a normal storage temperature less than 25 °C / 77 °F). This charges the battery, thus avoiding possible irreversible damage.
- During the replacement of the Battery Module, it is imperative to use the same type and number of element as the original Battery Module provided with the UPS to maintain an identical level of performance and safety. In case of doubt, don't hesitate to contact your EATON representative.

1. Introduction.....	6
1.1 Environmental protection	6
2. Presentation	7
2.1 Standard installation	7
2.2 Rear panels	7
2.3 Control panel	8
2.4 LCD description	8
2.5 UPS setting through the LCD	9
3. Installation	10
3.1 Unpacking and contents check	10
3.2 Battery module connection	10
3.3 Communication ports	11
4. Operation.....	12
4.1 Start-up and Normal operation.....	12
4.2 Starting the UPS on Battery	12
4.3 UPS Shutdown	12
4.4 Operation on Battery Power	12
4.5 Return of AC Input Power.....	12
5. Maintenance	13
5.1 Troubleshooting.....	13
5.2 Battery-module replacement	14
6. Appendices	15
6.1 Technical specifications.....	15

1. Introduction

Thank you for selecting an EATON product to protect your electrical equipment.

The 5SC range has been designed with the utmost care.

We recommend that you take the time to read this manual to take full advantage of the many features of your UPS (Uninterruptible Power System).

Before installing your 5SC, please read the booklet presenting the safety instructions. Then follow the instructions in this manual.

To discover the entire range of EATON products and the options available for the 5SC range, we invite you to visit our web site at www.eaton.com/powerquality or contact your EATON representative.

1.1 Environmental protection

EATON has implemented an environmental-protection policy. Products are developed according to an eco-design approach.

Substances


This product does not contain CFCs, HCFCs or asbestos.

Packing

To improve waste treatment and facilitate recycling, separate the various packing components.

- The cardboard we use comprises over 50% of recycled cardboard.
- Sacks and bags are made of polyethylene.
- Packing materials are recyclable and bear the appropriate identification symbol



Materials	Abbreviations	Number in the symbols 
Polyethylene terephthalat	PET	01
High-density polyethylene	HDPE	02
Polyvinyl chloride	PVC	03
Low-density polyethylene	LDPE	04
Polypropylene	PP	05
Polystyrene	PS	06

Follow all local regulations for the disposal of packing materials.

End of life

EATON will process products at the end of their service life in compliance with local regulations. EATON works with companies in charge of collecting and eliminating our products at the end of their service life.

Product

The product is made up of recyclable materials.

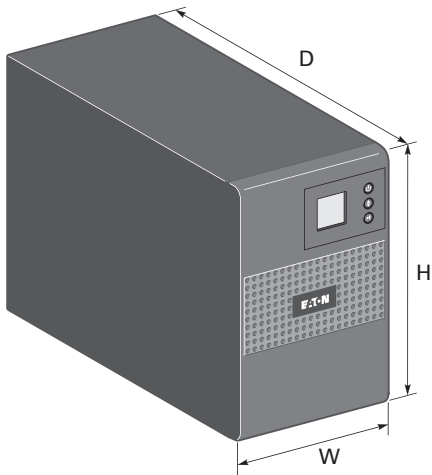
Dismantling and destruction must take place in compliance with all local regulations concerning waste. At the end of its service life, the product must be transported to a processing center for electrical and electronic waste.

Battery

The product contains lead-acid batteries that must be processed according to applicable local regulations concerning batteries.

The battery may be removed to comply with regulations and in view of correct disposal.

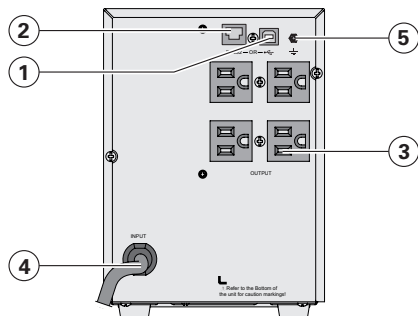
2.1 Standard installation



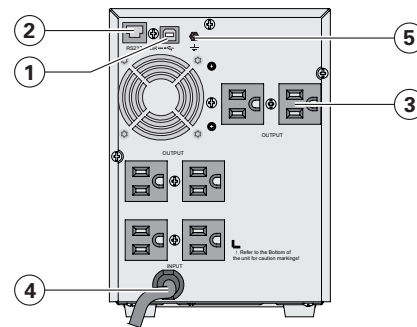
Description	Weights (lb/kg)	Dimensions (inch/mm) D x W x H
5SC 500	15.0 / 6.8	9.4 x 5.9 x 8.3 / 240 x 150 x 210
5SC 750	23.6 / 10.7	13.4 x 5.9 x 8.3 / 340 x 150 x 210
5SC 1000	25.1 / 11.4	13.4 x 5.9 x 8.3 / 340 x 150 x 210
5SC 1500	34.4 / 15.6	16.1 x 5.9 x 8.3 / 410 x 150 x 210
5SC 500G	14.6 / 6.6	9.4 x 5.9 x 8.3 / 240 x 150 x 210
5SC 750G	22.9 / 10.4	13.4 x 5.9 x 8.3 / 340 x 150 x 210
5SC 1500G	33.5 / 15.2	16.1 x 5.9 x 8.3 / 410 x 150 x 210

2.2 Rear panels

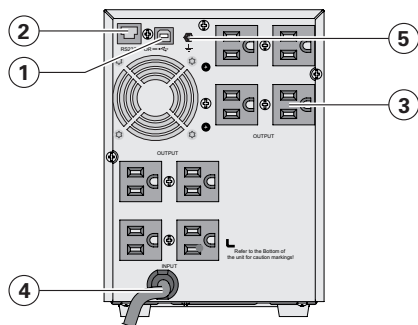
5SC 500



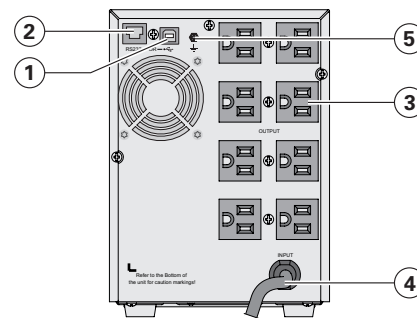
5SC 750



5SC 1000



5SC 1500

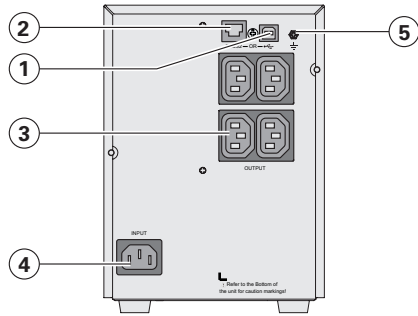


- (1) USB communication port
- (2) RS232 communication port
- (3) Outlets for connection of critical equipment
- (4) Attached 6 ft. input power cord for AC-power source
- (5) Ground screw

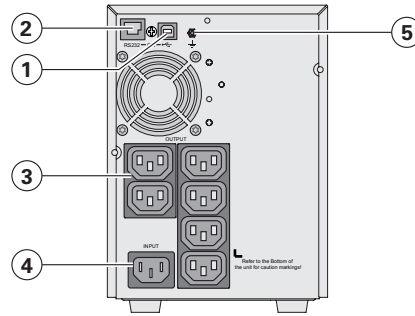
2. Presentation

2.2 Rear panels

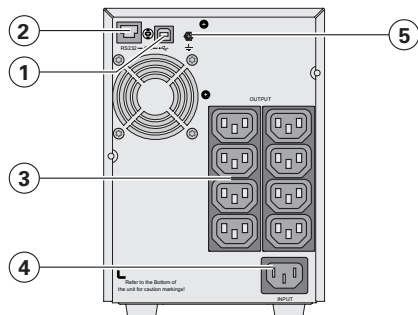
5SC 500G



5SC 750G



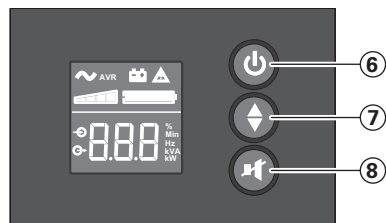
5SC 1500G



- (1) USB communication port
- (2) RS232 communication port
- (3) Outlets for connection of critical equipment
- (4) Socket for connection to AC-power source
- (5) Ground screw

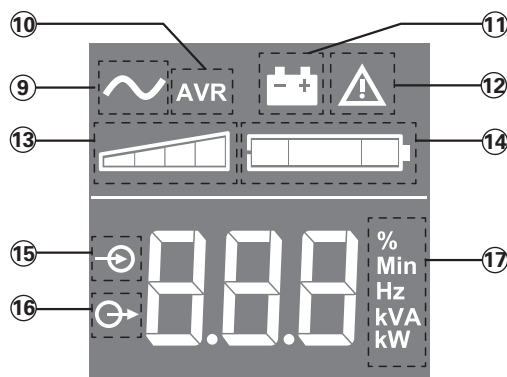
2.3 Control panel

The UPS has a three-button LCD. It provides useful information about the UPS itself, load status, events, measurements and settings.



- (6) ON/OFF button
- (7) Scroll down
- (8) Mute alarm

2.4 LCD description

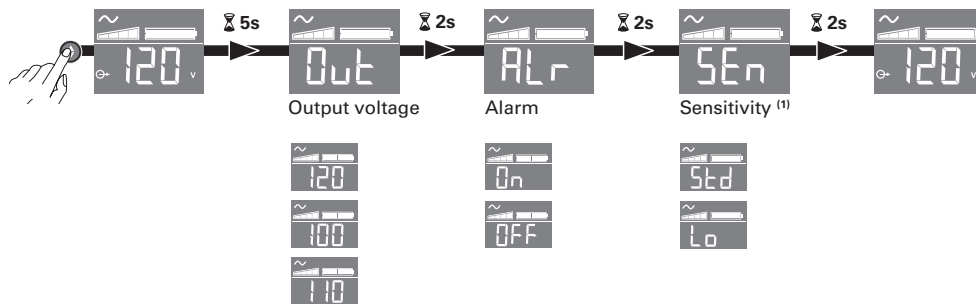


- (9) UPS ON
- (10) AVR mode
- (11) Battery mode
- (12) Internal fault
- (13) Output load level
- (14) Battery level
- (15) Input measurements
- (16) Output measurements
- (17) Measuring unit

2.5 UPS setting through the LCD

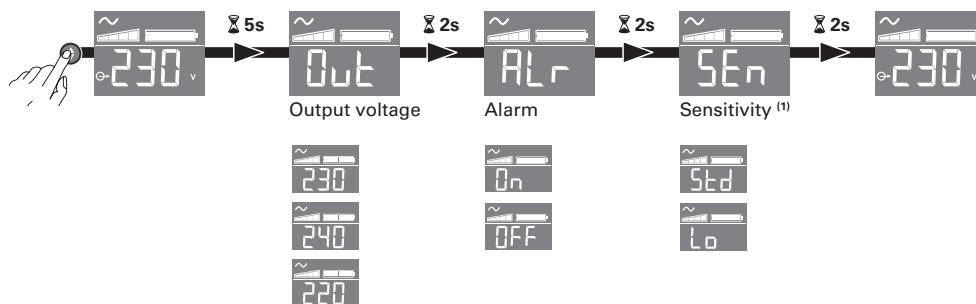
5SC 500 / 750 / 1000 / 1500

Release scroll down button to select menu



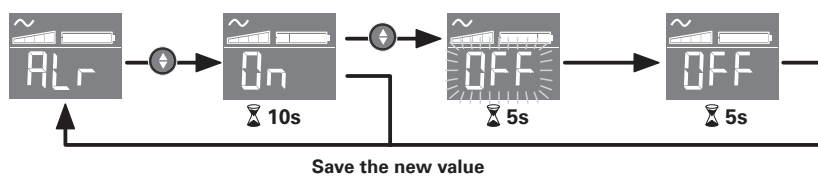
5SC 500G / 750G / 1500G

Release scroll down button to select menu



(1) In low sensitivity mode (Lo) UPS will tolerate more fluctuations in power and will go on battery power less often. If the connected load is sensitive to power disturbances, keep the sensitivity as Standard (Std).

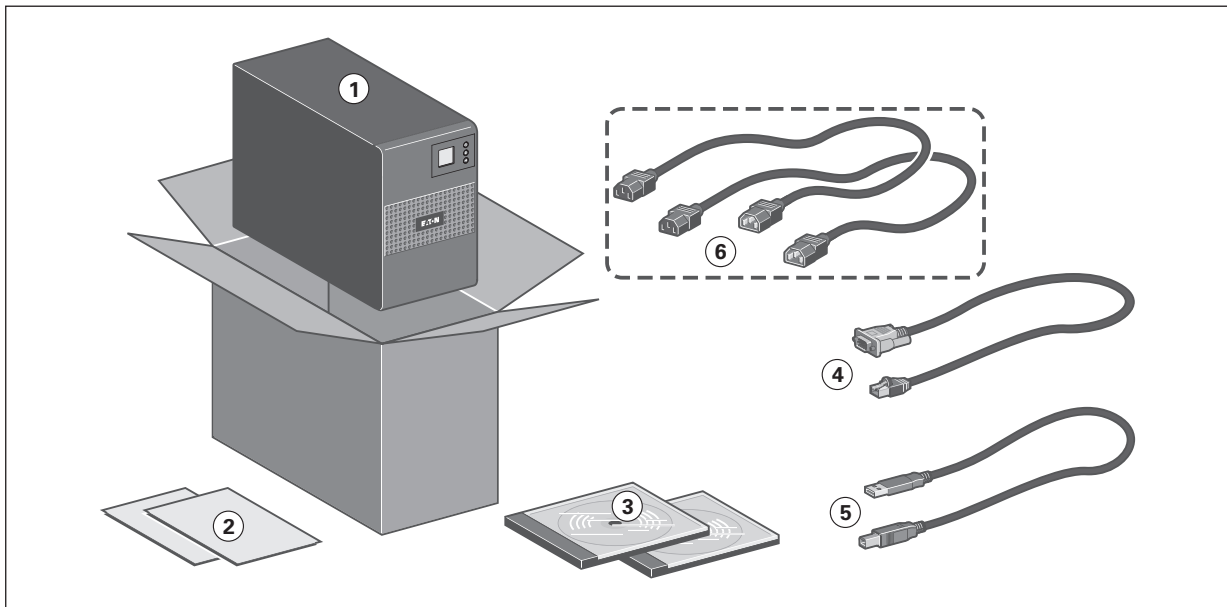
Example of setting



- LCD shut off if no activity for 3 minutes.

3. Installation

3.1 Unpacking and contents check



(1) 5SC UPS

(2) Quick start and safety instructions

(3) User manual and IPSS (Intelligent Power Software Suite) CD-ROM

(4) RS232 communication cable

(5) USB communication cable

(6) 2 connection cables for the protected equipments (500G, 750G and 1500G models)



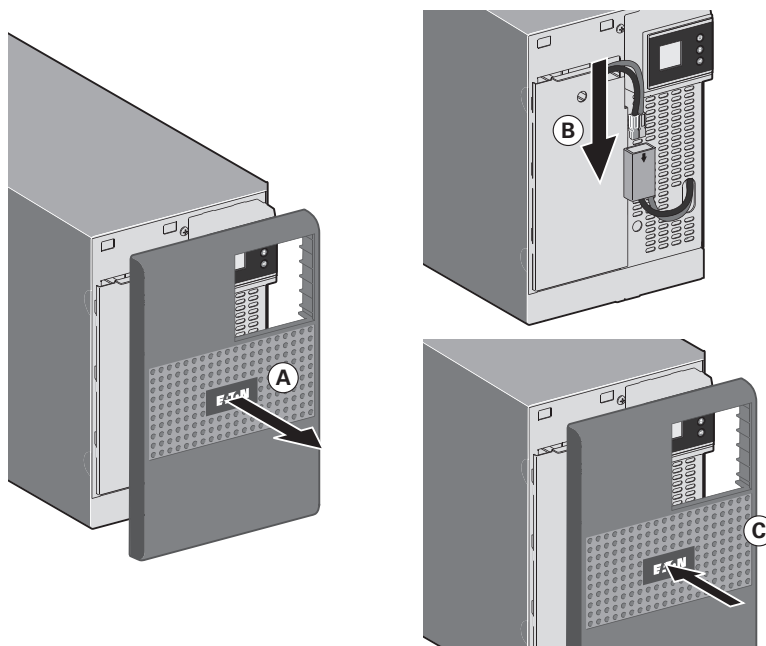
Packing materials must be disposed of in compliance with all local regulations concerning waste. Recycling symbols are printed on the packing materials to facilitate sorting.

3.2 Battery module connection

Caution: Before starting the UPS, please connect the internal battery.

Note: A small amount of arcing may occur when connecting the batteries.

This is normal and does not damage the UPS or present any safety concern.



A - Remove front panel.

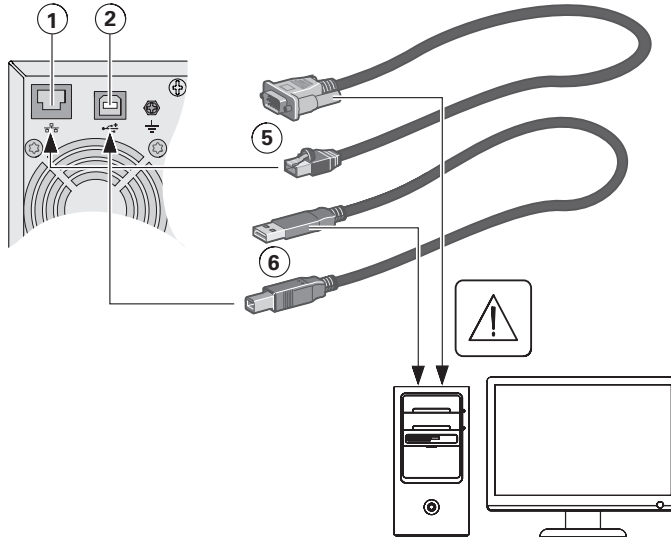
B - Connect the battery module
(never pull on the wires).

C - Attach the front panel.

3.3 Communication ports

Connection of RS232 or USB communication port

The RS232 and USB communication ports cannot operate simultaneously.



1. Connect the RS232 (5) or USB (6) communication cable to the serial or USB port on the computer equipment.



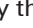
2. Connect the other end of the communication cable (5) or (6) to the USB (2) or RS232 (1) communication port on the UPS.

The **UPS** can now communicate with EATON power management software.

4. Operation

4.1 Start-up and Normal operation

To start the UPS:



1. Verify that the UPS power cord is plugged in.
2. Press the  button on the UPS front panel for at least 2 seconds.
3. Check the UPS front panel display for active alarms.
If the  indicator is on, do not proceed until all alarms are cleared.
Correct the alarms and restart if necessary.
4. Verify that the  indicator illuminates solid, indicating that the UPS is operating normally and any loads are powered and protected.

4.2 Starting the UPS on Battery




Before using this feature, the UPS must have been powered by utility power with output enabled at least once.

To start the UPS on battery:

1. Press the  button on the UPS front panel until the UPS front panel display illuminates.
The UPS cycles through Standby mode to Battery mode. The  indicator illuminates solid.
The UPS supplies power to your equipment.
2. Check the UPS front panel display for active alarms. Resolve any active alarms before continuing.
See "Troubleshooting" on page 21.

4.3 UPS Shutdown


To shut down the UPS:

Press the  button on the front panel for three seconds.

The UPS starts to beep. The UPS then transfers to Standby mode, and the  indicator turns off.

4.4 Operation on Battery Power


Transfer to battery power

- The connected devices continue to be supplied by the UPS when AC input power is no longer available. The necessary energy is provided by the battery.
- The  indicator illuminates solid.
- The audio alarm beeps every ten seconds.



The connected devices are supplied by the battery.

Low-battery warning

- The  indicator illuminates solid.
- The audio alarm beeps every three seconds.



The remaining battery power is low. Shut down all applications on the connected equipment because automatic UPS shutdown is imminent.

End of battery backup time

- All the LEDs go OFF.
- The audio alarms stops.

4.5 Return of AC Input Power

Following an outage, the UPS restarts automatically when AC input power returns (unless the restart function has been disabled) and the load is supplied again.

5.1 Troubleshooting

Operation status	Possible cause	Action
Overload OL	Power requirement exceeds the UPS capacity (greater than 105 % of nominal).	Remove some of the equipment from the UPS. The UPS continues to operate, but may shutdown if the load increases. The alarm resets when the condition becomes inactive.
Site wiring fault SF	A Site Wiring Fault has occurred. The outlet that the UPS is plugged into is not properly grounded or properly wired.	Have a qualified electrician correct the wiring.
Short-circuit fault SC	A short-circuit occurred.	Check device connection or integrity. If error persists, note the alarm message and the UPS serial number, and then contact your service representative.
Battery fault BAT	The batteries in the UPS are disconnected.	Verify that all batteries are properly connected. If error persists, note the alarm message and the UPS serial number, and then contact your service representative.
	The end of battery life is reached.	Contact your service representative for battery replacement.
Fan fault FAn	The UPS has a fan fault.	Check that no object is blocking the fan. If error persists, note the alarm message and the UPS serial number, and then contact your service representative.
Charger fault Chr	The UPS has a charger fault.	The UPS does not charge the battery anymore. Note the alarm message and the UPS serial number, and then contact your service representative.

5. Maintenance

5.2 Battery-module replacement

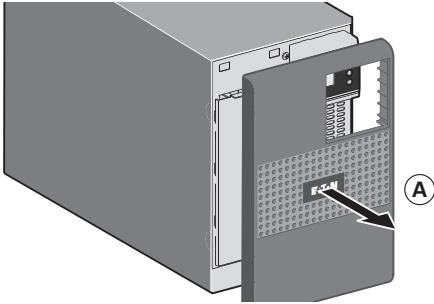
Safety recommendations

The battery can cause electrocution and high short-circuit currents. The following safety precautions are required before servicing the battery components:

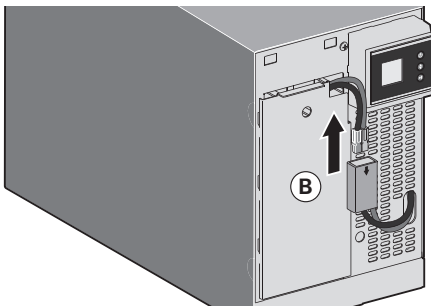
- remove watches, rings, bracelets and all other metal objects from the hands and arms,
- use tools with an insulated handle.

Battery tray removal on tower models

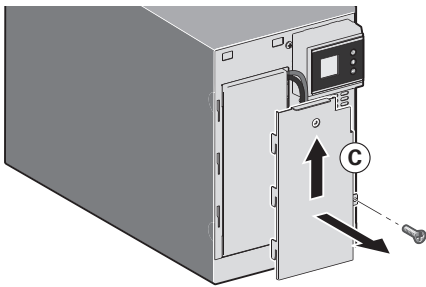
This operation must be performed when the UPS is switched OFF, and unplugged from AC source.



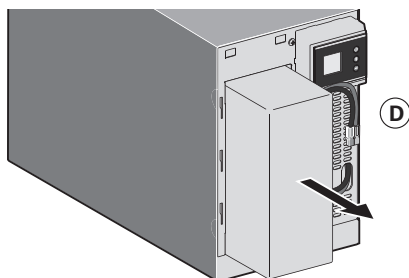
A - Remove the front panel.



B - Disconnect the battery-module by separating the town connectors (never pull on the wires).



C - Remove the plastic protection cover in front of the battery (one screw).



D - Pull the plastic tab to remove the battery block and replace it.

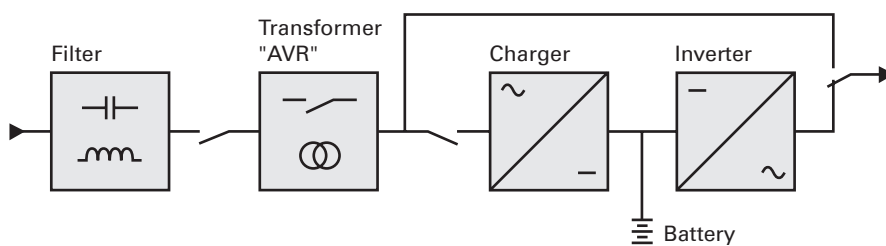
Mounting the new battery module

Carry out the above instructions in reverse order.



- To ensure safety and high performance, use only batteries supplied by EATON.
- Take care to firmly press together the two parts of the connector during remounting.

6.1 Technical specifications

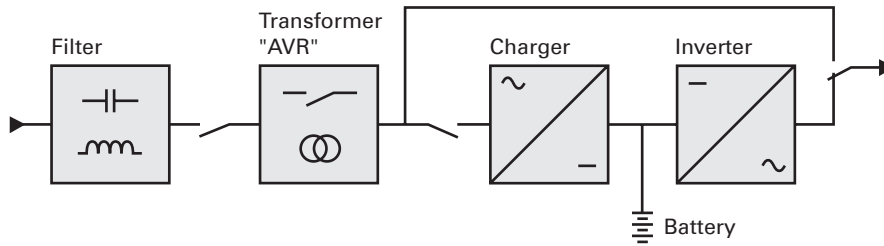


	5SC 500	5SC 750	5SC 1000	5SC 1500
Output Power @ 120 V	500 VA 350 W	750 VA 525 W	1000 VA 700 W	1440 VA 1080 W
Output Power @ 110V	460 VA 325 W	690 VA 485 W	920 VA 645 W	1320 VA 990 W
Output Power @ 100 V	415 VA 290 W	620 VA 435 W	830 VA 580 W	1200 VA 900 W
AC Input power				
• Rated input voltage	Single phase 100-120 V			
• Input voltage range	96 to 144 V			
• Input frequency range	45 to 55 Hz (50 Hz system), 55 to 65 Hz (60 Hz system)			
Output on battery power				
• Voltage	100/110/120 V (-10/+6 %) ⁽¹⁾			
• Frequency	50/60 Hz ±0.1 Hz			
Battery (sealed lead acid, maintenance free)				
• Standard	1 x 12 V 9 Ah	2 x 12 V 7 Ah	2 x 12 V 9 Ah	3 x 12 V 9 Ah
Environment				
• Operating temperature range	0 to 35 °C / 32 to 95 °F			
• Storage temperature range	-15 to +40 °C / 5 to 104 °F			
• Relative humidity	0 to 90 % (without condensation)			
• Noise level	< 40 dBA in normal mode			

(1) Adjustable to 100/110/120 V, must be set to the identical AC power source value.

For 5SC Models - "CAUTION -To reduce the risk of fire, connect only to a circuit provided with 20 amperes maximum branch circuit overcurrent protection in accordance with the National Electric Code, ANSI/NFPA 70".

6. Appendices



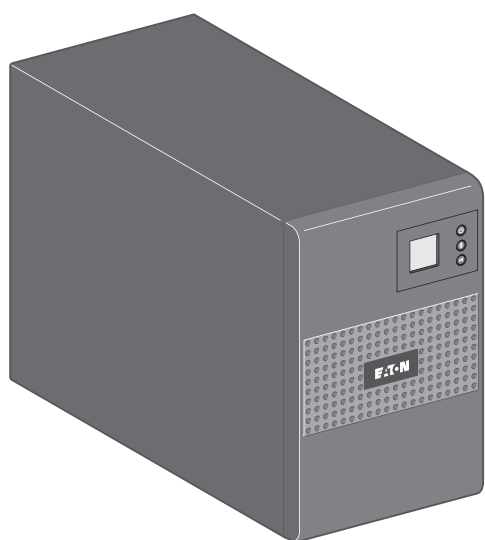
	5SC 500G	5SC 750G	5SC 1500G
Output Power @ 230 V	500 VA 350 W	750 VA 525 W	1500 VA 1050 W
AC Input power			
• Rated input voltage	Single phase 220-240 V		
• Input voltage range	184 to 276 V		
• Input frequency range	45 to 55 Hz (50 Hz system), 55 to 65 Hz (60 Hz system)		
Output on battery power			
• Voltage	220/230/240 V (-10/+6 %) ⁽¹⁾		
• Frequency	50/60 Hz ±0.1 Hz		
Battery (sealed lead acid, maintenance free)			
• Standard	1 x 12 V 9 Ah	2 x 12 V 7 Ah	3 x 12 V 9 Ah
Environment			
• Operating temperature range	0 to 35 °C / 32 to 95 °F		
• Storage temperature range	-15 to +40 °C / 5 to 104 °F		
• Relative humidity	0 to 90 % (without condensation)		
• Noise level	< 40 dBA in normal mode		

(1) Adjustable to 220/230/240 V, must be set to the identical AC power source value.

When the appliance is used in EU area, use an external circuit breaker in front of line with rating 16 A, 250 V which is IEC/EN 60898-1 standard compliant;

When the appliance is used in America area, use an external circuit breaker in front of line with rating 20 A, 250 V.

This product is designed for IT power distribution system.



Manuel d'installation et d'utilisation

5SC 500
5SC 750
5SC 1000
5SC 1500
5SC 500G
5SC 750G
5SC 1500G

Copyright © 2013 EATON
Tous droits réservés.

SAV et assistance :
Contacter votre représentant SAV local

619-00470-02-us (fr)

CONSIGNES IMPORTANTES DE SÉCURITÉ

GARDEZ CES CONSIGNES. Ce manuel contient des consignes importantes à suivre durant l'installation et la maintenance des ASI et des batteries.

Les modèles 5SC abordés dans ce manuel sont destinés à une installation dans un environnement exempt de contaminants conducteurs et dont la température est comprise entre 0 et 35 °C / 32 et 95 °F.

Cet équipement a été testé et déclaré conforme aux limites fixées pour un appareil numérique de classe A, suivant la section 15 des réglementations de la FCC. Ces limites sont destinées à garantir une protection raisonnable contre les interférences nuisibles lorsque l'équipement est utilisé dans un environnement commercial. Cet équipement génère, utilise et peut dégager une énergie en radiofréquence et, s'il n'est pas installé et utilisé conformément au manuel d'instructions, il peut être à l'origine d'interférences nuisibles dans les communications radio. Le fonctionnement de cet équipement dans une zone résidentielle est susceptible de provoquer des interférences nuisibles, auquel cas l'utilisateur devra corriger les interférences à ses propres frais.

Normes de certification

- Directives relatives aux systèmes ASI : UL 1778 4^{ème} édition (homologué UL).
- Performances : CEI 62040-3: 2001.
- Rayonnement émis : FCC CFR 47 section 15, sous-section B, classe A, VCCI.
- Résistance aux surtensions : IEEE ANSI C62.41 catégorie A2 (homologué UL).

VCCI Notice

この装置は、情報処理装置等電波障害自主規制協議会（VCCI）の基準に基づくクラスA情報技術装置です。この装置を家庭環境で使用すると電波妨害を引き起こすことがあります。この場合には使用者が適切な対策を講ずるよう要求されることがあります。

Symboles spéciaux

Les symboles ci-après sont des exemples de symboles utilisés sur l'ASI ou les accessoires pour vous avertir d'informations importantes :



RISQUE DE CHOC ELECTRIQUE - Observez l'avertissement associé au symbole de risque de choc électrique.



Instructions importantes devant toujours être suivies.



Ne pas jeter l'ASI ni les batteries de l'ASI dans les ordures ménagères.

Ce produit contient des batteries au plomb scellées à éliminer conformément aux instructions du présent manuel.

Pour plus d'informations, contactez votre centre local de recyclage/réutilisation de déchets dangereux.



Ce symbole indique que vous ne devez pas jeter des équipements électriques ou électroniques usagés dans les ordures ménagères. Pour plus d'informations, contactez votre centre local de recyclage/réutilisation de déchets dangereux.



Information, conseil, aide.

Sécurité des personnes

- Le système est muni de sa propre source d'alimentation (la batterie). Les prises d'alimentation peuvent donc être énergisées même si le système n'est pas branché à une source d'alimentation CA.
- Le système comporte des niveaux de tension dangereux. Pour cette raison, seul le personnel qualifié peut l'ouvrir.
- Le système doit être mis à la terre correctement.
- La batterie fournie avec le système contient de petites quantités de matières toxiques. Pour éviter les accidents, respectez les directives suivantes :
 - la réparation des batteries doit être réalisée ou supervisée par du personnel disposant de connaissances sur les batteries et maîtrisant les précautions requises.
 - lors du remplacement, remplacez les batteries ou kits de batteries par des articles du même type et en même nombre.
 - ne pas éliminer les batteries en les jetant au feu. Les batteries risquent d'exploser.
 - les batteries constituent un danger (chocs électrique, brûlures). Le courant de court-circuit peut être très élevé.

Des précautions doivent être prises pour toutes les manipulations :

- Porter des gants et des bottes en caoutchouc.
- Ne pas poser d'outils ni de pièces métalliques sur les batteries.
- Débrancher la source de charge avant de brancher ou débrancher les bornes de la batterie.
- Déterminer si la batterie est mise à la terre par inadvertance. Si elle est mise à la terre par inadvertance, débrancher la source de la terre. Tout contact avec une partie d'une batterie mise à la terre peut occasionner un choc électrique. La probabilité d'un tel choc peut être réduite si les prises de terre sont débranchées pendant l'installation et la maintenance (applicable aux équipements et alimentations de batterie distantes sans circuit d'alimentation mis à la terre).

Sécurité du produit

- Suivez les instructions de branchement et d'utilisation de l'UPS dans l'ordre indiqué dans le manuel.
- Il faut installer un disjoncteur de protection facilement accessible en amont. Il est possible de couper l'alimentation CA du système par le disjoncteur.
- Assurez-vous que les indications de la plaque signalétique correspondent à votre système alimenté par une source CA et à la consommation électrique de tout l'équipement à raccorder au système.
- Pour les EQUIPEMENTS RACCORDABLES, la prise de courant doit être installée à proximité des équipements et être facilement accessible.
- N'installez jamais le système près de liquide ou dans un environnement excessivement humide.
- Ne laissez jamais un corps étranger entrer dans le système.
- Ne bloquez jamais les grilles de ventilation du système.
- N'exposez jamais le système à la lumière directe du soleil ou à une source de chaleur.
- Si vous devez entreposer le système avant de l'utiliser, entreposez-le dans un endroit sec.
- La plage de températures appropriées pour l'entreposage du système est de -15 °C à +40 °C / 5 à 104 °F.
- Ce système ne doit pas être utilisé dans une salle informatique.

Précautions spéciales

- Toute les manipulations requièrent au moins deux personnes (déballage, installation dans un bâti).
- Avant et après l'installation, si l'UPS demeure hors-tension pendant une longue période, mettez-le sous tension pendant 24 heures au moins une fois tous les six mois (à une température d'entreposage normale de moins de 25 °C / 77 °F). Vous chargez ainsi la batterie et évitez des dommages irréparables.
- Durant le remplacement de la batterie, il est essentiel d'utiliser le même type et le même nombre d'éléments que la batterie originale, fournie avec l'UPS, afin d'obtenir le même niveau de rendement et de sécurité. En cas de doute, n'hésitez pas à communiquer avec votre représentant EATON.

1. Introduction.....	6
1.1 Respect de l'environnement	6
2. Présentation	7
2.1 Position standard	7
2.2 Faces arrière	7
2.3 Panneau de commande et d'affichage	8
2.4 Description de l'écran LCD.....	8
2.5 Réglage de l'ASI à l'aide de l'afficheur LCD	9
3. Installation	10
3.1 Déballage et vérification du contenu	10
3.2 Branchement du module de batterie.....	10
3.3 Ports de communication.....	11
4. Fonctionnement.....	12
4.1 Mise en service et fonctionnement normal.....	12
4.2 Démarrage de l'ASI sur batterie	12
4.3 Arrêt de l'ASI	12
4.4 Fonctionnement sur batterie	12
4.5 Retour du réseau électrique	12
5. Maintenance	13
5.1 Dépannage	13
5.2 Remplacement du module batterie	14
6. Annexes	15
6.1 Spécifications techniques.....	15

1. Introduction

Nous vous remercions d'avoir choisi un produit EATON pour la sécurité de vos applications.

La gamme 5SC a été élaborée avec le plus grand soin.

Pour exploiter au mieux les performances de votre ASI (Alimentation Sans Interruption), nous vous conseillons de prendre le temps de lire ce manuel.

Avant l'installation de 5SC, lire le livret qui présente les consignes de sécurité à respecter. Suivre ensuite les instructions du présent manuel.

Nous vous invitons à découvrir l'offre de EATON ainsi que les options de la gamme 5SC en visitant notre site Web : www.eaton.com/powerquality, ou en contactant votre représentant EATON.

1.1 Respect de l'environnement


La société EATON s'est engagée dans une politique de protection et de préservation de l'environnement. Nos produits sont développés selon une démarche d'éco-conception.


Substances

Ce produit ne contient ni de CFC, ni de HCFC, ni d'amiante.

Emballage

Pour améliorer le traitement des déchets et faciliter le recyclage, séparer les éléments de l'emballage.

- Le carton est composé de plus de 50% de carton recyclé.
- Les sacs et sachets sont en polyéthylène.
- Les matériaux constituant l'emballage sont recyclables et marqués du symbole d'identification .

Matériaux	Abréviations	Numéro dans les symboles	
Polyéthylène Téréphthalate	PET	01	
Polyéthylène Haute Densité	HDPE	02	
Polyvinyle Chloride	PVC	03	
Polyéthylène Basse Densité	LDPE	04	
Polypropylène	PP	05	
Polystyrène	PS	06	

Suivre les réglementations locales en vigueur pour l'élimination de l'emballage.

Fin de vie

La société EATON s'est engagée à traiter les produits en fin de vie selon les réglementations locales.

EATON travaille avec des sociétés en charge de la collecte et de l'élimination de nos produits en fin de vie.

Produit

Le produit est composé de matériaux recyclables. Son démantèlement et sa destruction doivent se faire en accord avec les réglementations locales en vigueur concernant les déchets.

Le produit en fin de vie doit être déposé dans un centre de traitement des déchets électriques et électroniques.

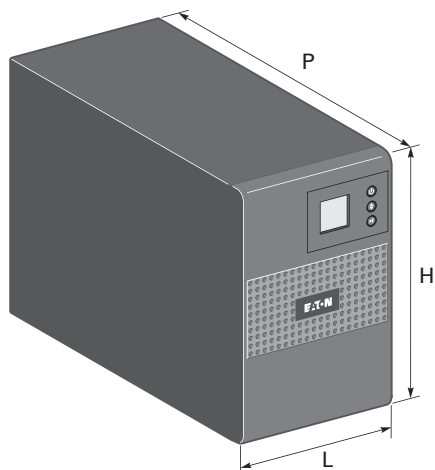
Batterie

Le produit contient des batteries au plomb qui doivent être traitées suivant les réglementations locales en vigueur concernant les batteries.

Pour suivre ces réglementations et éliminer la batterie de manière propre, il est possible de l'extraire du produit.

2. Présentation

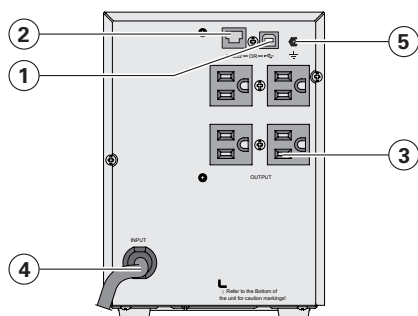
2.1 Position standard



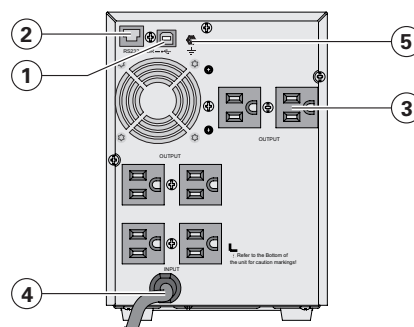
Description	Poids (lb/kg)	Dimensions (inch/mm) P x L x H
5SC 500	15.0 / 6.8	9.4 x 5.9 x 8.3 / 240 x 150 x 210
5SC 750	23.6 / 10.7	13.4 x 5.9 x 8.3 / 340 x 150 x 210
5SC 1000	25.1 / 11.4	13.4 x 5.9 x 8.3 / 340 x 150 x 210
5SC 1500	34.4 / 15.6	16.1 x 5.9 x 8.3 / 410 x 150 x 210
5SC 500G	14.6 / 6.6	9.4 x 5.9 x 8.3 / 240 x 150 x 210
5SC 750G	22.9 / 10.4	13.4 x 5.9 x 8.3 / 340 x 150 x 210
5SC 1500G	33.5 / 15.2	16.1 x 5.9 x 8.3 / 410 x 150 x 210

2.2 Faces arrière

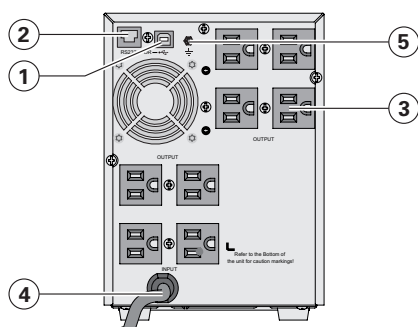
5SC 500



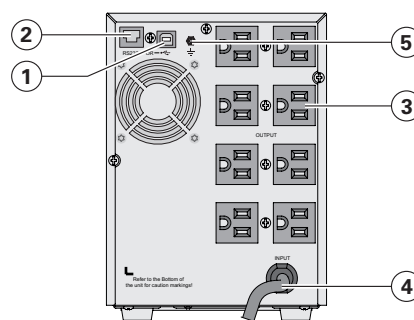
5SC 750



5SC 1000



5SC 1500

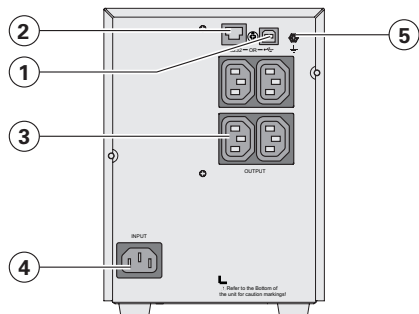


- (1) Port de communication USB
- (2) Port de communication RS232
- (3) Prises pour le raccordement des équipements critiques
- (4) Cordon d'alimentation d'entrée fixé de 1,8 m pour source
- (5) Vis de mise à la terre

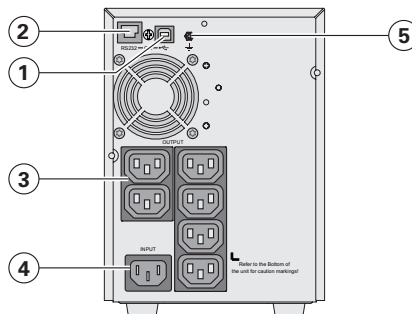
2. Présentation

2.2 Faces arrière

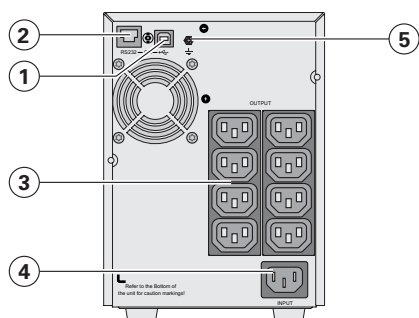
5SC 500G



5SC 750G



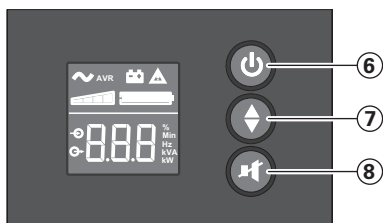
5SC 1500G



- (1) Port de communication USB
- (2) Port de communication RS232
- (3) Prises pour le raccordement des équipements critiques
- (4) Prise pour le raccordement au réseau électrique d'alimentation
- (5) Vis de mise à la terre

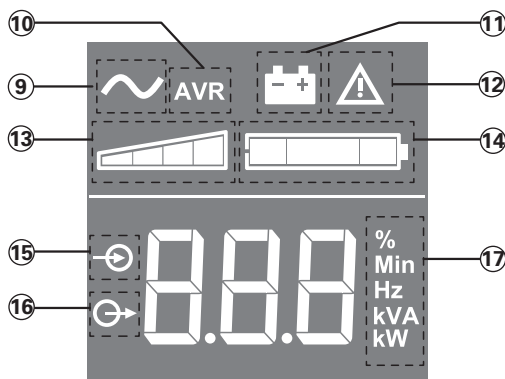
2.3 Panneau de commande et d'affichage

L'ASI comporte un afficheur LCD à trois boutons. Celui-ci fournit des informations utiles sur l'ASI lui-même, l'état de charge, les événements, les mesures et les paramètres.



- (6) Bouton MARCHE/ARRÊT
- (7) Défilement
- (8) Désactivation d'alarme

2.4 Description de l'écran LCD

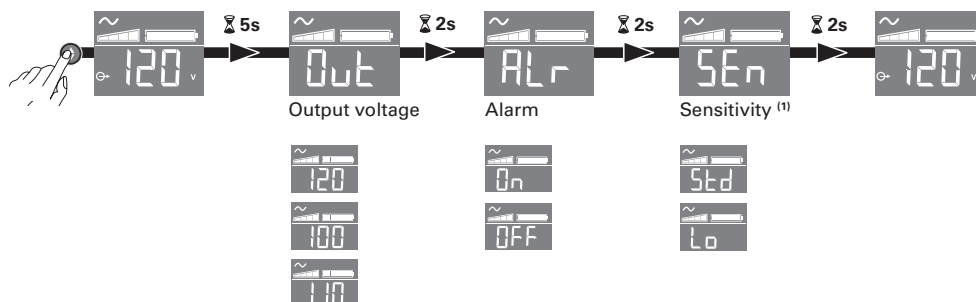


- (9) ASI en fonctionnement
- (10) Mode AVR
- (11) Mode batterie
- (12) Défaut interne
- (13) Niveau de charge en sortie
- (14) Niveau de batterie
- (15) Mesures en entrée
- (16) Mesures en sortie
- (17) Unité de mesure

2.5 Réglage de l'ASI à l'aide de l'afficheur LCD

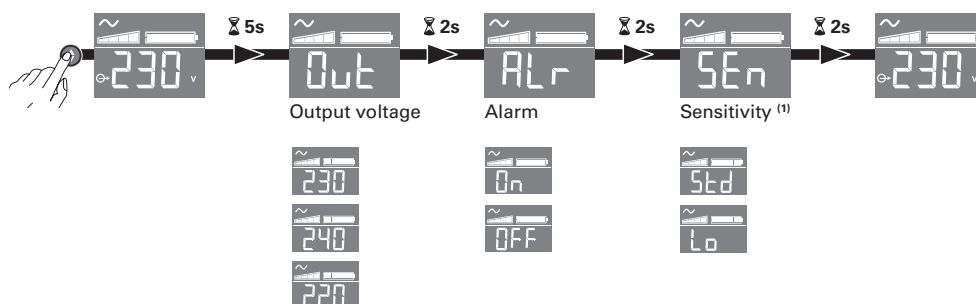
5SC 500 / 750 / 1000 / 1500

Relâcher le bouton de défilement pour sélectionner le menu



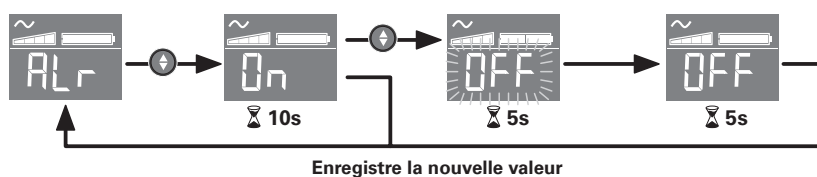
5SC 500G / 750G / 1500G

Relâcher le bouton de défilement pour sélectionner le menu



(1) En mode faible sensibilité (Lo) l'onduleur tolère plus de fluctuations de l'alimentation secteur et bascule moins souvent sur batterie. Si la charge connectée est sensible aux perturbations de l'alimentation, laissez la sensibilité sur Normal (Std).

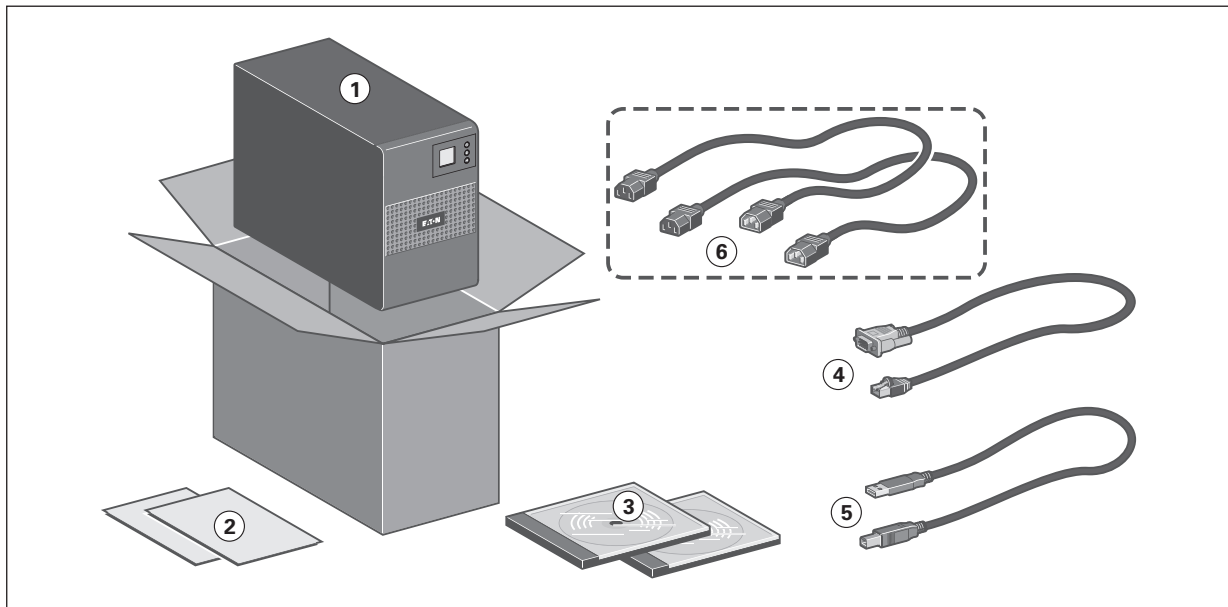
Exemple de réglage



- L'afficheur LCD s'éteint après 3 minutes d'inactivité.

3. Installation

3.1 Déballage et vérification du contenu



(1) ASI 5SC

(2) Guide de démarrage rapide et instructions de sécurité

(3) Manuel de l'utilisateur et CD-ROM IPSS (Intelligent Power Software Suite)

(4) Câble de communication RS232

(5) Câble de communication USB

(6) 2 câbles de raccordement pour les équipements protégés (modèles 500G, 750G et 1500G)



Les emballages doivent être éliminés conformément aux réglementations en vigueur concernant les déchets.

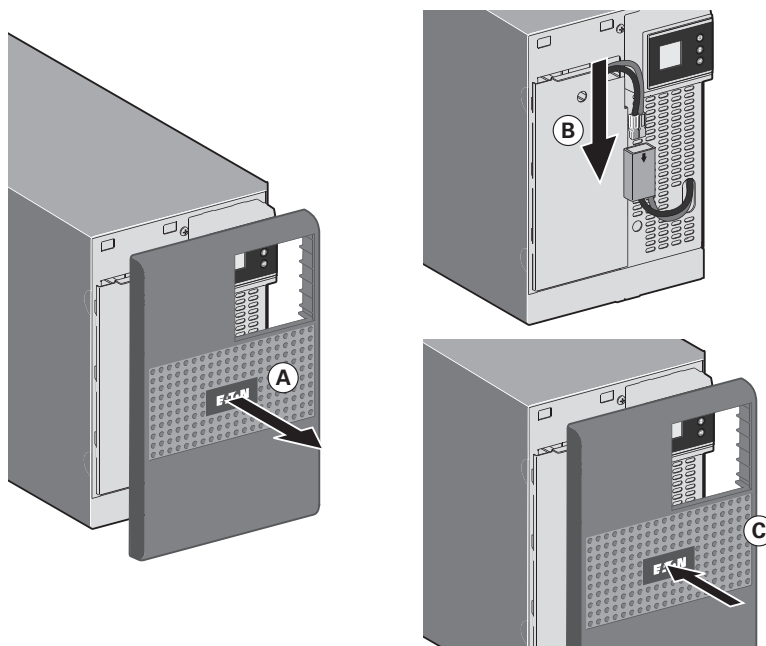
Ils portent des symboles de recyclage pour faciliter le tri.

3.2 Branchement du module de batterie

Attention : avant de démarrer l'ASI, brancher la batterie.

Remarque : un petit arc électrique peut se former lors du branchement des batteries.

Ce phénomène normal n'endommage pas l'ASI et ne présente aucun risque par rapport à la sécurité.



A - Retirer la face avant.

B - Brancher le module batterie
(ne jamais tirer sur les câbles).

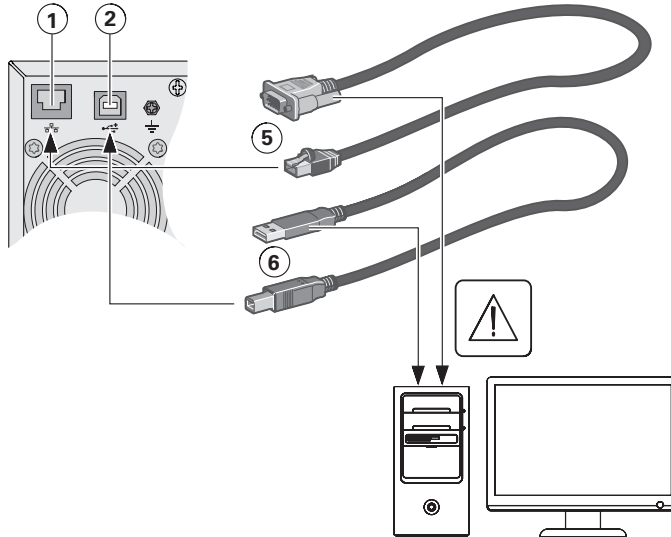
C - Remettre en place la face avant.

3. Installation

3.3 Ports de communication

Raccordement du port de communication RS232 ou USB

Le port de communication RS232 et le port de communication USB ne peuvent fonctionner simultanément.






1. Connecter le câble de communication RS 232 (5) ou USB (6) sur le port série ou USB de l'équipement informatique.
2. Connecter l'autre extrémité du câble de communication (5) ou (6) sur le port de communication USB (2) ou RS232 (1) de l'ASI.

L'ASI peut désormais dialoguer avec un logiciel d'administration, de personnalisation ou de sécurité EATON.

4. Fonctionnement

4.1 Mise en service et fonctionnement normal

Pour démarrer l'ASI :



1. Vérifier que le cordon d'alimentation de l'ASI est connecté.
2. Appuyer sur le bouton  sur la face avant de l'ASI pendant au moins 2 secondes.
3. Vérifiez l'absence d'alarmes actives sur le panneau avant de l'ASI.
Si l'indicateur  est allumé, ne pas continuer tant qu'il reste des alarmes actives.
Corriger les alarmes et redémarrer si nécessaire.
4. Vérifier que le voyant  s'allume en permanence, en indiquant que l'ASI fonctionne normalement et que toutes les charges sont sous tension et protégées.

4.2 Démarrage de l'ASI sur batterie





Avant d'utiliser cette fonction, l'ASI doit avoir été mise sous tension avec le réseau présent au moins une fois.

Pour démarrer l'ASI sur la batterie :

1. Appuyer sur le bouton  sur le panneau avant de l'ASI jusqu'à ce que l'écran s'allume.
L'ASI passe du mode Veille au mode Batterie. Le voyant  est allumé en continu.
L'ASI alimente votre équipement.
2. Vérifiez l'absence d'alarmes actives sur le panneau avant de l'ASI. Les problèmes ayant généré des alarmes doivent d'abord être résolus. Voir la section "Dépannage" à la page 10.


4.3 Arrêt de l'ASI

Pour arrêter l'ASI :

1. Appuyer pendant trois secondes sur le bouton  sur la face avant.
L'ASI commence à émettre un signal sonore. L'ASI passe alors en mode Veille et l'indicateur  s'éteint.

4.4 Fonctionnement sur batterie

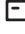
Transfert sur batterie

- Les équipements connectés continuent à être alimentés par l'ASI quand le réseau électrique n'est plus disponible. L'énergie fournie provient de la batterie.
- L'indicateur  est allumé en permanence.
- L'alarme sonore émet un bip toutes les 10 secondes.



Les équipements connectés sont alimentés à partir de la batterie.

Seuil de préalarme de fin d'autonomie batterie

- L'indicateur  est allumé en permanence.
- L'alarme sonore émet un bip toutes les 3 secondes.



L'autonomie batterie restante est faible. Fermer toutes les applications des équipements connectés car l'arrêt automatique de l'ASI est imminent.

Fin d'autonomie batterie

- Tous les voyants s'éteignent.
- L'alarme sonore s'arrête.

4.5 Retour du réseau électrique

Après la coupure, l'ASI redémarre automatiquement au retour du réseau électrique (à moins que cette fonction n'ait été désactivée via la personnalisation de l'ASI) et les équipements sont à nouveau alimentés.

5. Maintenance

5.1 Dépannage

Etat de fonctionnement	Cause possible	Action
Surcharge OL	Les besoins en alimentation dépassent la capacité de l'ASI (supérieurs à 105 % de la capacité nominale)	Débrancher certains équipements de l'ASI. L'ASI continue de fonctionner mais peut s'arrêter si la charge augmente. L'alarme est réinitialisée lorsque l'état devient inactif.
Défaut de câblage du site SF	Un défaut de câblage du site s'est produit. La prise sur laquelle l'ASI est branchée n'est pas correctement mise à la terre ou câblée.	Faites réparer le câblage par un électricien qualifié.
Défaut de court-circuit SC	Un court-circuit s'est produit.	Vérifiez le branchement de l'application ou son intégrité. Si l'erreur persiste, notez le message d'alarme et le numéro de série de l'ASI, puis contactez votre SAV.
Défaut de batterie BAT	Les batteries sont déconnectées de l'ASI.	Vérifiez que toutes les batteries sont correctement branchées. Si l'erreur persiste, notez le message d'alarme et le numéro de série de l'ASI, puis contactez votre SAV.
	La fin de vie de la batterie est atteinte.	Contactez votre représentant SAV pour le remplacement de la batterie.
Défaut de ventilateur FAn	Le ventilateur de l'ASI est défaillant.	Vérifiez qu'aucun objet ne bloque le ventilateur. Si l'erreur persiste, notez le message d'alarme et le numéro de série de l'ASI, puis contactez votre SAV.
Défaut du chargeur Chr	Le chargeur de l'ASI est défaillant.	L'ASI ne charge plus la batterie. Relever le message d'alarme et le numéro de série de l'ASI, puis contactez votre représentant SAV.

5. Maintenance

5.2 Remplacement du module batterie

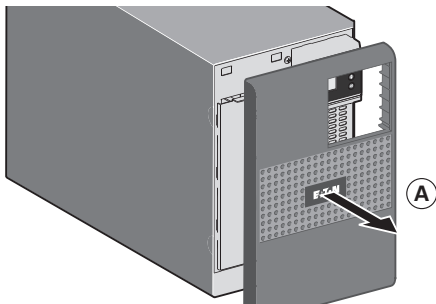
Rappel sur les consignes de sécurité

La batterie présente un risque d'électrocution et un courant de court-circuit élevé. Les précautions suivantes doivent être prises pour toute intervention sur les éléments batterie :

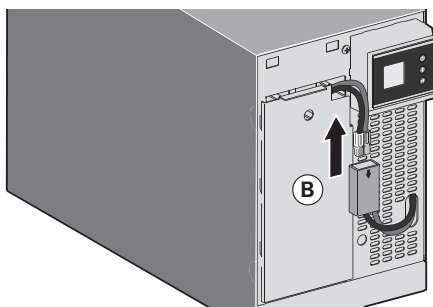
- ôter des mains montres, bagues, alliances, bracelets ou tout autre objet métallique,
- utiliser des outils dont le manche est isolé.

Remplacement des batteries sur les modèles tours

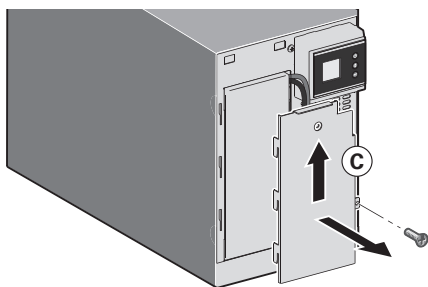
Cette opération doit être réalisée une fois l'ASI mise hors tension et débranchée du secteur.



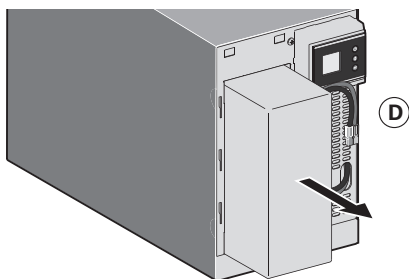
A - Retirer la face avant.



B - Débrancher le bloc batterie en séparant les 2 connecteurs (ne jamais tirer sur les câbles).



C - Enlever le capot plastique de protection batterie fixé par 1 vis.



D - Extraire le module batterie en tirant sur la languette plastique et procéder à son remplacement.

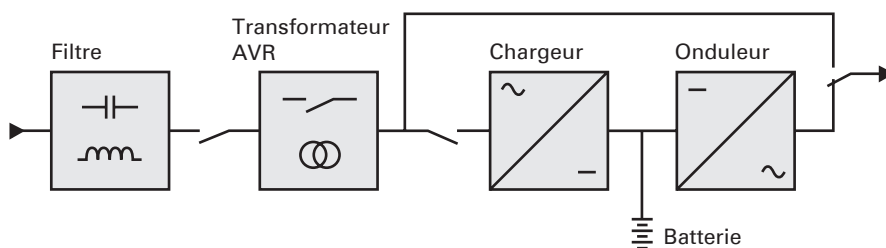
Installation du nouveau module batterie

Réaliser les opérations décrites ci-dessus en sens inverse.



- Pour préserver la sécurité et le même niveau de performance, utiliser des éléments batterie fournis par EATON.
- Veiller à bien enfoncer les parties mâle et femelle du connecteur lors du raccordement.

6.1 Spécifications techniques



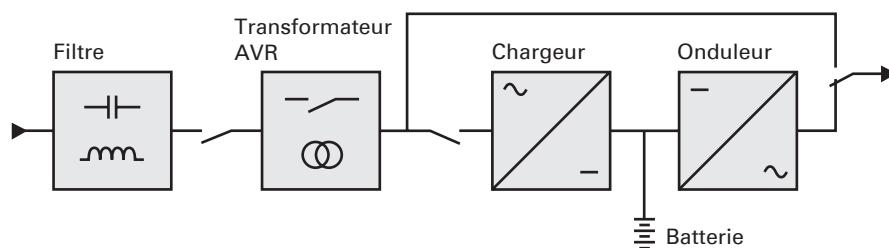
	5SC 500	5SC 750	5SC 1000	5SC 1500
Puissance de sortie @ 120 V	500 VA 350 W	750 VA 525 W	1000 VA 700 W	1440 VA 1080 W
Puissance de sortie @ 110V	460 VA 325 W	690 VA 485 W	920 VA 645 W	1320 VA 990 W
Puissance de sortie @ 100 V	415 VA 290 W	620 VA 435 W	830 VA 580 W	1200 VA 900 W
Réseau électrique d'alimentation				
• Tension d'entrée nominale	Monophasée 100-120 V			
• Plage de tension d'entrée	96 à 144 V			
• Plage de fréquence d'entrée	45 à 55 Hz (50 Hz réseau), 55 à 65 Hz (60 Hz réseau)			
Sortie en mode batterie				
• Tension	100/110/120 V (-10/+6 %) ⁽¹⁾			
• Fréquence	50/60 Hz ±0.1 Hz			
Batterie (au plomb étanche sans entretien)				
• Standard	1 x 12 V 9 Ah	2 x 12 V 7 Ah	2 x 12 V 9 Ah	3 x 12 V 9 Ah
Environnement				
• Température de fonctionnement	0 à 35 °C / 32 à 95 °F			
• Température de stockage	-15 à +40 °C / 5 à 104 °F			
• Humidité relative	0 à 90 % (sans condensation)			
• Niveau de bruit	< 40 dBA en mode normal			

(1) Ajustable sur 100/110/120 V, doit être défini sur la valeur identique du réseau électrique d'alimentation.

Lorsque l'appareil est utilisé dans la zone UE, utilisez un disjoncteur externe en début de ligne avec une tension nominale de 16 A, 250 V conformément à la norme CEI/EN 60898-1 ;

Lorsque l'appareil est utilisé en Amérique, utilisez un disjoncteur externe en début de ligne avec une tension nominale de 20 A, 250 V.

6. Annexes



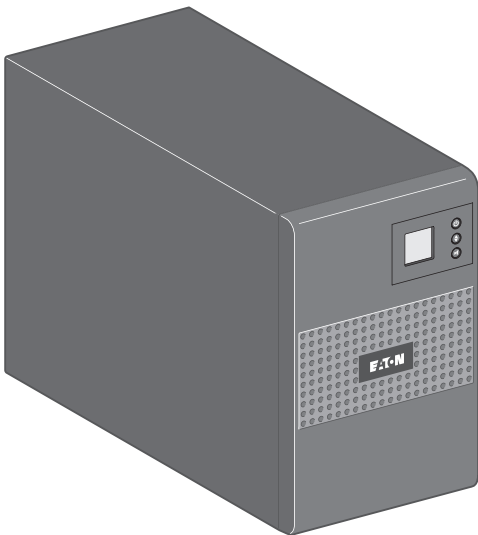
	5SC 500G	5SC 750G	5SC 1500G
Puissance de sortie @ 230 V	500 VA 350 W	750 VA 525 W	1500 VA 1050 W
Réseau électrique d'alimentation			
• Tension d'entrée nominale	Monophasée 220-240 V		
• Plage de tension d'entrée	184 à 276 V		
• Plage de fréquence d'entrée	45 à 55 Hz (50 Hz réseau), 55 à 65 Hz (60 Hz réseau)		
Sortie en mode batterie			
• Tension	220/230/240 V (-10/+6 %) ⁽¹⁾		
• Fréquence	50/60 Hz ±0.1 Hz		
Batterie (au plomb étanche sans entretien)			
• Standard	1 x 12 V 9 Ah	2 x 12 V 7 Ah	3 x 12 V 9 Ah
Environnement			
• Température de fonctionnement	0 à 35 °C / 32 à 95 °F		
• Température de stockage	-15 à +40 °C / 5 à 104 °F		
• Humidité relative	0 à 90 % (sans condensation)		
• Niveau de bruit	< 40 dBA en mode normal		

(1) Ajustable sur 220/230/240 V, doit être défini sur la valeur identique du réseau électrique d'alimentation.

Lorsque l'appareil est utilisé dans la zone UE, utilisez un disjoncteur externe en début de ligne avec une tension nominale de 16 A, 250 V conformément à la norme CEI/EN 60898-1 ;

Lorsque l'appareil est utilisé en Amérique, utilisez un disjoncteur externe en début de ligne avec une tension nominale de 20 A, 250 V.

Ce produit est conçu pour les systèmes de distribution de puissance IT.



Manual de instalación y del usuario

5SC 500
5SC 750
5SC 1000
5SC 1500
5SC 500G
5SC 750G
5SC 1500G

Copyright © 2013 **EATON**
Todos los derechos reservados.

Servicio y asistencia:
Llame a su representante de servicio local.

619-00470-02-us (es)

INSTRUCCIONES IMPORTANTES DE SEGURIDAD

CONSERVE ESTAS INSTRUCCIONES. Este manual contiene instrucciones importantes que deben seguirse durante la instalación y el mantenimiento del SAI y de las baterías.

Los modelos de la serie 5SC a los que se refiere este manual están previstos para la utilización en un entorno a temperatura entre 0 y 35 °C / 32 y 95 °F, sin contaminantes conductivos.

Este equipo ha sido probado y clasificado como dispositivo digital de Clase B con arreglo al capítulo 15 de las normas de la FCC. Esta clasificación proporciona una protección moderada contra interferencias dañinas cuando el equipo se utiliza en un entorno comercial. Este equipo genera, utiliza y puede irradiar energía de radiofrecuencia y podría, en caso de no ser instalado o utilizado de acuerdo con el manual de instrucciones, causar interferencias perjudiciales en las comunicaciones de radio. El funcionamiento de este equipo en una zona residencial es susceptible de provocar interferencias dañinas, en tal caso, el usuario deberá hacerse cargo de corregir las interferencias.

Normas de certificación

- Directivas del SAI: UL 1778 - 4.ª edición (Registro de UL).
- Rendimiento: CEI 62040-3: 2001.
- Emisiones de radiación: FCC CFR 47 capítulo 15 apartado B, Clase A, VCCI.
- Capacidad de contención de sobrecargas: IEEE ANSI C62.41 Categoría A2 (Registro de UL).

VCCI Notice

この装置は、情報処理装置等電波障害自主規制協議会（VCCI）の基準に基づくクラスA情報技術装置です。この装置を家庭環境で使用すると電波妨害を引き起こすことがあります。この場合には使用者が適切な対策を講ずるよう要求されることがあります。

Símbolos especiales

A continuación, mostramos unos ejemplos de símbolos usados en las unidades SAI o en los accesorios para avisarle de información importante:



RIESGO DE DESCARGA ELÉCTRICA: observe el aviso asociado al símbolo de riesgo de descarga eléctrica.



Instrucciones a seguir obligatoriamente.



Cuando deba desechar el SAI o sus baterías, no los mezcle con los residuos urbanos no seleccionados. Este producto contiene baterías de plomo selladas y se debe desechar tal como se describe en el presente manual.

Para más información, contacte con el centro de recogida de residuos peligrosos o de recogida selectiva local.



Este símbolo indica que no debe desechar los equipos eléctricos o electrónicos (WEEE) en el contenedor común. Para una correcta retirada, contacte con el centro de recogida de residuos peligrosos o de recogida selectiva local.



Informaciones, consejos, ayuda.

Seguridad de las personas

- El sistema cuenta con su propia fuente de alimentación (la batería). Por lo tanto, las tomas de corriente pueden estar vivas inclusive si los sistemas están desconectados de la fuente de alimentación de CA.
- El sistema cuenta con un peligroso nivel de tensión. Sólo lo deberá abrir personal capacitado de servicio.
- El sistema deberá contar con una buena puesta a tierra.
- La batería provista con el sistema contiene pequeñas cantidades de materiales tóxicos. Para evitar accidentes, se deberán seguir las siguientes directivas:
 - el servicio de las baterías debe ser efectuado o supervisado por personal experimentado en baterías y en las precauciones requeridas.
 - al reemplazar las baterías, debe hacerse con baterías o paquetes de baterías del mismo tipo y referencia.
 - no debe desecharse las baterías en el fuego. Estas pueden explosionar.
 - las baterías constituyen un peligro (choque eléctrico, quemaduras). La corriente de cortocircuito puede ser muy alta.

Debe tomarse precauciones durante toda manipulación:

- Utilice guantes y botas de caucho.
- No coloque herramientas ni piezas metálicas en la parte superior de las baterías.
- Desconecte la fuente de carga antes de conectar o desconectar los terminales de la batería.
- Compruebe si la batería ha sido puesta a tierra por inadvertencia. Si este es el caso, retire la fuente de la tierra. El contacto con toda pieza de una batería puesta a tierra puede provocar un choque eléctrico. Puede reducirse la probabilidad de dicho choque si se retira las tomas a tierra durante la instalación y el mantenimiento (aplicable a los equipos y suministros de batería a distancia que no cuenten con un circuito de suministro puesto a tierra).

Seguridad del producto

- Las instrucciones para conexión y uso de la UPS descritas en este manual deben ser seguidas en el orden indicado.
- Se debe colocar un disyuntor de protección antes de la conexión a la red en un lugar de fácil acceso. El sistema puede ser desconectado de la red de alimentación de CA abriendo este disyuntor.
- Controle que todas las indicaciones en la placa de datos coincidan con su sistema de alimentación de CA y con el consumo eléctrico real de todo el equipo conectado al sistema.
- Para EQUIPOS CONECTABLES, el enchufe-toma debe instalarse al lado del equipo, en un lugar fácilmente accesible.
- Nunca instale el sistema cerca de líquidos o en un ambiente excesivamente húmedo.
- Nunca permita que ingresen elementos extraños dentro del sistema.
- Nunca obstruya las rejillas de ventilación del sistema.
- Nunca exponga el sistema a la luz solar directa o a fuentes de calor.
- En caso que el sistema deba ser almacenado antes de su instalación, hágalo en un lugar seco.
- El rango admisible de temperatura es de -15 a +50 °C / 5 a 104 °F.
- El sistema no está pensado para utilizarse en una sala de ordenadores.

Precauciones especiales

- Todas las operaciones de manipulación requieren de dos personas como mínimo (desembalaje, instalación en un bastidor de sistema).
- Antes y después de la instalación, si la UPS se mantiene descargada por un largo período, la UPS debe ser cargada por un período de 24 horas al menos una vez cada 6 meses (con temperaturas normales de almacenamiento inferiores a 25 °C / 77 °F). Esto permite cargar la batería y evitar posibles daños irreversibles.
- Durante el reemplazo del Módulo de la batería, es imperativo utilizar el mismo tipo y número de elemento que el Módulo de batería original provisto con la UPS para mantener el mismo nivel de rendimiento y seguridad. En caso de duda, póngase inmediatamente en contacto con su representante EATON.

1. Introducción	6
1.1 Respeto medioambiental	6
2. Presentación.....	7
2.1 Instalación estándar	7
2.2 Caras traseras.....	7
2.3 Panel de control.....	8
2.4 Descripción de la pantalla LCD.....	8
2.5 Ajuste del SAI en la pantalla LCD	9
3. Instalación	10
3.1 Desembalaje y comprobación del contenido.....	10
3.2 Conexión del módulo de la batería	10
3.3 Puertos de comunicación	11
4. Funcionamiento	12
4.1 Encendido y funcionamiento normal	12
4.2 Encendido del SAI con batería.....	12
4.3 Apagado del SAI	12
4.4 Funcionamiento con batería.....	12
4.5 Vuelta de la corriente eléctrica.....	12
5. Mantenimiento	13
5.1 Corrección de anomalías	13
5.2 Sustitución del módulo de batería	14
6. Anexos	15
6.1 Especificaciones técnicas.....	15

1. Introducción

Les agradecemos que hayan optado por un producto EATON para la seguridad de sus aplicaciones.

La gama 5SC ha sido elaborada con el mayor esmero.

Para explotar al máximo las altas prestaciones de su SAI (Sistema de Alimentación Ininterrumpida), les aconsejamos que se tomen el tiempo necesario para leer este manual.

Antes de la instalación de una unidad 5SC, leerse el cuaderno con las instrucciones de seguridad a seguir. Seguir, a continuación, las instrucciones del presente manual.

Les invitamos a que descubran la oferta de EATON así como las opciones de la gama 5SC visitando nuestro sitio Web: www.eaton.com/powerquality, o poniéndose en contacto con su representante EATON.

1.1 Respeto medioambiental


La sociedad EATON se ha comprometido en aplicar una política de protección y preservación del medio ambiente. Nuestros productos han sido desarrollados siguiendo una estrategia de ecodiseño.


Sustancias

Este producto no contiene ni CFC, ni HCFC, ni amianto.

Embalaje

Para mejorar el tratamiento de los vertidos y facilitar el reciclaje, separen los elementos del embalaje.

- La caja de cartón está hecha con más de un 50% de cartón reciclado.
- Las bolsas y las bolsitas son de polietileno.
- Los materiales que forman el embalaje son reciclables y están marcados con el símbolo de identificación 

Materiales	Abreviatura	Número en el símbolos 
Polietileno teraftalate	PET	01
Polietileno de Alta Densidad	HDPE	02
Polivinilo de Cloruro	PVC	03
Polietileno de Baja Densidad	LDPE	04
Polipropileno	PP	05
Poliestireno	PS	06

Cumplir con las normativas locales vigentes para la eliminación del embalaje.

Final de vida útil

La sociedad EATON se ha comprometido en tratar los productos al final de su vida útil de acuerdo con lo dispuesto en las normativas locales. EATON trabaja con empresas encargadas de la recogida y eliminación de nuestros productos al final de su vida útil.

Producto

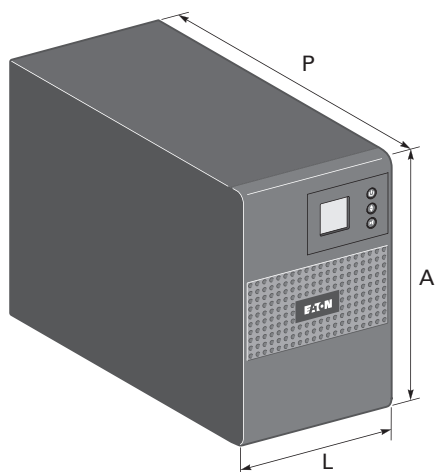
El producto está hecho con materiales reciclables. Su desmantelamiento y destrucción tendrán que realizarse conforme a lo dispuesto en las normativas locales vigentes relativas a los vertidos. El producto, al final de su vida útil, tendrá que ser depositado en un centro de tratamiento de vertidos eléctricos y electrónicos.

Batería

El producto contiene baterías de plomo que tendrán que ser tratadas conforme a lo dispuesto en las normativas locales vigentes relativas a las baterías.

Para cumplir lo dispuesto en esas normativas y eliminar la batería limpiamente, se puede extraer la misma del producto.

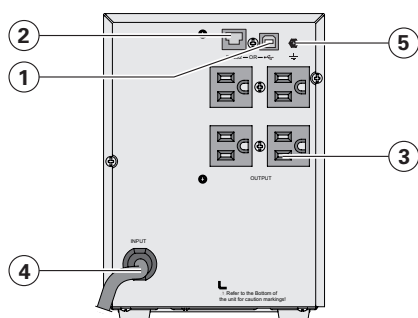
2.1 Instalación estándar



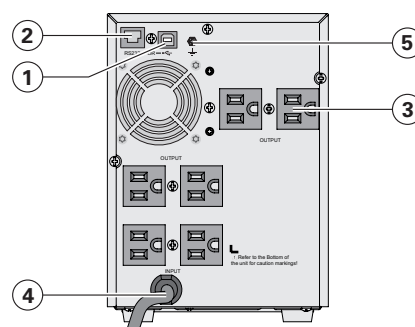
Descripción	Pesos (lb/kg)	Dimensiones (inch/mm) Prof. x Anch. x Alt. (P x L x A)
5SC 500	15.0 / 6.8	9.4 x 5.9 x 8.3 / 240 x 150 x 210
5SC 750	23.6 / 10.7	13.4 x 5.9 x 8.3 / 340 x 150 x 210
5SC 1000	25.1 / 11.4	13.4 x 5.9 x 8.3 / 340 x 150 x 210
5SC 1500	34.4 / 15.6	16.1 x 5.9 x 8.3 / 410 x 150 x 210
5SC 500G	14.6 / 6.6	9.4 x 5.9 x 8.3 / 240 x 150 x 210
5SC 750G	22.9 / 10.4	13.4 x 5.9 x 8.3 / 340 x 150 x 210
5SC 1500G	33.5 / 15.2	16.1 x 5.9 x 8.3 / 410 x 150 x 210

2.2 Caras traseras

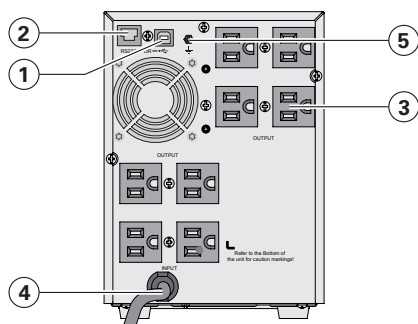
5SC 500



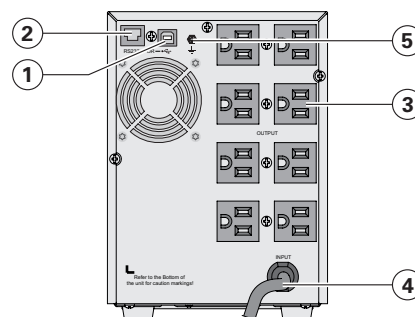
5SC 750



5SC 1000



5SC 1500

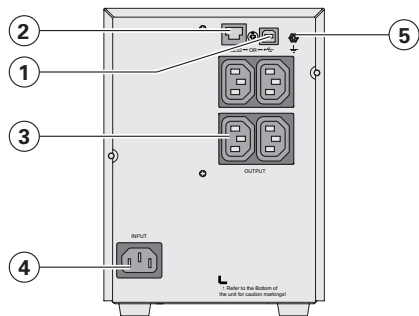


- (1) Puerto de comunicación USB
- (2) Puerto de comunicación RS232
- (3) Tomas para la conexión de equipos críticos
- (4) Cable integrado de suministro de la red eléctrica de 1.8 metros
- (5) Tornillo de puesta a tierra

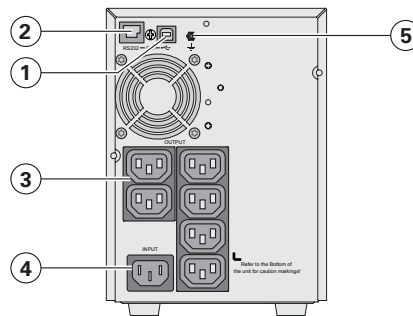
2. Presentación

2.2 Caras traseras

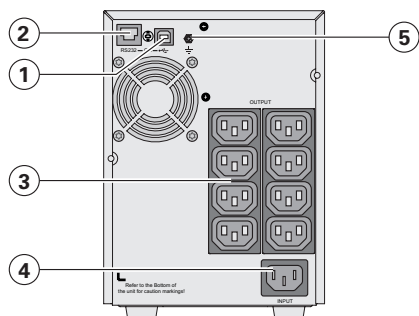
5SC 500G



5SC 750G



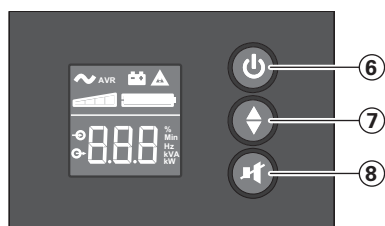
5SC 1500G



- (1) Puerto de comunicación USB
- (2) Puerto de comunicación RS232
- (3) Tomas para la conexión de equipos críticos
- (4) Toma para la conexión a la red eléctrica de alimentación
- (5) Tornillo de puesta a tierra

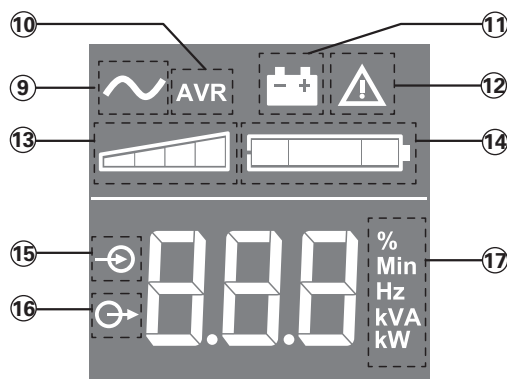
2.3 Panel de control

El SAI tiene un visualizador LCD con tres botones. Facilita información sobre el propio SAI, su estado de carga, eventos, medidas y configuración.



- (6) Botón de ENCENDIDO/APAGADO.
- (7) Desplazamiento hacia abajo
- (8) Silencio de alarma

2.4 Descripción de la pantalla LCD

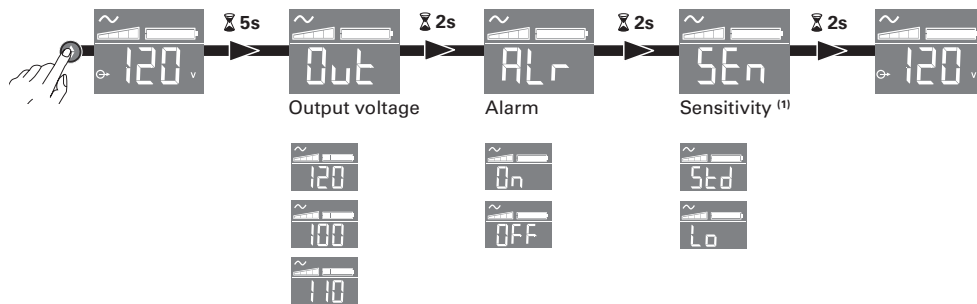


- (9) SAI conectado
- (10) Modo AVR (regulación automática de voltaje)
- (11) Modo de batería
- (12) Fallo interno
- (13) Nivel de carga de salida
- (14) Nivel de la batería
- (15) Mediciones de entrada
- (16) Mediciones de salida
- (17) Unidad de medición

2.5 Ajuste del SAI en la pantalla LCD

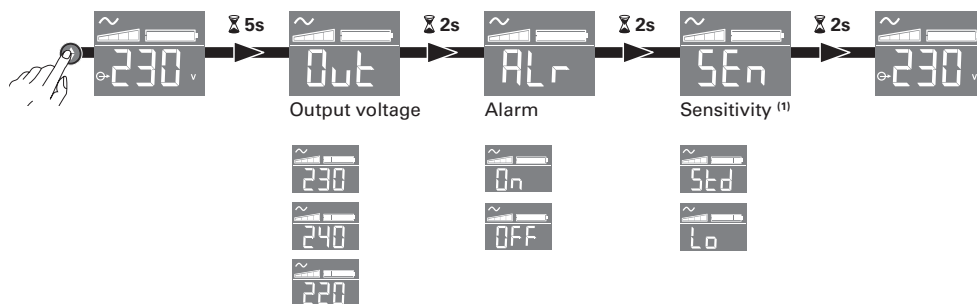
5SC 500 / 750 / 1000 / 1500

Suelte el botón de desplazamiento para seleccionar el menú



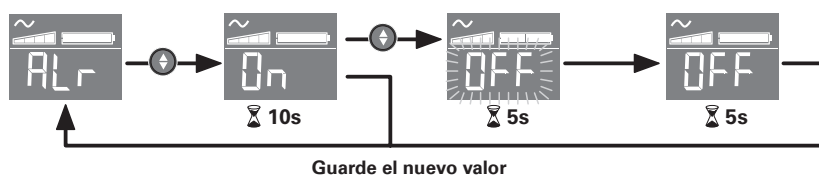
5SC 500G / 750G / 1500G

Suelte el botón de desplazamiento para seleccionar el menú



(1) Con el modo Baja sensibilidad (Lo) el SAI tolerará más fluctuaciones de energía y funcionará con energía de la batería con menos frecuencia. Si la carga conectada es sensible a las interferencias eléctricas, ajuste la sensibilidad en Normal (Std).

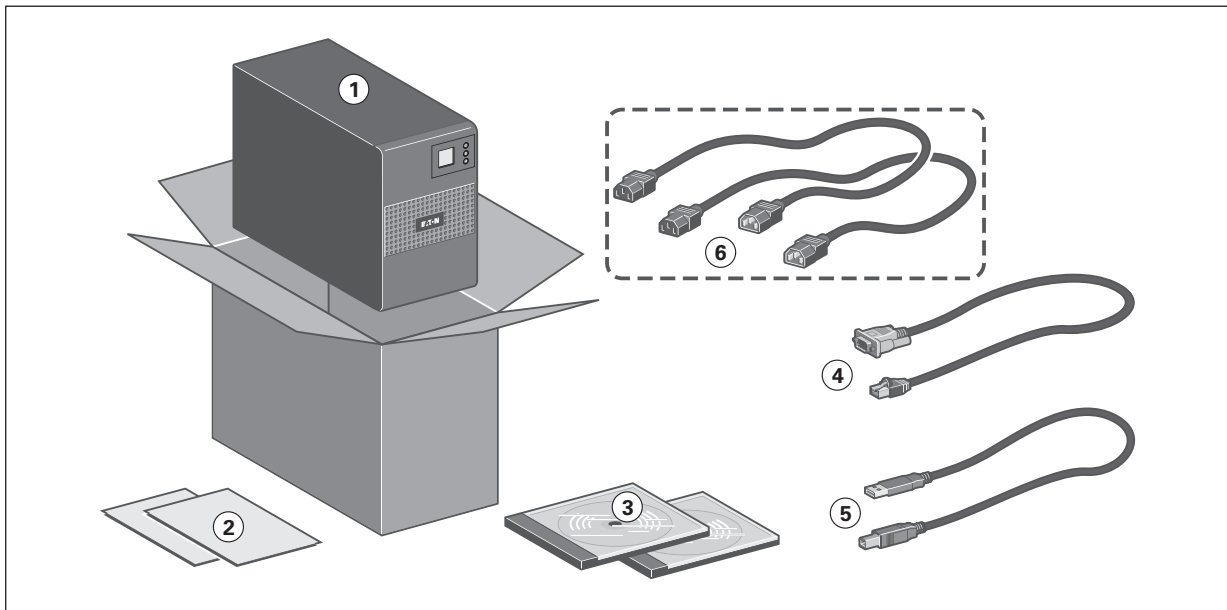
Ejemplo de ajuste



- La pantalla LCD se apagará si no registra actividad en un intervalo de tres minutos.

3. Instalación

3.1 Desembalaje y comprobación del contenido



(1) SAI 5SC

(2) Instrucciones de inicio rápido y de seguridad

(3) CD-ROM del manual del usuario e IPSS (Intelligent Power Software Suite)

(4) Cable de comunicación RS232

(5) Cable de comunicación USB

(6) 2 cables de conexión para los equipos protegidos (modelos 500G, 750G y 1500G)

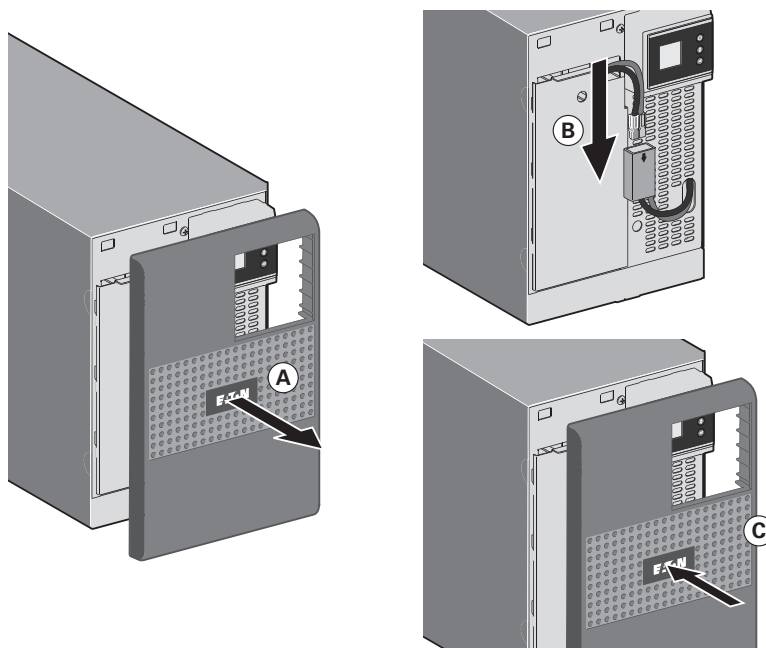


Los materiales de embalaje se deben desechar conforme a la normativa local sobre residuos. Los símbolos de reciclado están impresos en los materiales de embalaje para facilitar la selección.

3.2 Conexión del módulo de la batería

Atención: antes de encender el SAI, conecte la batería interna.

Note: puede producirse un pequeño arco eléctrico en el momento de conectar las baterías. Este fenómeno es normal y no provoca daños en el SAI ni presenta problemas de seguridad.



A - Retirar el panel delantero.

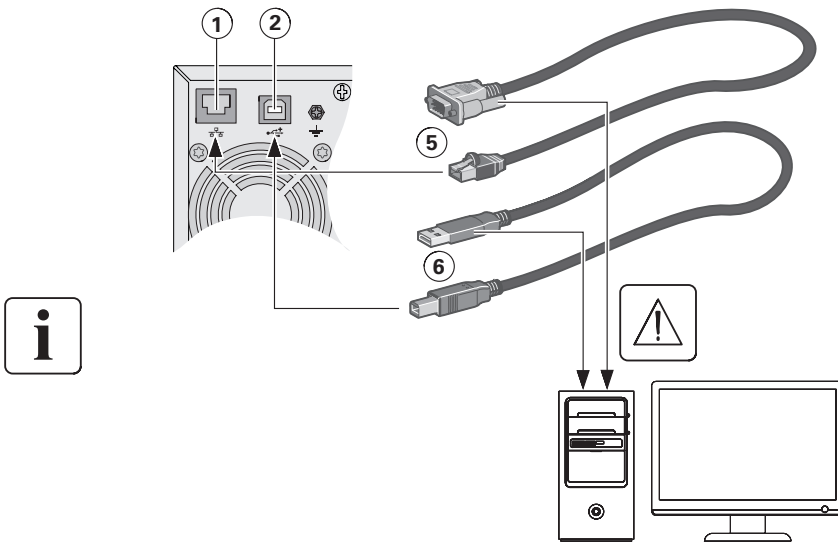
B - Conectar el módulo de la batería (no tirar nunca de los cables).

C - Colocar el panel delantero.

3.3 Puertos de comunicación

Conexión del puerto de comunicación RS232 o USB

El puerto de comunicación RS232 y el puerto de comunicación USB no pueden funcionar de forma simultánea.






1. Conectar el cable de comunicación RS232 (5) o USB (6) al puerto serie o al puerto USB del equipo informático.
2. Conectar la otra extremidad del cable de comunicación (5) o (6) al puerto de comunicación USB (2) o RS232 (1) del SAI.

El SAI ya podrá dialogar con un software de administración, de personalización o de seguridad EATON.

4. Funcionamiento

4.1 Encendido y funcionamiento normal

Para iniciar el SAI:



1. Compruebe que el cable de alimentación del SAI está enchufado.
2. Pulse el botón  del panel delantero del SAI durante al menos 2 segundos.
3. Compruebe el visualizador del panel frontal del SAI por si hubiese alarmas activas.
Si el indicador  está encendido, no siga hasta que se hayan resuelto todas las alarmas. Corrijalas y reinicie si fuera necesario.
4. Compruebe que el indicador  permanece encendido, lo que indica que el SAI funciona normalmente y que cualquier carga está alimentada y protegida.

4.2 Encendido del SAI con batería





Antes de usar esta función, el SAI se debe haber alimentado por la red eléctrica con salida activada al menos una vez.

Para iniciar el SAI con la batería:

1. Pulse el botón  del panel delantero del SAI hasta que se ilumine el visualizador. El SAI pasa del modo de espera (Standby) al modo Batería. El indicador  permanecerá encendido. El SAI suministra alimentación al equipo.
2. Compruebe el visualizador del panel frontal del SAI por si hubiese alarmas activas. Resuelva las alarmas activas antes de seguir. Consulte el apartado "Corrección de anomalías" en la página 10.


4.3 Apagado del SAI

Para apagar el SAI:

1. Pulse el botón  del panel delantero durante al menos 3 segundos. El SAI emite un pitido. El SAI pasa entonces al modo de espera y el indicador  se apaga.

4.4 Funcionamiento con batería


Cambio a batería

- Los equipos conectados siguen siendo alimentados por el SAI cuando la red eléctrica ya no está disponible. La energía suministrada procede de la batería.
- El indicador  se ilumina de forma permanente.
- La alarma acústica emite un bip cada 10 segundos.



Los equipos conectados están siendo alimentados a partir de la batería.

Umbral de prealarma de final de autonomía de la batería

- El indicador  se ilumina de forma permanente.
- La alarma acústica emite un bip cada 3 segundos.



La autonomía restante de la batería está a bajo nivel. Cerrar todas las aplicaciones de los equipos conectados ya que la parada automática del SAI es inminente.

Final de autonomía de la batería

- Todos los indicadores luminosos están apagados.
- La alarma acústica está en silencio.

4.5 Vuelta de la corriente eléctrica

Tras el corte, el SAI vuelve a arrancar automáticamente cuando vuelve la corriente eléctrica (a menos que esta función haya sido desactivada mediante la personalización del SAI) y los equipos vuelven a recibir alimentación.

5.1 Corrección de anomalías

Síntoma	Diagnóstico	Corrección
Sobrecarga OL	Los requisitos de energía exceden la capacidad del SAI (superior al 105 % del nominal).	Retire alguno de los equipos del SAI. El SAI sigue funcionando, pero se puede apagar si la carga aumenta. La alarma se restablece cuando la condición deja de estar activa.
Fallo de cableado en la instalación SF	Se ha producido un fallo de cableado en la instalación. La toma a la que está enchufado el SAI no está bien cableada o puesta a tierra.	Llame a un electricista profesional para arreglar el cableado.
Fallo de cortocircuito SC	Se ha producido un cortocircuito.	Compruebe la conexión e integridad de la aplicación. Si el error persiste, anote el mensaje de alarma y el número de serie del SAI. A continuación, póngase en contacto con su representante de servicio.
Fallo de batería BAT	Las baterías del SAI están desconectadas.	Verifique que todas las baterías estén conectadas correctamente. Si el error persiste, anote el mensaje de alarma y el número de serie del SAI. A continuación, póngase en contacto con su representante de servicio.
	Se ha alcanzado el fin de la vida de la batería.	Contacte con su representante de servicio para sustituir la batería.
Fallo de ventilador FAn	El SAI tiene un fallo de ventilador.	Compruebe que el ventilador no esté bloqueado por ningún objeto. Si el error persiste, anote el mensaje de alarma y el número de serie del SAI. A continuación, póngase en contacto con su representante de servicio.
Fallo de carga Chr	El SAI tiene un fallo de carga.	El SAI ya no carga la batería. Anote el mensaje de alarma y el número de serie del SAI y contacte a su representante de servicio.

5. Mantenimiento

5.2 Sustitución del módulo de batería

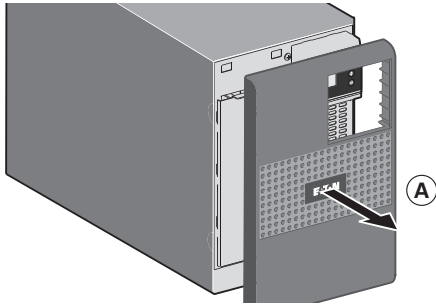
Recordatorio de las instrucciones de seguridad

La batería presenta un riesgo de electrocución y una corriente de cortocircuito elevada. Se tendrán que tomar las precauciones siguientes para cualquier intervención en los elementos de la batería:

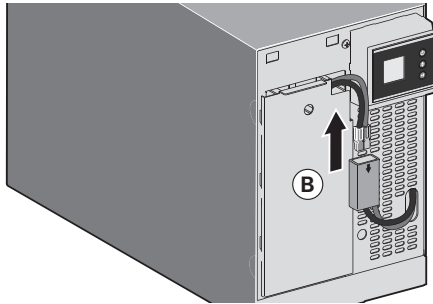
- Quitarse de las manos relojes, anillos, alianzas, pulseras o cualquier otro objeto metálico,
- Utilizar herramientas cuyo mango esté aislado.

Extracción de la bandeja de la batería en los modelos de torre

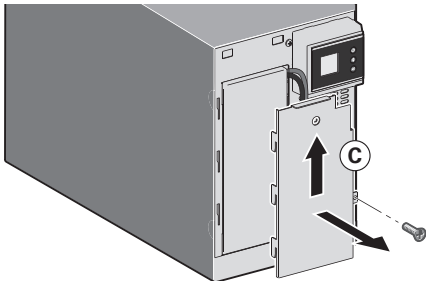
Esta operación debe llevarse a cabo cuando el SAI esté apagado y desenchufado de la fuente de CA.



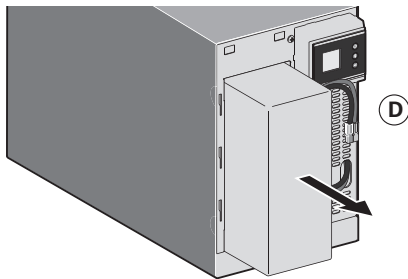
A - Retirar el panel delantero.



B - Desconectar el bloque de batería separando los 2 conectores (no tirar nunca de los cables).



C - Retirar la cubierta de protección de plástico que se encuentra delante de la batería (un tornillo).



D - Extraer el bloque de la batería tirando de la lengüeta de plástico y proceder a su sustitución.

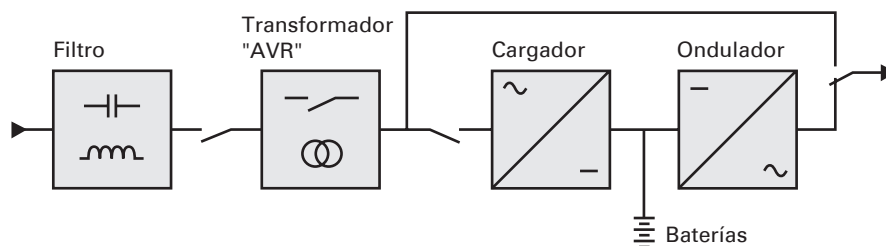
Montaje del nuevo módulo de batería

Realizar las operaciones descritas más arriba en sentido inverso.

- Para preservar la seguridad y el mismo nivel de prestaciones, utilizar elementos de batería suministrados por EATON.
- Procuren acoplar bien hasta el fondo las partes machos y hembras del conector cuando realicen la conexión.



6.1 Especificaciones técnicas

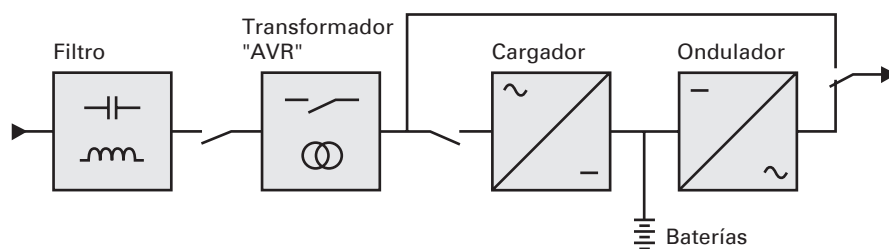


	5SC 500	5SC 750	5SC 1000	5SC 1500
Potencia de salida @ 120 V	500 VA 350 W	750 VA 525 W	1000 VA 700 W	1440 VA 1080 W
Potencia de salida @ 110 V	460 VA 325 W	690 VA 485 W	920 VA 645 W	1320 VA 990 W
Potencia de salida @ 100 V	415 VA 290 W	620 VA 435 W	830 VA 580 W	1200 VA 900 W
Red eléctrica de alimentación				
• Tensión de entrada nominal	Monofásica 100-120 V			
• Margen de tensión de entrada	96 a 144 V			
• Margen de frecuencia de entrada	45 a 55 Hz (red de 50 Hz), 55 a 65 Hz (red de 60 Hz)			
Salida utilización en funcionamiento con batería				
• Tensión	100/110/120 V (-10/+6 %) ⁽¹⁾			
• Frecuencia	50/60 Hz ±0.1 Hz			
Batería (de plomo hermético sin mantenimiento)				
• Estándar	1 x 12 V 9 Ah	2 x 12 V 7 Ah	2 x 12 V 9 Ah	3 x 12 V 9 Ah
Medio ambiente				
• Temperatura de funcionamiento	0 a 35 °C / 32 a 95 °F			
• Temperatura de almacenamiento	-15 a +40 °C / 5 a 104 °F			
• Humedad	0 a 90 % (sin condensación)			
• Nivel acústico	< 40 dBA en el modo normal			

(1) Ajustable a 100/110/120 V, debe fijarse al mismo valor de la fuente de alimentación de CA.

En los modelos 5SC: "PRECAUCIÓN. Para reducir el riesgo de incendios, conectar solo a un circuito que cuente con protección frente a sobrecarga eléctrica de derivación máxima de 20 amperios de acuerdo con el National Electrical Code (estándar estadounidense), ANSI/NFPA 70".

6. Anexos



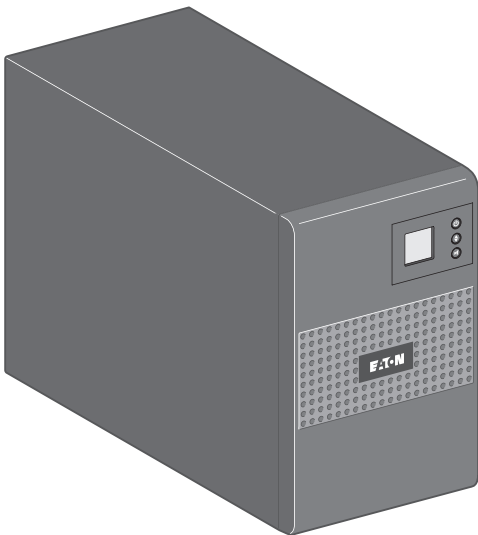
	5SC 500G	5SC 750G	5SC 1500G
Potencia de salida @ 230 V	500 VA 350 W	750 VA 525 W	1500 VA 1050 W
Red eléctrica de alimentación			
• Tensión de entrada nominal	Monofásica 220-240 V		
• Margen de tensión de entrada	de 184 a 276 V		
• Margen de frecuencia de entrada	45 a 55 Hz (red de 50 Hz), 55 a 65 Hz (red de 60 Hz)		
Salida utilización en funcionamiento con batería			
• Tensión	220/230/240 V (-10/+6 %) ⁽¹⁾		
• Frecuencia	50/60 Hz ±0,1 Hz		
Batería (de plomo hermético sin mantenimiento)			
• Estándar	1 x 12 V 9 Ah	2 x 12 V 7 Ah	3 x 12 V 9 Ah
Medio ambiente			
• Temperatura de funcionamiento	0 a 35 °C / 32 a 95 °F		
• Temperatura de almacenamiento	-15 a +40 °C / 5 a 104 °F		
• Humedad	0 a 90 % (sin condensación)		
• Nivel acústico	< 40 dBA en el modo normal		

(1) Ajustable a 220/230/240 V, debe fijarse al mismo valor de la fuente de alimentación de CA.

Cuando se utilice el dispositivo en la UE, use un disyuntor externo antes de cada línea con nominal de 16 A, 250 V que cumpla con la norma IEC/EN 60898-1;

Cuando se utilice el dispositivo en América, use un disyuntor externo antes de cada línea con nominal de 20 A, 250 V.

Este producto está diseñado para sistemas de distribución de alimentación de IT.



Manual de instalação e do usuário

5SC 500
5SC 750
5SC 1000
5SC 1500
5SC 500G
5SC 750G
5SC 1500G

Copyright © 2013 **EATON**
Todos os direitos reservados.

Serviço e assistência:
Telefone ao seu representante de serviço local

619-00470-02-us (pt)

INSTRUÇÕES DE SEGURANÇA IMPORTANTES

CONSERVE ESTAS INSTRUÇÕES. O presente manual contém instruções importantes que devem ser seguidas durante a instalação e manutenção do no-break (UPS) e das baterias.

Os modelos 5SC descritos no presente manual destinam-se a ser instalados num ambiente entre 0 e 35 °C / 32 e 95 °F isento de contaminantes condutores.

Este equipamento foi testado e considerado em conformidade com os limites para um dispositivo digital da Classe A, de acordo com a Parte 15 das regras da FCC. Estes limites foram projetados para oferecer uma proteção razoável contra interferências nocivas quando o equipamento é operado num ambiente comercial. Este equipamento gera, utiliza e pode radiar energia de radiofrequência e, se não for instalado e utilizado de acordo com as indicações contidas no manual de instruções, pode causar interferências nocivas nas comunicações de rádio. A operação do presente equipamento em áreas residenciais pode causar interferências nocivas; neste caso, o usuário será obrigado a corrigir a interferência por conta própria.

Normas de certificação

- Diretrizes UPS: UL 1778 4.ª edição (homologado pelo UL).
- Desempenho: IEC 62040-3: 2001.
- Emissões radiadas: FCC CFR 47 parte 15, subparte B, Classe A, VCCI.
- Capacidade de retenção de surto (SWC): IEEE ANSI C62.41 Categoria A2 (homologado pelo UL).

VCCI Notice

この装置は、情報処理装置等電波障害自主規制協議会（VCCI）の基準に基づくクラスA情報技術装置です。この装置を家庭環境で使用すると電波妨害を引き起こすことがあります。この場合には使用者が適切な対策を講ずるよう要求されることがあります。

Símbolos especiais

Os seguintes símbolos são exemplos de símbolos utilizados no UPS ou acessórios para adverti-lo sobre informação importante:



RISCO DE CHOQUE ELÉTRICO - Respeite a advertência associada ao símbolo de risco de choque elétrico.



Instruções importantes que devem ser sempre seguidas.



Não elimine o UPS ou as respectivas baterias junto com o lixo doméstico normal.

Este produto contém baterias de ácido e chumbo seladas e deve ser eliminado conforme explicado neste manual.

Para obter mais informações, contate o seu centro de reciclagem/reutilização ou de resíduos perigosos local.



Este símbolo indica que não se deve eliminar resíduos de equipamentos elétricos ou eletrônicos (REEE) juntamente com o lixo doméstico normal. Para o eliminar corretamente, contate o seu centro de reciclagem/reutilização ou de resíduos perigosos local.



Informação, notícia, ajuda.

Segurança de pessoas

- O sistema possui sua própria fonte de alimentação (a bateria). Consequentemente, as tomadas de força podem estar energizadas mesmo que o sistema esteja desconectado da tomada de AC da parede.
- Níveis perigosos de voltagem presentes no sistema. Para ser aberto somente por pessoal de serviço qualificado.
- O sistema deve ser alterado de maneira apropriada.
- A bateria fornecida com o sistema contém pequenas quantias de materiais tóxicos. Para evitar acidentes, as diretrizes abaixo devem ser observadas:
 - a manutenção das baterias deve ser realizada ou supervisionada por pessoal conhecedor de baterias e de acordo com as precauções requeridas.
 - ao substituir baterias, substitua-as pelo mesmo tipo e número de baterias ou conjuntos de baterias.
 - não descarte baterias em fogo. As baterias podem explodir.
 - as baterias constituem um risco (choque elétrico, queimaduras). A corrente de curto circuito pode ser muito elevada.

Devem ser tomadas precauções para todo o manuseio:

- Use luvas e botas de borracha.
- Não coloque ferramentas ou peças de metal sobre as baterias.
- Desligue a fonte de carga antes de conectar ou desconectar os terminais da bateria.
- Determine se a bateria foi inadvertidamente aterrada. Se tiver sido inadvertidamente aterrada, remova a fonte do terra. O contato com qualquer peça de uma bateria aterrada pode resultar em choque elétrico. A probabilidade de tal choque pode ser reduzida de estes aterramentos forem removidos durante a instalação e manutenção (aplicável ao equipamento e a fornecimentos remotos de bateria que não tiverem um circuito de alimentação aterrado).

Segurança do produto

- As instruções de conexão e a operação da no break descrita neste manual devem ser seguidas na ordem indicada.
- Deve ser instalado um disjuntor antes da entrada e o mesmo deve ser facilmente acessível. O sistema pode ser desconectado da fonte de alimentação de AC desligando esse disjuntor.
- Confira se as indicações na etiqueta de especificações técnicas correspondem ao seu sistema de alimentação AC e ao real consumo de energia elétrica de todos os equipamentos conectados ao sistema.
- Para EQUIPAMENTO ACOPLÁVEL, a saída de soquete deve ser instalada perto do equipamento e deve ser de fácil acesso.
- Nunca instale o sistema próximo de líquidos ou em um ambiente excessivamente húmido.
- Nunca deixe que algum corpo estranho caia dentro do sistema.
- Nunca obstrua as grades de ventilação do sistema.
- Nunca exponha o sistema à luz solar direta ou a uma fonte de calor.
- Se o sistema precisar ser armazenado antes da instalação, a armazenagem deve ser feita em local seco.
- A faixa admissível de temperaturas de armazenamento é de -15 a +40 °C / 5 a 104 °F.
- O sistema não se destina a ser utilizado numa sala de computadores.

Precauções especiais

- Todas as operações de manuseio terão de ser com duas pessoas (desembalagem e instalação do semestre na prateleira).
- Antes e após a instalação, se a no break permanecer sem energia por um período muito grande, a no break deve ser energizada durante um período de vinte e quatro horas, pelo menos uma vez por semestre (para um temperatura de operação normal, inferior a 25 °C / 77 °F). Esse procedimento carrega a bateria, evitando possíveis danos irreversíveis.
- Durante a substituição do Módulo da bateria, é obrigatório o uso do mesmo tipo e número de elementos que o Módulo de bateria original fornecido com o no break, para manter um nível idêntico de desempenho e segurança. Em caso de dúvida, não hesite em entrar em contacto com o seu representante EATON.

1. Introdução	6
1.1 Proteção ambiental	6
2. Apresentação	7
2.1 Instalação padrão.....	7
2.2 Painéis traseiros	7
2.3 Painel de controle	8
2.4 Descrição do LCD.....	8
2.5 Configuração da UPS através do LCD	9
3. Instalação	10
3.1 Retirar e verificar os produtos contidos na embalagem	10
3.2 Ligação do módulo das baterias	10
3.3 Portas de comunicação.....	11
4. Operação	12
4.1 Inicialização e operação normal	12
4.2 Colocar o UPS a funcionar com a bateria	12
4.3 Desligamento do UPS	12
4.4 Funcionamento com alimentação da bateria	12
4.5 Retorno de energia por entrada de CA.....	12
5. Manutenção	13
5.1 Solução de problemas	13
5.2 Substituição do módulo da bateria	14
6. Apêndices	15
6.1 Especificações técnicas.....	15

1. Introdução

Obrigado por selecionar um produto da EATON para proteger o seu equipamento elétrico.

A gama 5SC foi concebida com o maior cuidado.

Recomendamos que leia este manual para aproveitar completamente os vários recursos do seu UPS (Uninterruptible Power System, Sistema de energia ininterrupta).

Antes de instalar o 5SC, leia o folheto sobre as instruções de segurança necessárias.

Em seguida, siga as instruções deste manual.

Para descobrir toda a gama de produtos EATON e as opções disponíveis para a gama 5SC, convidamo-lo a visitar nosso site na Web em www.eaton.com/powerquality ou entrar em contato com o representante da EATON.

1.1 Proteção ambiental

A EATON implementou uma política de proteção ambiental.


Os produtos são desenvolvidos de acordo com uma abordagem de projeto ecologicamente correto.


Substâncias

Este produto não contém CFCs, HCFCs ou asbesto.

Embalagem

Para melhorar o tratamento de resíduos e facilitar a reciclagem, separe os vários componentes da embalagem.

- A caixa que usamos é composta de mais de 50% de papelão.
- Sacos e sacolas são feitos de polietileno.
- Os materiais da embalagem são recicláveis e contêm o símbolo de identificação adequado 

Materiais	Abreviação	Número do símbolo 
Polietileno tereftalato	PET	01
Polietileno de alta densidade	HDPE	02
Cloreto de polivinilo	PVC	03
Polietileno de baixa densidade	LDPE	04
Polipropileno	PP	05
Poliestireno	PS	06

Siga todas as regulamentações locais para o descarte de materiais de embalagem.

Fim de vida

A EATON processará produtos no fim da sua vida de serviço em conformidade com as regulamentações locais. A EATON trabalha com empresas encarregadas de coletar e eliminar os nossos produtos no fim da sua vida de serviço.

Produto

O produto é feito de materiais recicláveis.

A desmontagem e a destruição devem ocorrer em conformidade com todas as regulamentações locais relacionadas aos resíduos.

No fim da sua vida de serviço, o produto deverá ser transportado para um centro de processamentos para resíduos elétricos e eletrônicos.

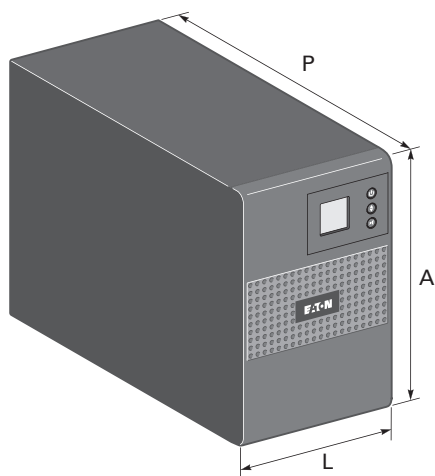
Bateria

O produto contém baterias de ácido-chumbo que devem ser processadas de acordo com as regulamentações locais aplicáveis relacionadas às baterias.

A bateria pode ser removida para ficar em conformidade com as regulamentações, objetivando o descarte correto.

2. Apresentação

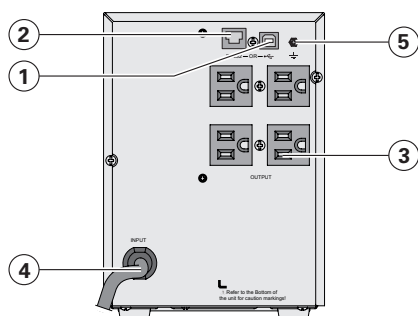
2.1 Instalação padrão



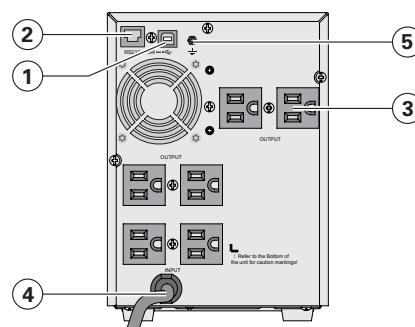
Descrição	Peso (lb/kg)	Dimensões (inch/mm) P x L x A
5SC 500	15.0 / 6.8	9.4 x 5.9 x 8.3 / 240 x 150 x 210
5SC 750	23.6 / 10.7	13.4 x 5.9 x 8.3 / 340 x 150 x 210
5SC 1000	25.1 / 11.4	13.4 x 5.9 x 8.3 / 340 x 150 x 210
5SC 1500	34.4 / 15.6	16.1 x 5.9 x 8.3 / 410 x 150 x 210
5SC 500G	14.6 / 6.6	9.4 x 5.9 x 8.3 / 240 x 150 x 210
5SC 750G	22.9 / 10.4	13.4 x 5.9 x 8.3 / 340 x 150 x 210
5SC 1500G	33.5 / 15.2	16.1 x 5.9 x 8.3 / 410 x 150 x 210

2.2 Painéis traseiros

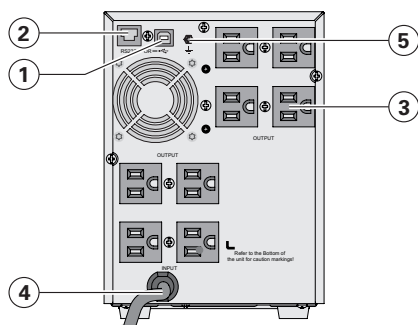
5SC 500



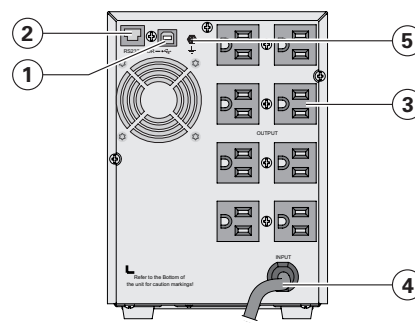
5SC 750



5SC 1000



5SC 1500

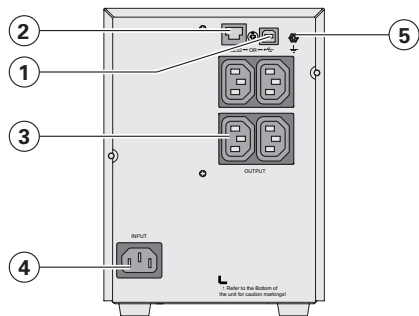


- (1) Porta de comunicação USB
- (2) Porta de comunicação RS232
- (3) Saídas para ligação de equipamento crítico
- (4) Cabo de alimentação de entrada de aprox. 1.8 m para fonte de alimentação CA
- (5) Parafuso de terra

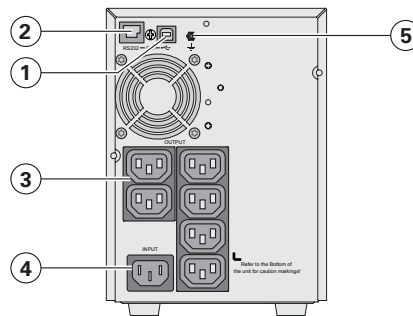
2. Apresentação

2.2 Painéis traseiros

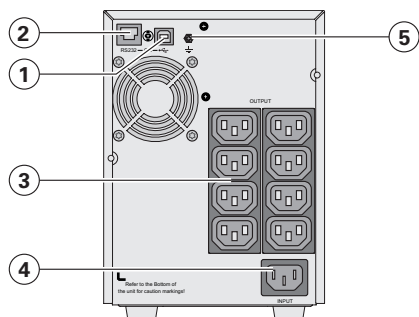
5SC 500G



5SC 750G



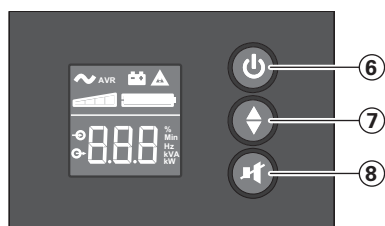
5SC 1500G



- (1) Porta de comunicação USB
- (2) Porta de comunicação RS232
- (3) Saídas para ligação de equipamento crítico
- (4) Ficha para ligação à fonte de alimentação de CA
- (5) Parafuso de terra

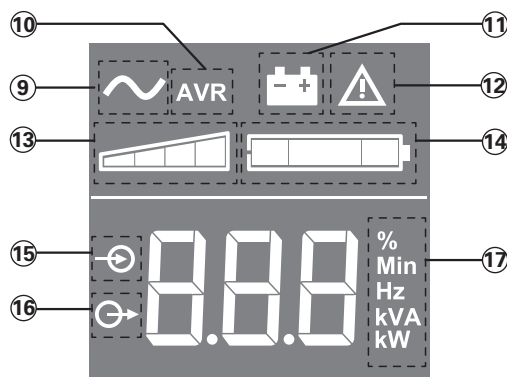
2.3 Painel de controle

A UPS possui um LCD com três botões. Este fornece informações úteis acerca do próprio UPS, estado de carga, eventos, medições e definições.



- (6) Botão ON/OFF
- (7) Deslocar para baixo
- (8) Silenciar alarme

2.4 Descrição do LCD

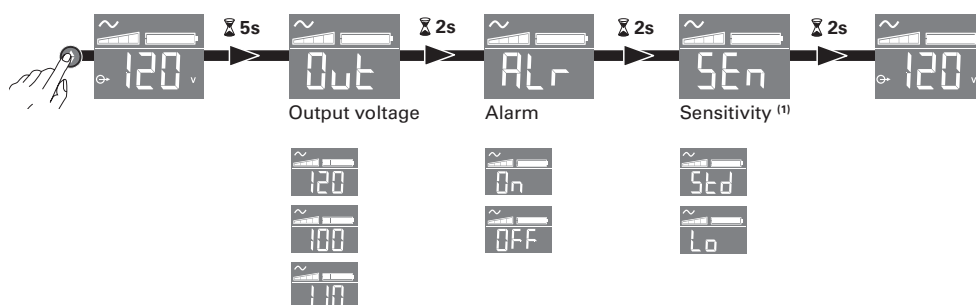


- (9) UPS Ligada
- (10) Modo AVR
- (11) Modo de bateria
- (12) Falha interna
- (13) Nível da carga de saída
- (14) Nível da bateria
- (15) Medições de entrada
- (16) Medições de saída
- (17) Unidade de medição

2.5 Configuração da UPS através do LCD

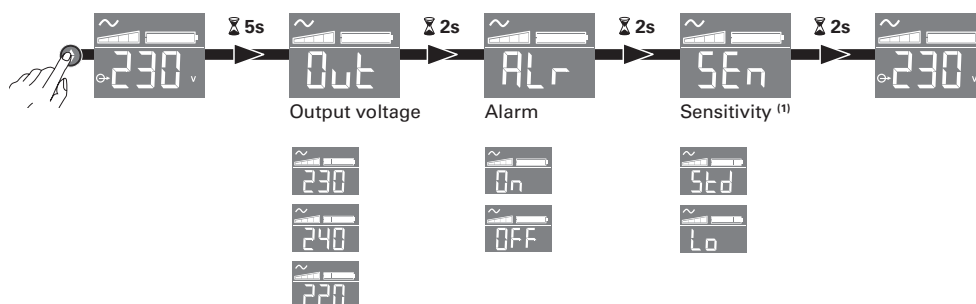
5SC 500 / 750 / 1000 / 1500

Solte o botão de deslocar para baixo para seleccionar o menu



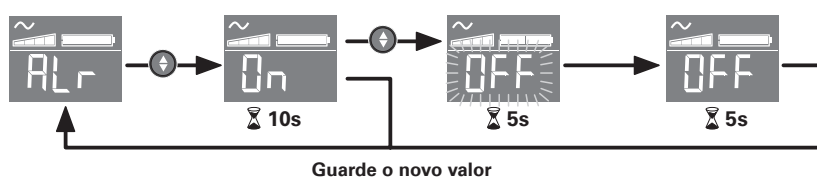
5SC 500G / 750G / 1500G

Solte o botão de deslocar para baixo para seleccionar o menu



(1) No modo de baixa sensibilidade (Lo), a UPS tolerará mais flutuações em energia e passará com menos frequência para a energia da bateria. Se a carga conectada é sensível a perturbações de energia, mantenha a sensibilidade em Standard (Std).

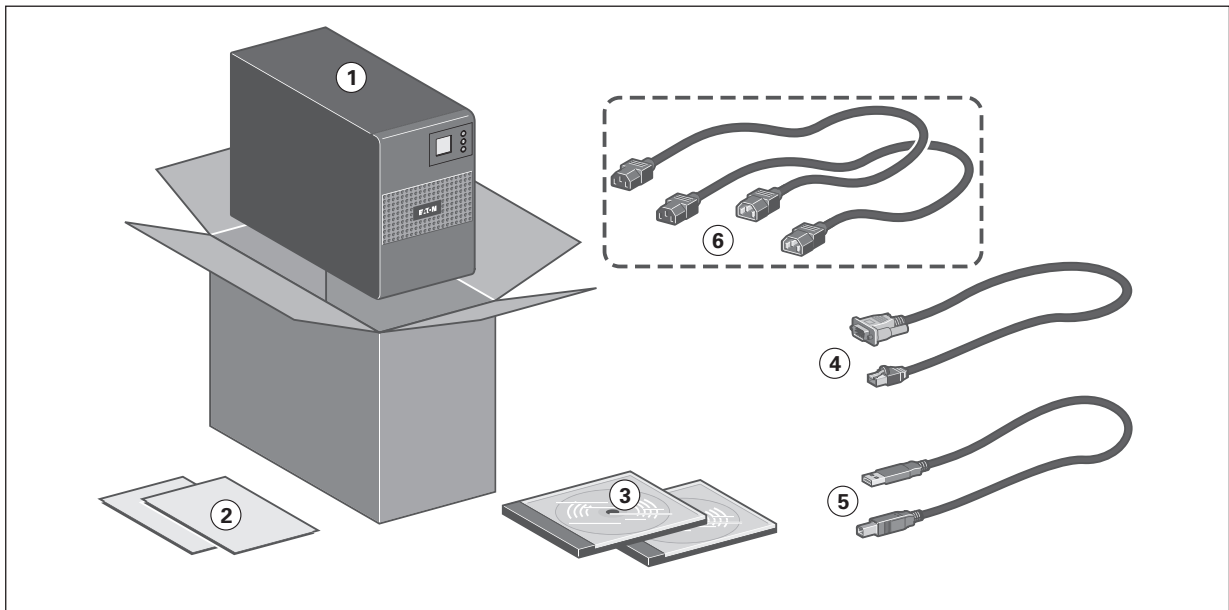
Exemplo de configuração



- O LCD desliga se não houver atividade durante 3 minutos.

3. Instalação

3.1 Retirar e verificar os produtos contidos na embalagem



(1) 5SC UPS

(2) Arranque rápido e instruções de segurança

(3) Manual de utilizador e CDROM IPSS (Intelligent Power Software Suite)

(4) Cabo de ligação RS232

(5) Cabo de comunicação USB

(6) 2 cabos de ligação para equipamentos protegidos (modelos 500G, 750G e 1500G)



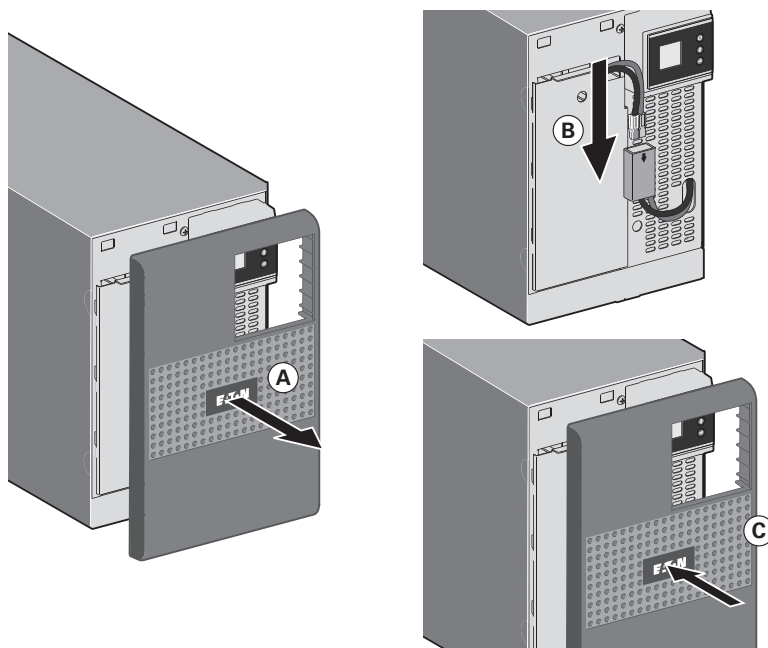
Os materiais da embalagem devem ser reciclados em conformidade com os regulamentos aplicáveis resíduos.

Os símbolos de reciclagem estão impressos nos materiais de embalagem, para facilitar a separação.

3.2 Ligação do módulo das baterias

Cuidado: antes de iniciar o UPS, ligue a bateria interna.

Nota: Pode ocorrer uma pequena quantidade de arcos voltaicos ao ligar as baterias. Isto é normal, não danifica o UPS nem apresenta riscos.



A - Remova o painel dianteiro.

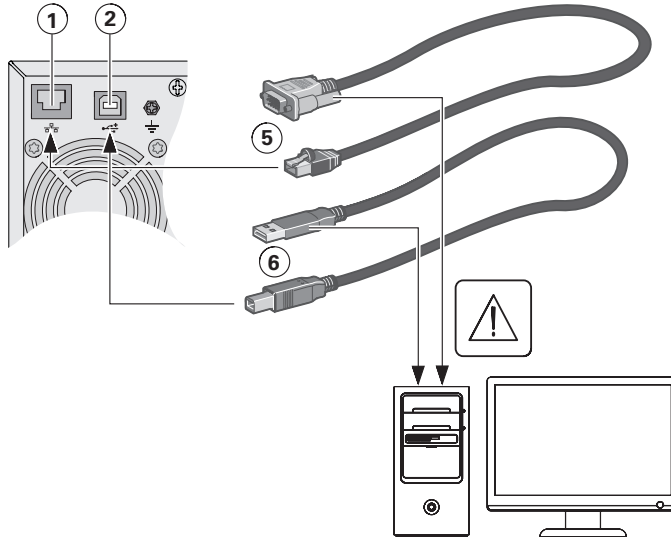
B - Ligue o módulo da bateria (nunca puxe pelos fios).

C - Ligue o painel dianteiro.

3.3 Portas de comunicação

Conexão da porta de comunicação RS232 ou USB

As portas de comunicação RS232 e USB não podem funcionar simultaneamente.





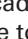
1. Conecte o cabo de comunicação RS232 (5) ou USB (6) à porta serial ou USB do computador.
2. Conecte a outra extremidade do cabo de comunicação (5) ou (6) à porta de comunicação USB (2) ou RS232 (1) do UPS.

O **UPS** pode agora comunicar com o software de gerenciamento de energia da EATON.

4. Operação

4.1 Inicialização e operação normal

Para iniciar o UPS:



1. Verifique se o cabo de alimentação do UPS está ligado.
2. Pressione o botão  no painel frontal do UPS durante pelo menos 2 segundos.
3. Verifique o painel de exibição dianteiro da UPS quanto a alarmes activos. Se o indicador  estiver ligado, não avance até todos os alarmes tiverem sido resolvidos. Corrija os alarmes e reinicie, caso seja necessário.
4. Verifique se o indicador  se acende de forma constante, indicando que o UPS está funcionando normalmente e que todas as cargas estão alimentadas e protegidas.

4.2 Colocar o UPS a funcionar com a bateria




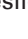
Antes de utilizar esta funcionalidade, o UPS tem de receber alimentação através da rede elétrica com a saída ativada pelo menos uma vez.

Para iniciar o UPS com a bateria:

1. Pressione o botão  no painel frontal do UPS até que a visualização do painel frontal do UPS se ilumine. O UPS realiza o ciclo de modo de espera para modo de bateria. Os indicadores  estão constantemente acesos. O UPS fornece alimentação ao seu equipamento.
2. Verifique o painel de exibição dianteiro da UPS quanto a alarmes activos. Resolva todos os alarmes ativos antes de prosseguir. Consulte "Resolução de problemas" na página 10.

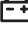
4.3 Desligamento do UPS

Para encerrar o UPS:

1. Pressione o botão  no painel frontal durante três segundos. O UPS emite um sinal sonoro. O UPS efetua então a transferência para o modo de espera, e o indicador  desliga-se.

4.4 Funcionamento com alimentação da bateria


Transferência para a energia da bateria

- Os dispositivos conectados continuam a receber energia do no-break se a energia da fonte de alimentação AC não estiver mais disponível. A energia necessária é fornecida pela bateria.
- O indicador  está permanentemente aceso.
- O alarme de áudio soa a cada dez segundos.



Os dispositivos conectados recebem energia da bateria.

Aviso de bateria fraca

- O indicador  está permanentemente aceso.
- O alarme emite um sinal sonoro a cada três segundos.



A carga restante da bateria está baixa. Desligue todos os aplicativos dos equipamentos conectados porque o desligamento do no-break é iminente.

Fim da autonomia da bateria

- Todos os LED apagam-se.
- Os alarmes áudio param.

4.5 Retorno de energia por entrada de CA

Após uma interrupção de energia, o no-break é automaticamente reinicializado quando a energia de alimentação CA retorna (a menos que a função de restauração tenha sido desativada por meio de personalização do no-break) e a energia passar a ser fornecida novamente.

5. Manutenção

5.1 Solução de problemas

Estado de funcionamento	Causa possível	Ação
Sobrecarga OL	Os requisitos de alimentação excedem a capacidade do UPS (mais de 105 % do valor nominal).	Retire algum do equipamento do UPS. O UPS continua funcionando mas pode encerrar se a carga aumentar. O alarme é reiniciado quando a situação se tornar inativa.
Falha na rede eléctrica do local SF	Ocorreu uma falha na rede eléctrica do local. A tomada à qual a UPS está ligada não está correctamente ligada à terra ou os condutores estão mal ligados.	Mande um electricista habilitado corrigir as ligações eléctricas.
Falha de curto-circuito SC	Ocorreu um curto-circuito ocorrido.	Verifique o aparelho quanto à ligação ou integridade. Se o erro subsistir, tome nota da mensagem do alarme e do número de série da UPS; em seguida, contacte o seu representante de assistência.
Falha da bateria BAT	As baterias na UPS estão desligadas.	Comprove de que todas as baterias estão corretamente ligadas. Se o erro subsistir, tome nota da mensagem do alarme e do número de série da UPS; em seguida, contacte o seu representante de assistência.
	Foi atingido o fim da vida útil da bateria.	Contacte o seu representante de serviço para obter uma bateria de substituição.
Falha da ventoinha FAn	A UPS tem uma falha da ventoinha.	Verifique que nenhum objeto está a bloquear a ventoinha. Se o erro subsistir, tome nota da mensagem do alarme e do número de série da UPS; em seguida, contacte o seu representante de assistência.
Falha do carregador [hr	A UPS tem uma falha do carregador.	A UPS já não carrega a bateria. Anote a mensagem de alarme e o número de série do UPS e, em seguida, contacte o seu representante de serviço.

5. Manutenção

5.2 Substituição do módulo da bateria

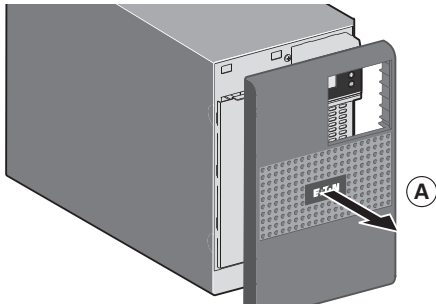
Recomendações de segurança

A bateria pode causar choques e correntes de curto-circuito. As seguintes precauções devem ser tomadas antes de qualquer manutenção nos componentes da bateria:

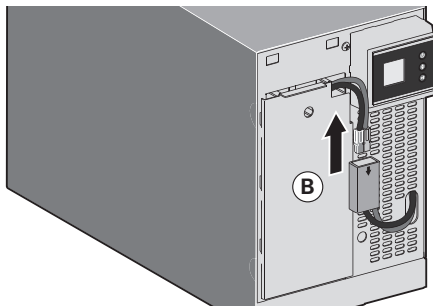
- retire relógios, anéis, pulseiras e todos os outros objetos metálicos das mãos e braços,
- use ferramentas com os cabos isolados.

Remoção do tabuleiro suporte de bateria nos modelos em torre

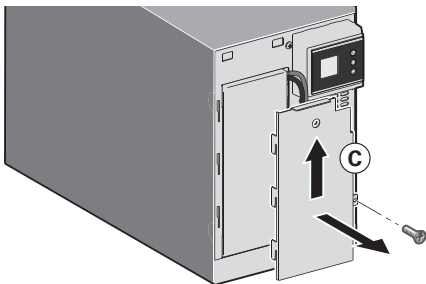
Esta operação tem de ser efectuada quando a UPS está desligada (OFF) e separada da fonte de CA.



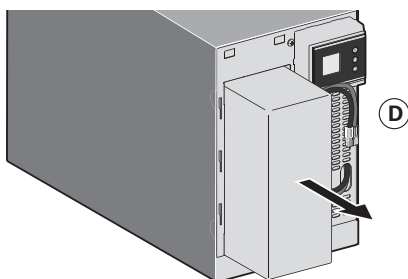
A Remova o painel dianteiro.



B - Desligar a bateria bloco, separando os dois conectores (nunca puxar pelos fios).



C Remova a cobertura de proteção plástica da parte dianteira da bateria (um parafuso).



D - Puxar a guia de plástico para remover o bloco de bateria e o substituir.

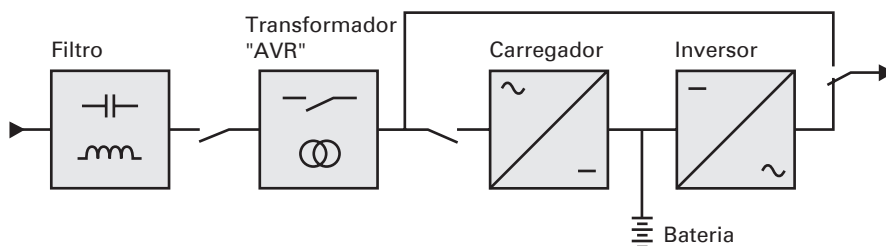
Montagem do novo módulo de bateria

Siga as instruções acima na ordem inversa.

- Para garantir segurança e alto desempenho, use somente baterias fornecidas pela EATON.
- Cuide de pressionar firmemente as duas partes do conector entre si durante a remontagem.



6.1 Especificações técnicas

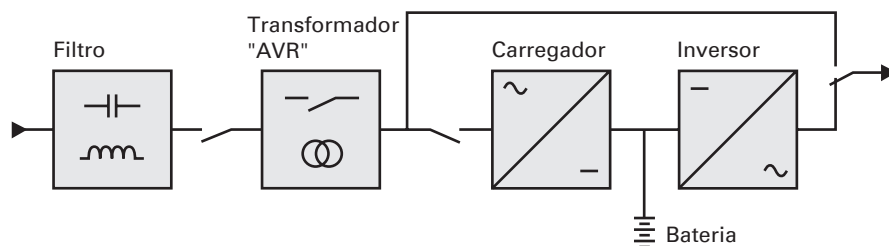


	5SC 500	5SC 750	5SC 1000	5SC 1500
Energia de saída @ 120 V	500 VA 350 W	750 VA 525 W	1000 VA 700 W	1440 VA 1080 W
Energia de saída @ 110V	460 VA 325 W	690 VA 485 W	920 VA 645 W	1320 VA 990 W
Energia de saída @ 100 V	415 VA 290 W	620 VA 435 W	830 VA 580 W	1200 VA 900 W
Fonte de alimentação CA				
• Voltagem de entrada nominal	Monofásico 100-120 V			
• Faixa de tensão de entrada	96 a 144 V			
• Faixa de frequência de entrada	45 a 55 Hz (sistema de 50 Hz), 55 a 65 Hz (sistema de 60 Hz)			
Saída da energia da bateria				
• Voltagem	100/110/120 V (-10/+6 %) ⁽¹⁾			
• Frequência	50/60 Hz ±0.1 Hz			
Bateria (selada de chumbo-ácido, dispensa manutenção)				
• Padrão	1 x 12 V 9 Ah	2 x 12 V 7 Ah	2 x 12 V 9 Ah	3 x 12 V 9 Ah
Ambiente				
• Faixa de temperatura de operação	0 a 35 °C / 32 a 95 °F			
• Faixa de temperatura de armazenamento	-15 a +40 °C / 5 a 104 °F			
• Humidade relativa	0 a 90 % (sem condensação)			
• Nível de ruído	< 40 dBA no modo normal			

(1) Ajustável para 100/110/120 V, tem de ser definido para o valor da fonte de alimentação CA idêntico.

Para modelos 5SC- "CUIDADO - Para reduzir o risco de incêndio, ligue apenas a um circuito fornecido com proteção de sobrecorrente de circuito derivado com um máximo de 20 amperes de acordo com o Código Eléctrico Nacional, ANSI/NFPA 70".

6. Apêndices



	5SC 500G	5SC 750G	5SC 1500G
Energia de saída @ 230 V	500 VA 350 W	750 VA 525 W	1500 VA 1050 W
Fonte de alimentação CA			
• Voltagem de entrada nominal	Monofásico 220-240 V		
• Faixa de tensão de entrada	184 a 276 V		
• Faixa de frequência de entrada	45 a 55 Hz (sistema de 50 Hz), 55 a 65 Hz (sistema de 60 Hz)		
Saída da energia da bateria			
• Voltagem	220/230/240 V (-10/+6 %) ⁽¹⁾		
• Frequência	50/60 Hz ±0.1 Hz		
Bateria (selada de chumbo-ácido, dispensa manutenção)			
• Padrão	1 x 12 V 9 Ah	2 x 12 V 7 Ah	3 x 12 V 9 Ah
Ambiente			
• Faixa de temperatura de operação	0 a 35 °C / 32 a 95 °F		
• Faixa de temperatura de armazenamento	-15 a +40 °C / 5 a 104 °F		
• Humidade relativa	0 a 90 % (sem condensação)		
• Nível de ruído	< 40 dBA no modo normal		

(1) Ajustável para 220/230/240 V, tem de ser definido para o valor da fonte de alimentação CA idêntico.

Quando o aparelho é utilizado numa região da UE, utilize um disjuntor externo em frente da linha com classificação de 16 A, 250 V em conformidade com a norma IEC/EN 60898-1;

Quando o aparelho for utilizado numa região das Américas, utilize um disjuntor em frente da linha com classificação de 20 A, 250 V.

Este produto foi projetado para sistemas de distribuição de energia para IT.

