

## EKI-K41T44 EKI-K82T46 EKI-K164T412 4K Value Express Kits

### Cameras

- 1/3" (4 MP) Progressive Scan CMOS
- 2560 x 1440 (4 MP) Resolution
- 2.8 mm Fixed Lens
- EXIR 2.0 with 100 ft (30 m) IR Range
- H.265+/H.265/H.264+/H.264/MJPEG
- IP67 Protection
- Durable Metal Housing
- 120 dB WDR for Clear Images

### NVR

- Up to 8 MP Resolution Recording
- H.265+/H.265/H.264+/H.264/MPEG
- Plug-and-Play with 4, 8, or 16 PoE Cameras
- Up to 2 SATA Interfaces



Hikvision EKI-KxxxT4xx Series 4K Value Express Kits are cost-effective solutions for value-oriented users.

Each kit is supplied with four, six, or twelve network cameras with 4 MP image sensors and a 4-, 8-, or 16-channel NVR in the same box.

Kits are plug-n-play and can be set up quickly.

### Available models:

**EKI-K41T44:** (1) ERI-K104-P4 NVR + 1TB HDD + (4) ECI-T24F2 Cameras

**EKI-K82T46:** (1) ERI-K108-P8 NVR + 2TB HDD + (6) ECI-T24F2 Cameras

**EKI-K164T412:** (1) ERI-K216-P16 NVR + 4TB HDD + (12) ECI-T24F2 Cameras

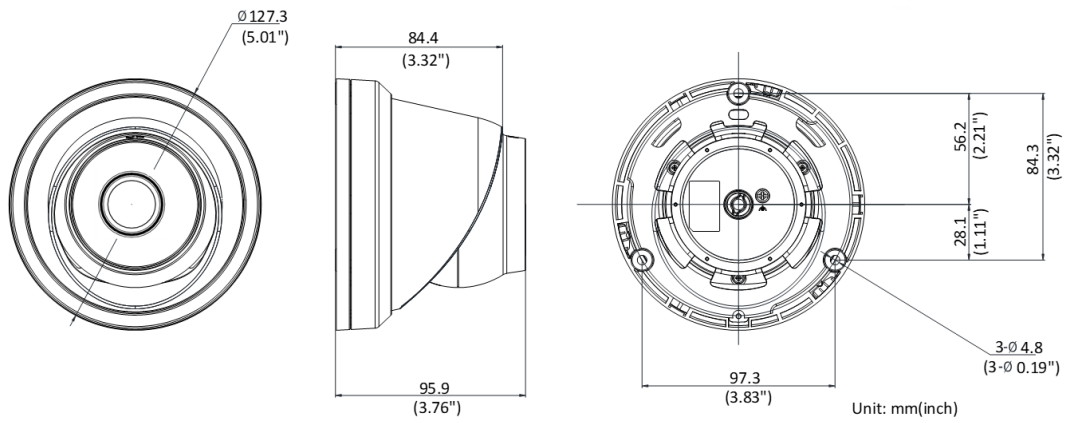


## ▪ Specification - for ECI-T24F2(C)

Camera	
Image Sensor	1/3" progressive scan CMOS
Max. Resolution	2560 × 1440
Min. Illumination	Color: 0.01 Lux @ (F2.0, AGC ON), B/W: 0 Lux with IR
Shutter Time	1/3 s to 1/100,000 s
Day & Night	IR cut filter
Angle Adjustment	Pan: 0° to 360°, tilt: 0° to 75°, rotate: 0° to 360°
Lens	
Lens Type	Fixed focal length, 2.8 and 4 mm optional
Focal Length & FOV	2.8 mm, horizontal FOV 98.0°, vertical FOV 53.1°, diagonal FOV 114.7° 4 mm, horizontal FOV 78.7°, vertical FOV 43.1°, diagonal FOV 92.3°
Lens Mount	M12
Iris Type	Fixed
Aperture	F2.0
Illuminator	
Supplement Light Type	IR
Supplement Light Range	Up to 30 m
Smart Supplement Light	Yes
IR Wavelength	850 nm
Video	
Main Stream	50 Hz: 20 fps (2560 × 1440), 25 fps (2304 × 1296, 1920 × 1080, 1280 × 720) 60 Hz: 20 fps (2560 × 1440), 30 fps (2304 × 1296, 1920 × 1080, 1280 × 720)
Sub-Stream	50 Hz: 25 fps (640 × 480, 640 × 360) 60 Hz: 30 fps (640 × 480, 640 × 360)
Video Compression	Main stream: H.265/H.264/H.264+/H.265+ Sub-stream: H.265/H.264/MJPEG
Video Bit Rate	32 Kbps to 8 Mbps
H.264 Type	Baseline Profile/Main Profile/High Profile
H.265 Type	Main Profile
Region of Interest (ROI)	1 fixed region for main stream
Audio	
Audio Compression	G.711ulaw/G.711alaw/G.722.1/G.726/MP2L2/PCM/AAC
Audio Bit Rate	64 Kbps (G.711)/16 Kbps (G.722.1)/16 Kbps (G.726)/32 to 160 Kbps (MP2L2)/16 to 64 Kbps (AAC)
Audio Sampling Rate	8 kHz/16 kHz
Environment Noise Filtering	Yes
Network	
Protocols	TCP/IP, ICMP, HTTP, HTTPS, FTP, DHCP, DNS, DDNS, RTP, RTSP, RTCP, PPPoE, NTP, UPnP™, SMTP, SNMP, IGMP, 802.1X, QoS, IPv6, Bonjour, IPv4, UDP, SSL/TLS
Simultaneous Live View	Up to 6 channels
API	Open Network Video Interface, ISAPI
User/Host	Up to 32 users. 3 levels: administrator, operator and user
Network Storage	NAS (NFS, SMB/CIFS), ANR

Client	iVMS-4200, Hik-Connect
Web Browser	Plug-in required live view: IE 10+ Plug-in free live view: Chrome 57.0+, Firefox 52.0+ Local service: Chrome 57.0+, Firefox 52.0+
<b>Image</b>	
Image Settings	Saturation, brightness, contrast, sharpness, AGC, white balance adjustable by client software or web browser
Day/Night Switch	Auto, Schedule, Day, Night
Wide Dynamic Range (WDR)	120 dB
Image Enhancement	BLC, 3D DNR
<b>Interface</b>	
Ethernet Interface	1 RJ45 10 M/100 M self-adaptive Ethernet port
On-Board Storage	Built-in memory card slot, support microSD card, up to 256 GB
Built-in Microphone	Yes
Reset Key	Yes
<b>Event</b>	
Basic Event	Motion detection, video tampering, exception
Linkage	Upload to FTP, notify surveillance center, send email, upload to memory card, trigger recording, trigger capture
<b>General</b>	
Power	12 VDC $\pm$ 25%, 0.4 A, max. 5 W, $\varnothing$ 5.5 mm coaxial power plug PoE: 802.3af, Class 3, 36 V to 57 V, 0.2 A to 0.15 A, max. 6.5 W
Material	Metal & Plastic
Dimension	$\varnothing$ 127.3 mm $\times$ 95.9 mm ( $\varnothing$ 5.0" $\times$ 3.7")
Package Dimension	150 mm $\times$ 150 mm $\times$ 141 mm (5.9" $\times$ 5.9" $\times$ 5.6")
Weight	Approx. 469 g (1.03 lb.)
With Package Weight	Approx. 705 g (1.55 lb.)
Storage Conditions	-30 °C to 60 °C (-22 °F to 140 °F). Humidity 95% or less (non-condensing)
Startup and Operating Conditions	-30 °C to 60 °C (-22 °F to 140 °F). Humidity 95% or less (non-condensing)
General Function	Anti-flicker, heartbeat, mirror, password protection, privacy mask, watermark, IP address filter
<b>Approval</b>	
EMC	FCC SDoC (47 CFR Part 15, Subpart B); IC VoC (ICES-003: Issue 6, 2016)
Protection	IP67 (IEC 60529-2013)

▪ **Dimension**



▪ **Accessory**

▪ **Optional**

CPM	CBM	CB130T	PM	PC130T
WML	ABM	CM		

## Specification

<b>Model</b>	<b>ERI-K104-P4(C)</b>
<b>Video and Audio</b>	
<b>IP video input</b>	4-ch Up to 8 MP resolution
<b>Incoming bandwidth</b>	40 Mbps
<b>Outgoing bandwidth</b>	80 Mbps
<b>HDMI output</b>	1-ch, 4K (4096 x 2160)/30 Hz, 4K (3840 x 2160)/30 Hz, 2K (2560 x 1440)/60 Hz, 1920 x 1080/60 Hz, 1600 x 1200/60 Hz, 1280 x 1024/60 Hz, 1280 x 720/60 Hz
<b>VGA output</b>	1-ch, 1920 x 1080/60 Hz, 1280 x 1024/60 Hz, 1280 x 720/60 Hz
<b>Video output mode</b>	HDMI/VGA simultaneous output
<b>CVBS output</b>	N/A
<b>Audio output</b>	1-ch, RCA (Linear, 1 K $\Omega$ )
<b>Two-way audio input</b>	1-ch, RCA (2.0 Vp-p, 1 K $\Omega$ , using the audio input)
<b>Decoding</b>	
<b>Decoding format</b>	H.265+/H.265/H.264+/H.264
<b>Recording resolution</b>	8 MP/6 MP/5 MP/4 MP/3 MP/1080p/UXGA/720p/VGA /4CIF/DCIF/2CIF/CIF/QCIF
<b>Synchronous playback</b>	4-ch
<b>Capability</b>	1-ch@8 MP (30 fps)/5-ch@1080p (30 fps)
<b>Stream type</b>	Video, Video & Audio
<b>Audio compression</b>	G.711ulaw/G.711alaw/G.722/G.726
<b>Network</b>	
<b>Remote connection</b>	16
<b>Network protocol</b>	TCP/IP, DHCP, IPv4, IPv6, DNS, DDNS, NTP, RTSP, SADP, SMTP, SNMP, NFS, iSCSI, ISUP, UPnP™, HTTP, HTTPS
<b>Network interface</b>	1, RJ-45 10/100 Mbps self-adaptive Ethernet interface
<b>PoE</b>	
<b>Interface</b>	4, RJ-45 10/100 Mbps self-adaptive Ethernet interface
<b>Power</b>	≤ 50 W
<b>Supported standard</b>	IEEE 802.3 af/at
<b>Auxiliary Interface</b>	
<b>SATA</b>	1 SATA interface
<b>Capacity</b>	Up to 8 TB capacity for each disk
<b>Alarm in/out<sup>1</sup></b>	N/A (4/1 is optional)
<b>USB interface</b>	Front panel: 1 x USB 2.0; Rear panel: 1 x USB 2.0
<b>General</b>	
<b>Power supply</b>	48 VDC, 1.35 A
<b>Consumption (without HDD and PoE off)</b>	≤ 10 W
<b>Working temperature</b>	-10 °C to 55 °C (14 °F to 131 °F)
<b>Working humidity</b>	10% to 90%
<b>Dimension (W x D x H)</b>	320 x 240 x 48 mm (12.4" x 9.4" x 1.9")
<b>Weight (without HDD)</b>	≤ 1 kg (2.2 lb)

## Specification

<b>Model</b>	<b>ERI-K108-P8(C)</b>
<b>Video and Audio</b>	
<b>IP video input</b>	8-ch Up to 8 MP resolution
<b>Incoming bandwidth</b>	80 Mbps
<b>Outgoing bandwidth</b>	80 Mbps
<b>HDMI output</b>	1-ch, 4K (4096 x 2160)/30 Hz, 4K (3840 x 2160)/30 Hz, 2K (2560 x 1440)/60 Hz, 1920 x 1080/60 Hz, 1600 x 1200/60 Hz, 1280 x 1024/60 Hz, 1280 x 720/60 Hz
<b>VGA output</b>	1-ch, 1920 x 1080/60 Hz, 1280 x 1024/60 Hz, 1280 x 720/60 Hz
<b>Video output mode</b>	HDMI/VGA simultaneous output
<b>CVBS output</b>	N/A
<b>Audio output</b>	1-ch, RCA (Linear, 1 K $\Omega$ )
<b>Two-way audio input</b>	1-ch, RCA (2.0 Vp-p, 1 K $\Omega$ , using the audio input)
<b>Decoding</b>	
<b>Decoding format</b>	H.265+/H.265/H.264+/H.264
<b>Recording resolution</b>	8 MP/6 MP/5 MP/4 MP/3 MP/1080p/UXGA/720p/VGA /4CIF/DCIF/2CIF/CIF/QCIF
<b>Synchronous playback</b>	8-ch
<b>Capability</b>	1-ch@8 MP (30 fps)/5-ch@1080p (30 fps)
<b>Stream type</b>	Video, Video & Audio
<b>Audio compression</b>	G.711ulaw/G.711alaw/G.722/G.726
<b>Network</b>	
<b>Remote connection</b>	64
<b>Network protocol</b>	TCP/IP, DHCP, IPv4, IPv6, DNS, DDNS, NTP, RTSP, SADP, SMTP, SNMP, NFS, iSCSI, ISUP, UPnP™, HTTP, HTTPS
<b>Network interface</b>	1, RJ-45 10/100 Mbps self-adaptive Ethernet interface
<b>PoE</b>	
<b>Interface</b>	8, RJ-45 10/100 Mbps self-adaptive Ethernet interface
<b>Power</b>	≤ 75 W
<b>Supported standard</b>	IEEE 802.3 af/at
<b>Auxiliary Interface</b>	
<b>SATA</b>	1 SATA interface
<b>Capacity</b>	Up to 8 TB capacity for each disk
<b>USB interface</b>	Front panel: 1 x USB 2.0; Rear panel: 1 x USB 2.0
<b>General</b>	
<b>Power supply</b>	48 VDC, 1.88 A
<b>Consumption (without HDD and PoE off)</b>	≤ 10 W
<b>Working temperature</b>	-10 °C to 55 °C (14 °F to 131 °F)
<b>Working humidity</b>	10% to 90%
<b>Dimension (W x D x H)</b>	320 x 240 x 48 mm (12.4" x 9.4" x 1.9")
<b>Weight (without HDD)</b>	≤ 1 kg (2.2 lb)

## Specification

<b>Model</b>	ERI-K216-P16(C)
<b>Video and Audio</b>	
<b>IP video input</b>	16-ch Up to 8 MP resolution
<b>Incoming bandwidth</b>	160 Mbps
<b>Outgoing bandwidth</b>	80 Mbps
<b>HDMI output</b>	1-ch, 4K (4096 x 2160)/30 Hz, 4K (3840 x 2160)/30 Hz, 2K (2560 x 1440)/60 Hz, 1920 x 1080/60 Hz, 1600 x 1200/60 Hz, 1280 x 1024/60 Hz, 1280 x 720/60 Hz
<b>VGA output</b>	1-ch, 1920 x 1080/60 Hz, 1280 x 1024/60 Hz, 1280 x 720/60 Hz
<b>Video output mode</b>	HDMI/VGA simultaneous output
<b>CVBS output</b>	N/A
<b>Audio output</b>	1-ch, RCA (Linear, 1 K $\Omega$ )
<b>Two-way audio input</b>	1-ch, RCA (2.0 Vp-p, 1 K $\Omega$ , using the audio input)
<b>Decoding</b>	
<b>Decoding format</b>	H.265+/H.265/H.264+/H.264
<b>Recording resolution</b>	8 MP/6 MP/5 MP/4 MP/3 MP/1080p/UXGA/720p/VGA /4CIF/DCIF/2CIF/CIF/QCIF
<b>Synchronous playback</b>	16-ch
<b>Capability</b>	1-ch@8 MP (30 fps)/5-ch@1080p (30 fps)
<b>Stream type</b>	Video, Video & Audio
<b>Audio compression</b>	G.711ulaw/G.711alaw/G.722/G.726
<b>Network</b>	
<b>Remote connection</b>	64
<b>Network protocol</b>	TCP/IP, DHCP, IPv4, IPv6, DNS, DDNS, NTP, RTSP, SADP, SMTP, SNMP, NFS, iSCSI, ISUP, UPnP™, HTTP, HTTPS
<b>Network interface</b>	1, RJ-45 10/100/1000 Mbps self-adaptive Ethernet interface
<b>PoE</b>	
<b>Interface</b>	16, RJ-45 10/100 Mbps self-adaptive Ethernet interface
<b>Power</b>	≤ 150 W
<b>Supported standard</b>	IEEE 802.3 af/at
<b>Auxiliary Interface</b>	
<b>SATA</b>	2 SATA interfaces
<b>Capacity</b>	Up to 8 TB capacity for each disk
<b>USB interface</b>	Front panel: 1 x USB 2.0; Rear panel: 1 x USB 2.0
<b>General</b>	
<b>Power supply</b>	100 to 240 VAC, 50 to 60 Hz
<b>Consumption (without HDD and PoE off)</b>	≤ 15 W
<b>Working temperature</b>	-10 °C to 55 °C (14 °F to 131 °F)
<b>Working humidity</b>	10% to 90%
<b>Dimension (W x D x H)</b>	385 x 315 x 52 mm (15.2" x 12.4" x 2.0")
<b>Weight (without HDD)</b>	≤ 2.6 kg (5.7 lb)

Distributed by

**HIKVISION®****Headquarters**

No.555 Qianmo Road, Binjiang District,  
Hangzhou 310051, China  
T +86-571-8807-5998  
overseasbusiness@hikvision.com

**Hikvision USA**  
T +1-909-895-0400  
sales.usa@hikvision.com

**Hikvision Australia**  
T +61-2-8599-4233  
salesau@hikvision.com

**Hikvision India**  
T +91-22-28469900  
sales@pramahikvision.com

**Hikvision Canada**  
T +1-866-200-6690  
sales.canada@hikvision.com

**Hikvision Thailand**  
T +662-275-9949  
sales.thailand@hikvision.com

**Hikvision Europe**  
T +31-23-5542770  
sales.eu@hikvision.com

**Hikvision Italy**  
T +39-0438-6902  
info.it@hikvision.com

**Hikvision Brazil**  
T +55 11 3318-0050  
Latam.support@hikvision.com

**Hikvision Turkey**  
T +90 (216)521 7070- 7074  
sales.tr@hikvision.com

**Hikvision Malaysia**  
T +601-7652-2413  
sales.my@hikvision.com

**Hikvision UK & Ireland**  
T +01628-902140  
sales.uk@hikvision.com

**Hikvision South Africa**  
Tel: +27 (10) 0351172  
sale.africa@hikvision.com

**Hikvision France**  
T +33(0)1-85-330-450  
info.fr@hikvision.com

**Hikvision Kazakhstan**  
T +7-727-9730667  
nikia.panfilov@hikvision.ru

**Hikvision Vietnam**  
T +84-974270888  
sales.vt@hikvision.com

**Hikvision UAE**  
T +971-4-4432090  
salesme@hikvision.com

**Hikvision Singapore**  
T +65-6684-4718  
sg@hikvision.com

**Hikvision Spain**  
T +34-91-737-16-55  
info.es@hikvision.com

**Hikvision Tashkent**  
T +99-87-1238-9438  
uzb@hikvision.ru

**Hikvision Hong Kong**  
T +852-2151-1761  
info.hk@hikvision.com

**Hikvision Russia**  
T +7-495-669-67-99  
saleru@hikvision.com

**Hikvision Korea**  
T +82-(0)31-731-8817  
sales.korea@hikvision.com

**Hikvision Poland**  
T +48-22-460-01-50  
info.pl@hikvision.com

**Hikvision Indonesia**  
T +62-21-2933759  
Sales.Indonesia@hikvision.com

**Hikvision Colombia**  
sales.colombia@hikvision.com