

GV-GBL4900 Cloud AI 4MP H.265 Super Low Lux WDR Pro IR Bullet IP Camera



- Direct-to-Cloud
- AI deep learning: AI Perimeter Protection & Classification (Human, Vehicle)
- 1/3" progressive scan CMOS
- Triple streams from H.265, H.264 and MJPEG
- Min. illumination at 0.005 lux
- Up to 30 fps at 2592 x 1520
- Intelligent IR
- IR distance up to 50 m (165 ft)
- Day and Night function (with removable IR-cut filter)
- Ingress protection (IP67)
- Vandal resistance (IK10 for meting casing)
- DC 12V / PoE (IEEE 802.3af)
- Built-in microSD card slot (SDHC / SDXC / UHS-I, Class 10) for local storage
- Two-way audio capable
- Built in microphone
- Wide Dynamic Range Pro (WDR Pro)
- Defog
- GV-Center V2 connection
- AI analytics (Line Crossing, Region Entrance, Region Exiting, Region Intrusion, Target Counting, Heat Map, Loitering Detection, Illegal Parking Detection, Face Detection, Video Metadata)
- Motion detection
- Text overlay
- Privacy mask
- 19 languages supported
- ONVIF (Profile G, S, T, M) conformant

Introduction

GV-GBL4900 is an outdoor bullet IP camera equipped with automatic IR-cut filter and IR LEDs for day and night surveillance. The camera supports H.265 video codec to achieve better compression ratio while maintaining high quality pictures at reduced network bandwidth. GV-GBL4900 adheres to IP67 and IK10 standards, and can be powered through PoE.

Empowered by deep learning algorithms, AI technology distinguishes human and vehicles from other moving objects. When integrated with GeoVision Video Management Software (VMS), it supports AI perimeter protection, real time alert, event playback and more. By connecting the camera to the cloud-based data center and video surveillance solution, GV-Cloud VMS, thousands of on-site videos, alarm devices, and AI events can be monitored and managed from a single platform.

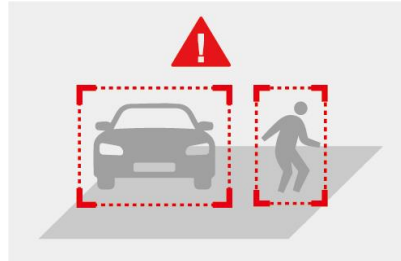
Deep Learning Function

Face Detection

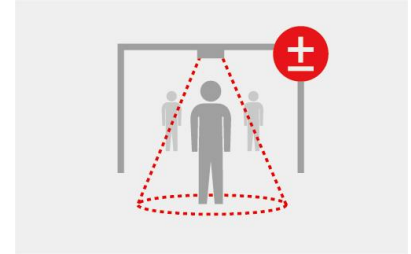


AI Perimeter Protection

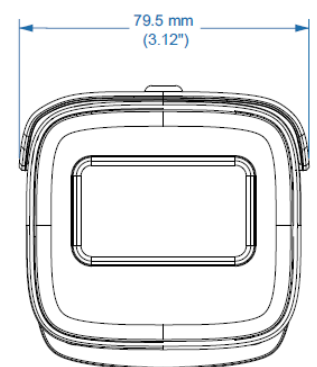
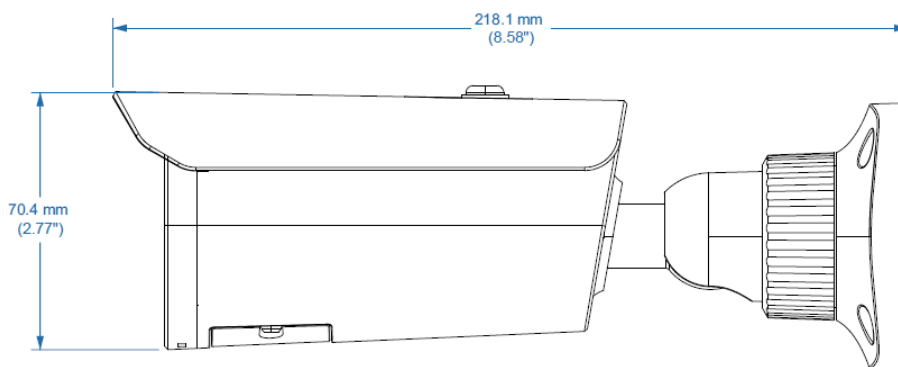
(Region Intrusion, Line Crossing, Region Entrance, Region Exiting)



People Counting



Dimensions



Specifications

Camera					
Image Sensor		1/3" progressive scan CMOS			
Picture Elements		2592 (H) x 1520 (V)			
Minimum Illumination	Color	0.005Lux (F1.6, AGC ON)			
	IR On	0 Lux			
Shutter Speed		Automatic, Manual (1/3 ~ 1/100000 sec)			
White Balance		Automatic, Manual			
Gain Control		Automatic, Manual			
S/N Ratio		50 dB			
WDR Pro		Yes			
Dynamic Range		120 dB			
Lens					
Megapixel		4 MP			
Day/Night		Yes (with removable IR-cut filter)			
Focal Length		2.8 mm			
Lens Type		Fixed			
Maximum Aperture		F/1.6			
Mount		M12			
Horizontal FOV		95.3°			
Operation	Focus	Fixed			
	Zoom	Fixed			
	Iris	Fixed			
IR LED Quantity		2 IR LEDs			
Max. IR Distance		50 m (165 ft)			
DORI		Detect	Observe	Recognize	Identify
Lens	2.8 mm	60.6 m (198.8 ft)	24.8 m (81.3 ft)	12.1 m (39.6 ft)	6.0 m (19.6 ft)

Operation		
Video Compression		H.265, H.265+, H.264, H.264+, MJPEG
Video Streaming		Triple streams
Video Resolution	Main Stream	2592 x 1520 (Default), 2560 x 1440, 2304 x 1296, 1920 x 1080
	Sub Stream	1280 x 720 (Default), 704 x 576, 704 x 480, 640 x 480, 640 x 360, 480 x 240, 352 x 288, 352 x 240
	Third Stream	1280 x 720 (Default), 704 x 576, 704 x 480, 480 x 240, 352 x 288, 352 x 240
Frame Rate		30 fps at 2592 x 1520 / 2560 x 1440 / 2304 x 1296 / 1920 x 1080 / 1280 x 720 / 704 x 480 / 640 x 480 / 640 x 360 / 480 x 240 / 352 x 240 (60 Hz) 25 fps at 2592 x 1520 / 2560 x 1440 / 2304 x 1296 / 1920 x 1080 / 1280 x 720 / 704 x 576 / 640 x 480 / 640 x 360 / 480 x 240 / 352 x 288 (50 Hz) *The frame rate and performance may vary depending on the number of connections and data bitrates (different scenes).
Maximum Throughput	AI off	64 Mbps
	AI on	18 Mbps: one AI function enabled 12 Mbps: multiple AI functions enabled
Maximum Streams *When the total bitrate is within the maximum throughput		8 *By default, 2 connections are occupied whether connected to GV-Cloud VMS or not.
Video Analytics		Motion Detection, Object Abandoned / Missing Detection
Smart Alarm		Motion Detection, SD Card Error, SD Card Full, IP Address Conflict, Cable Disconnection, Scene Change Detection, Video Blur Detection, Video Cast Detection, Audio Exception
Image Setting		Brightness, Contrast, Saturation, Sharpness, Flicker-less, 3D Noise Reduction, Image Orientation (Flip, Mirror, 0°, 90°, 180°, 270°-including Corridor format).
Dual Redundant Images		Yes (for failsafe firmware upgrade)
Audio Compression		G.711
Audio Support		Two-way audio (external speaker required)
Digital I/O	Input	1 Input, dry contact, NO / NC
	Output	1 Relay Output (1A 30V DC / 0.3A 125V AC)
Deep Learning Function		
AI Analytics		Face Event: Face Detection Smart Event: - Line Crossing, Region Entrance, Region Exiting, Region Intrusion, Target Counting, Heat Map, Video Metadata: Human & Vehicle classification - Loitering Detection, Illegal Parking Detection *A maximum of 2 smart detection functions are suggested at a time to ensure comprehensive detection results and the optimized performance by the camera. *Once connected to GV-Cloud VMS / GV-Center V2, up to 2 smart detection functions are supported.
Video Metadata	People	Gender, Age, Top / Bottom (Type, Color), Accessories (Hat, Bag, Face Mask, Glasses)
	Vehicle	Type, Color, Brand, Model
	Non-Motor Vehicle	Type
Network		
Interface		10/100 Ethernet
Protocol		802.1x, DDNS, DHCP, FTP, HTTP POST, HTTP, HTTPS, IPv4, IPv6, NTP, ONVIF (Profile G, S, T, M), PPPoE, QoS, RTCP, RTMP, RTP, RTSP, SMTP, SNMP, UDP, UPnP
Mechanical		
Camera Angle Adjustment	Pan	0 ~ 360°
	Tilt	0 ~ 90°
	Rotate	0 ~ 360°
Connectors	Power	DC jack (DC 12 V, 1.25 A), PoE (IEEE 802.3af)
	Ethernet	RJ-45
	Audio	1 In (built-in microphone, external speaker required with power supply) 1 Out (stereo phone jack, 3.5 mm / 0.14")
	Digital I/O	4-pin terminal block pitch 3.5 mm (0.14")
	Local Storage	microSD card slot (SDHC / SDXC / UHS-I, Class 10) * UHS-II card type is not supported.
General		
Operating Temperature		-30 ~ 60°C (-22 ~ 140°F)

Humidity	0 ~ 95% (no condensation)
Power Source	12 V DC / PoE (IEEE 802.3af)
Max. Power Consumption	10 W
Dimensions	218.1 x 70.4 x 79.5 mm (8.58 x 2.77 x 3.12 in)
Weight	0.67 kg (1.48 lb)
Ingress Protection	IP67
Vandal Resistance	IK10 for metal casing
Certification	CE, FCC, RoHS, UKCA compliant
Web Interface	
Installation Management	Web-based configuration
Maintenance	Firmware upgrade through Web Browser or Utility
Access from Web Browser	Live View, Playback, Video Recording, Image Quality, Bandwidth Control, Image Snapshot, Digital Zoom, Text Overlay, Image Masking, Intelligent Mark
Language	Chinese Traditional, Czech, Dutch, English, French, German, Hebrew, Hungarian, Italian, Japanese, Korean, Norwegian, Polish, Portuguese, Romanian, Russian, Spanish, Spanish (Latin America), Turkish
Software Applications	
Software Supported	GV-VMS (V17.4.7 or later, V18.3.2 or later), GV-Edge Recording Manager (V2.2.7 or later), GV-Control Center (V4.2.0 or later), GV-Recording Server (V2.1.1 or later), GV-Cloud VMS (V1.1.0 or later), GV-Center V2 (V18.4.1 or later)
Smart Device Access	GV-Eye for iOS and Android (V3.1.1 or later)
Live Viewing	Web Browser (Edge, IE mode in Edge, Chrome, Firefox, Safari), Mobile App




Note:




1. When connecting to GV-Cloud VMS, avoid connecting to other GV-Software at the same time.
2. Industrial-grade microSD cards are recommended to avoid event recordings writing failure.
3. All specifications are subject to change without notice.

Packing List

- | | |
|--------------------------|--------------------------|
| 1. GV-GBL4900 Bullet | 4. Drill Template Paster |
| 2. Waterproof Rubber Set | 5. Download Guide |
| 3. Screw Kit | |

Accessories

Model No.	Name		Details
GV-Mount470 (must be used with Mount506 or 507-1)	Pole Mount Bracket		Dimensions: 163.3 x 54.5 x 215 mm (6.43 x 2.15 x 8.46 in) Weight: 1.10 kg (2.43 lb)
GV-Mount506	Junction Box		Dimensions: 139.3 x 171.6 x 50 mm (5.48 x 6.76 x 1.97 in) Weight: 0.51 kg (1.13 lb)
GV-Mount507	Junction Box		Dimensions: \varnothing 96 x 38.8 mm (\varnothing 3.78 x 1.53 in) Weight: 0.14 kg (0.30 lb)

GV-Mount507-1	Junction Box		Dimensions: Ø 111.7 x 55 mm (Ø 4.40 x 2.17 in) Weight: 0.33 kg (0.73 lb)
GV-PA191	PoE Adapter		GV-PA191 is a Power over Ethernet (PoE) adapter designed to provide power to the IP device through a single Ethernet cable.
GV-PA301	Gigabit PoE Adapter		GV-PA301 is a Gigabit Power over Ethernet (PoE) adapter.
GV-POE Switch	GV-POE Switch is designed to provide power along with network connection for IP devices. The GV-POE Switch is available in various models with different numbers and types of ports.		
Power Adapter	Contact our sales representatives for the countries and areas supported.		