



MM700 Premier Pull Down TV Mount

The MantelMount MM700 Premier Consumer Series Pull-Down TV Mount allows 50" to 90" TV's stable mounting and exceptionally smooth movement. Heavy duty 3mm steel safely holds premium TV's up to a maximum weight of 115lbs. Add on the RB100 Recess Kit for 1.75" flush-to-wall mounting. Sold Separately.

Features Include:

- **2 AUTOMOTIVE GAS PISTONS**
Makes TV feel feather light.
- **PAINTABLE WALL COVERS**
Conceals the TV mount's wall hardware.
- **HEAT SENSING HANDLES**
Handles turn red if the temperature reaches 110°F.
- **PATENTED AUTO STRAIGHTENING**
Automatically aligns TV when lifted to it's highest position.
- **CABLE MANAGEMENT**
Tabs keep TV wires organized.
- **PATENTED ENHANCED STABILIZATION**
Maintains a level TV over time.
- **HARD TRAVEL-LIMIT STOPS**
Manually set vertical and horizontal travel stops to assure your TV doesn't hit your mantel or wall.

- Ⓘ Lifetime limited consumer warranty included.
- ⚙ All necessary hardware is in the box.

Add-On RB100 Recess Kit Allows for 1.75" Flush-to-Wall Distance

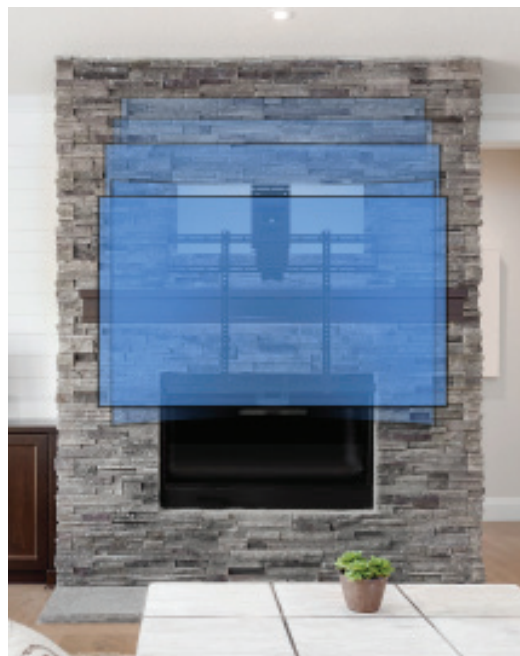
This simple-to-install MantelMount MM700 Series **add-on accessory allows for seamless integration into a wall.** The RB100 provides the most flush TV-to-wall storage on the market by allowing the MantelMount lifting arm to fold into the wall when the TV is in its raised position.



Shown here with the RB100 recess box for an optional Flush-to-Wall mounting solution.

RB100 Specifications

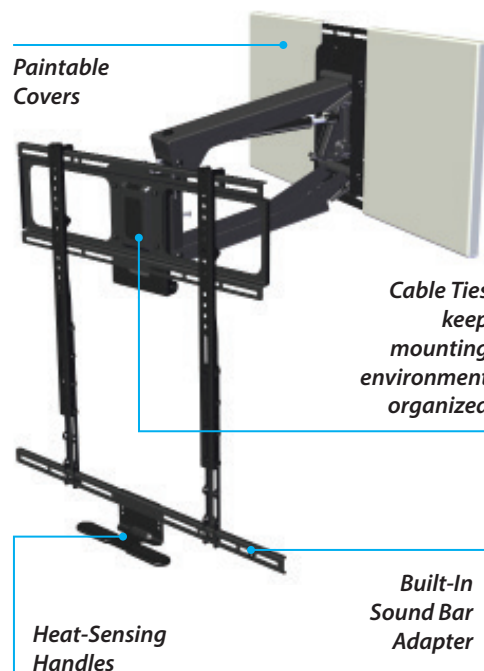
Weight	14 lbs.
Dimensions	9.5" x 30.87" x 3.7"
Package Weight	25 lbs.
Package Dim.	14" x 36" x 6"
UPC Code	86006443900
MSRP / UMAP	\$199.99 / \$199.99



REV 07-24

MantelMount. MM700

US. PAT. NO. 8,864,092 US. PAT. NO. 8,724,037



MM700 Specifications

TV Size	50" – 90" up to 115 lbs.
Mount Weight	38 lbs.
Package Weight	42 lbs.
Package Dimensions	38" x 17" x 7"
UPC Code	00861709000308
MSRP / UMAP	\$599 / \$399



www.MantelMountPro.com
sales@mantelmount.com 800.897.9755

REV. 07.17.24

FITS TV's

50" TO 90"

MOUNT PATTERN

UP TO 600mm x 600mm

HEAVY DUTY STEEL

3mm

ADJUSTABLE TILT

9°

OFF-THE-WALL DISTANCE

15" MAX

SWIVEL CAPACITY

± 30°

VERTICAL DROP

26" MAX

MAX LOAD

115 lbs