

TRINE

ACCESS TECHNOLOGY®

DISTRIBUTED BY
AHS
ACCESS HARDWARE SUPPLY
accesshardware.com

INNOVATIVE DESIGNS SUPERIOR PRODUCTS



2021 PRICEBOOK CATALOG

Prices effective
November 15, 2021
Prices Subject to change
without notice.

Table of Contents

The Specialized Solutions Series

- 3275VRP-LC pg. 4
- 3250SOM-LC "Strike-O-Matic™" pg.5
- 4100DBDL pg.6-7

SPECIALIZED SOLUTIONS
ELECTRIC STRIKE SERIES

Axion Premium Electric Strikes

- 3000 Series pg. 9-21
- 4100 Series pg. 22-26
- 4200 Series pg. 27-31
- 4800 Series pg. 32-36
- EN Series pg. 37-44



Light Commercial Electric Strikes

- 00 Series pg. 45-49
 - 2000 Series pg. 49-50
 - 01 Series pg. 50
 - 1000 Series pg. 49
- Where it all began.**

Accessories

- 4850ITL / ANSI ITL pg. 51 *(Best Installation Tools Available)*
- Wireless Chimes pg. 53
- 017TDC-4/018-4 Series pg. 54
- Door Alarms/Switches pg. 55
- Chimes/Bells/Buzzers pg. 56
- Low V. Transformers pg. 57
- Pushbuttons pg. 58

Other

- Glossary pg. 59
- Strike Selector pg. 60-61
- Conditions of Sale pg. 62
- Cross Reference pg. 63

NEW

- Redesigned 4850 - Enhanced to provide ultra low current draw

Discontinued

- 4850PoE and 4850LCD - replaced by the every day low current draw 4850
- 003 electric strike - see 006 for similar lockset compatibility
- Transformers - 522, 525, 5208 and 5209
- 234WB - strobe chime

EFFECTIVE DATE || NOVEMBER 15th, 2021

SPECIALIZED SOLUTIONS

ELECTRIC STRIKE SERIES

**SOLUTIONS FOR UNIQUE INSTALLATIONS
ONLY FROM TRINE**

3275VRP

**THE VERTICAL
ROD LATCH
SOLUTION**



(actual size)



4100DBDL

**THE
DEADBOLT
SPLIT LATCH
DUAL MECHANISM
SOLUTION**

**Provides emergency
deadbolt override!**

**AND NIGHT LATCH FUNCTION FOR
MORTISE LOCKS WITH DEADBOLTS**

3250SOM-LC STRIKE-O-MATIC™

**THE DOR-O-MATIC™
SOLUTION**

**THE SMALLEST
ELECTRIC STRIKE
IN THE WORLD...
DOES IT AGAIN!**



THE VERTICAL ROD SOLUTION

TRINE
ACCESS TECHNOLOGY.

3275VRP-LC

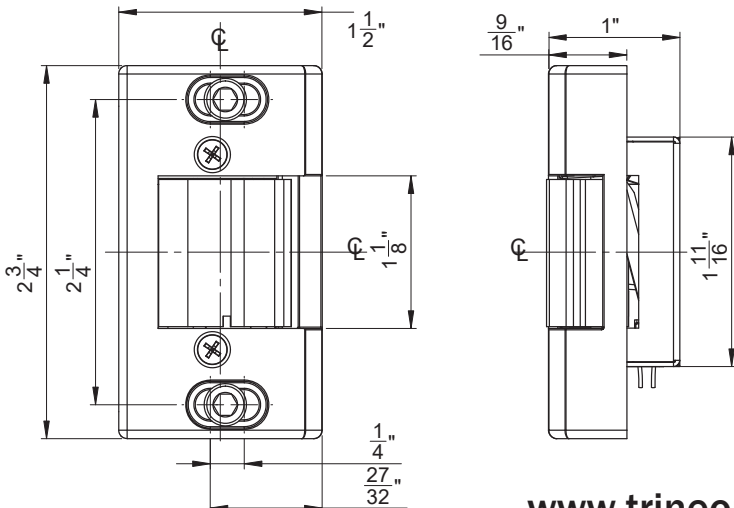
(actual size)

The 3275VRP is the smallest electric strike solution for vertical rod latches.

Utilizes the heavy duty 3000F series mechanism.

For Use with:

- Sargent 97/68
- Arrow 3700/S1150/600
- Cal-Royal 9860V/F9860V
- Townsteel ED1200F
- Von Duprin 33/35
- Von Duprin 98/99 (Without the Deadlocking option)



Features:

- All stainless steel construction
- Horizontal adjustment
- Metal installation template included
- 1/16" spacer plate provided
- Include Trine's patented anchoring system for stability.
- LC100 included - 12/24 AC/DC input with surge and kick back protection
- Tested to Grade 1: BHMA - A156.31
- 1,500 lbs holding force
- 500,000+ life cycles

VOLTAGE	PULL IN/HOLD AMPS	OHMS
12VDC	.743/.298	13
12VAC	.715/.277	13
24VDC	.397/.170	13
24VAC	.378/.173	13
DUTY:		Intermittent/Continuous

SPECIALIZED SOLUTIONS
ELECTRIC STRIKE SERIES

Finishes:
3275VRP-LC-ALUM
(Aluminum Powder Coat)
3275VRP-LC-DKBZ
(Dark Bronze Powder Coat)

Price:
\$416

LC100 included

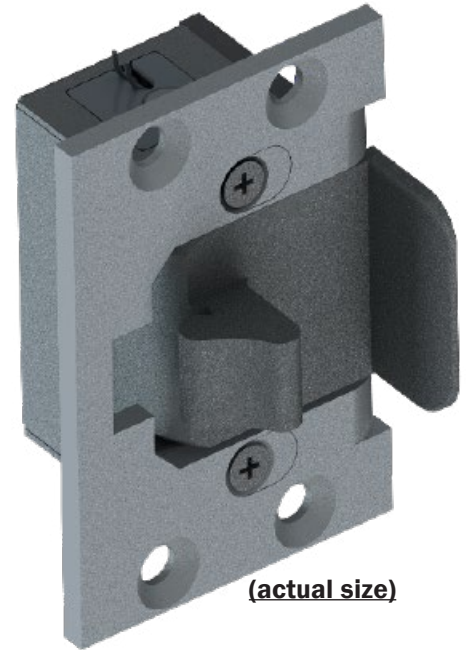
www.trineonline.com

3250SOM-LC (STRIKE-O-MATIC™)

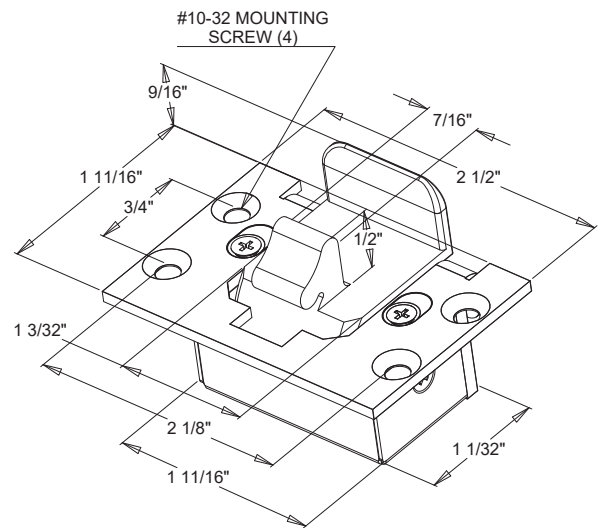
The only electric strike for use with Dor-O-Matic®

- Utilizes the reliable 3000F series mechanism.
- 1/8" Horizontal adjustment included.
- LC100 included - 12/24 AC/DC input with surge and kick back protection

VOLTAGE	PULL IN/HOLD AMPS	OHMS
12VDC	.743/.298	13
12VAC	.715/.277	13
24VDC	.397/.170	13
24VAC	.378/.173	13
DUTY: Intermittent/Continuous		

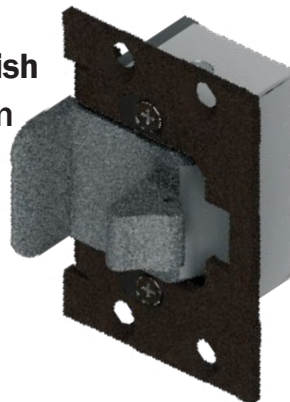


(actual size)



Features:

- Two faceplates provided, aluminum & dark bronze finish
- All stainless steel mechanism
- BHMA Grade 1
- 1,500 lbs holding force
- 500,000+ life cycles
- Horizontal adjustment
- Patented



Finishes:
3250SOM-LC-ALDB
(Aluminum & Dark Bronze Powder Coated Faceplates)

Price:
\$452

LC100 included

THE DEADBOLT SPLIT LATCH SOLUTION



4100DBDL

SPECIALIZED SOLUTIONS
ELECTRIC STRIKE SERIES

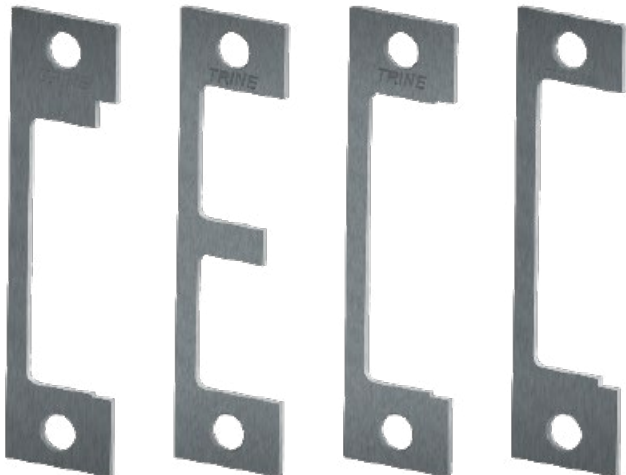


The only electric strike with two locking mechanisms that function separately.

Designed for deadbolt **privacy**, allowing for an emergency **override**.

Can be used for a night-latch function. *(Leave the deadbolt latch un-powered).*

4 Faceplates included



Best installation opportunities



BATHROOMS



LABORATORY



QUIET ROOM



DORM ROOMS



DOCTOR SLEEPING ROOMS



CLASSROOM LOCKDOWN



FACILITY ACCESS



CHICKEN HATCHERY

THE DEADBOLT SPLIT LATCH SOLUTION

Key Features:

- Two independently operated latch systems.
- Use with mortise locks with dead bolts up to 1" projection.
- **Flexible:** Always be prepared!
 - 4 faceplates included
 - 12 & 24DC, 12-24 AC, Low Current Draw
 - 1 Trim Skirt (matching finish)
- **Strong:** 2,000 lbs. holding force on each latch
- **Durable:** Exceeds 1,000,000 Life Cycles
- Works with the Schlage® L Series & Yale® 8700 Series **without** relocating mounting tabs.
- 1 - 11/16" backset.



Standards:

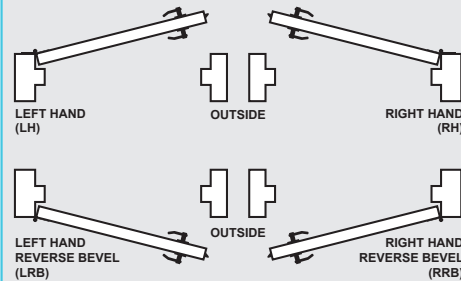
- 3-hour fire rated – UL10C, Fire Tests of Door Assemblies.
- BHMA Grade 1: ANSI/BHMA A156.5
- UBC 7-2, Uniform Building Code.
- CAN4 S104, Standard Method for Fire Tests of Door Assemblies.
- NFPA 252 - Issue: 1999/01/01 Standard Methods of Fire Tests of Door Assemblies.
- ANSI/BHMA A156.31-2007
- Patent pending.



Electric Characteristics *Per latch*

Voltage	Current/Amps	Ohms	Duty	Sound
12DC	0.240	50	Intm./Cont.	Silent
24DC	0.114	210	Intm./Cont.	Silent
12AC @ 60hz	0.210	50	Intm.	Buzz
16AC @ 60hz	0.280	50	Intm.	Buzz
24AC @ 60hz	0.420	50	Intm.	Buzz

HOW TO ORDER



Unit is Handed

HANDING OF DOOR IS ALWAYS DETERMINED FROM THE OUTSIDE.

4100DBDL Handing & Failsafe Chart

Both latches Fail Secure (unlocks with power):
4100DBDL-LH(finish)
4100DBDL-RH(finish)

Both latches Fail Safe (locks with power):
4100DBDL-RS-LH(finish)
4100DBDL-RS-RH(finish)

Top latch (only) is Fail Safe (locks with power):
4100DBDL-RST-LH(finish)
4100DBDL-RST-RH(finish)

Bottom latch (only) is Fail Safe (locks with power):
4100DBDL-RSB-LH(finish)
4100DBDL-RSB-RH(finish)

LB option on the 4100DBDL

Utilizes IR optical active sensor for the deadbolt and the the latchbolt, with mortise devices. Electrical information is the same as pg 35.

Price:

4100DBDL-32D (Satin Stainless Steel – BHMA630) **\$637**

The following finishes are:

- **4100DBDL-US4** (Satin Brass – BHMA606) **\$699**
- **4100DBDL-US10** (Satin Bronze – BHMA612)
- **4100DBDL-US10B** (Dark Bronze – BHMA613E)

The following finishes are:

- **4100DBDL-32** (Polished Stainless Steel – BHMA629) **\$742**
- **4100DBDL-US3** (Bright Brass – BHMA605)

To order Fail-safe see table to the right →

RS price same as above.

Add "LB" to the 4100DBDL or 4100DB

Example:
- 4100DBLB-32D

Dual Relay

add
\$150.00
to the base price

THE COMPLETE LINE OF ONE BOX SOLUTIONS

323478LC FOR CYLINDRICAL LOCKSETS

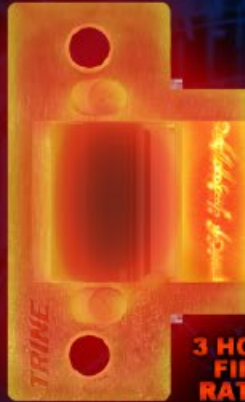


THE SMALLEST ELECTRIC STRIKE IN THE WORLD

323478F-LC

FOR CYLINDRICAL
LOCKSETS

THE SMALLEST
HEAVY DUTY
FIRE RATED
ELECTRIC STRIKE
IN THE WORLD



3 HOUR
FIRE
RATED



FOR CYLINDRICAL &
MORTISE LOCKS



4100

4 FACEPLATES
INCLUDED



3 HOUR
FIRE RATED

FOR RIM
PANIC EXIT
DEVICES

4800F



3 HOUR
FIRE RATED

FIRE RATED
AT NO
ADDITIONAL
COST

ENHANCED 4850

FOR RIM PANIC
EXIT DEVICES

HANDLES BOTH 1/2"
& 3/4" LATCHES

NOW HANDLES UP
TO A 1" LATCH



NOW
EVERYDAY LOW
CURRENT DRAW



4200 FOR CYLINDRICAL & DEADLATCHES



THE MOST FLEXIBLE STRIKE AVAILABLE!

EN400MRP

THE GATE SOLUTION
FOR CYLINDRICAL,
MORTISE, & RIM
PANIC EXIT DEVICES



OUTDOOR
RATED



3 HOUR
FIRE RATED

THE ONE BOX SOLUTION

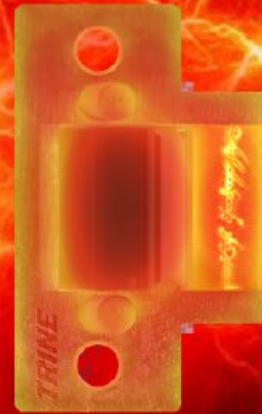
THE SMALLEST ELECTRIC STRIKE IN THE WORLD



**THE
STANDARD**



**HEAVY DUTY
FIRE RATED**



SMALL STRIKES - THE WAY YOU NEED THEM.



**MAKING SMALL STRIKE INSTALLATIONS
EVEN EASIER**

**CHECK OUT THE ANSI-ITL
ON PAGE 51**

Only 1" Total Backset 3000 Series



Key Features

- Accepts up to 5/8" latch throw
- 500,000 + life cycles
- 1,500 + lbs. holding force (1,200 lbs. for 334)
- Dynamic Force 70 ft/lb.
- Tested to Grade 1: BHMA - A156.31
- Fail-safe Option - "RS" (locks with power)

Standards

- 3000F models - UL 1034
3 hour fire rated



Note: 3000 series not recommended for use on uncovered exterior doors.

LC100

An external line conditioner regulating input voltages, 11-29 AC/DC, and conditions the output for the activation period. Provides current/voltage surge & kickback protection.

Price: \$67

Options

Piezo Buzzer for "Standard Models"

- BZ-12: Audible buzzer for 12DC power
- BZ-24: Audible buzzer for 24DC power

Price:

\$22

Piezo Buzzer for "LC Models"

- BZ-6: Audible buzzer for 6DC power

3000-AK: Accessories Kit for the 3000 series:

Includes: (2) 1/8" strike shims. (2) 1/16" faceplate shims
(2) 1/8" Horizontal adjustment tabs. (2) Long faceplate screws. (2) Short faceplate screws.

Price: \$28

MODEL	VOLTAGE	CURRENT/AMPS	OHMS	DUTY	SOUND	WIRE COLOR
3012	12VDC	.480	25	Intermittent	Silent	Blue
3024	24VDC	.240	100	Intermittent	Silent	White

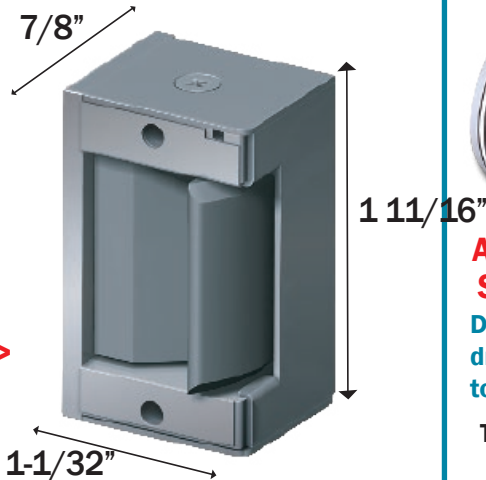
MODEL	VOLTAGE	PULL IN/HOLD AMPS	OHMS	DUTY	SOUND	WIRE COLOR
323478LC/ 323478FLC/ 30LC/ 30RS	12VDC	.743/.298	13	Intermittent/Continuous	Silent	Red
	12VAC	.715/.277	13	Intermittent/Continuous	Silent	Red
	24VDC	.397/.170	13	Intermittent/Continuous	Silent	Red
	24VAC	.378/.173	13	Intermittent/Continuous	Silent	Red

**** Must use LC100. LC Must be installed within 15' of the mechanism ****

3012 & 3024 Mechanism

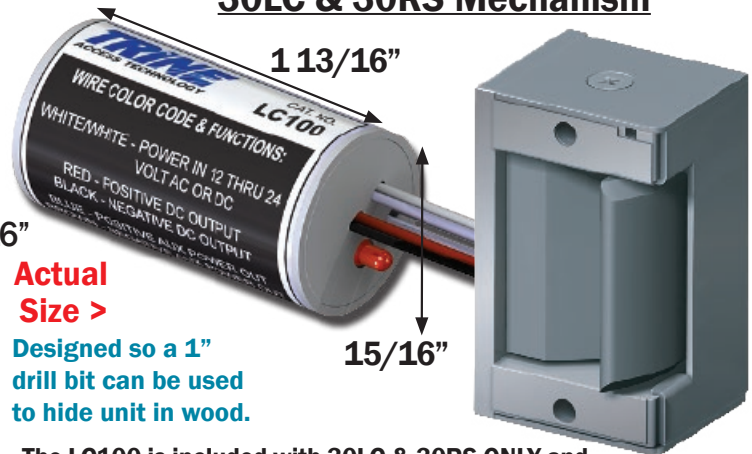
Included spacers increase cavity depth up to 1/8"

Actual Size >



Model	Voltage	Function	Duty	Price:
3012	12DC	Fail Secure	Intermittent	\$158
3024	24DC	Fail Secure	Intermittent	\$158

30LC & 30RS Mechanism



Actual Size >

Designed so a 1" drill bit can be used to hide unit in wood.

The LC100 is included with 30LC & 30RS ONLY and must be placed within 15' feet of mechanism!

Item	Voltage	Function	Duty	Price:
30LC	11-29AC/DC	Fail Secure	Continuous	\$199
30RS	11-29AC/DC	Fail Safe	Continuous	\$199

**** Must use included LC100 ****

Now pick a faceplate - starting on page 14-17

-or-

Make it easy And get a kit - next page

FOR CYLINDRICAL LOCKS

323478LC KIT

Price: \$260

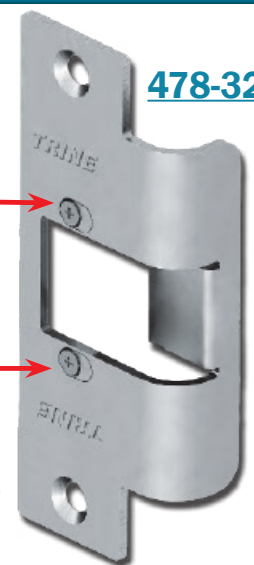
323478LC Includes: @@

- (1) 234-26D – 2 3/4" Faceplate
- (1) 234X-375-26D – 2 3/4" Faceplate with extended ramp
- (1) 478-32D – 4 7/8" Faceplate
- (1) 30LC - 11-29 AC & DC Mechanism



234-26D

For the smallest electric strike cutout!



478-32D

Patented horizontal adjustment feature – guaranteed not to move!



30LC



234X-26D

Designed for Timely®/Raco®/Redi®/IDP® Frames. Great for Wood!

Need an Installation Tool?
See page 51

FOR DEADLATCHES AND ALUMINUM FRAMES

3258458LC KIT

Finishes:
3258458LC-ALUM (Aluminum Powder Coat)
3258458LC-DKBZ (Dark Bronze Powder Coat – BHMA613E)
Price: \$286

3258458LC Includes:

- (1) 258 – 2 3/4" Faceplate
- (1) 458LH – 4 5/8" Left Handed Faceplate
- (1) 458RH – 4 5/8" Right Handed Faceplate
- (1) 30LC - 11-29 AC & DC Mechanism

80% LESS FRAME CUTTING.

Smallest aluminum solution available - Great for glass store fronts

Fills frame preparation for many Adams Rite® Locks without relocating tabs.



458RH



458LH



258



30LC

See page 18 for cut out details.

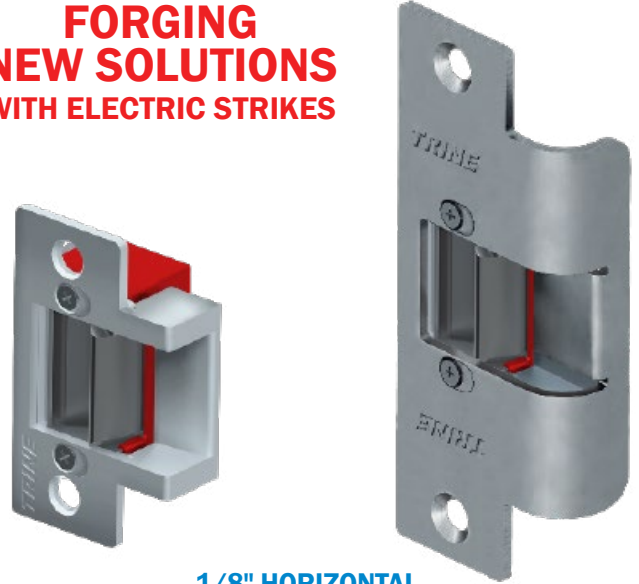
THE FIRE RATED SOLUTION
SMALLEST ELECTRIC STRIKE IN THE WORLD



323478F-LC KIT

- Heavy Duty Stainless Steel Construction
- 1" Total Backset
- 1/8" Horizontal Adjustment
- 12-24 AC & DC - surge & kickback protection
- Includes LC100 & Trim skirt (CCFP)

**FORGING
 NEW SOLUTIONS
 WITH ELECTRIC STRIKES**



**1/8" HORIZONTAL
 ADJUSTMENTS ON ALL
 FACEPLATES**

Standards:

- 3-hour fire rated – UL10C, Fire Tests of Door Assemblies.
- Tested to Grade 1 - Heavy Duty



NOTE: Fire listing is always void when using fail safe action.

VOLTAGE	PULL IN/HOLD AMPS	OHMS	DUTY
12VDC	.743/.298	13	Intermittent/Continuous
12VAC	.715/.277	13	Intermittent/Continuous
24VDC	.397/.170	13	Intermittent/Continuous
24VAC	.378/.173	13	Intermittent/Continuous

Price:

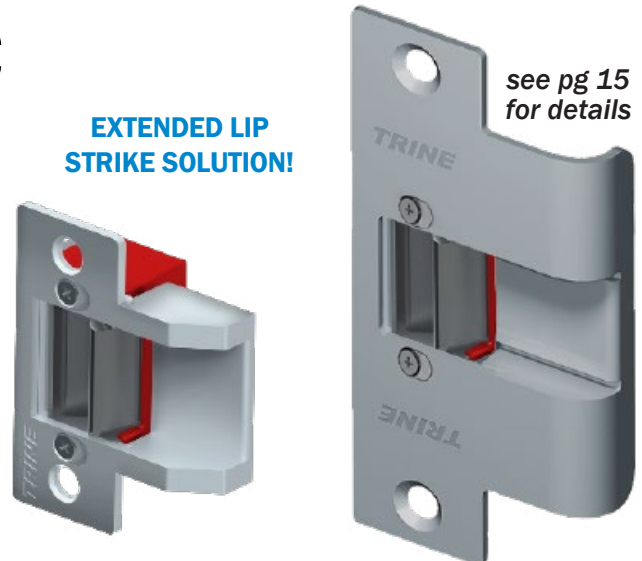
- 323478F-LC-32D** \$431
(Satin Stainless Steel – BHMA630)
- 323478F-RS-32D** \$431
(Satin Stainless Steel – BHMA630)
- 323478F-LC-DKBZ** \$452
(Dark Bronze Powder Coat – BHMA613E)
- 323478F-RS-DKBZ** \$452
(Dark Bronze Powder Coat – BHMA613E)

**Need an
 Installation
 Tool?
 See page 51**

323478FX-LC

- Same features as above!
- Contains the 478X-375 Faceplate for Timely®/Redi®/Raco®/IDP® Frames (instead of the 478 Faceplate.)

**EXTENDED LIP
 STRIKE SOLUTION!**



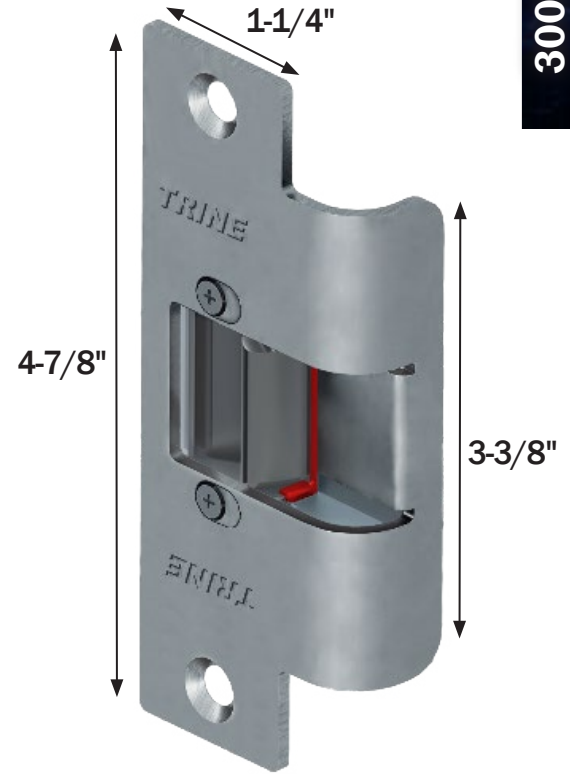
see pg 15
 for details

Price:

- 323478FX-LC-32D** \$452
(Satin Stainless Steel – BHMA630)
- 323478FX-LC-DKBZ** \$472
(Dark Bronze Powder Coat – BHMA613E)

3478F

- Heavy duty stainless steel construction
- 1" total backset
- 1/8" horizontal adjustment
- Two 1/16" shims for depth adjustment
- Trim skirt (CCFP) included (see pg 14)
- 3478F-LC includes LC100



	VOLTAGE	AMPS	OHMS	DUTY
3478F-12DC	12VDC	.480	25	Intermittent
3478F-24DC	24VDC	.240	100	Intermittent

	VOLTAGE	PULL IN/HOLD AMPS	OHMS	DUTY
3478F-LC	12VDC	.743/.298	13	Intermittent/Continuous
3478F-LC	12VAC	.715/.277	13	Intermittent/Continuous
3478F-RS	24VDC	.397/.170	13	Intermittent/Continuous
3478F-RS	24VAC	.378/.173	13	Intermittent/Continuous

Standards:

- 3-hour fire rated – UL10C, Fire Tests of Door Assemblies.
- Tested to Grade 1 - Heavy Duty

NOTE: WH fire listing is void when using fail safe action.



Need an Installation Tool?
See page 51

Price:	
3478F-LC-32D (Satin Stainless Steel – BHMA630)	\$380
3478F-RS-32D (Satin Stainless Steel – BHMA630)	
3478F-LC-DKBZ (Dark Bronze Powder Coat – BHMA613E)	\$390
3478F-RS-DKBZ (Dark Bronze Powder Coat – BHMA613E)	
3478F-12DC-32D (Satin Stainless Steel – BHMA630)	\$350
3478F-24DC-32D (Satin Stainless Steel – BHMA630)	
3478F-12DC-DKBZ (Dark Bronze Powder Coat – BHMA613E)	\$371
3478F-24DC-DKBZ (Dark Bronze Powder Coat – BHMA613E)	

FIRE RATING IS THE EVERYDAY STANDARD

Compare the 3478F, the 323478F, the 4800F for rim panics, or even the outdoor rated EN400 against the competition.

We offer a stronger, more durable, fire rated product... for less.

THE SMALLEST ELECTRIC STRIKE IN THE WORLD
THE 3000 SERIES

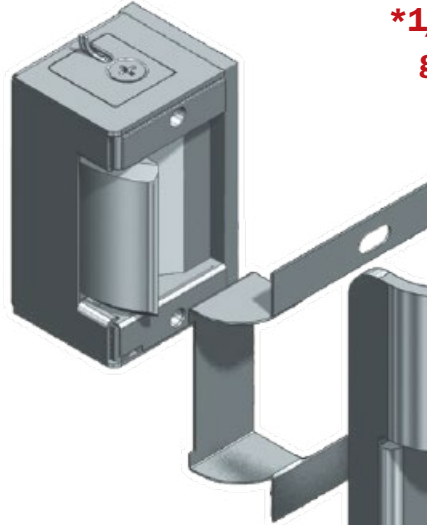


478

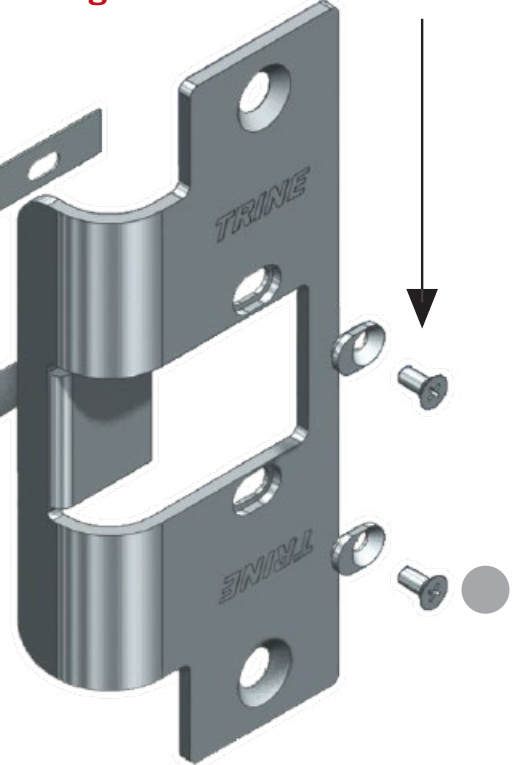
Adjustable 4-7/8" ANSI standard faceplate



For new or replacement installation in wood or metal or frames. Use with cylindrical locksets having up to 5/8" throw, based on 1/8" door gap.



***1/8" horizontal adjustment guaranteed to never move.**



478-CCFP INCLUDED WITH THE 478 FACEPLATE!

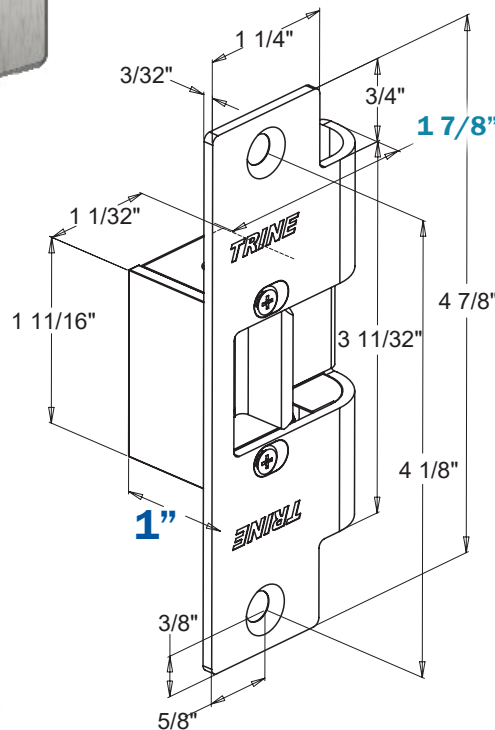
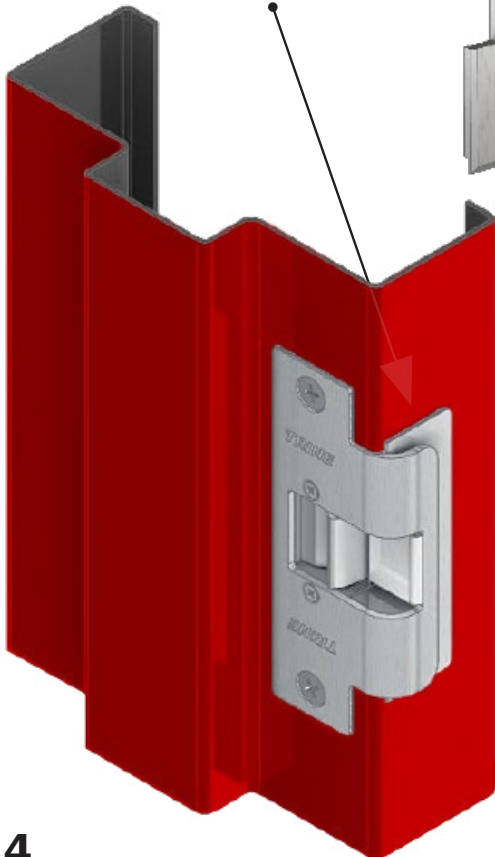
Competitor Cutout Filler Plate

Stainless plate designed to fill in the cut left by competitor models.



60% LESS CUTTING of Frame Face for ANSI 4 7/8" pre-prep frames.

No ugly black ramp!



Price:

478-32D (Satin Stainless Steel - BHMA630)	\$39
478-32 (Polished Stainless Steel - BHMA629)	\$64
478-US10B (Dark Bronze Powder Coat - BHMA613E)	\$55
478-US3 (Bright Brass - BHMA605)	\$71
478-US4 (Satin Brass - BHMA606)	\$59

RD (Radiused Corners) add \$5

478RO and 478LO (drop plates) are same cost as above.

**Match with any 3000 Mechanism:
3012, 3024, 30LC, 30RS**

Need an Installation Tool?
See page 51

478X-375

Adjustable Extended Lip Faceplate



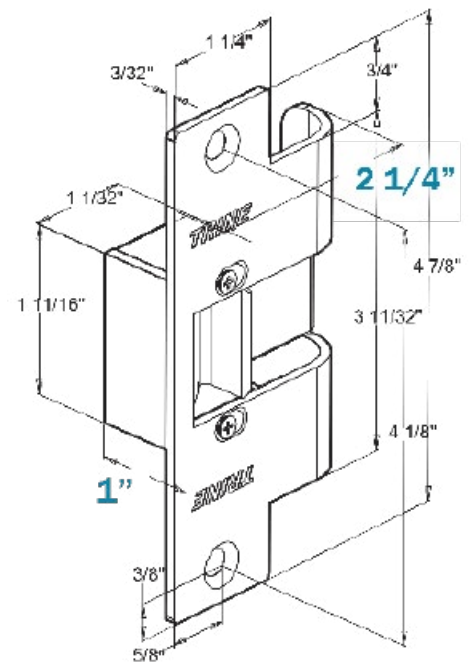
Made for
**Timely®/Raco® /
Redi®/IDP® Frames**

**Need Fire
Rated?**
See pg 12 for
the
323478FX-LC
**3 hour fire rated
version**

Frame features an extended ramp to accommodate additional face of Timely®/Redi®/Raco®/IDP® frames. Use with cylindrical locksets and deadlatches having up to 5/8" throw, based on 1/8" door gap.

Provides the only professionally finished look for wood frames with trim.

Ramp Extends
.375"



GOODBYE UNATTRACTIVE BLACK RAMPS!

- Extended ramp (.375") accommodates snap-on additional frame face of Timely® & Redi® Frames.
- Eliminates traditional 4 7/8" ANSI strike cutting and black ramp extensions.
- 1/8" Horizontal Adjustments help prevent door pre-load.

See page 21 for wood and metal frame preps.

Price:

478X-375-32D \$56

(Satin Stainless Steel – BHMA630)

478X-375-US10B \$72

(Dark Bronze Powder Coat – BHMA613E)

478X-375-US3 \$80

(Bright Brass – BHMA605)

RD (Radiused Corners)

add \$5

Match with any 3000 Mechanism:
3012, 3024, 30LC, 30RS

478LO / 478RO Faceplate

Same dimensions as 478 - except 3/16" lower cavity offset.

60% LESS FRAME CUTTING of Frame Face for ANSI 4 7/8" pre-prep frames. The strike opening on this face plate is **offset by 3/16"** from the center to accommodate door sag for the 478 (just change faceplates, and use the same mechanism)

**Accommodates for
door sag.**

See page 14, the 478,
for pricing and finish.

THE SMALLEST ELECTRIC STRIKE IN THE WORLD

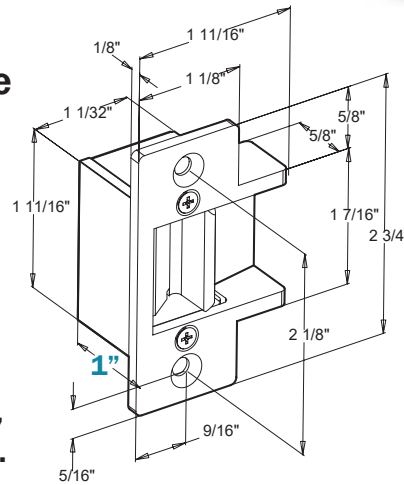
THE 3000 SERIES



234 / 234F Faceplate

Smallest Electric Strike in the World

For new or replacement installations in metal frames. Use with cylindrical locksets having up to 5/8" throw, based on 1/8" door gap.



Price:

- 234-26D** (Satin Chrome – BHMA651) **\$28**
- 234-US10B** (Dark Bronze Powder Coat – BHMA613E) **\$32**

****NEW****

- 234F-32D** (Satin Stainless Steel – BHMA630) **\$50**
- 234F-US3** (Bright Brass – BHMA605) **\$76**

Match with any 3000 Mechanism: 3012, 3024, 30LC, 30RS

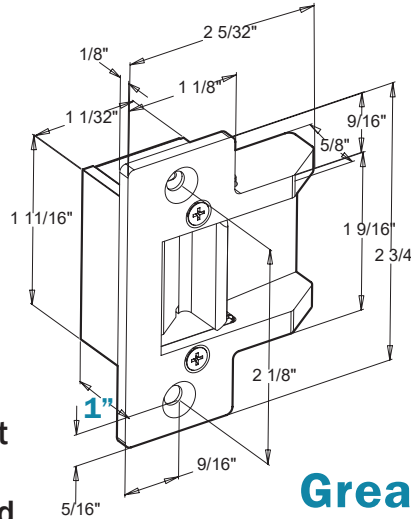
Smallest faceplate for the smallest strike in the world!



234X-375

Extended Faceplate

Standard ANSI prep features an extended ramp to accommodate additional face of Timely®/Redi®/Raco®/IDP® frames. Ramp is extended 3/8". For new or replacement installations. Use with cylindrical locksets having up to 5/8" throw, based on 1/8" door gap.



Price:

- 234X-375-26D** (Satin Chrome – BHMA651) **\$33**
- 234X-375-US10B** (Dark Bronze Powder Coat – BHMA613E) **\$37**

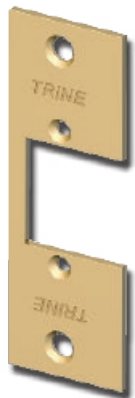
****NEW****

- 234FX-375-32D** (Satin Stainless Steel – BHMA630) **\$55**
- 234FX-375-US3** (Bright Brass – BHMA605) **\$80**

Match with any 3000 Mechanism: 3012, 3024, 30LC, 30RS

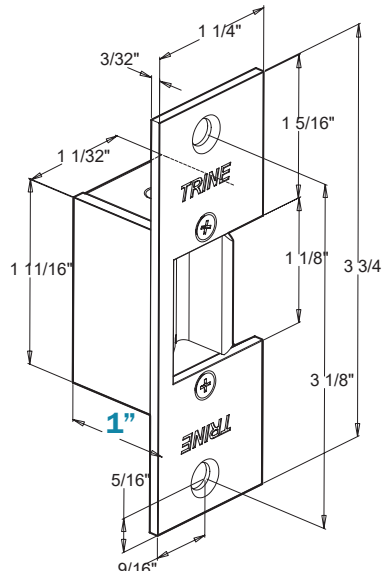
Great for wood frames!

Made for Timely®/Raco®/Redi®/IDP® Frames



334 Faceplate

For new or replacement installations in wood frames. Use with cylindrical locksets with up to 5/8" throw, based on 1/8" door gap.



Price:

- 334-26D** (Satin Chrome – BHMA651) **\$34**
- 334-US3** (Bright Brass – BHMA605) **\$40**
- 334-US4** (Satin Brass – BHMA606) **\$38**

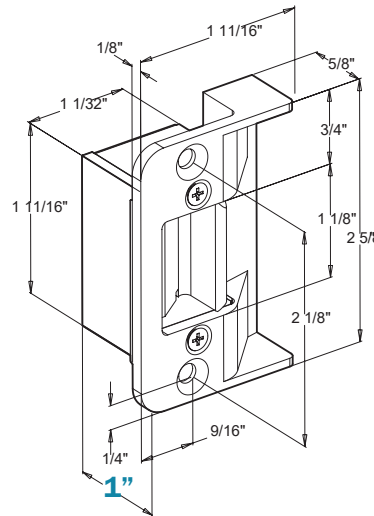
Match with any 3000 Mechanism: 3012, 3024, 30LC, 30RS



258 Faceplate

80% less frame cutting when compared to typical 4 7/8" electric strike installations.

For new or replacement installations in aluminum frames. Use with 4510, 4710 & 4750 Adams Rite® dead latches. Replaces 4502 strike plate with slight modification.



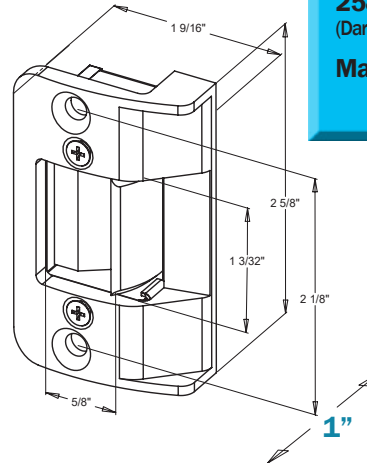
Price:
258-26D \$34
 (Satin Chrome – BHMA651)
258-US10B \$37
 (Dark Bronze Powder Coat – BHMA613E)
 Match with any 3000 Mechanism: 3012, 3024, 30LC, 30RS



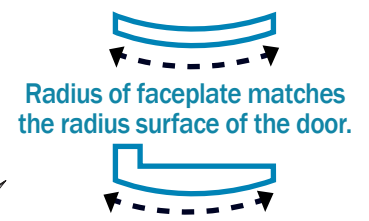
258RD Radius Faceplate

80% less door cutting when compared to typical 4 7/8" electric strike installations.

For new or replacement installations in aluminum doors. Use with 4510, 4710 & 4750 Adams Rite® dead latches. Replaces 4502 & 4900 strike plate with slight modification.



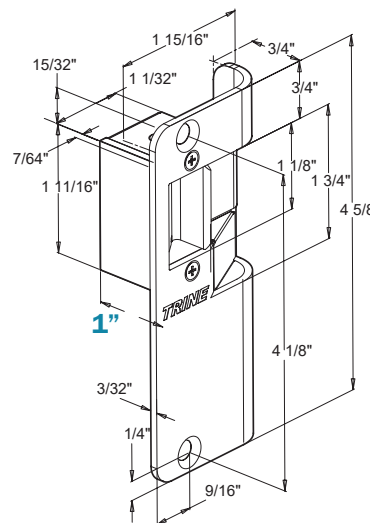
Price:
258RD-26D \$36
 (Satin Chrome – BHMA651)
258RD-US10B \$41
 (Dark Bronze Powder Coat – BHMA613E)
 Match with any 3000 Mechanism: 3012, 3024, 30LC, 30RS



458 Faceplate

80% LESS FRAME CUTTING.

Fills the frame preparation of Adams Rite® MS Locks without relocating tabs for 6 7/8" electric strikes. For new or replacement installations in aluminum frames. Replaces Adams Rite® 4730/4501 strike plate with slight frame modification.



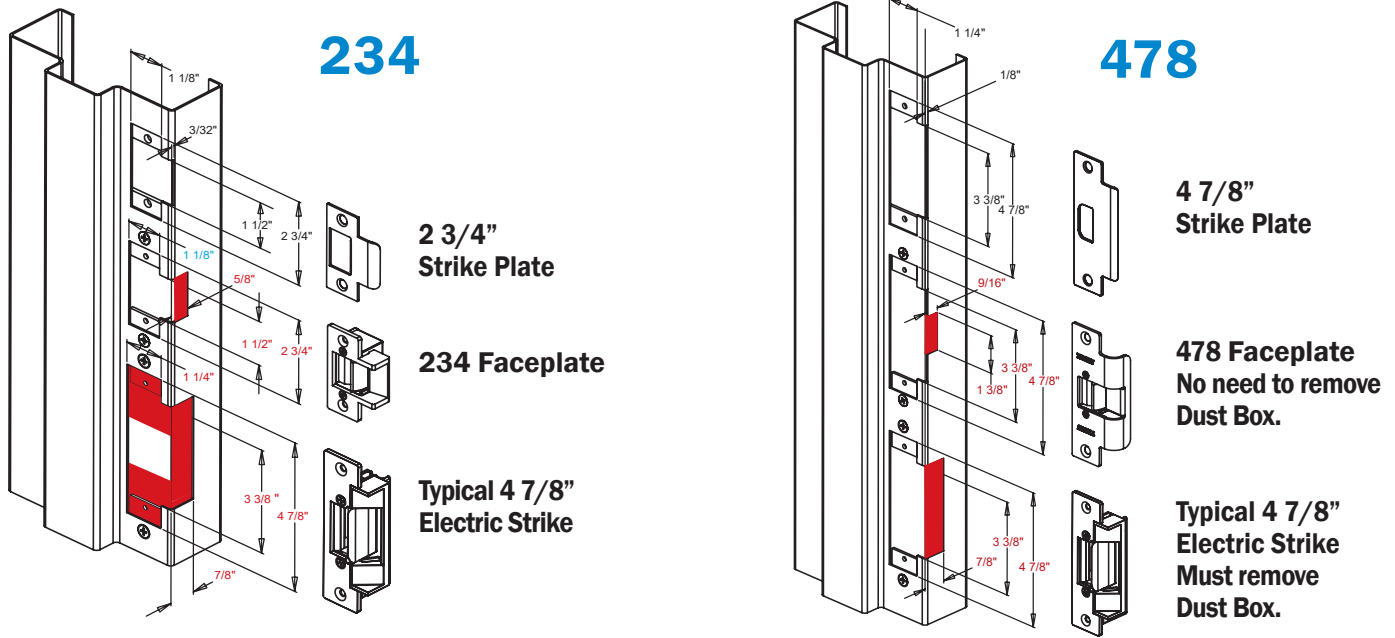
Price:
458-ALUM \$63
 (Aluminum Powder Coat)
458-DKBZ
 (Dark Bronze Powder Coat – BHMA613E)
 Match with any 3000 Mechanism: 3012, 3024, 30LC, 30RS
****Must Specify Handing****
RH or LH

RH-Right Handed Strike Shown

LESS CUTTING IS BETTER THE 3000 SERIES

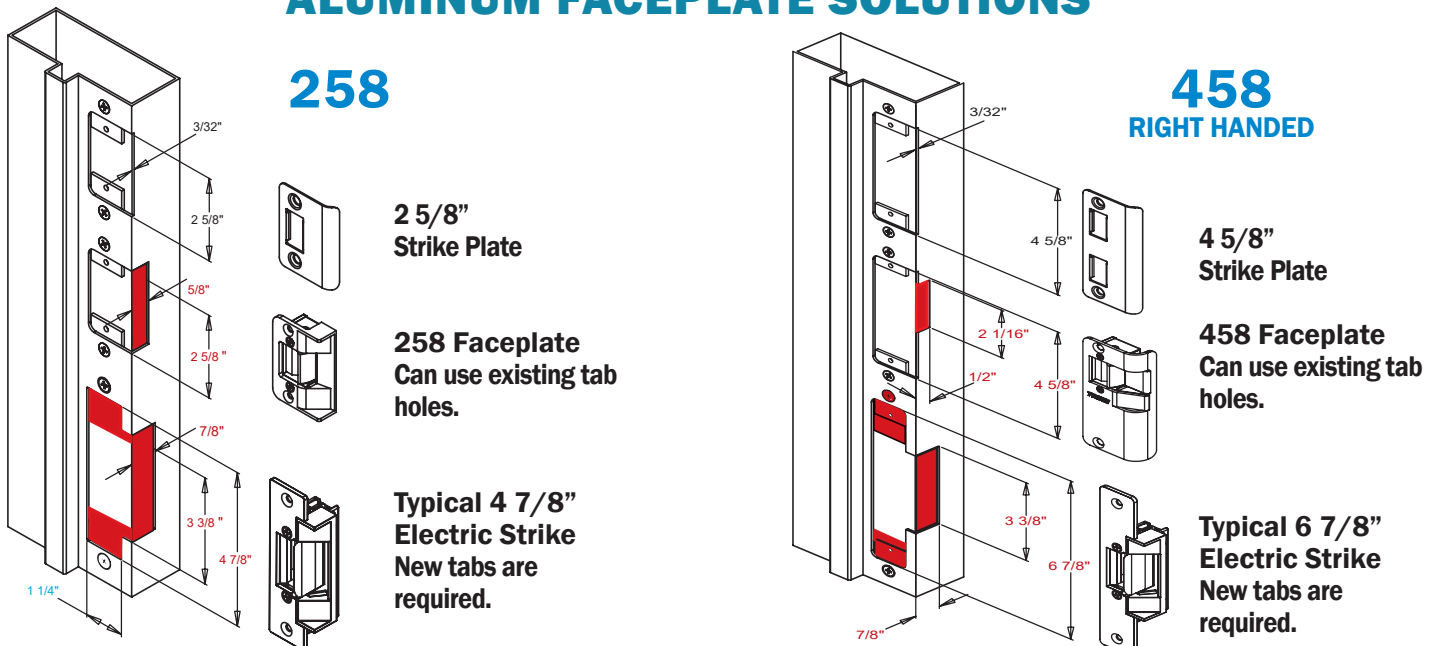


ANSI FACEPLATE SOLUTIONS



RED ON DIAGRAMS = AMOUNT OF CUTTING

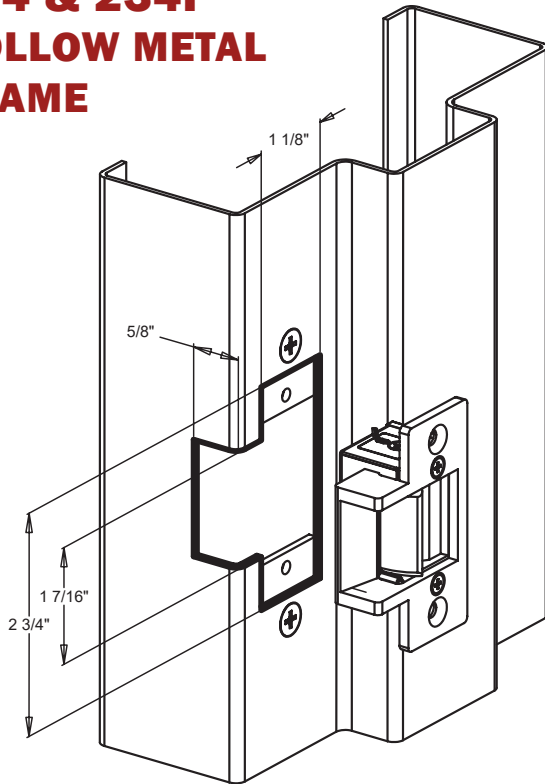
ALUMINUM FACEPLATE SOLUTIONS



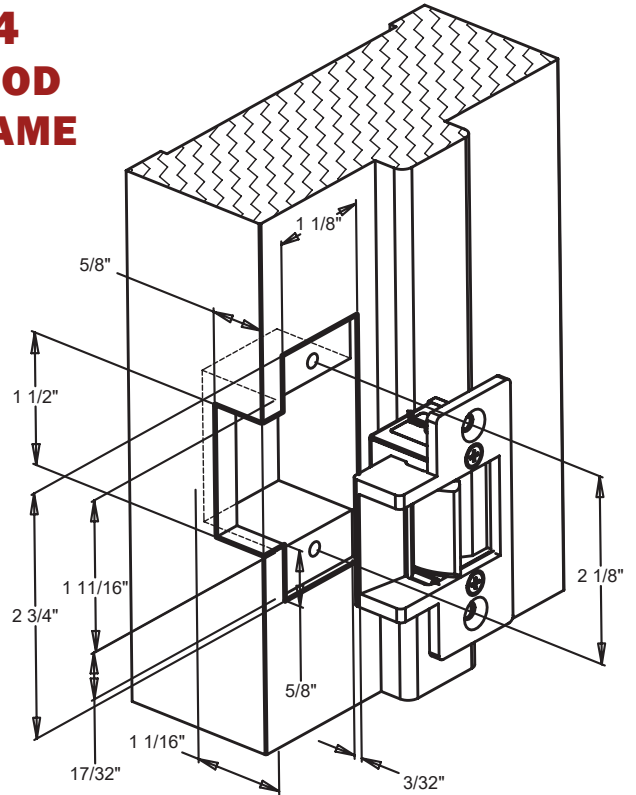
3000 SERIES STRIKES REDUCE AMOUNT OF LABOR, TIME, AND MATERIAL LOST ON DOOR FRAME

Note: 3000 series strikes not recommended for use on uncovered exterior doors.

**234 & 234F
HOLLOW METAL
FRAME**

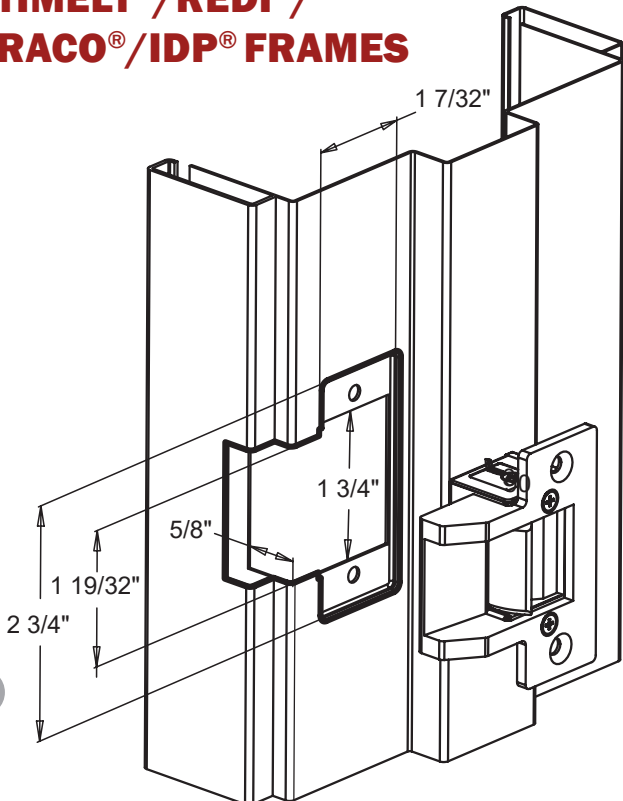


**234
WOOD
FRAME**

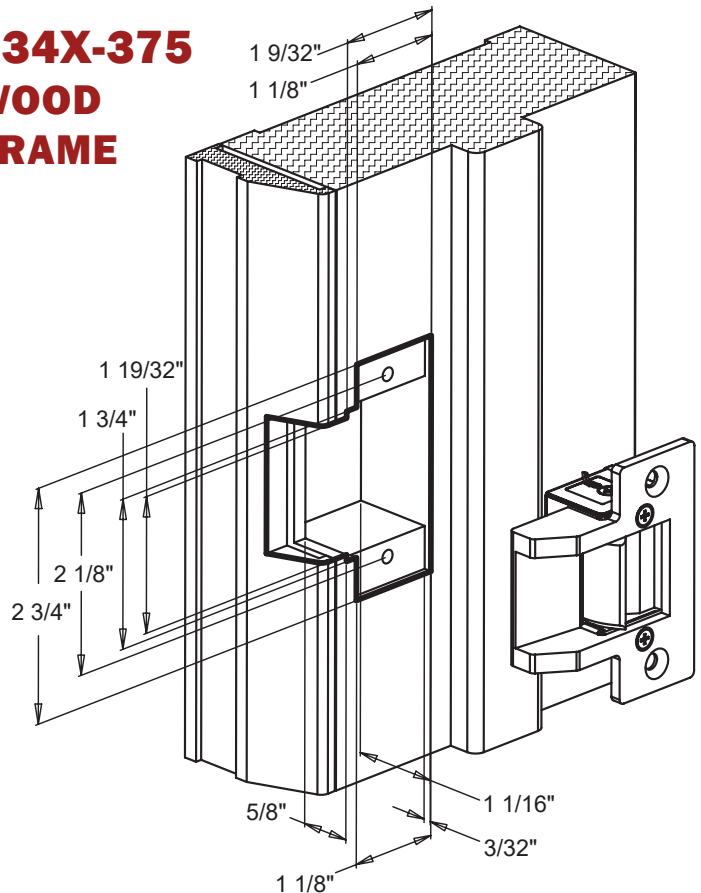


NOTE: USE 2 INCH LONG (OR LONGER) WOOD SCREWS FOR MOUNTING.

**234X-375 & 234FX-375
TIMELY®/REDI®/
RACO®/IDP® FRAMES**



**234X-375
WOOD
FRAME**

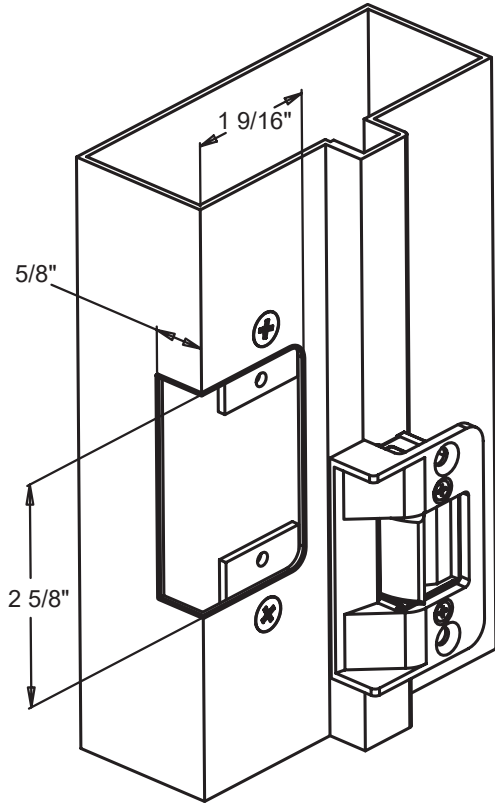


NOTE: USE 2 INCH LONG (OR LONGER) WOOD SCREWS FOR MOUNTING.

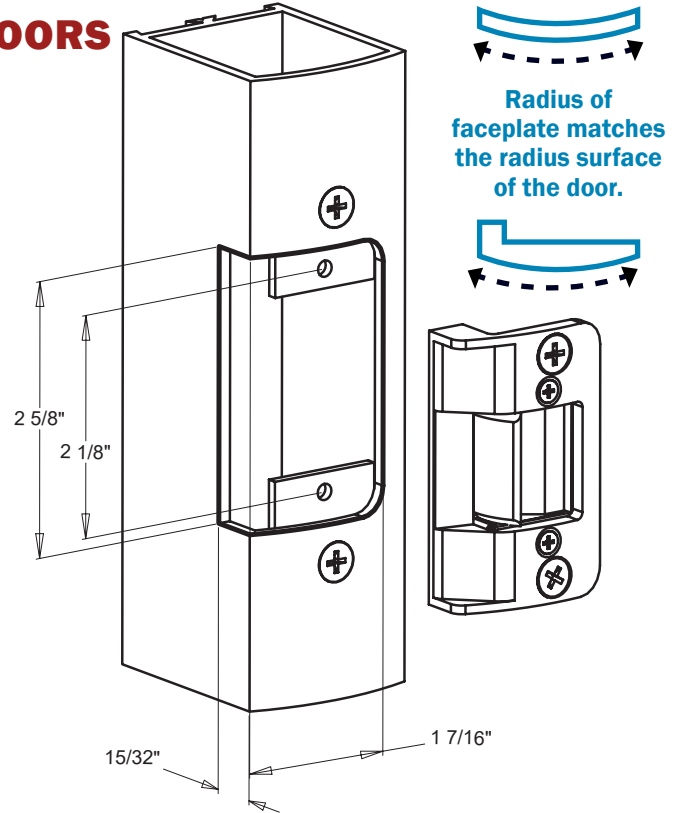
FRAME PREPS THE 3000 SERIES



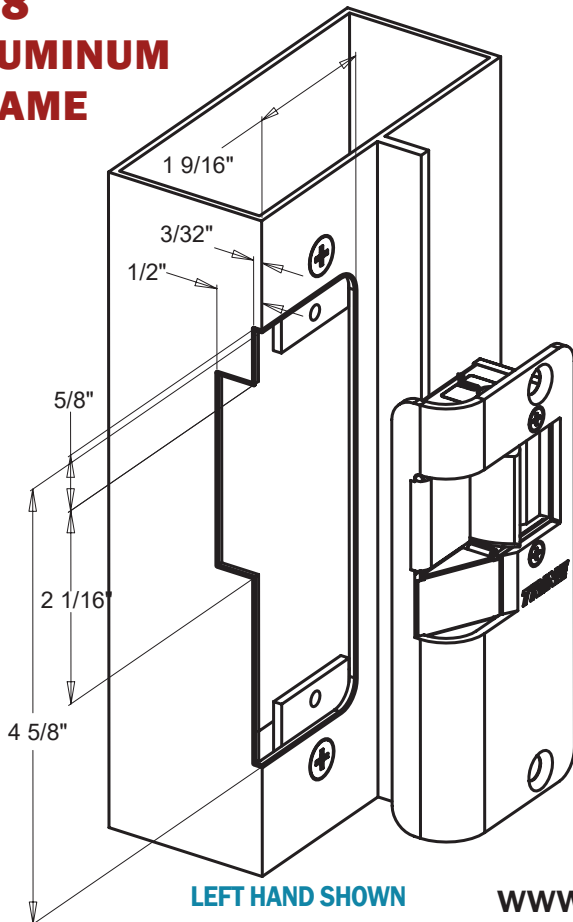
258 ALUMINUM FRAME



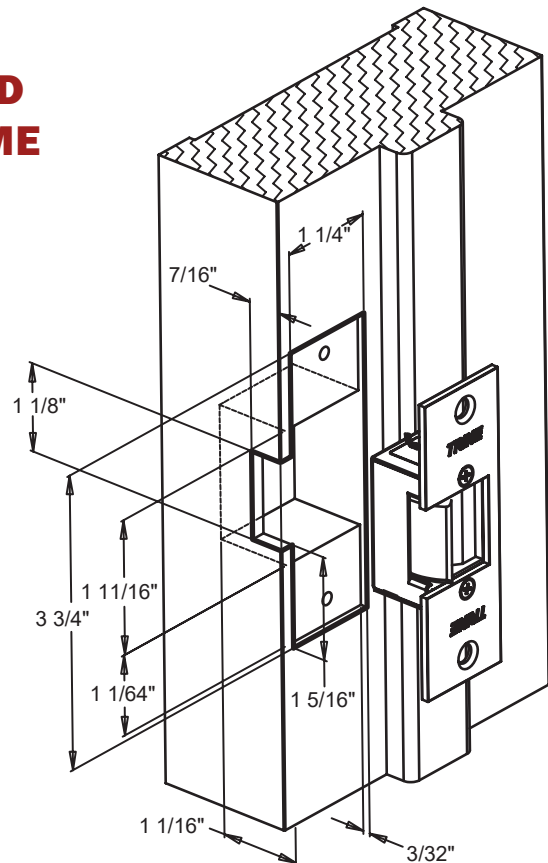
258RD ALUMINUM DOORS



458 ALUMINUM FRAME

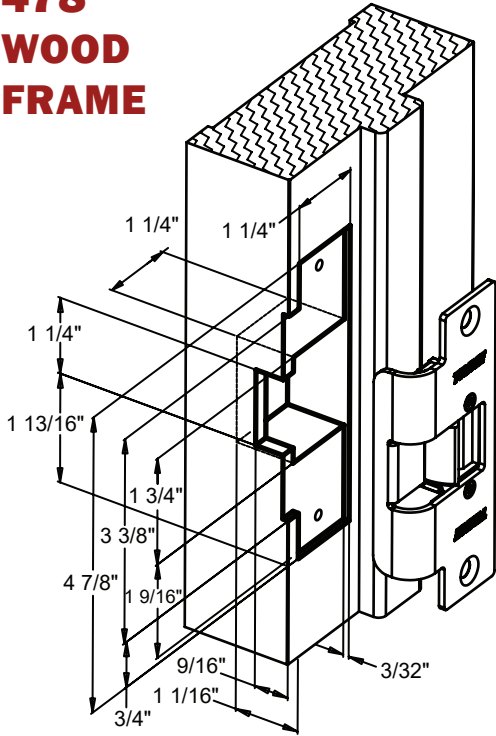


334 WOOD FRAME



NOTE: USE 2 INCH LONG (OR LONGER) WOOD SCREWS FOR MOUNTING.

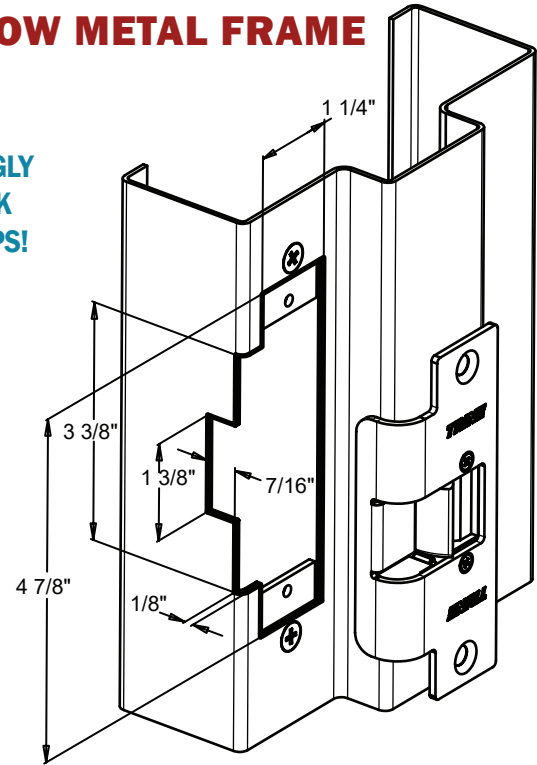
478
WOOD
FRAME



NOTE: USE 2 INCH LONG (OR LONGER) WOOD SCREWS FOR MOUNTING.

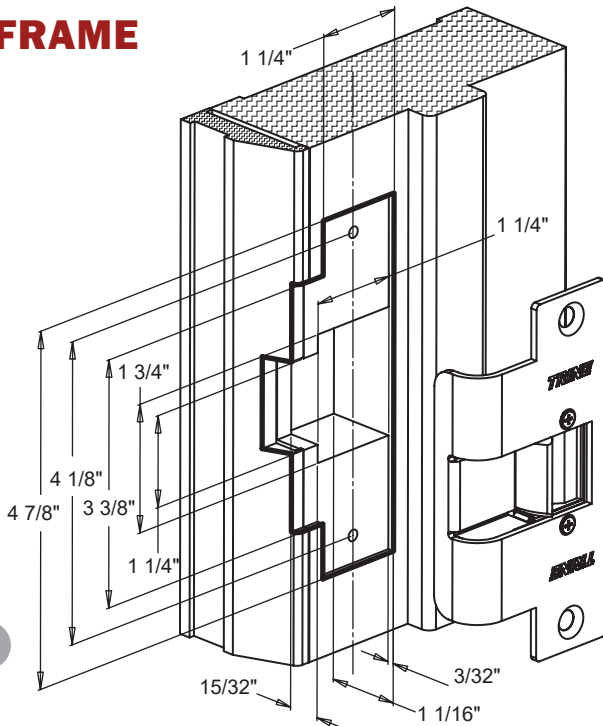
478 & 323478F-LC
HOLLOW METAL FRAME

NO UGLY
BLACK
RAMPS!



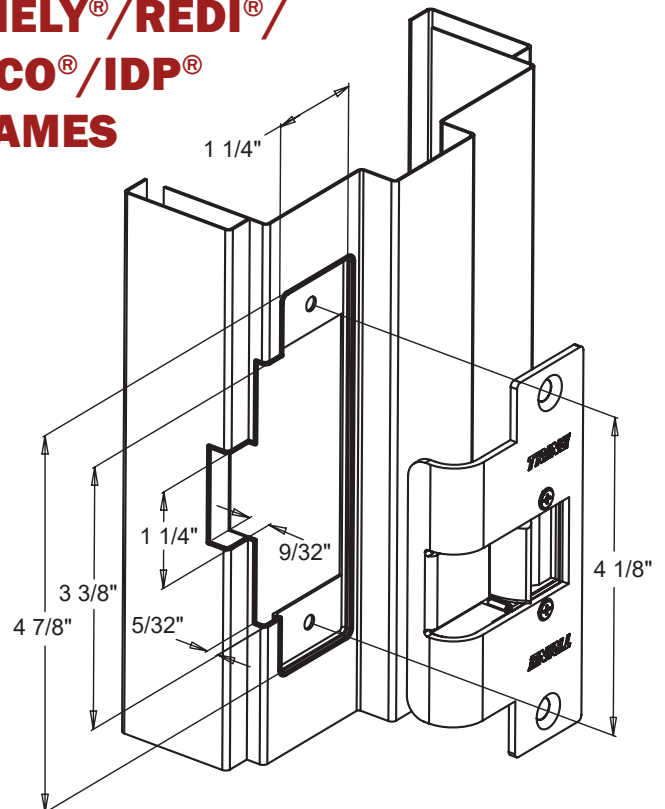
478X-375
WOOD
FRAME

BEST LOOKING WOOD
INSTALLATION



NOTE: USE 2 INCH LONG (OR LONGER) WOOD SCREWS FOR MOUNTING.

478X-375 & 323478FX-LC
TIMELY®/REDI®/
RACO®/IDP®
FRAMES



THE ONE BOX SOLUTION

FOR CYLINDRICAL AND MORTISE LOCKS

4100



4100DB & 4100CDBM

**SINGLE LATCH - NIGHTLATCH ONLY
FUNCTION FROM THE 4100 SERIES**

**SIMPLE TO USE, NO HANDING,
ALL THE SAME GREAT QUALITIES AS
THE 4100 ELECTRIC STRIKE**

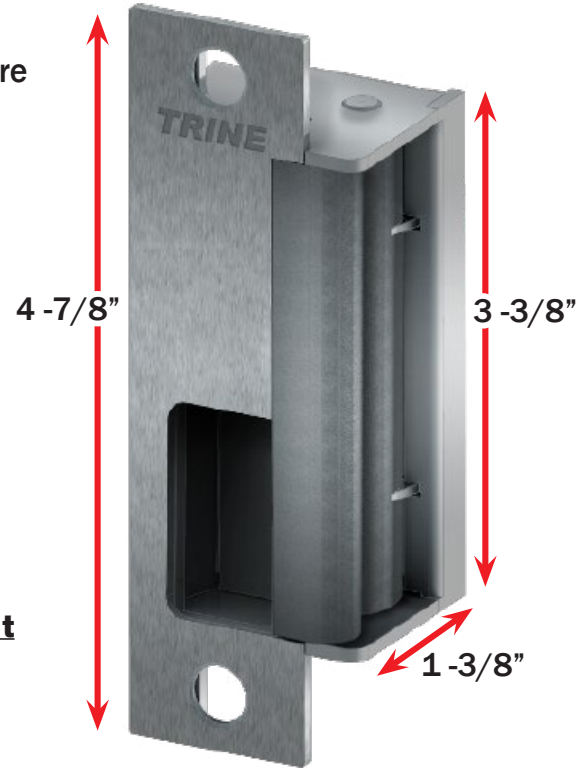
Key Features:

Use with cylindrical locksets, mortise locks without dead bolts and mortise exit devices.

- 1 - 3/8" shallow backset allows the 4100 to be used in 2" fire rated frames with 1/2" sheetrock ingress.
- **Flexible:** Always be prepared!
 - 4 faceplates included
 - 12 & 24DC, 12-24 AC, Low Current Draw
 - 1 Trim Skirt (matching finish) which covers competitor cutouts
- **Strong:** 3,000 lbs. of Holding Force (factory tested)
- **Durable:** Exceeds 1,000,000 Life Cycles
- Works with the Schlage® L Series & Yale® 8700 Series **without** relocating mounting tabs.



4100



Standards:

- 3-hour fire rated – UL10C, Fire Tests of Door Assemblies.
- Listed for UL1034 Burglary Resistant Electric Locking Mechanism, Grade 1
- 294 (6th Edition) Listed
- Tested to Grade 1: ANSI/BHMA A156.5
- UBC 7-2, Uniform Building Code.
- CAN4 S104, Standard Method for Fire Tests of Door Assemblies.
- NFPA 252 - Issue: 1999/01/01 Standard Methods of Fire Tests of Door Assemblies.
- USPT Patented #US20110241361

NOTE: Fire listing is always void when using fail safe action.



Everything included.



Premium stainless steel trim skirt



www.trineonline.com

See the video!

"trineonline.com/4100_electric_strike_video.php"



Use your phone camera!

**Need an Installation Tool?
See page 51**

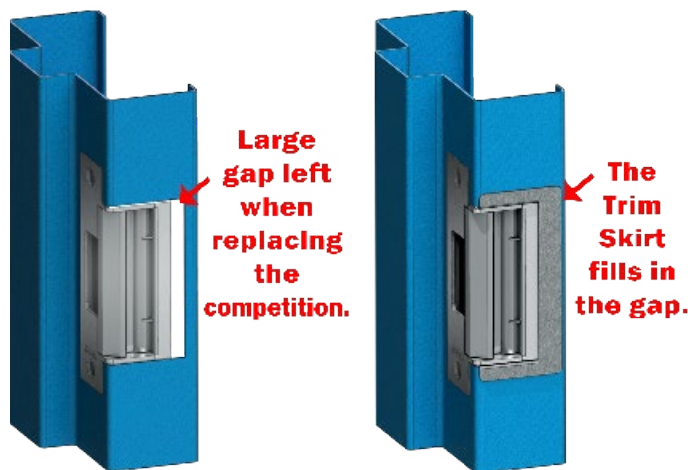
THE ONE BOX SOLUTION FOR CYLINDRICAL AND MORTISE LOCKS



Aesthetics Matter

The Premium stainless steel trim skirt cleans up the cut line.

Not worrying about a perfect cut on the face saves time and looks great. Since aesthetics matter, the premium trim skirt ALWAYS matches the finish on the faceplates and electric strike body.



Large gap left when replacing the competition.

The Trim Skirt fills in the gap.

Cutting Matters

1 - 3/8" Low profile backset provides ease of installation.

Why cut for a deadbolt 100% of the time when they are only used 5% of the time.



Electric Characteristics

Voltage	Current/Amps	Ohms	Duty	Sound
12DC	0.240	50	Intm./Cont.	Silent
24DC	0.114	210	Intm./Cont.	Silent
12AC @ 60hz	0.210	50	Intm.	Buzz
16AC @ 60hz	0.280	50	Intm.	Buzz
24AC @ 60hz	0.420	50	Intm.	Buzz

No additional "pacs" required.

Power Matters

Low Current Draw
.240 Amp at 12DC makes it very PoE Friendly

12 & 24DC :: 12 through 24AC
All the low voltage flexibility you need.

Low current draw, under 250 mA for 12DC, solves a number of installation and network load issues.



Price:

4100-32D (Satin Stainless Steel – BHMA630) **\$553**

The following finishes are: \$644

- 4100-US4 (Satin Brass – BHMA606)
- 4100-US10 (Satin Bronze – BHMA612)
- 4100-US10B (Dark Bronze – BHMA613E)
- 4100-BLK (Black Powder Coat)

The following finishes are: \$699

- 4100-32 (Polished Stainless Steel – BHMA629)
- 4100-US3 (Bright Brass – BHMA605)

For Fail-safe action (locks with power) add "RS" to the item number. EX: 4100RS-32D

RS price same as above.

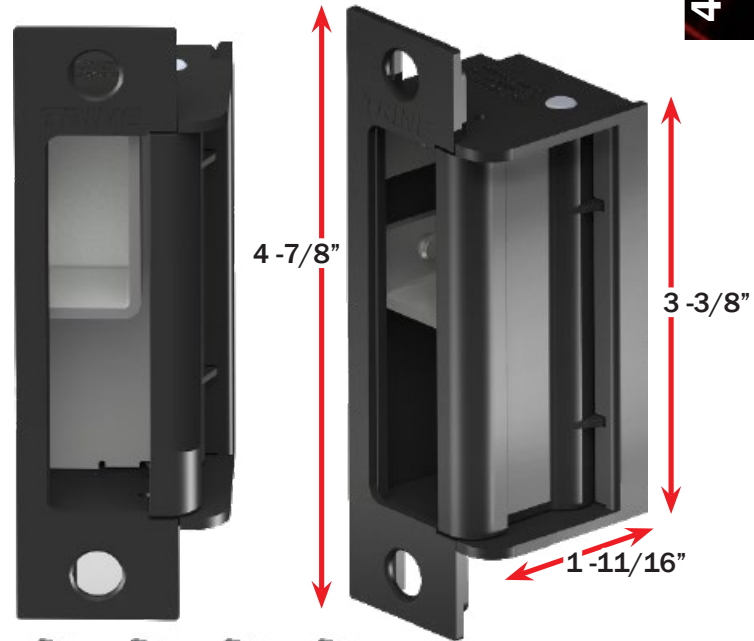
Faceplates, strike body, mounting screws, latch, and trim skirt all match the finish.

Key Features:

For use on mortise locks with deadbolts.
Night latch functionality included.

- Includes 4 faceplates and nightlatch bracket.
- Use with mortise locks with dead bolts up to 1" projection.
- **Flexible:**
 - 4 faceplates & trim skirt included
 - Same standards & electrical characteristics as the 4100 (pg 23 & 24)

4100DB



4 faceplates and bracket included

Price:

4100DB-32D (Satin Stainless Steel – BHMA630) **\$565**

The following finishes are:

- **4100DB-US4** (Satin Brass – BHMA606) **\$637**
- **4100DB-US10** (Satin Bronze – BHMA612)
- **4100DB-US10B** (Dark Bronze – BHMA613E)
- **4100DB-BLK** (Black Powder Coat)

The following finishes are:

- **4100DB-32** (Polished Stainless Steel – BHMA629) **\$695**
- **4100DB-US3** (Bright Brass – BHMA605)

For Fail-safe action (locks with power) add "RS" to the item number. EX: 4100DBRS-32D **RS price same as above.**

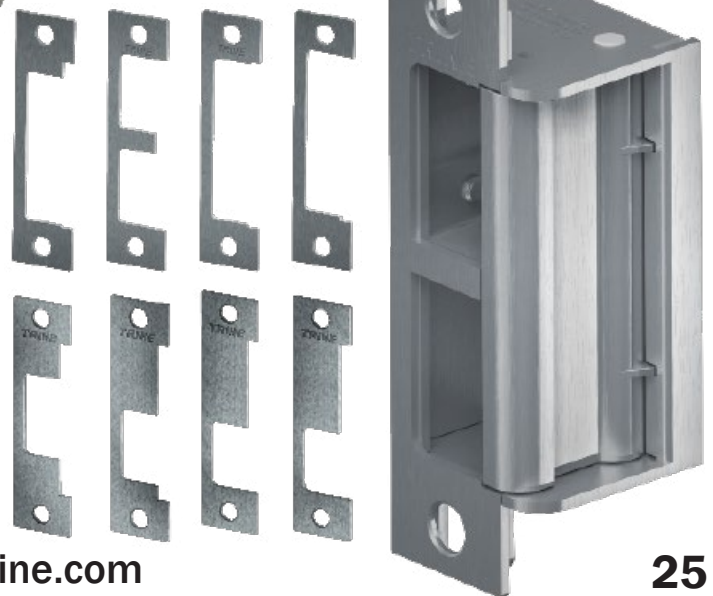
Key Features:

All the features of the 4100DB
Includes **8** faceplates & nightlatch bracket.

The One Box Solution for Cylindrical, Mortise, and Deadbolts.

4100CDBM

Always be prepared!



Price:

4100CDBM-32D (Satin Stainless Steel – BHMA630) **\$617**

The following finishes are:

- **4100CDBM-US4** (Satin Brass – BHMA606) **\$695**
- **4100CDBM-US10** (Satin Bronze – BHMA612)
- **4100CDBM-US10B** (Dark Bronze – BHMA613E)
- **4100CDBM-BLK** (Black Powder Coat)

The following finishes are:

- **4100CDBM-32** (Polished Stainless Steel – BHMA629) **\$797**
- **4100CDBM-US3** (Bright Brass – BHMA605)

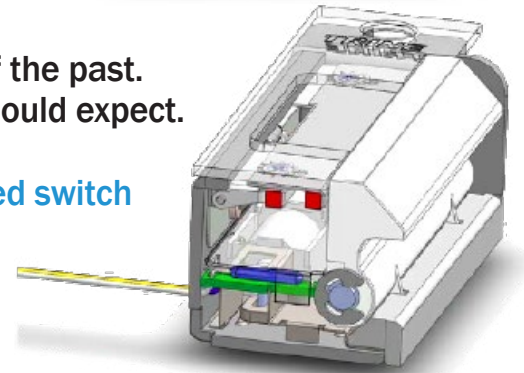
For Fail-safe action (locks with power) add "RS" to the item number. EX: 4100CDBMRS-32D **RS price same as above.**

4100 Accessories



4100LB

The microswitches you've used for 30 years are a thing of the past. They are affected by moisture and fail sooner than you should expect.



The Trine LB AND LBSM make use of a sealed magnetic reed switch that is moisture and environmentally resistant with a life cycle count in excess of 2 million cycles.

Stop replacing strikes due to low cost microswitches and start using a real **Latchbolt Monitoring Solution.**

U.S. Patent No. 10,563,428

Price:

4100LBSM
Latchbolt & Strike
Monitoring

add \$99
to the list
price.

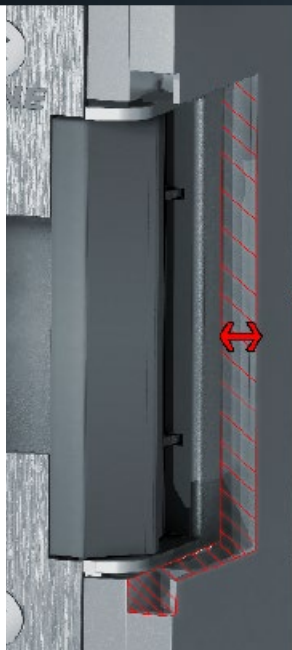
Important:

For Latchbolt monitoring on the 4100DB and 4100DBDL
SEE PAGE 7

4100LB/LBSM

CHARACTERISTICS:

CONTACT FORM:	C	CONTACT RESISTANCE STATIC:	150 MILLIOHM
CONTACT RATING:	10W	BREAKDOWN VOLTAGE:	200 VDC
SWITCHING VOLTAGE:	30V MAX AC/DC	OPERATING TEMP:	-40° - 130° C
SWITCHING CURRENT:	0.5 A	RATE:	2,000,000+ CYCLES



Covers this 1/4" gap



4100RX-250

- 1/4" stainless steel ramp extensions.
- Perfect for Timely®, Redi®, Raco® IDP® frames or similar.
- Extension acts like a trim skirt to hide the cut line pocket.

41-4200-AK: Accessories Kit

- Mounting and latch screws
- 4100 & 4200 Latch shims
- Plug-in style wire connectors
- Sealed crimp connectors

Price: \$31

Piezo Buzzers:

- **BZ-12:** Audible buzzer for 12DC power -- or --
- **BZ-24:** Audible buzzer for 24DC power

DC VOLTAGE ONLY

Price: \$22

Finishes:

Price:

4100RX-250-32D (Satin Stainless Steel - BHMA630) **\$52**

US32 (Polished Stainless - BHMA629)

US10B (Dark Bronze Powder Coat - BHMA613E) **\$80**

BLK (Black Powder Coat) *new*

Additional Faceplates:

Finish:	CC9: 9" x 1-1/4"	CRD8: 7-15/16" x 1-7/16"	CRD7: 6-7/8" x 1-1/4"	CCRD: 4-7/8" x 1-1/4"
32D (Satin Stainless - BHMA630)	\$40	\$30	\$30	\$25
The following finishes are: 32 (Polished Stainless - BHMA629) US3 (Bright Brass - BHMA605)	\$70	\$60	\$60	\$55
The following finishes are: US4 (Satin Brass - BHMA606) US10 (Satin Bronze - BHMA612) US10B (Dark Bronze - BHMA613E)	\$60	\$50	\$50	\$45

THE ONE BOX SOLUTION

FOR CYLINDRICAL AND DEADLATCHES

4200CC-10B-32D

2 FINISHES - 1 BOX



4200

THE BEST
LOW CURRENT DRAW
MOST FLEXIBLE
FRAME MATCHING
ELECTRIC STRIKE
ON THE MARKET

THE ONE BOX SOLUTION FOR CYLINDRICAL AND DEADLATCHES



THE FLEXIBLE STRIKE

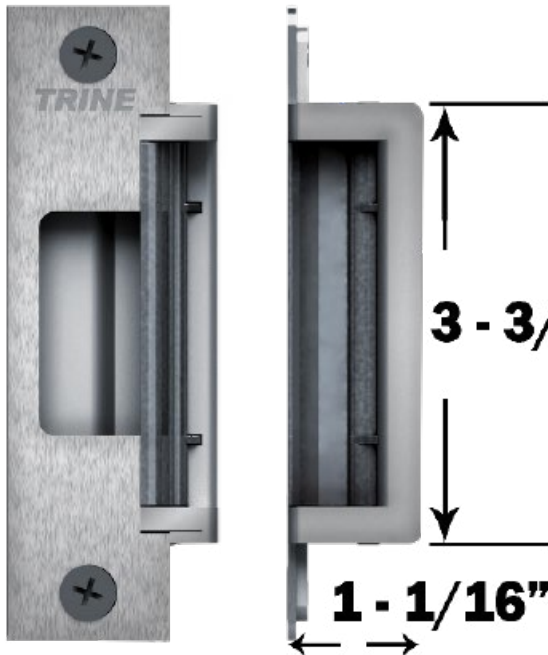
The 4200

Key Features:

- Use with cylindrical locksets & dead latches in aluminum, metal, and wood frames. The 4200 **solves** problems auxiliary latch “pins” found on Adams Rite® locks.
- Tall Cavity **solves** door sag problems. Tallest latch in its class.
- 1 - 1/16” shallow backset **solves** frame depth problems.
- 4 faceplates included
- 12 & 24DC, 12-24 AC
- Trim Skirt Included - color matched trimskirts **SOLVE** bad cuts.
- **Removeable Fascia:** Change colors in the field to match your frame.

Standards:

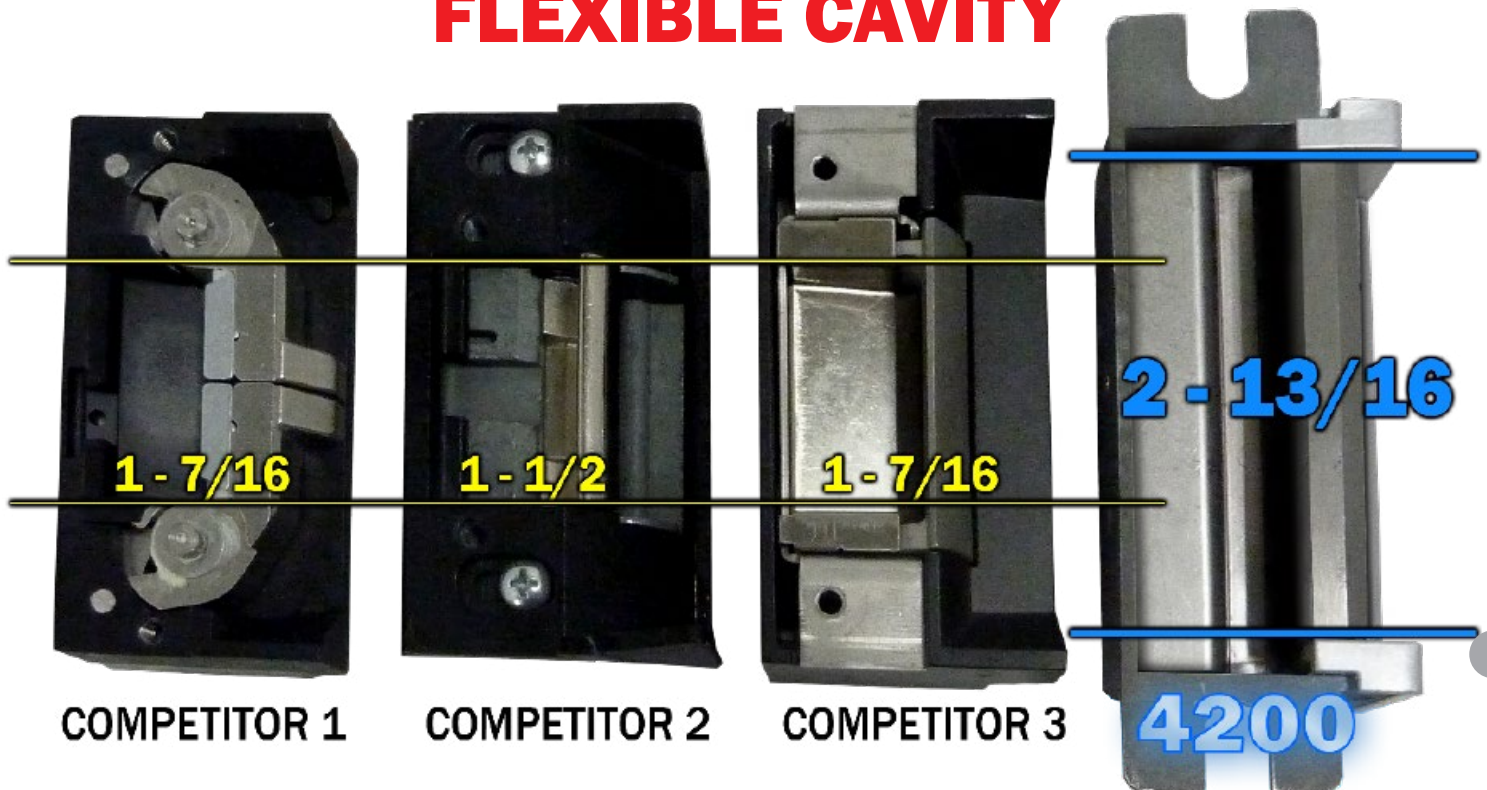
- Tested to Grade 1 - A156.31-2007
- ETL Listed for UL1034 Burglary Resistant Electric Locking Mechanism
- ETL Listed for UL294 (6th edition)



3 - 3/8"

1 - 1/16"

FLEXIBLE CAVITY



1 - 7/16

1 - 1/2

1 - 7/16

2 - 13/16

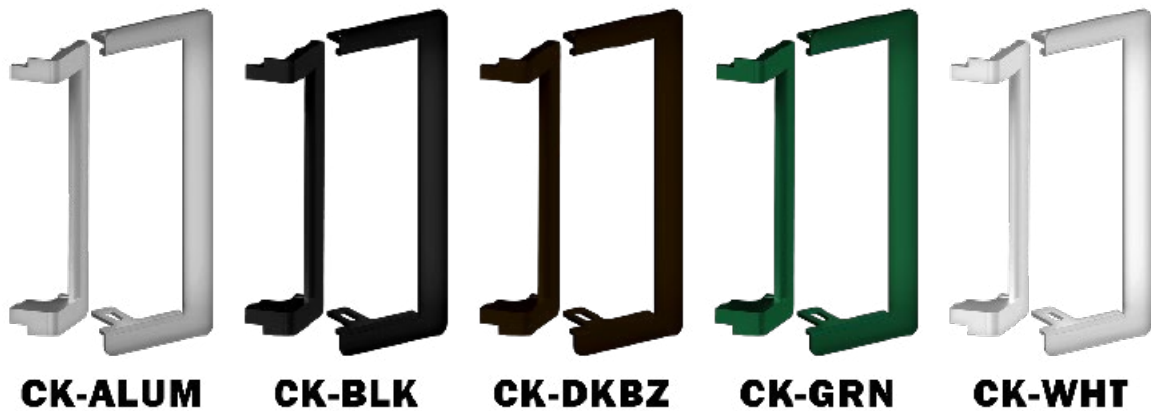
4200

COMPETITOR 1

COMPETITOR 2

COMPETITOR 3

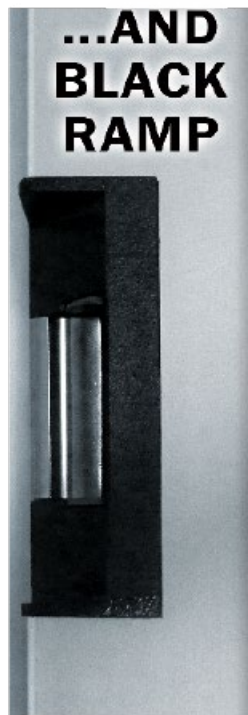
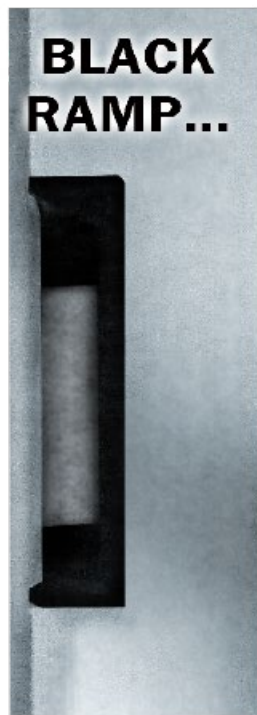
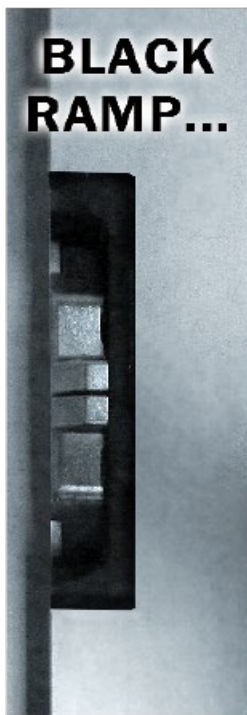
FLEXIBLE FINISH



Henry Ford once said,
“you can have any color you want,
so long as it’s black.”

Need an Installation
Tool?
See page 51

And our competition agrees

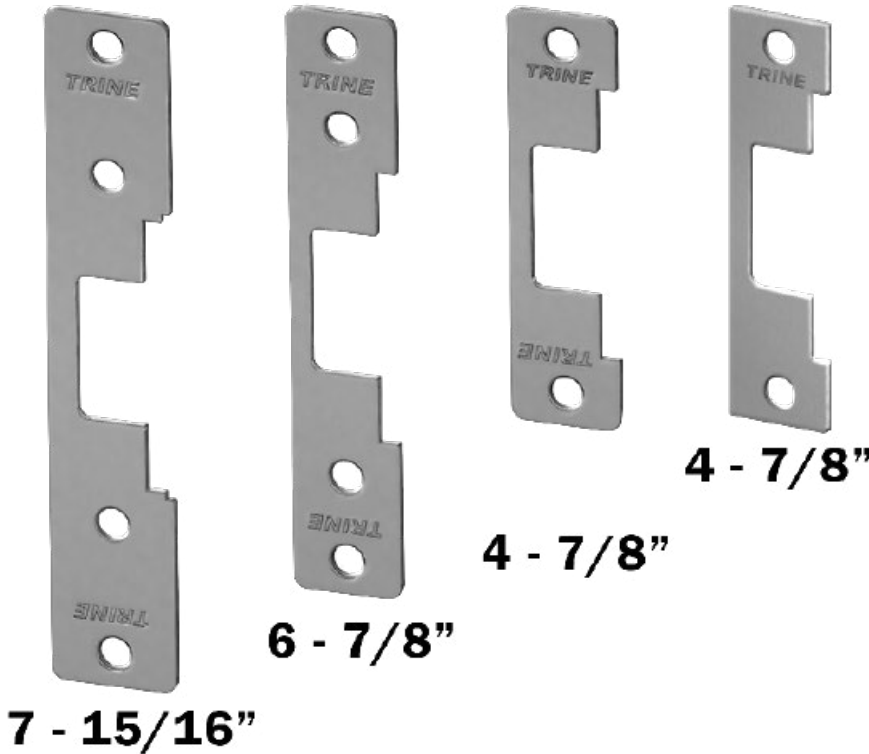


CHANGE THE FINISH IN THE FIELD WITH OUR CK SYSTEM

THE ONE BOX SOLUTION FOR CYLINDRICAL AND DEADLATCHES



FLEXIBLE FACEPLATES



**THE BEST SOLUTION
FOR ALUMINUM
FRAMES**

**4 FACEPLATES
INCLUDED**

6 FINISHES AVAILABLE

41-4200-AK: Accessories Kit

- Standard and Torx® screws
- 4100 & 4200 Latch shims
- Plug-in style wire connectors
- Sealed crimp connectors

Price: \$30

FLEXIBLE POWER

Electric Characteristics

Voltage	Current/Amps	Ohms	Duty	Sound
12DC	0.240	50	Intm./Cont.	Silent
24DC	0.114	210	Intm./Cont.	Silent
12AC @ 60hz	0.210	50	Intm.	Buzz
16AC @ 60hz	0.280	50	Intm.	Buzz
24AC @ 60hz	0.420	50	Intm.	Buzz

Power Matters

Low Current Draw
.240 Amp at 12DC makes it
very PoE Friendly

12 & 24DC :: 12 through 24AC
All the low voltage flexibility
you need.



Price:

\$221

- 4200-32D:** Stainless Steel Faceplates with Black Fascia – Use with the CK System ->
- 4200-ALUM:** Aluminum Faceplates & Fascia
- 4200-BLK:** Black Faceplates & Fascia
- 4200-DKBZ:** Dark Bronze Faceplates & Fascia
- 4200-GRN:** Green Faceplates & Fascia
- 4200-WHT:** White Faceplates & Fascia

Add "RS" for Fail-safe model (ex: 4200RS-32D)

CK System

- CK-ALUM:** Aluminum Fascia/Trimskirt
- CK-BLK:** Black Fascia/Trimskirt
- CK-DKBZ:** Dark Bronze Fascia/Trimskirt
- CK-GRN:** Green Fascia/Trimskirt
- CK-WHT:** White Fascia/Trimskirt

Price:

\$32

CK-PK: This pack includes 4 Fascia & Trimskirt finish (except black)

Price:

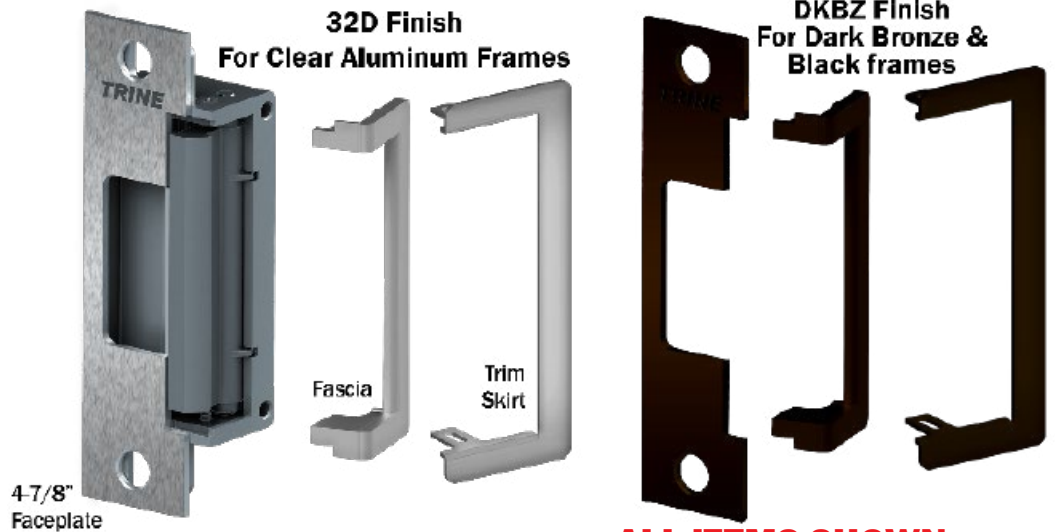
\$82

The 4200CC-10B-32D

BEST OPTION FOR THE 4200 SERIES - TRY ONE TODAY

Key Features:

- Two finish options in one box means you're ready for most frames.
- Tall Cavity solves door sag problems. Tallest latch in its class.
- All the features of the regular 4200 - for an even better price. (does not contain the long faceplates)



**ALL ITEMS SHOWN
ARE INCLUDED**

4200CC-10B-32D (squared corners)

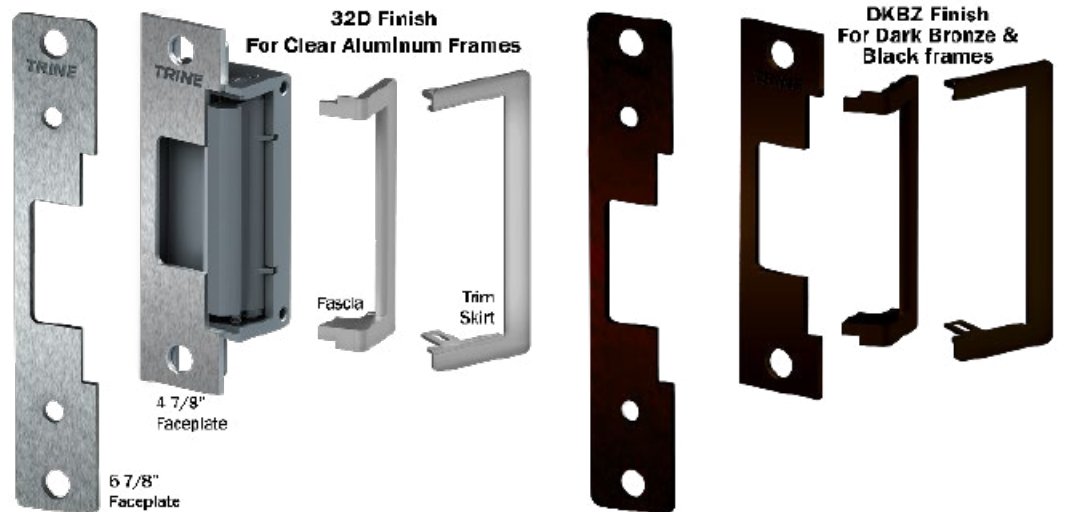
4200CCRD-10B-32D (rounded corners)

Price: \$202

The 4200CC7-10B-32D

Key Features:

- The two most common faceplate sizes for aluminum frames plus two finish options all in one box.
- 6-7/8" faceplate included for changing out an Adams Rite™ 1850 S swingbolt
- Solves door sag problems. Tallest latch in its class.



**ALL ITEMS SHOWN
ARE INCLUDED**

Price: \$221
4200CC7-10B-32D - OR -
4200CC7RD-10B-32D

www.trineonline.com

THE ONE BOX SOLUTION

FOR RIM PANIC EXIT DEVICES

4800F



**2 COMPETITOR
STRIKES IN 1**
FIRE RATED
BUT PRICED WITHOUT IT

NEW
ENHANCED **4850**



NOW EVERYDAY
LOW CURRENT DRAW
THE 1/2" SOLUTION
3 SPACERS INCLUDED
6 THICKNESSES CREATED

The 4800F

**FIRE RATING IS THE
EVERDAY STANDARD**

- For use with surface mounted rim exit devices with up to 1" throw. For use in new or replacement installations in wood or metal door frames and tight installs.
- Comes with Trine's Patented 4-Pin Anchoring System for strength and stability. (See page 24 for details)
- Cavity is completely open – which means the 4800 allows for an incremental depth up to a 1" throw – **Competitor back plates do not allow for this versatility.**
- Built-in electronics automatically allow 11 through 28 AC and DC Voltage input – with surge and kickback protection.
- Contains a one piece locking mechanism with one solenoid.
Less parts mean less problems.
- Fail-safe/Fail-secure field selectable. *WH fire listing is void when using fail safe action.*

Standards:

Class A, 3 Hour Single door / frame configuration

- UL10C, Fire Tests of Door Assemblies
- UBC 7-2, Uniform Building Code
- CAN4 S104, Standard Method for Fire Tests of Door Assemblies
NFPA 252



Issue: 1999/01/01 Standard Methods of Fire Tests of Door Assemblies

- Tested to Grade 1 - A156.31-2007

**Need an Installation
Tool?
See page 51**

Electronics allow for PLUG and PLAY capability

Electric Characteristics

Voltage	Pull In/Hold Amps	Duty	Sound
12DC	0.566/0.217	Intm./Cont.	Silent
24DC	0.253/0.099	Intm./Cont.	Silent
12AC	0.509/0.181	Intm./Cont.	Silent
16AC	0.405/0.149	Intm./Cont.	Silent
24AC	0.215/0.087	Intm./Cont.	Silent

Price:

See Page 36 for options.

4800F-32D (Satin Stainless Steel – BHMA630) **\$553**

4800F-DKBZ (Dark Bronze Powder Coated – BHMA613E) **\$586**

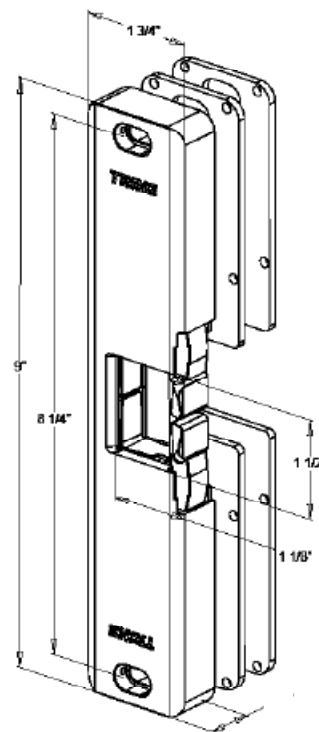
4800F-BLK (Black Powder Coated)

4800F-US4 (Satin Brass – BHMA606) **\$638**

4800F-US10 (Satin Bronze – BHMA612)

4800F-32 (Polished Stainless Steel – BHMA629) **\$648**

4800F-US3 (Bright Brass – BHMA605)



- Two (2) 1/16" Spacer included

THE ONE BOX SOLUTION FOR RIM PANIC EXIT DEVICES



**Lowest Current
Draw available
today - by far!**

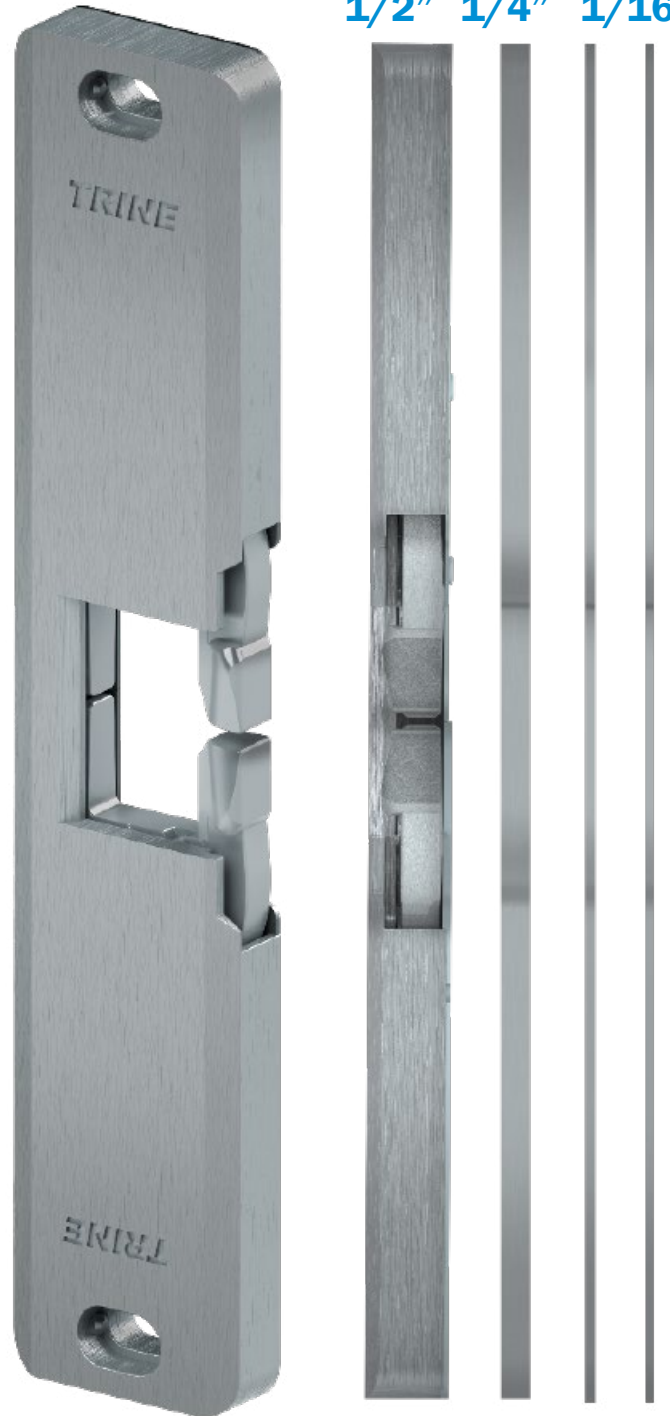


Enhanced 4850

1/2" 1/4" 1/16"

- Cavity is completely open – which means the 4850 allows for an incremental depth up to a 1" throw - **Competitor back plates do not allow for this versatility.**
- For use with surface mounted rim exit devices with up to a 1" throw.
- Comes with Trine's **Patented 6-Pin Anchoring System** for strength and stability. (See page 36 for details)
- Contains a one piece locking mechanism with one solenoid – **less parts mean less problems.**
- Fail-safe/Fail-secure field selectable.
- Tested to Grade 1 - A156.31-2007

NEW Electric Characteristics						
Current Draw				Connector		
Voltage:	(Amps)	Voltage:	Duty:	Wire Colors:	Used:	Sound:
12DC	0.218	12DC	Intm./Cont	Red & Blue	12 DC	Silent
16DC	0.290	16DC	Intm./Cont.	Red & Blue	12 DC	Silent
24DC	0.195	24DC	Intm./Cont.	Brown & Blue	24 DC	Silent



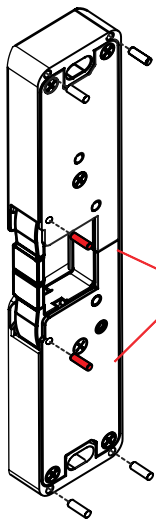
Price:	See Page 36 for options.
4850-32D (Satin Stainless Steel – BHMA630)	\$553
4850-DKBZ (Dark Bronze Powder Coated – BHMA613E)	\$586
4850-BLK (Black Powder Coated)	
4850-US4 (Satin Brass – BHMA606)	\$643
4850-US10 (Satin Bronze – BHMA612)	
4850-32 (Polished Stainless Steel – BHMA629)	\$653
4850-US3 (Bright Brass – BHMA605)	

**3 Spacers included,
6 Thicknesses created,
1 Box Solution Provided.**

**Need an Installation
Tool?
See page 51**

4801 - "Bolt" Strike

- For use with the Yale Squarebolt® or Corbin Russwin Securebolt™ in new or replacement installations with wood or metal door frames.
- Use with surface mounted rim device with up to 1" throw.
- Cavity Opening -
Height: 1 17/32"
Width: 1 5/32"
- 6-Pin Anchor system provided to handle the toughest installations.
- Electronics same as the 4800F - see page 33.



***Must Install
2 middle
pins on the
4801/4801LB**

Active Latchbolt Monitoring (LB Option)



- IR optical sensor
- Single pole, double throw, form "C" Relay, rated at 1-amp at 12-24 AC-DC
- N/O and N/C relay contacts
- Module power source 12-24 DC
- Current consumption is:
12v: standby 12.7ma
activate 22.8ma
24v: standby 19.4ma
activate 34.4ma
- All other features are the same as the base model.

Price:

4801-32D (Satin Stainless Steel – BHMA630) **\$586**

4801-DKBZ (Dark Bronze Powder Coated – BHMA613E) **\$591**
4801-BLK (Black Powder Coated)

4801-US4 (Satin Brass – BHMA606) **\$657**
4801-US10 (Satin Bronze – BHMA612)

4801-32 (Polished Stainless Steel – BHMA629) **\$675**
4801-US3 (Bright Brass – BHMA605)

Price:

Add "LB" to any 4800 series electric strike

**Example:
- 4800FLB-32D**

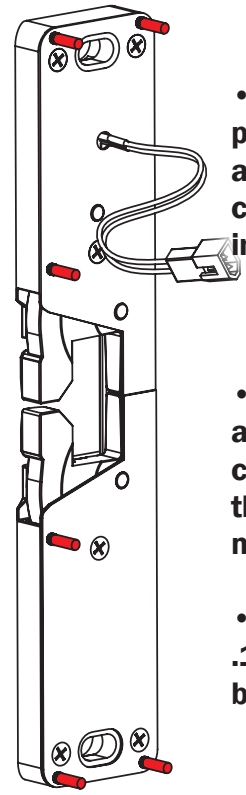
**add
\$99.00
to the price of
the base unit.**

4800 Series Accessories & Patented Anchoring System

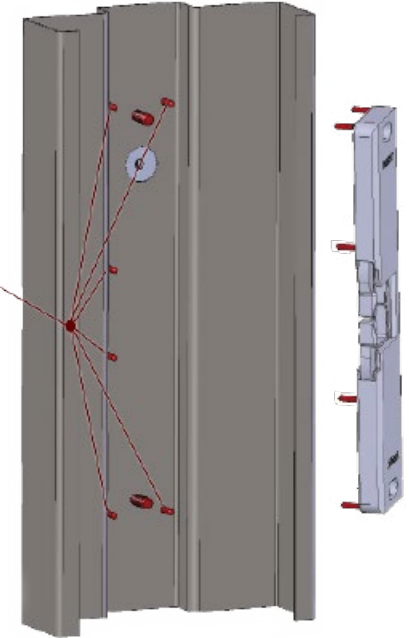


PATENTED ANCHORING SYSTEM

- 4 or 6 Pin system included in every 4800 series strike.
- Prevents strike from shifting on the frame for the most secure installation.
- Two center pins on 4850 suggested for installs in high traffic locations.



- The Anchor System provides up to six additional points of contact for the toughest installations.
- The 4850 can have a total 8 points of connection between the frame and strike for maximum strength.
- Anchoring pins are .128" diameter. A #30 drill bit is recommended.



Need an Installation Tool?
See page 51

****THE CONFIGURATION IS YOUR CHOICE****

4800 Series Accessories

MWH-5

REMOVABLE MULLION WIRE HARNESS FOR 4800 SERIES ELECTRIC STRIKES

- Contains:
- (1) 5' Wire for mullion with male/female connectors.
 - (1) Male connector & (1) Female connector.
 - (1) Mullion cap, & (1) Wire adhesive.
 - (4) Wire caps
 - (1) Wire tie

4850-AK: ACCESSORIES KIT

- Contains:
- (1) Fail safe plunger with spring & (1) Fail safe cam.
 - (6) Anchoring pins.
 - (2) 1/4-20 x 1" UH Cap socket mounting screws
 - (1) Wire connector
 - (2) Wire caps

4800-AK: ACCESSORIES KIT

- Contains:
- (1) Fail safe plunger with spring
 - (4) Anchoring pins.
 - (2) 1/4-20 x 1" UH Cap socket mounting screws
 - (1) Wire connector
 - (2) Wire caps

4800-SS: TWO 1/16" SPACER PLATES IN 32D

4800-SS-DKBZ: TWO 1/16" SPACER IN DARK BRONZE 613E

Fits all 4800 Series Electric Strikes

4850-SS: 1/4" SPACER PLATE IN 32D

4850-SS-DKBZ: 1/4" SPACER IN DARK BRONZE 613E

Fits all 4800 Series Electric Strikes

Price:
\$59
\$31
\$31
\$31
\$40
\$48
\$51

THE ONE BOX SOLUTION

FOR ALL GATE AND OUTDOOR INSTALLATIONS



3 HOUR FIRE RATED
(except 400RP, 800, 850)
BURGLARY RATED
OUTDOOR RATED
294 RATED



EN400CMRP

**THE GATE "KIT"
FOR ELECTRIC STRIKES**

**THE ONLY ELECTRIC STRIKE THAT CAN CHANGE LATCHES
TO WORK WITH CYLINDRICAL, MORTISE, AND RIM PANICS**

The Outdoor Electric Strike Solutions EN Series



Contains ONLY 8 total parts.
Only 1 moving part in the locking mechanism.
All stainless steel construction.

- ✦ Superior Strength - 2,000+ lbs - (UL) tested.
- ✦ Superior Life - 1,000,000+ cycles.
- ✦ Superior Application - (UL) Outdoor rating allows the strike to be used where the competition can not.

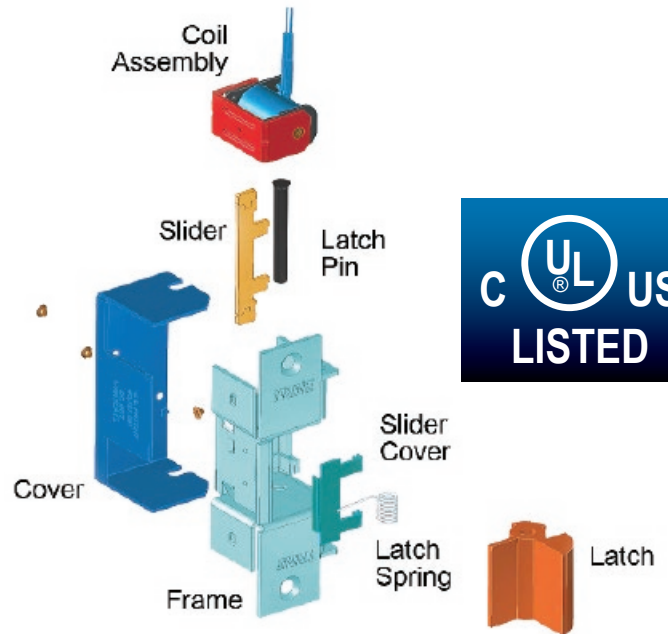
Key Features

- Continuous Duty runs very cool (DC only)
No extra Smart Pacs® needed
- Durability of 1,000,000+ life cycles
- A holding force of 2,000+ lbs – (UL) Tested!
- **Fail-secure/Fail-safe is field reversible on DC units (except on 430 & 435 models)***
- Left and Right handing is field reversible
(except the offset 430 & 435 models)*
- Low Current Draw (DC Models*)
Voltage & Amp draw is the same across all EN Models



Standards

- (UL) Listed 10C - Fire-rated
- Class A, 3-hour, single swing door
(except on 400RP, 800 & 850 models)
- (UL) UL 1034 burglary-resistant
listed and suitable for outdoor use
- (UL) UL 294 (6th Edition) listed
- Tested to Grade 1 - A156.31-2007
- NYC MEA 79-01-E



HOW TO ORDER

Please provide the following information to ensure you receive the CORRECT electric strike.

Model # -- Voltage -- Finish -- Handing
example: 400 12DC 32D RH

*Fail Safe Request: Please add "RS" to item#
example: 400RS-12DC-32D-RH

Add \$15 to list price of base model.

Electric Characteristics

Voltage	Amps	Ohms	Duty	Sound
12AC	0.70	4.5	Intm.	Buzz
24AC	0.37	18.0	Intm.	Buzz
12DC	0.28	43.0	Intm./Cont.	Silent
24DC	0.15	164.0	Intm./Cont.	Silent

Wire Lead Color Codes

Voltage Wire Colors

12AC - Blue & Orange/White || 24AC - Blue & Black/White
12DC - 2 - Orange/White || 24DC - 2 - Black/White

Need an Installation Tool?

See page 51

EN400CMRP

THE ONLY ELECTRIC STRIKE SOLUTION ON THE MARKET THAT CAN HANDLE
CYLINDRICAL, MORTISE, DEADLATCHES, AND RIM PANICS

The Flexible 400CMRP Includes:

- A completed strike in the box (see bottom of page for details).
- An additional strike latch to handle mortise, cylindrical, and rim panic strikes.
- The EN400-Gatebox - mount the strike anywhere.
- The EN-24DC-CA - change voltage in the field.
- Fail safe/Fail secure field reversible.
- Always Low Current Draw



RP Latch

EN400-Gatebox

Install the EN400CMRP anywhere on the frame or post.



Steel gatebox is unfinished

Aluminum gatebox available (see pg 44)

Price:

400CMRP-32D (Satin Stainless Steel – BHMA630) **\$582**
- unit comes as a 400-12DC-32D-RH; RP (rim panic) latch and 24DC coil are in the box.

400RPCM-32D (Satin Stainless Steel – BHMA630) **\$582**
- unit comes as a 400RP-24DC-32D-RH; CM (cylindrical/mortise) latch and 12DC coil are in the box.

Kits cannot be ordered with with latchbolt (LB) monitoring. Please order from page 43 with a gatebox to match.

The Outdoor Electric Strike Solutions EN Series



EN400



- Use with cylindrical and mortise Locks.
- Perfect for exterior doors and gates.
- Latch Shim Kit provided for horizontal cavity adjustment.
- Field reversible handing – remember to pick a specific hand when ordering to save time.

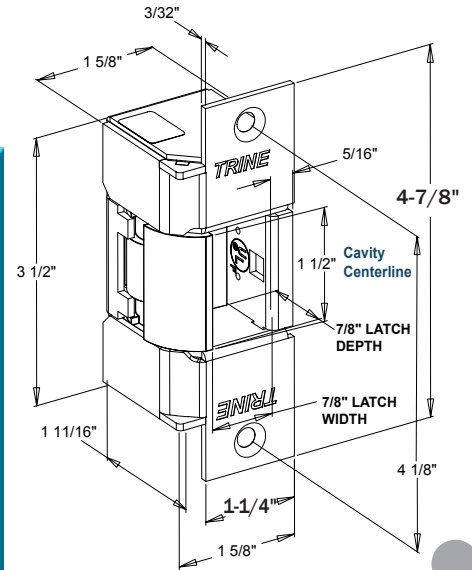
Price: Refer to pg 38 for "How to Order"

400-32D (Satin Stainless Steel – BHMA630) **\$456**
400-BLK (Black Powder Coat)

The following finishes are: **\$509**

- **400-US3** (Bright Brass – BHMA605)
- **400-US4** (Satin Brass – BHMA606)
- **400-US10** (Satin Bronze – BHMA612)
- **400-US10B** (Dark Bronze Powder Coat – BHMA613E)
- **400-32** (Polished Stainless – BHMA629)

EN400-Gatebox **\$56** **EN400-Gatebox-AL** **\$90**
 (Steel Gatebox, *unfinished*) (Aluminum Gatebox)



EN400RP



- Use with rim panic devices
- Perfect for exterior doors and gates.
- Field reversible handing – remember to pick a specific hand when ordering to save time.
- The Outdoor Rim Panic Solution

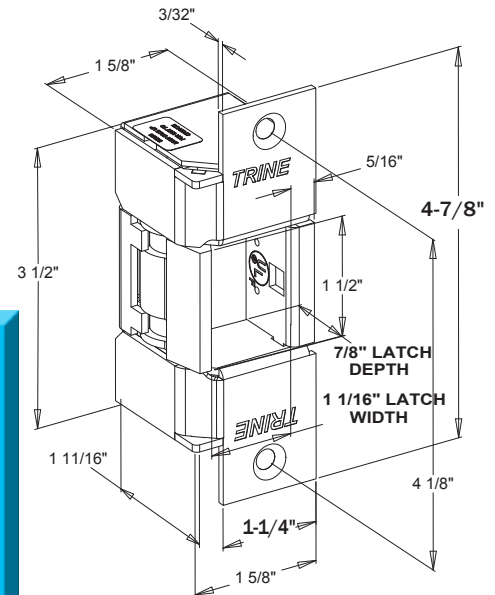
Price: Refer to pg 38 for "How to Order"

400RP-32D (Satin Stainless Steel – BHMA630) **\$456**
400RP-BLK (Black Powder Coat)

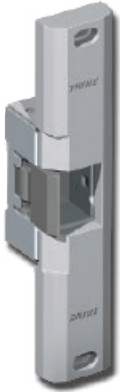
The following finishes are: **\$509**

- **400RP-US3** (Bright Brass – BHMA605)
- **400RP-US4** (Satin Brass – BHMA606)
- **400RP-US10** (Satin Bronze – BHMA612)
- **400RP-US10B** (Dark Bronze Powder Coat – BHMA613E)
- **400RP-32** (Polished Stainless – BHMA629)

EN400-Gatebox **\$56** **EN400-Gatebox-AL** **\$90**
 (Steel Gatebox, *unfinished*) (Aluminum Gatebox)



(Not UL 10C listed)

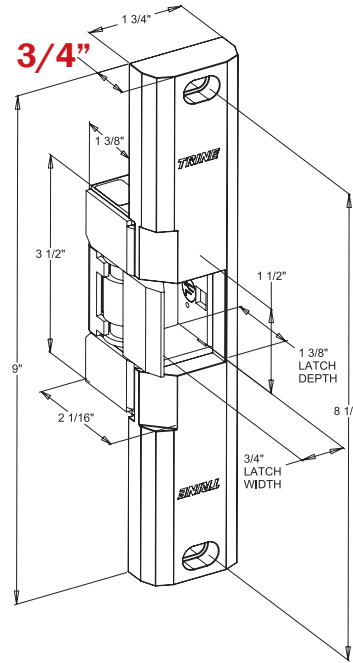


EN800 – GREAT FOR OUTDOOR GATES

For new or replacement installations in wood or metal single door jambs. Use with surface mounted rim exit devices with up to 1" throw. **3/4" thick face plate.**

(Not UL 10C Listed)

Works with Rim Panic Exit Devices



Refer to pg 38 for
"How to Order"

Price:

800-32D \$520
(Satin Stainless Steel – BHMA630)

The following finishes are:

- **800-US3 \$568**
(Bright Brass – BHMA605)
- **800-US4**
(Satin Brass – BHMA606)
- **800-US10**
(Satin Bronze – BHMA612)
- **800-US10B**
(Dark Bronze Powder Coat – BHMA613E)
- **800-32**
(Polished Stainless – BHMA629)

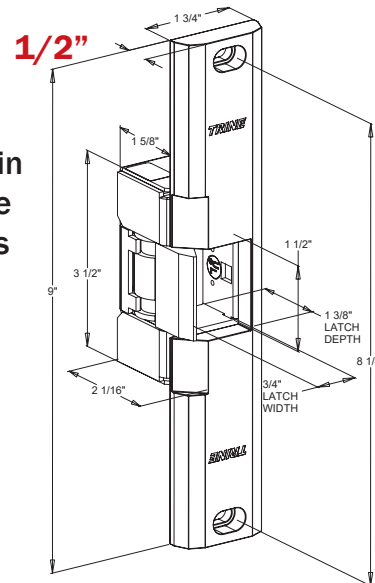


EN850 – GREAT FOR OUTDOOR GATES

For new or replacement installations in wood or metal single door jambs. Use with surface mounted rim exit devices with up to 1" throw. **1/2" thick face plate.**

(Not UL 10C Listed)

Works with Rim Panic Exit Devices.



Refer to pg 38 for
"How to Order"

Price:

850-32D \$535
(Satin Stainless Steel – BHMA630)

The following finishes are:

- **850-US3 \$602**
(Bright Brass – BHMA605)
- **850-US4**
(Satin Brass – BHMA606)
- **850-US10**
(Satin Bronze – BHMA612)
- **850-US10B**
(Dark Bronze Powder Coat – BHMA613E)
- **850-32**
(Polished Stainless – BHMA629)

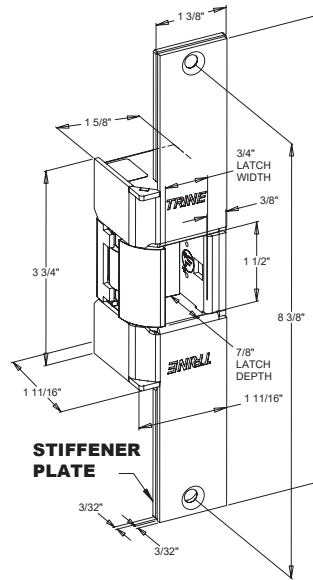
The Outdoor Electric Strike Solutions EN Series



EN950 – FITS FOLGER ADAM® 310-2 CUTOUT

For new or replacement installations in metal or wood jambs. Use with mortise exit devices, mortise locks without dead bolts and cylindrical locksets with up to 7/8" throw. Based on 1/8" door gap.

Latch Shim Kit provided for horizontal cavity adjustment.



Refer to pg 38 for
"How to Order"

Price:
950-32D \$530
(Satin Stainless Steel – BHMA630)

The following finishes are:

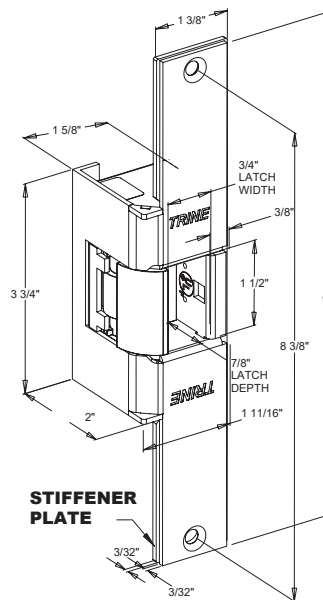
- **950-US3 \$592**
(Bright Brass – BHMA605)
- **950-US4**
(Satin Brass – BHMA606)
- **950-US10**
(Satin Bronze – BHMA612)
- **950-US10B**
(Dark Bronze Powder Coat – BHMA613E)
- **950-32**
(Polished Stainless – BHMA629)



EN960 – FITS FOLGER ADAM® 310-2 3/4" CUTOUT

For new or replacement installations in metal or wood jambs. Use with mortise exit devices, mortise locks without dead bolts and cylindrical locksets with up to 7/8" throw. Based on 1/8" door gap.

Latch Shim Kit provided for horizontal cavity adjustment.

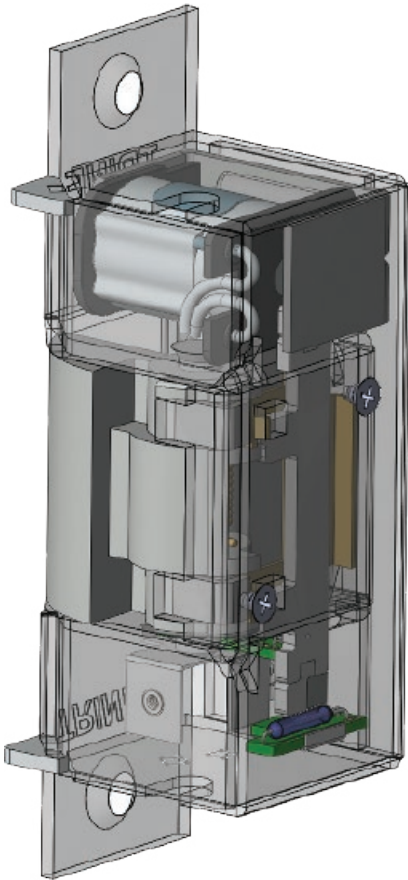


Refer to pg 38 for
"How to Order"

Price:
960-32D \$587
(Satin Stainless Steel – BHMA630)

The following finishes are:

- **960-US3 \$639**
(Bright Brass – BHMA605)
- **960-US4**
(Satin Brass – BHMA606)
- **960-US10**
(Satin Bronze – BHMA612)
- **960-US10B**
(Dark Bronze Powder Coat – BHMA613E)
- **960-32**
(Polished Stainless – BHMA629)



U.S. Patent No. 10,563,428

The NEW LBSM for the 400, 950, 960

- Latchbolt monitoring utilizes a sealed magnetic reed switch and monitors if the lockset latch is engaged with the strike.
- Strike mechanism monitoring detects whether the strike is in the locked or unlocked position

LBM CHARACTERISTICS:

CONTACT FORM:	C
CONTACT RATING:	10W
SWITCHING VOLTAGE:	30V max AC/DC
SWITCHING CURRENT:	0.5 amps
CONTACT RESISTANCE STATIC:	150 milliohms (mΩ)
BREAKDOWN VOLTAGE:	200 VDC
OPERATING TEMP:	-40° - 130° C
RATE:	2,000,000+ cycles

USE WITH A
GATEBOX FOR
ADDED FLEXIBILITY



Price:

Add "LBSM" to model 400, 950, or 960

Example: 400LBSM-12DC-32D

*add \$99
to the price of the base unit.*

Cannot add to 400CMRP/RPCM kits

TOUGH-AS-NAILS-GO-ANYWHERE-EN-SERIES

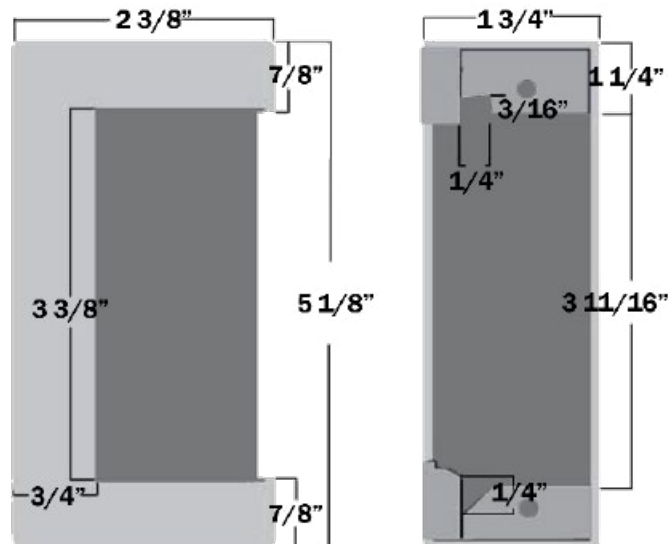
has found a latchbolt monitor that can follow it outdoors
and into the elements.

EN Series Accessories



MODEL	DESCRIPTION	Price:
LC-100	External unit that operates on 11 through 29 AC/DC input and provides inductive kickback and surge protection. When used with the EN Series, 12DC must be selected and the LC100 must be located within 10' of the electric strike.	\$67
EN-CA-12DC	Coil Assembly (Orange/White Wire Leads)	\$50
EN-CA-24DC	Coil Assembly (Black/White Wire Leads)	\$50
EN-CA-12AC	Coil Assembly (Blue/Orange & White Wire Leads)	\$50
EN-CA-24AC	Coil Assembly (Blue/Black & White Wire Leads)	\$50
TRS	(2) Tamper-Resistant Torx® #12-24 Screws	\$10
EN-TS	Trim Skirt (Not for use with 950 & 960)	\$30
EN-LSK	EN Latch Shim Kit for horizontal cavity adjustment.	\$18
ESK-1	EN Service Kit: <ul style="list-style-type: none"> (1) Latch spring (2) PFH 12-24x1" mounting screws & (2) PFH 6-32 x 1/8" cover screws (2) Wire nut caps & (1) assembly pin and instruction sheet 	\$18
BZ-12	Buzzer for 12 DC operation	\$22
BZ-24	Buzzer for 24 DC operation	\$22
EN400-Gatebox	The weldable gate box solution for use with the EN400 & EN400RP Outdoor rated electric strikes. (Steel gatebox is <u>*Not Finished*</u>).	\$56
EN400-Gatebox-AL	The aluminum gate box solution for use with the EN400 & 400RP.	\$90

EN400-Gatebox & EN400-Gatebox-AL Dimensions



Light Commercial Electric Strikes



**The original
Trine line**

00 Series



FEATURES

- Durability - 500,000 Life Cycles
- Holding Force - 1000 lbs
- Only 1 Moving Part Locking Mechanism
- Non-Handed Operation
- Heavy Duty Latch Spring
- Fail Secure Standard (Unlocks with Power)

Voltage	Amps	Ohms	Sound	Duty	Wire Color
8-16VAC/4-6VDC	1.3-2.7	1.4	Buzz	Intermittent	Blck
12VDC	0.40	30.0	Silent	Continuous	Red/Wht
24VAC	1.40	4.7	Buzz	Intermittent	Red
24VDC	0.19	125.0	Silent	Continuous	Blck/Wht



001

For use in new or replacement installations in wood and metal jambs. For use with locksets having up to 5/8" throw, based on 1/8" door gap.

Face Plate 5-7/8" x 1-1/4" – Mortise Backset 1-9/16" – Cavity Depth 1/2" – Cavity Width 9/16" – Cavity Height 1-1/2"

Price:

001 (Brass Powder Coated)	\$57
001C (Satin Chrome – BHMA651)	\$64
RS (Fail Safe) - For DC Models only.	add \$20



002

For use in new or replacement installations in wood and metal jambs. Auxiliary lever ramps for use with locksets which contain dead locking levers. Use with locksets having up to 5/8" throw, based on 1/8" door gap.

Face Plate 7-15/16" x 1-7/16" – Auxiliary Ramp 2-7/8" – Mortise Backset 1-9/16" – Cavity Depth 1/2" – Cavity Width 9/16" – Cavity Height 1-1/2"

Price:

002 (Aluminum Powder Coated)	\$92
002DB (Dark Bronze Powder Coated)	\$94
RS (Fail Safe) - For DC Models only.	add \$20



004

For new or replacement installations in wood jambs. Use with locksets with individual dead bolts. **Dead bolts cannot be released electrically.** Use with locksets having up to 5/8" throw, based on 1/8" door gap.

Face Plate 6-1/4" x 1-3/8" – Dead bolt Knockouts Top & Bottom 1-11/16" x 9/16" – Mortise Backset 2-3/4" – Cavity Depth 1/2" – Cavity Width 9/16" – Cavity Height 1-1/2"

Price:

004 (Brass Powder Coated)	\$104
004C (Satin Chrome – BHMA651)	\$112
004DB (Dark Bronze Powder Coated)	\$110
RS (Fail Safe) - For DC Models only.	add \$20

Light Commercial Electric Strikes

00 Series



005

For use in replacement installations in wood jambs and iron gates. Use with bored cylindrical locksets having up to 5/8" throw, based on 1/8" door gap.

Face Plate 3-1/2" x 1-3/8" – Mortise Backset 2-3/4" – Cavity Depth 1/2" – Cavity Width 9/16" – Cavity Height 1-1/2"

Need to upgrade to something stronger?
- Try the HD005 (below)

Price:

005 (Brass Powder Coated)	\$69
005C (Satin Chrome – BHMA651)	\$76
RS (Fail Safe) - For DC Models only.	add \$20



HD005

Screwed-on Faceplate and reinforced Latch Pin provide additional strength for **HEAVY DUTY** installations.

For use in replacement installations in wood jambs and iron gates. Use with bored cylindrical locksets having up to 5/8" throw, based on 1/8" door gap.

Face Plate 3-1/2" x 1-3/8" – Mortise Backset 2-3/4" – Cavity Depth 1/2" – Cavity Width 9/16" – Cavity Height 1-1/2"

Price:

HD005 (Brass Powder Coated)	\$92
HD005C (Satin Chrome – BHMA651)	\$98
RS (Fail Safe) - For DC Models only.	add \$20



S005

For use in replacement installations in wood jambs and iron gates. Use with bored cylindrical locksets having up to 3/4" throw, based on 1/8" door gap.

Face Plate 3-1/2" x 1-3/8" – Mortise Backset 2-7/8" – Cavity Depth 5/8" – Cavity Width 23/32" – Cavity Height 1-1/2"

Price:

S005 (Brass Powder Coated)	\$81
S005C (Satin Chrome – BHMA651)	\$90
RS (Fail Safe) - For DC Models only.	add \$20



006

For surface mount installations on metal or wood jambs, for in swinging applications. Use with locksets or night latches having up to 5/8" throw, based on 1/8" door gap. When mounted on a pair of doors, strike is mounted to the inactive leaf.

Case 2-1/8" x 1-3/16" – Surface Mounted – Die Cast Housing – Cavity Depth 1/2" – Cavity Width 1/2" – Cavity Height 1-3/8"

Price:

006 (Brass Powder Coated)	\$113
RS (Fail Safe) - For DC Models only.	add \$20



007

For use in new or replacement installations in wood jambs. Use with locksets having up to 3/4" throw, based on 1/8" door gap.

Face Plate 4-7/8" x 1-1/4" – Mortise Backset 2-7/8" – Cavity Depth 5/8" – Cavity Width 3/4" – Cavity Height 1-1/2"

Price:

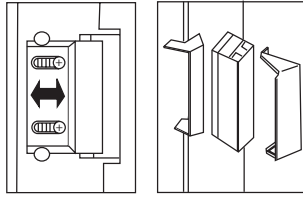
007 (Brass Powder Coated)	\$108
007C (Satin Chrome – BHMA651)	\$113
RS (Fail Safe) - For DC Models only.	add \$20

The Adjustable 2000 Series



FEATURES

- Allows adjustment for wider latch bolts & poorly aligned doors & locksets
- **1/8" Horizontal Latch Adjustment**
- Releases Under Slight Door Preload
- Life Cycles - 500,000
- **Holding Force - 900 lbs**
- Solid Cast Latch - Chrome Plated
- Non-Handed Operation



Voltage	Current/Amps	Ohms	Sound	Duty
6-14VAC	0.44 - 1.10	8.5	Buzz	Intrmt.
6-14VDC	0.70 - 1.60	8.5	Silent	Intrmt.
16-24VAC	0.22 - 0.33	50.0	Buzz	Intrmt.
16-24VDC	0.32 - 0.47	50.0	Silent	Intrmt.
12VDC	0.200	60.0	Silent	Cont.
24VDC	0.12	120.0	Silent	Cont.

2001

For use in new or replacement wood or metal jamb installations with locksets having up to 5/8" throw, based on 1/8" door gap.

Face Plate 5-7/8" x 1-1/4" – Narrow Style Face Plate – Mortise Backset 1-9/16" – Cavity Depth 9/16" – Cavity Width 5/8" – Cavity Height 1-11/16"

NOT AVAILABLE IN FAIL-SAFE FUNCTION. SEE 001 ON PAGE 46

Price:

2001 (Brass Powder Coated)	\$102
2001C (Satin Chrome – BHMA651)	\$108

2002

For use in new or replacement, aluminum or hollow, metal jamb installations. Auxiliary lever ramps for use with locksets containing dead-locking levers. Use with latch bolts having up to 5/8" throw, based on 1/8" door gap.

Face Plate 7-15/16" x 1-7/16" – Auxiliary Ramp Height 2-7/8" – Mortise Backset 1-9/16" – Cavity Depth 9/16" – Cavity Width 5/8" – Cavity Height 1-11/16"

Price:

2002 (Aluminum Powder Coated)	\$118
2002DB (Dark Bronze Powder Coated)	\$123
RS (Fail Safe) - For DC Models only.	add \$20

2007

For use in new or replacement installations in metal jambs. Fits a standard 4-7/8" ANSI prep with little jamb modification. Use with locksets having up to 5/8" throw, based on 1/8" door gap.

Steel Face Plate 4-7/8" x 1-1/4" – Narrow Style Face Plate – Mortise Backset 1-9/16" – Cavity Depth 9/16" – Cavity Width 5/8" – Cavity Height 1-11/16"

Price:

2007 (Brass Powder Coated)	\$126
2007C (Satin Chrome – BHMA651)	\$131
2007DB (Dark Bronze Powder Coated)	\$129
RS (Fail Safe) - For DC Models only.	add \$20

2009

For use in new or replacement installations in metal jambs. Centerline of the latch is 3/8" below ANSI centerline for offset applications. Fits a standard 4-7/8" ANSI prep with little jamb modification. Use with locksets having up to 5/8" throw, based on 1/8" door gap.

Steel Face Plate 4-7/8" x 1-1/4" – Narrow Style Face Plate – Mortise Backset 1-9/16" – Cavity Depth 9/16" – Cavity Width 5/8" – Cavity Height 1-11/16"

Price:

2009 (Brass Powder Coated)	\$133
2009C (Satin Chrome – BHMA651)	\$139
2009DB (Dark Bronze Powder Coated)	\$137
RS (Fail Safe) - For DC Models only.	add \$20

2012

For use in new or replacement, aluminum or hollow, metal jamb installations with locksets having up to 5/8" throw, based on 1/8" door gap.

Steel Face Plate 4-7/8" x 1-1/4" – Auxiliary Ramp 3-3/8" – Mortise Backset 1-9/16" – Cavity Depth 9/16" – Cavity Width 5/8" – Cavity Height 1-11/16"

Price:

2012 (Brass Powder Coated)	\$139
2012C (Satin Chrome – BHMA651)	\$141
2012DB (Dark Bronze Powder Coated)	\$139
RS (Fail Safe) - For DC Models only.	add \$20

Light Commercial Electric Strikes

The Adjustable 2000 Series

Light Commercial Strikes



2678

For use in new or replacement aluminum, or hollow, metal jamb installations. Auxiliary lever ramps for use with locksets containing dead-locking levers. Useful when converting an MS Lock to a dead latch. Up to 5/8" throw, based on 1/8" door gap.

Face Plate 6-7/8" x 1-1/4" – Auxiliary Ramp 3-3/8" – Mortise Backset 1-9/16" – Cavity Depth 9/16" – Cavity Width 5/8" – Cavity Height 1-11/16"

Price:

2678 (Satin Aluminum - BHMA 628) **\$134**

2678-US10B (Satin Bronze - BHMA639) **\$137**

RS (Fail Safe) - For DC Models only. **add \$20**

The ANSI 01 Series



FEATURES

- Durability - 300,000 Life Cycles
- Holding Force - 1200 lbs
- Solid Brass Locking System
- Cast Steel Latch
- Heavy Duty Latch Spring

	Voltage	Current/Amps	Ohms	Sound	Duty
	10-16VAC & 12VDC	0.60 - 0.90	10.0	Buzz	Intermittent
	24VAC	0.50	10.0	Silent	Intermittent
	24VDC	0.42	47.0	Buzz	Intermittent
	24VDC	0.20	119.0	Silent	Continuous



012

For new or replacement installations in metal jambs. Use with locksets having up to 5/8" throw, based on 1/8" door gap.

Face Plate 4-7/8" x 1-1/4" - Mortise Backset 1-5/8" - Cavity Depth 9/16" - Cavity Width 9/16" - Cavity Height 1-1/2"

Price:

012 (Brass Powder Coated) **\$136**

012C (Satin Chrome - BHMA651) **\$140**

RS (Fail Safe) - 24DC Model only. **add \$30**

The 1000 Series

FEATURES

- Releases Under Slight Door Preload
- Tall latch cavity for easier door alignment.
- Life Cycles - 500,000
- Holding Force - 1000 lbs
- Non-Handed Operation

	Voltage	Current/Amps	Ohms	Sound	Duty
	6-14VAC	0.495 - 1.09	8.5	Buzz	Intermittent
	6-14VDC	0.650 - 1.24	8.5	Silent	Intermittent
	16-24VAC	0.270 - 0.48	50.0	Buzz	Intermittent
	16-24VDC	0.380 - 0.61	50.0	Silent	Intermittent



1001-2

For use in new or replacement installations in wood and metal jambs. For use with locksets having up to 5/8" throw, based on 1/8" door gap.

Steel Face Plate 5-7/8" x 1-1/4" – Narrow Style Face Plate – Mortise Backset 1-1/2" – Cavity Depth 9/16" – Cavity Width 9/16" – Cavity Height 1-11/16"

Price:

1001-2 (Brass Powder Coated) **\$80**

1001-2C (Satin Chrome - BHMA651) **\$87**



1002-2

For use in new or replacement installations in wood and metal jambs. Auxiliary lever ramps for use with locksets which contain dead locking levers. For use with locksets having up to 5/8" throw, based on 1/8" door gap.

Face Plate 7-15/16" x 1-7/16" – Auxiliary Ramp 2-7/8" Height – Mortise Backset 1-1/2" – Cavity Depth 9/16" – Cavity Width 9/16" – Cavity Height 1-11/16"

Price:

1002-2 (Aluminum Powder Coated) **\$105**

1002-2DB (Dark Bronze Powder Coated) **\$108**

ACCESSORIES

4850-ITL

**INSTALL 4800 SERIES
STRIKES FASTER**



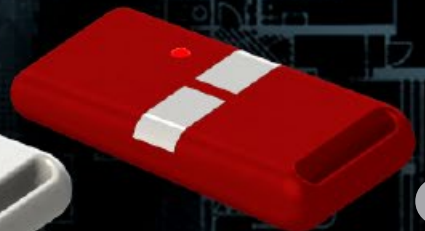
ANSI-ITL

**INSTALL 2-3/4" &
4-7/8" ELECTRIC
STRIKES FASTER.**



018-4/017TDC-4

**UTILIZES ROLLING CODE
WITH OVER 4+ BILLION CODES
AND IN A VARIETY OF COLORS.**



THE INSTALLATION SOLUTION FOR THE TRINE STRIKES

4850-ITL

“Feel” the door work with the strike on the frame... then drill.

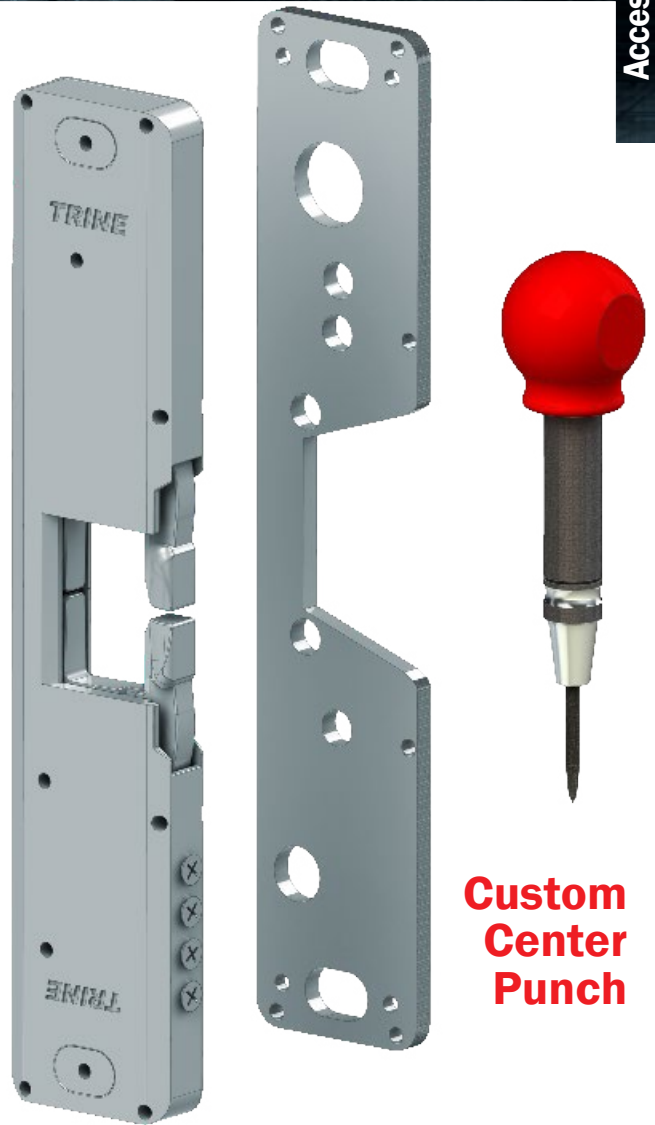
- 4850-ITL installation tool has magnets installed which allows it to attach to steel frames, so you can:
 - Adjust and center the strike before ever drilling a hole eliminating any mistakes.
 - Increase your installation speed on every job.
- 1/4” Spacer included, so the tool becomes 3/4” thick, and is also magnetized. (screws on side anchor the spacer to the tool)
- Included custom center punch makes precise marks on the frame for drilling. Marks all anchor pin holes, mounting screws, power, and optional LB sensor.
- Patented

Price:
4850-ITL **\$411**



To really see the **POWER** of the 4850-ITL watch our video...

Search “4850ITL” on Youtube



Custom Center Punch

ANSI-ITL

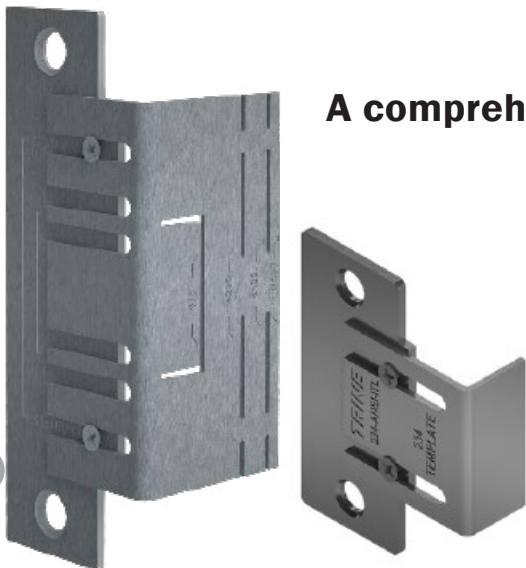
A comprehensive installation tool for our Premium 2-3/4” and 4-7/8” ANSI electric strikes

- The ANSI-ITL installation tool was designed to allow you to easily install these popular strikes:

- 234
- 4100DBDL
- 478X-375
- 234X-375
- 4200
- EN400
- 4100
- 478

- Screw directly into the pre-existing tabs and mark.
- Carbide tip scribe included
- Adjustability allows for use with Timely®/Redi®/Raco®/IDP® style frames.

Price:
ANSI-ITL **\$71**



www.trineonline.com

Wireless Chimes



232 -- BATTERY OPERATED

- Field selectable 2 note or 1 note
- Requires 3 "C" batteries (not included)
- Up to 100ft operating range
- 64 selectable security codes. Setting the same code on multiple devices will allow them to chime at the same time (if within range). Setting **different** codes will allow multiple chimes in proximity to work without interference
- A-23 battery included
- FCC-IC approved

Price:

232

\$34



233 -- PLUG IN

- Field selectable 8 note or 2 note
- Plugs into 120VAC outlet
- Automatically paired out of box. Maximum of 5 pushbuttons may be linked to 1 wireless chime at a time
- Up to 150 ft. operating range (increased range)
- A-23 battery included
- UL recognized, FCC-IC approved

233 unit was updated as of 10/31/19
See website for more information
and instruction sheet.

Price:

233

\$45

017TDC-4 – WIRELESS CONTROLLER

UTILIZES ROLLING CODE

- 500' Range
 - 2 Channel receiver and transmitter
 - Independently programmable A & B channel.
 - 4, 8, 16 second delay or alternate action trigger
 - Dry contact relay rated up to 30V @ 5 amps
 - Single push button program erase (for security)
 - Screw terminal connections
 - Up to 8 transmitters per one receiver.
 - FCC-IC approved.
- **Not backwards compatible with any previous 017TDC/018 models.**

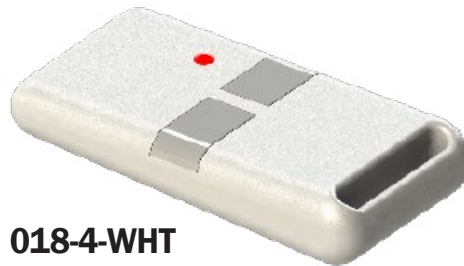


Price:
017TDC-4 **\$98**

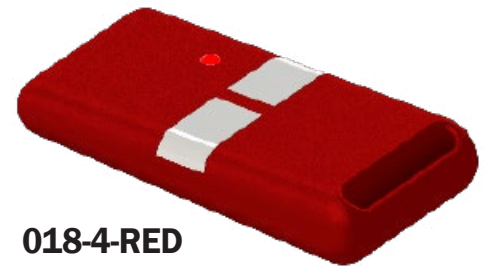
018-4 – WIRELESS TRANSMITTER

TWO BUTTON TRANSMITTER

- Four color options
- 8 transmitters per receiver.
- LED indicates operation
- Rolling Code technology provides self learning and 4+ billion codes.
- A-23 Battery Included
- FCC-IC approved



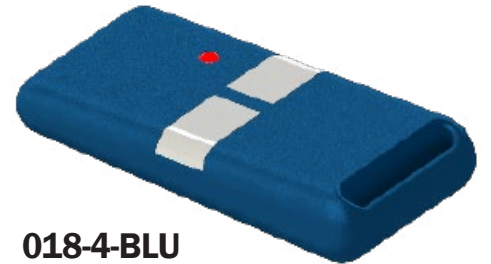
018-4-WHT



018-4-RED



018-4-BLK



018-4-BLU

PLEASE SPECIFY
COLOR WHEN
ORDERING

www.trineonline.com

Price:
018-4-BLK
018-4-BLU **\$40**
018-4-RED
018-4-WHT

Door Alarms, Switches, & Motion Alerts



206-2 – MOTION ALERT ANNUNCIATOR

- Moving objects are detected by changes in reflected light
- Battery operated with 2 “C” cells (not included)
- 3 selectable tones, 8 note melody, 2 note repeated, 2 note alternating tone
- Off, high & low volume control switch 77db (low) and 84db (high) @ 3 ft
- Durable white moulded plastic case 3-1/6” x 4-3/8” x 2-3/8”

Price:
206-2 \$31



206-3 – WIRELESS ENTRY/EXIT SIGNAL KIT

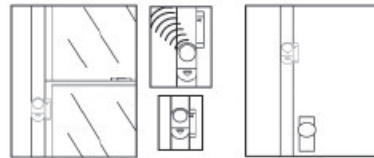
- 1 note, 2 note or 8 note melody chime, field selectable
- Wireless battery-operated door contact switch A-23 battery (included)
- Up to **100ft range** – 128 selectable codes. Setting the **same** code on multiple devices will allow them to chime at the same time (if within range). Setting **different** codes will allow multiple chimes in proximity to work without interference
- Receiver plugs into 120 VAC outlet
- Adjustable volume control, 74db (low) 82db (high) @ 3ft
- UL recognized, FCC-IC approved

Price:
206-3 \$63

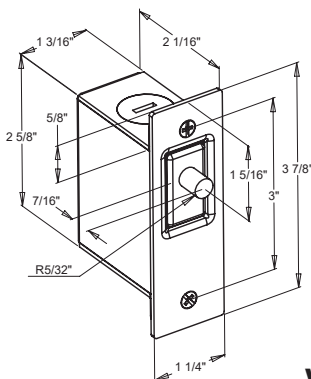


215 – WINDOW/DOOR ENTRY/EXIT SIGNAL KIT

- N/O magnetic contact switch activates alarm
- User can set for Chime or 105db alarm sound
- On/Off switch
- No wiring
- **(3) L1154 batteries (included)**
- Contacts provided with mounting tape



Price:
215 \$13



342 – ELECTRIC DOOR SWITCH (NARROW STYLE)

- Face plate brass finish 3-7/8”H x 1-1/4”W
- Box 2-5/8”H x 1-3/16”W x 2-1/8”D
- Switch Rating: 120VAC, 10 Amps 250VAC, 5 Amps
- Field selectable N/C or N/O
- Stamped steel case – UL, CSA listed switch & wire leads
- Faceplate Powder Coated Brass
- 4 - knockouts 7/8”

Price:
342 \$24



201 – CHIME KIT

- (1) White chime base, (2) Unlighted 66W white push buttons, and (1) 16VAC-10VA Hard wire transformer
- Mounting hardware included, excluding wire
- Offers 2 note front door/1 note rear door ability

Price:

201 \$31



203 – CHIME KIT

- (1) White chime base, (1) Lighted 45LG push button, and (1) 16VAC-10VA Hard wire transformer
- Mounting hardware included, excluding wire
- Offers 2 note front door/1 note rear door ability

Price:

203 \$31



240 – CHIME

- Chime base with solid white cover
- Offers 2 note front door/ 1 note rear door ability
- Operating voltage 12-16VAC – Mounting base hardware provided
- 80 db sound at 3 feet – Outer dimension 7-1/4" x 4-3/4" x 1-7/8"

Price:

240 \$32



296 – CHIME

- Chime base with solid white cover
- Offers 2 note front door/1 note rear door ability
- Operating voltage 12-16VAC – Mounting base hardware included
- 75db sound at 3 feet – Outer dimension 1-1/8" x 4" x 2"

Price:

296 \$24



270 – BUZZER

- Enclosed buzzer – 92db sound at 3 feet
- Operating range 3-6VDC, 8-16 VAC, 1 Amp draw
- Aluminum powder coat finish
- Includes mounting hardware

Price:

270 \$19



272 – BELL

- 100 db sound at 3 feet – 2-1/2" open bell
- Operating range 3-6VDC, 8-16 VAC, 1 Amp draw
- Aluminum powder coat finish
- Includes mounting hardware

Price:

272 \$21



274 – BELL

- 100 db sound at 3 feet – 4" open bell
- Operating range 3-6VDC, 8-16 VAC, 1 Amp draw
- Aluminum powder coat finish
- Includes mounting hardware

Price:

274 \$23



275 – ENCLOSED BELL

- 88 db at 3 feet
- Operating range: 3-8VDC, 1.4 Amp draw
- 6-8VAC, 0.7 Amp draw
- Grey finish – Includes mounting hardware

Price:

275 \$26



276 – ENCLOSED BELL & BUZZER

- 88 db at 3 feet
- Operating range: 3-8VDC, 1.4 Amp draw
- 6-8VAC, 0.7 Amp draw
- Grey finish – Includes mounting hardware

Price:

276 \$31

Transformers



For electric strikes, bells, buzzers, chimes, and other low voltage devices. A complete line of U.L. Listed step down transformers. Easy to install, low voltage, 120AC primary for residential, commercial and industrial uses. Transformers will safely take themselves off line when they overheat. Transformers can be either base mounted or attached to standard knockouts on boxes or cabinets (except plug-in types.) All primary leads are pre-stripped for quick connection.



598 -- (2) -- CLAMP ON TYPE/TRI VOLT (AC)

- Equipped with convenient screw-bracket mounting clamp for standard 1/2" knockouts
- 120 volt primary AC
- Electric Characteristics:
 - 2-15/16"D x 2-7/32"H x 2-11/32"W 1lb 6oz
 - 8VAC -- 20VA -- 2.50 AMPS
 - 16VAC -- 30VA -- 1.88 AMPS
 - 24VAC -- 30VA -- 1.25 AMPS

Price:
598 \$32



599 -- (2) -- CLAMP ON TYPE (AC)

- Equipped with convenient screw-bracket mounting clamp for standard 1/2" knockouts
- 120 volt primary AC
- Electric Characteristics:
 - 2-15/16"D x 2-3/16"H x 2-11/32"W 1lb 6oz
 - 24VAC -- 40VA -- 1.65 AMPS

Price:
599 \$33



5201 -- (3) -- PLUG IN TYPE (AC)

- 120 volt primary AC
- Electric Characteristics:
 - 2"D x 3"H x 2-1/2"W 7oz
 - 24VAC -- 20VA -- 0.834 AMPS

Price:
5201 \$29

5203 -- (3) -- PLUG IN TYPE (AC)

- 120 volt primary AC
- Electric Characteristics:
 - 2"D x 3"H x 2-1/2"W 7oz
 - 16VAC -- 20VA -- 1.250 AMPS

Price:
5203 \$29



5204 -- (3) -- PLUG IN TYPE (AC)

- 120 volt primary AC
- Electric Characteristics:
 - 2"D x 3"H x 2-1/2"W 7oz
 - 12VAC -- 20VA -- 1.667 AMPS

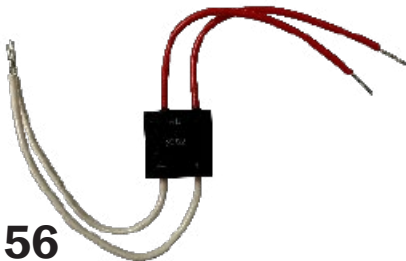
Price:
5204 \$29



5205 -- (4) -- PLUG IN TYPE/TRI VOLT (AC)

- 120 volt primary AC
- Electric Characteristics:
 - 2"D x 3"H x 2-1/2"W 7oz
 - 8VAC -- 10VA -- 1.25 AMPS
 - 16VAC -- 10VA -- 0.62 AMPS
 - 24VAC -- 20VA -- 0.83 AMPS

Price:
5205 \$34



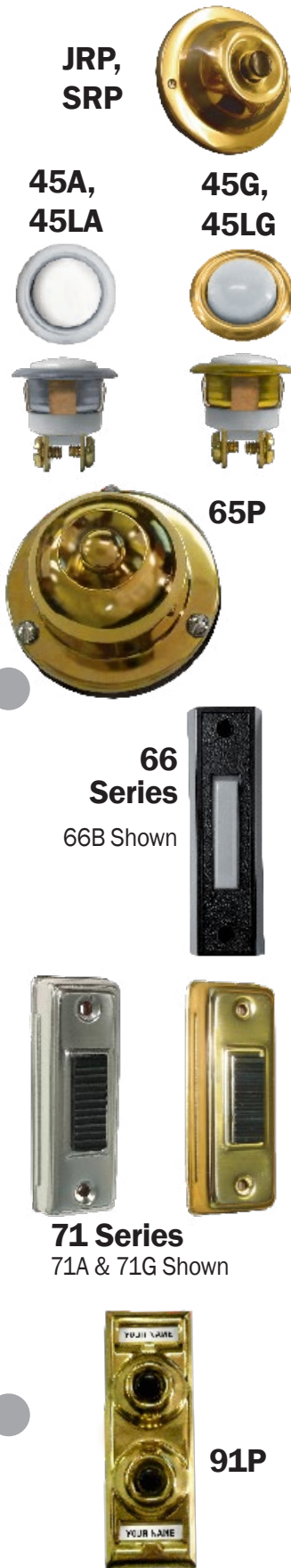
SR1 -- SILICON RECTIFIER (SR-1)

- For converting AC voltage to DC voltage
- Note: DC strikes do not buzz, click only
- Electric Characteristics:
 - For AC power supplies up to 27 volt AC 1 amp.
 - Size 1" x 1/2" x 1"
 - 12-27VAC -- 1.00 AMPS

NOW - Good for use with the Enhanced 4850

Price:
SR1 \$29

PUSH BUTTONS MUST BE PURCHASED IN PACKS OF 10 UNLESS NOTED



JRP, SRP	JRP – Polished Solid Brass w/ black center 1-3/4" Body Diameter – for use up to 30 volts AC or DC	Price: JRP \$10 ⁰⁰
	SRP – Polished Solid Brass w/ black center 2-1/4" Body Diameter – for use up to 30 volts AC or DC	Price: SRP \$11 ⁰⁰
45A, 45LA	45A – Silver Rim with Pearl Center 5/8" Body Diameter – for use up to 30 volts AC or DC	Price: 45A \$7 ⁰⁰
45G, 45LG	45G – Gold Rim with Pearl Center 5/8" Body Diameter – for use up to 30 volts AC or DC	Price: 45G \$7 ⁰⁰
	45LA – Silver Rim with Lighted Pearl Center 5/8" Body Diameter – for use up to 16 volts AC or DC	Price: 45LA \$9 ²⁵
	45LG – Gold Rim with Lighted Pearl Center 5/8" Body Diameter – for use up to 16 volts AC or DC	Price: 45LG \$9 ²⁵
	65P - Weatherproof Polished Solid Brass 2-1/2" Body Diameter *Sold in single packs* for use up to 30 volts AC or DC	Price: 65P \$63 ⁰⁰
	66B – Black with White Bar Molded Plastic 2-3/4"L X 3/4"W X 5/8"H – for use up to 30 volts AC or DC	Price: 66B \$7 ²⁵
	66C – Silver w/ White Bar Molded Plastic 2-3/4"L X 3/4"W X 5/8"H – for use up to 30volts AC or DC	Price: 66C \$7 ²⁵
	66G – Gold w/ White Bar Plated Molded Plastic 2-3/4"L X 3/4"W X 5/8"H – for use up to 30 volts AC or DC	Price: 66G \$7 ²⁵
	66W – White with White Bar Molded Plastic 2-3/4"L X 3/4"W X 5/8"H – for use up to 30 volts AC or DC	Price: 66W \$7 ²⁵
66 Series 66B Shown	66LB – Lighted Black w/ White Bar Molded Plastic 2-3/4"L X 3/4"W X 5/8"H – for use up to 16 volts AC or DC	Price: 66LB \$10 ⁰⁰
	66LC – Lighted Silver w/ White Bar Plated Molded Plastic 2-3/4"L X 3/4"W X 5/8"H – for use up to 16 volts AC or DC	Price: 66LC \$10 ⁰⁰
	66LG – Lighted Gold w/ White Bar Plated Molded Plastic 2-3/4"L X 3/4"W X 5/8"H – for use up to 16 volts AC or DC	Price: 66LG \$10 ⁰⁰
	66LW – Lighted White w/ White Bar Molded Plastic 2-3/4"L X 3/4"W X 5/8"H – for use up to 16 volts AC or DC	Price: 66LW \$10 ⁰⁰
	71A – Anodized Aluminum Housing w/ Black Bar 2-3/4"L X 1"W X 3/4"H – for use up to 30 volts AC or DC	Price: 71A \$11 ⁰⁰
	71DB – Dark Bronze Powder Coated Housing w/ Black Bar 2-3/4"L X 1"W X 3/4"H – for use up to 30 volts AC or DC	Price: 71DB \$11 ⁰⁰
	71G – Anodized Brass Aluminum Housing w/ Black Bar 2-3/4"L X 1"W X 3/4"H – for use up to 30 volts AC or DC	Price: 71G \$11 ⁰⁰
71 Series 71A & 71G Shown	71LA – Lighted Anodized Aluminum Housing w/ White Bar 2-3/4"L X 1"W X 3/4"H – for use up to 16 volts AC or DC	Price: 71LA \$12 ⁰⁰
	71LDB – Dark Bronze Powder Coated Housing w/ White Bar 2-3/4"L X 1"W X 3/4"H – for use up to 16 volts AC or DC	Price: 71LDB \$12 ⁰⁰
	71LG – Lighted Anodized Brass Aluminum Housing w/ White Bar 2-3/4"L X 1"W X 3/4"H – for use up to 16 volts AC or DC	Price: 71LG \$12 ⁰⁰
	91P – Multi-Family, Polished Solid Brass Housing 4-3/4"L X 5/8"W X 3/4"H – for use up to 30 volts AC or DC *Must be ordered in 5 pack quantity	Price: 91P \$22 ⁰⁰
	94P – 3-Button Multi-Family, Polished Solid Brass Housing 7"L X 5/8"W X 3/4"H – for use up to 30 volts AC or DC *Must be ordered in 5 pack quantity	Price: 94P \$24 ⁰⁰

Glossary



ALTERNATING CURRENT (AC)

An electric current that reverses direction in a circuit at regular intervals.

CONTINUOUS DUTY

A device that is designed to operate continuously without rest.

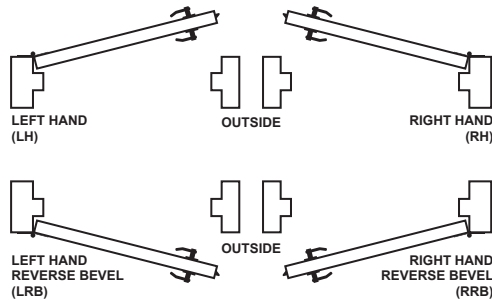
CURRENT

Measured flow of electrons through an electrical conductor. Normally measured in amperes.

DIRECT CURRENT

An electric current flowing in one direction.

DOOR HANDING



HANDING OF DOOR IS ALWAYS DETERMINED FROM THE OUTSIDE.

FAIL SAFE

A device that is normally open and locks when power is applied to the unit. Example: During a loss of power the device remains open. Often listed as "RS"

FAIL SECURE

A device that is normally closed or locked until power is applied. Example: During a loss of power the device remains locked.

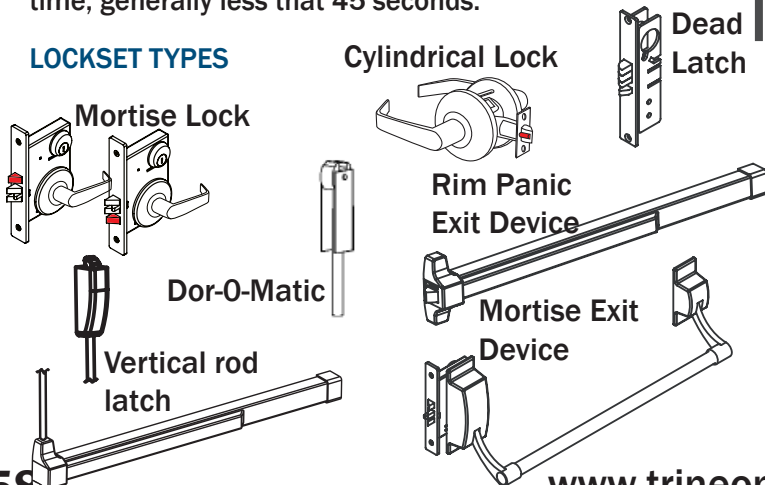
FUSE

A device that is placed in the path of energy that will break the circuit if the current becomes too great. This is accomplished by having a strip of metal that will melt when the current exceeds the required amount.

INTERMITTENT DUTY

A device that is designed to operate for a short period of time; generally less than 45 seconds.

LOCKSET TYPES



NORMALLY OPEN

The contacts of a switch or relay are normally open or not connected. When activated the contacts close or become connected. EXAMPLE: A switch is not depressed and the circuit is not complete.

NORMALLY CLOSED

The contacts of a switch or relay are normally closed or connected. When activated the contacts open or become disconnected. EXAMPLE: A switch is not depressed and the circuit is complete.

OHMS

The measure of resistance of an electrical device to resist the flow of energy.

RECTIFIER

A device that is commonly used to convert AC to DC. Commonly used to silence the audible sound that an electrical strike can make while energized on AC current.

RELAY

An electro-magnetic device activated by a variation in conditions in one electric circuit and controlling a larger current or actuating other devices in the same or another electric circuit.

STANDARD VOLTAGE

Electric door strike supplied with magnetic coils: 4-6VDC/8-16VAC. Electric door strikes supplied with a solenoid coil: 6-10VDC, 10-16VAC: other voltages available.

TRANSFORMER

A device consisting essentially of two or more coils of insulated wire that transfers alternating current by electro-magnetic induction from one winding to another at the same frequency, but usually with changed voltage & current.

VOLT

A unit of electric potential equal to the difference of electric potential between two points that have a resistance of one ohm and through which a current of one amperes is flowing.

VOLTAGE DROP?

We recommend the following wire sizes:

Wire Length	12V	24V
Up to 50 ft.	18 AWG	20 AWG
51-150 ft.	16 AWG	18 AWG
151-300 ft.	14 AWG	16 AWG
301-600 ft.	12 AWG	14 AWG

WATT

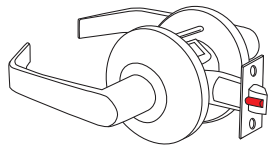
The power developed in a circuit by a current of one ampere flowing through a potential difference of one volt.

Strike Selector

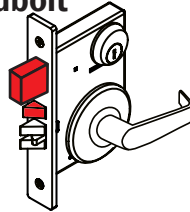


What lockset do you have?

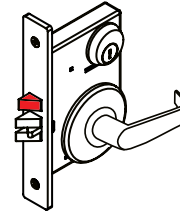
Cylindrical Lock



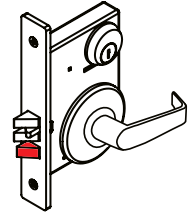
Mortise with a deadbolt



Mortise Lock



Mortise Lock



Your choice of electric strikes are:

A C F I J K L M N O

B

A F*

A C*

4100

A

Intertek
3 Hour Fire, 1034, & 294 rated

4100DBDL

B

SPECIALIZED SOLUTIONS
ELECTRIC STRIKE SERIES

Fire Rated Intertek

Independently operated latches

4200

C

294 & Burg. Rated Intertek

Removeable Fascia to match the frame.

4850

D

4800F

E

Surface Mount Strikes

Enhanced

400CMRP

F

UL

THE OUTDOOR SOLUTION FOR ELECTRIC STRIKES

3 Hour Fire, 1034, & 294 rated

Compatible Door Frames

- Aluminum
- Hollow Metal
- Wood

Use the **4100RX** for Raco® frames (covers the extra 1/4" gap in the frame)

- Aluminum
- Hollow Metal
- Wood

Best strike for allowing deadbolt privacy with an override.

- Aluminum
- Wood

ONLY strike with Fascia Color Options -- Match the Fascia to your frame!

- Aluminum
- Hollow Metal
- Wood

For use with the Yale Squarebolt® or Corbin Russwin Securebolt™

NOTE
Use the **4801**

- Hollow Metal
- Wood

Great for Gates

F* for use on offset mortise locks in outdoor situations see 430/435 on pg 39

4100DB & 4100CDBM
(4 FACEPLATES) (8 FACEPLATES!)

B

NIGHT LATCH ONLY FUNCTIONALITY - FOR MORTISE LOCKS WITH DEADBOLTS

C

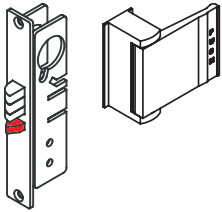
4200CC-10B-32D

4-7/8" faceplates only, two color options included, best pricing option in the 4200 series.

4200CC7-10B-32D

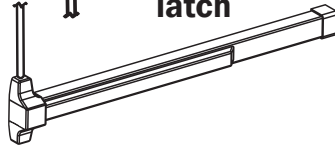
4-7/8" & 6-7/8" faceplates, two color options included.

Dead Latch



A C N O

Vertical rod latch



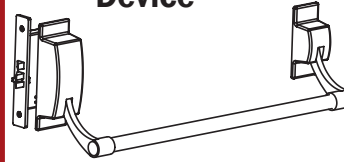
G

Dor-o-matic™



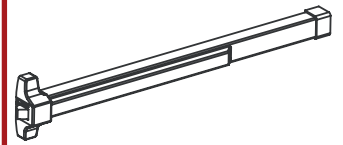
H

Mortise Exit Device



A F*

Rim Panic Exit Device



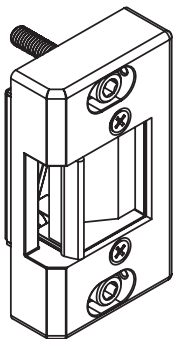
D E F

Smallest Electric Strike in the World

not recommended for use on uncovered exterior doors.

SPECIALIZED SOLUTIONS
ELECTRIC STRIKE SERIES

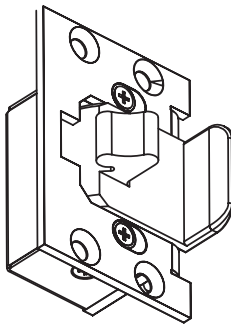
THE VERTICAL ROD LATCH SOLUTION



3275VRP-LC

G

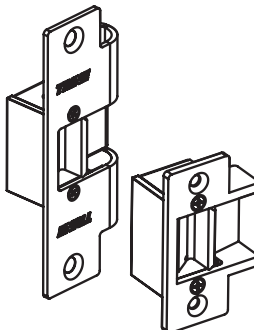
The Dor-O-Matic™ Solution!!!



3250SOM-LC STRIKE-O-MATIC™

H

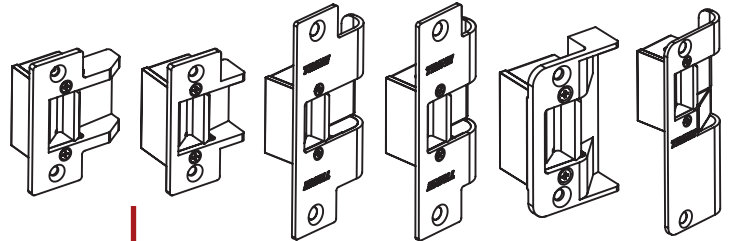
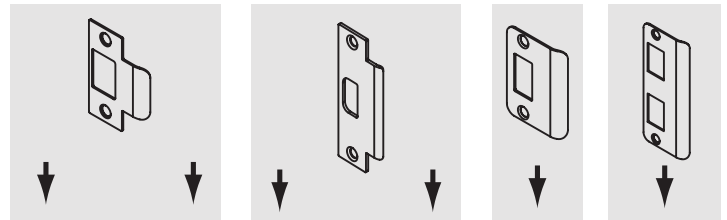
THE SMALLEST ELECTRIC STRIKE IN THE WORLD IS NOW FIRE RATED



323478F-LC 323478FX-LC

I

Compatible Strike Plates



234X-375

J

234

K

478X-375

L

478

M

258, 258RD

N

458

O

Compatible Door Frames

- Aluminum
- Hollow Metal
- Wood

2-3/4" WIDE PLATE. FITS IN TIGHT SPOTS IN THE HEADER

- Aluminum
- Hollow Metal
- Wood

- Aluminum
- Formed Sheet Metal
- Wood

- Formed Sheet Metal
- Wood

- Hollow Metal
- Wood

- Aluminum
- Formed Sheet Metal
- Wood

- Hollow Metal
- Wood

- Aluminum

- Aluminum

Formed Sheet Metal

Frame Images

Hollow Metal Frame

Aluminum

Wood
Use 2" long mounting screws.

**EXAMPLE: PRE-FINISHED FRAMES LIKE TIMELY®, REDI®, RACO®, FRAMEWORKS TYPE-II® WITH SNAP-ON TRIMS.

CONDITIONS OF SALE

Distributors and Other Commercial Customers

Note: The following Conditions of Sale are subject to change: All Sales Transactions are subject to the latest published Conditions of Sale of the Trine Access Technology Corporation and to any Special Conditions of Sale which may be contained in applicable Trine quotations and acknowledgements. Modified product warranties are provided to consumers.

1. **ACCEPTANCE, GOVERNING PROVISIONS AND CANCELLATIONS.** No order for Trine Access Technology or services shall be binding upon Trine until accepted by a writing of an authorized official of Trine or by shipment or other performance of such order. Any such order shall be subject to these Conditions of Sale, and acceptance shall be expressly conditioned on assent to such Conditions, which assent shall be deemed given unless purchaser shall expressly notify Trine to the contrary prior to the earlier of any shipment or other performance of an order by Trine or within five (5) days after purchaser's receipt of any acknowledgement or confirmation of such order. Trine expressly reserves the right to reject and withdraw acceptance of any order.

No order accepted by Trine may be altered or modified by purchaser unless agreed to in a writing signed by an authorized official of Trine; and no such order may be cancelled or terminated except upon payment of Trine's loss, damage and expense arising from such cancellation or termination. These Conditions of Sale may not be supplemented or modified by course of dealing, course of performance or any oral communication between the parties. No modified or other conditions will be recognized by Trine unless specifically agreed to in writing and failure of Trine to object to provisions contained in any purchase order or other communication from a purchaser (including, without limitation, penalty clauses of any kind) shall not be construed as a waiver of these Conditions nor an acceptance of any such provisions.

Unless otherwise agreed in writing by a duly authorized representative of Trine, products sold hereunder are not intended for use or in connection with a nuclear facility or activity. If so used, Trine disclaims all liability for any nuclear damage, injury or contamination, and purchaser shall indemnify Trine against any such liability, whether as a result of breach of contract, warranty, tort (including negligence) or otherwise. Any contract for sale and these Conditions shall be governed by and construed according to the laws of the State of Connecticut. Any dispute arising out of or relating to these Conditions of Sale or any matter relating hereto shall be brought in the federal or state courts sitting in or for the Bethel, Connecticut, and the parties waive any objection they may have to the jurisdiction or subject matter of these courts.

QUOTATIONS AND PRICES. Written quotations are conditioned upon acceptance by purchaser within thirty (30) days from the date issued and shall be considered as offers by Trine to sell during such thirty (30) day period on these Conditions of Sale unless sooner terminated by notice. Other Trine publications are maintained as sources of general information and are not quotations or offers to sell.

All clerical errors are subject to correction.

MINIMUM ORDER: \$100.00 Net. DROP SHIP FEE: Trine reserves the right to charge a fixed fee of \$10.00 for shipping to an address other than customers.

All prices are subject to change without notice. In the event of a net price change, the price of equipment on order but unshipped will be adjusted to the price in effect at the time of shipment. Downward adjustment of prices shall apply only to unshipped portions of outstanding orders.

3. **PAYMENT TERMS.** Unless otherwise agreed by Trine, terms of payment for Trine products to purchasers of satisfactory credit are either (1) a 1% cash discount for all invoices paid in full if the payment is received by Trine within 10 days after the date of Trine's invoice or (2) full payment to be received by Trine within 30 days after the date of Trine's invoice. Applicable terms of payment are stated in quotations or on the discount sheet for the product involved. Cash discount will apply only to the net amount of the invoice after transportation charges and taxes. A late charge of 1% per month or the maximum amount permitted by law will be applied to all past due amounts.

Trine reserves the right at any time to demand full or partial payment before proceeding with a contract of sale if, in its judgment, the financial condition of purchaser shall not justify the terms of payment specified. If delivery is delayed or deferred by purchaser beyond the scheduled date, payment shall be due in full when Trine is prepared to ship and the products may be stored at the risk and expense of purchaser. If purchaser defaults when any payment is due, then the whole contract price shall become due and payable upon demand, or Trine, at its option, without prejudice to other lawful remedies, may defer delivery or cancel the contract for sale.

4. **TAXES AND OTHER CHARGES.** Any manufacturer's tax, retailer's occupation tax, use tax, sales tax, excise tax (except the Federal excise tax on vehicles), duty, custom, inspection or testing fee, or other tax, fee or charge of any nature whatsoever, imposed by any governmental authority, on or measured by any transaction between Trine and purchaser, shall be paid by purchaser in addition to the prices quoted or invoiced. In the event Trine shall be required to pay any such tax, fee or charges, purchaser shall reimburse Trine therefore; or, in lieu of such payment, purchaser shall provide Trine at the time the order is submitted with an exemption certificate or other document acceptable to the authority imposing the same. Purchase orders must state the existence and amount of any such tax, fee or charge which it shall be Trine's responsibility to collect from purchaser and pay.

5. **DELIVERY.** Delivery of products to a carrier at any Trine facility or other shipping point shall constitute delivery to purchaser; and, regardless of freight payment, title and all risk of loss or damage in transit shall pass to purchaser at that time. Trine cannot be held responsible for breakage after having received "in good order" receipts from the transportation company. All claims for loss and damage must be made by purchaser to the carrier. Claims for shortages or other errors must be made in writing to Trine within 15 days after receipt of shipment, and failure to give such notice shall constitute unqualified acceptance and a waiver of such claims by purchaser. Unless otherwise agreed by Trine in quotations, discount schedules, catalogs or other Trine publications, all expenses of freight FOB Trine's place of shipment shall be borne by purchaser. No allowance will be made in lieu of transportation if purchaser accepts shipment at factory, warehouse, freight station, or otherwise supplies its own transportation. Method and route of shipment will be at the discretion of Trine unless purchaser shall specify otherwise, and any additional expense of the method or route of shipment specified by purchaser shall be borne by purchaser. Trine reserves the right to make delivery in installments, unless otherwise expressly stipulated in the contract for sale; and all such installments when separately invoiced shall be paid for when due per invoice, without regard to subsequent deliveries. Delay in delivery of any installment shall not relieve purchaser of its obligations to accept remaining deliveries.

6. **SUBSTITUTES.** Trine may furnish suitable substitutes for materials unobtainable because of priorities or regulations established by governmental authority or non-availability of materials from suppliers, and assumes no liability for deviation from published dimensions and descriptive information not essential to proper performance of the products.

7. **WARRANTIES TO DISTRIBUTORS AND OTHER COMMERCIAL CUSTOMERS.** Trine warrants products manufactured by it to be free from defects in materials and workmanship for a period of one (1) year from date of shipment by Trine, except for all Axion (R) labeled products which are covered for two (2) years from date of shipment by Trine. If within such period any such products shall be proved to Trine's satisfaction to be so defective, such products shall be repaired or replaced at Trine's option. This warranty shall not apply (a) to products not manufactured by Trine, (b) to products which shall have been repaired or altered by other than Trine so as, in its judgment, to affect the same adversely, or (c) to equipment which shall have been subjected to negligence, accident or damage by circumstances beyond Trine's control, or to improper operation, maintenance or storage, or to other than normal use or service. With respect to products not manufactured by Trine, the warranty obligations of Trine shall in all respect conform and be limited to the warranty actually extended to Trine by its supplier. The foregoing warranties do not cover reimbursement for transportation, removal, installation, or other expenses which may be incurred in connection with repair or replacement. Except as may be expressly provided in an authorized writing by Trine, Trine shall not be subject to any other obligations or liabilities whatsoever with respect to products manufactured by Trine or services rendered by Trine.

THE FOREGOING WARRANTIES ARE EXCLUSIVE AND IN LIEU OF ALL OTHER EXPRESS AND IMPLIED WARRANTIES, INCLUDING WITHOUT LIMITATION TITLE, MERCHANTABILITY AND FITNESS FOR A PARTICULAR PURPOSE.

8. **LIMITATION OF LIABILITY.** Anything to the contrary herein contained notwithstanding, TRINE ACCESS TECHNOLOGY, ITS CONTRACTORS AND SUPPLIERS OF ANY TIER SHALL NOT BE LIABLE IN CONTRACT, IN TORT INCLUDING NEGLIGENCE OR STRICT LIABILITY) OR OTHERWISE FOR ANY SPECIAL, INDIRECT, INCIDENTAL CONSEQUENTIAL, PUNITIVE, OR EXEMPLARY DAMAGES WHATSOEVER. The remedies of the purchaser set forth herein are exclusive where so stated and the total cumulative liability of Trine, its contractors and suppliers of any tier, with respect to this contract or anything done in connection therewith, such as the use of any product covered by or furnished under the contract, whether in contract, in tort (including negligence or strict liability) or otherwise, shall not exceed the price of the product or part on which such liability is based. Further, any claim purchaser may have with reference to Trine products or services sold or provided hereunder shall be deemed waived by purchaser unless asserted against Trine in writing within 90 days from the date the purchaser discovered, or should have discovered, the basis for the claim.

9. **RETURN OF EQUIPMENT.** No products may be returned without first obtaining Trine's written permission and a returned goods authorization number. Trine shall issue a credit to purchaser for returned goods, subject to the terms of this paragraph, and purchaser will not be entitled to any other form of reimbursement for returns. Products accepted for credit, not involving a Trine error, **shall be subjected to a minimum service charge of \$25.00, or a charge of 20% of invoice**, whichever is greater, plus all transportation charges incurred by Trine. THE MINIMUM RESTOCKING CHARGE IS \$25.00. Returned products must be securely packed to reach Trine without damage, any cost incurred by Trine to put the products in first class condition will be charged to purchaser.

10. **PATENTS.** As to products sold to purchaser by Trine, Trine shall defend any suit or proceeding brought against purchaser so far as based on a claim that said products constitute an infringement of any patent of the United States, if notified promptly in writing and given authority, information and assistance at Trine's expense for the defense of the same. In the event of a final award of costs and damages, Trine shall pay such award. In the event the use of said products by purchaser is enjoined in such a suit, Trine shall, at its own expense, either (a) procure for purchaser the right to continue using said products, (b) modify said equipment to render them non-infringing, (c) replace said products with non-infringing products, or (d) refund the purchase price (less depreciation) and the transportation and installation costs of said products. Trine will not be responsible for any compromise or settlement made without its written consent. The foregoing states the entire liability of Trine for patent infringement, and in no event shall Trine be liable if the infringement charge is based on the use of Trine products for a purpose other than that for which sold by Trine, any alteration to the Trine products or the use of the Trine products with any other product or service not manufactured by Trine. As to any products furnished by Trine to purchaser and manufactured in accordance with designs provided by purchaser, purchaser shall defend, indemnify and hold harmless Trine against any award made against Trine for patent, trademark, or copyright infringement.

11. **PATTERNS AND TOOLS.** Notice will be given if special patterns or tools are required to complete any order. Charges for such patterns or tools do not convey title thereto or the right to remove them from Trine's plant. If patterns or tools are not used for a period of two years, Trine shall have the right to scrap them without notice.

12. **FORCE MAJEURE.** Trine shall not be liable in damages or otherwise for delays in shipment or default in delivery for any reason of force majeure or for any cause beyond Trine's reasonable control including, but not limited to (a) an act of nature; (b) government action, war, riots, civil commotion, embargoes or martial laws, (c) Trine's inability to obtain necessary materials from its usual sources of supply, (d) shortage of labor, raw material, production or transportation facilities or other delays in transit, (e) other contingencies of manufacture or shipment. In the event of any delay in Trine's performance due in whole or in part to any cause beyond Trine's reasonable control, Trine shall have such additional time for performance as may be reasonably necessary under the circumstances. Acceptance by purchaser of any goods shall constitute a waiver by purchaser of any claim for damages on account of any delay in delivery of such goods.

TRINE	Adams Rite	Folger Adam	H.E.S.	RCI	Von Duprin
4100	----	----	4500, 1500 1006CLB Φ	----	6400 Φ 6211/6211WF Φ
4100DB	----	----	1600/CDB, 1006/CDB *	2164	6400
4100CDBM	----	712/712-75/732 732-75/642CYL Φ	1600CS	----	----
4100DBDL	----	----	----	----	----
4200	7100 7400	----	5000	4200 w/ 4 faceplates S/L65U	4200 5100
4200CC	----	----	5000C	----	----
4850	----	----	9400 ^{Δ} , 9600	0563	----
4800F	----	----	9500, 9600	0162F	6300
4801	----	----	9700	----	----
EN400	7200	712/712-75/732 732-75/642CYL	1006J/7501	2114/F4114*	6211/6211WF
EN800**	74R1	310-4	7000-783S**	0161	6112
EN850**	74R2	310-4	7000-789S**	----	----
EN950	----	310-2	7505	----	6215/6226
EN960	----	310-2 3/4	----	----	6214/6224
3478F	7200	----	----	F4114	----
323478LC	----	----	----	----	----
323478F-LC	----	----	----	----	----
234 ∂	----	----	----	----	----
258‡ ∂	----	----	----	----	----
458Ω ∂	----	----	----	----	----
478‡ ∂	7400+	----	5000/5200+501	L6514+	----
3250SOM-LC	----	----	----	----	----
3275VRP-LC	----	----	----	----	----

- + Strike has 1-1/16" backset vs. 1" backset for 3000 Series.
- Ω Requires 80% less cutting of frame. Fills the frame preparation of the Adams Rite MS Locks without the need To relocate tabs for 6 5/8" or 6 7/8" electric strikes.
- ‡ Requires 60% less frame face cutting other than models listed.
- Δ 9400 backplate means it can only handle up to a 1/2" throw – The 4850 can take up to a 1" throw.
- * UL 90 Minute Fire Rated
- ** All Stainless Steel construction, not fire rated.
- Φ Not a shallow (1 3/8") backset – cannot be used in 2" fire rated frames with 1/2" sheetrock ingress
- ∂ Number is for the Faceplate – use with a 3012, 3024, 30LC, or 30RS Mechanism, see pg 34 for more details.

NOTE: There may be variations in physical size or electrical characteristics between manufacturers. Information in the above chart based on manufacturers' catalogs and reference should be made to manufacturer's catalog for complete detail comparisons.



TRINE
ACCESS TECHNOLOGY®

Trine Access Technology
2 Parklawn Drive, Suite F
Bethel, CT 06801

PH: 203-730-1756 || FX:203-730-1781
www.trineonline.com

Effective Date November 15, 2021

DISTRIBUTED BY

AHS

ACCESS HARDWARE SUPPLY
accesshardware.com