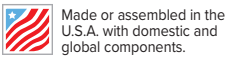




Front



Rear



Made or assembled in the U.S.A. with domestic and global components.

Model No.

# VRG-810-72

## Speaker Assembly w/Vandal-Resistant Grille

The VRG-810-72 speaker assembly features a cast aluminum grille with secondary galvanized steel perf, and includes a mounted 8" driver. Designed to provide consistent performance with clear intelligibility and wide dispersion it is an excellent choice for general paging and distributed music where speaker security is of prime consideration for indoor locations. Ships ready for installation.

### FEATURES

#### VANDAL-RESISTANT GRILLE (VRG-8):

- Cast aluminum with 18-gauge galvanized steel perf for added protection
- White finish
- Square (11.44" x 11.44")
- Screw-mount (includes vandal-resistant Torx security screws)



#### DRIVER (810):

- 8" 15W dual cone driver
- Power rating of 15 watts RMS
- 10 oz. ceramic magnet
- Driver cone molded of a high fiber content material to provide smooth extended frequency response and a clean natural sound.
- For indoor use only

#### WIRED TRANSFORMER (TLM-572):

- Dual voltage 25V/70V
- Taps at 0.25, 0.5, 1, 2, and 5W

#### OPTIONAL HARDWARE:

- TSB: Torx security bit for drill

### A&E SPECIFICATIONS

The speaker assembly shall be Lowell model VRG-810-72, which shall feature a vandal-resistant cast aluminum grille with secondary galvanized steel perf. The cast aluminum grille with white finish shall be mounted to an 8" dual cone driver with transformer. The driver shall have a 15 watt RMS power rating and employ a 10 oz. ceramic magnet and molded high fiber cone. The wired transformer shall be dual voltage (25V/70V) and have primary taps at 0.25, 0.5, 1, 2, and 5W.

### VRG SERIES SUMMARY

THIS SPEC

Assembly Model No.	Driver	Transformer	Transformer Taps	Cast Aluminum with White Finish	Ideally Suited For
<b>VRG-810-72</b>	<b>8" 15W Dual Cone</b>	<b>25V/70V</b>	<b>0.25, 0.5, 1, 2, 5W</b>	<b>Square, screw-mount</b>	<b>Indoor</b>
VRG-8C10MRB-72	8" 15W Single Cone	25V/70V	0.25, 0.5, 1, 2, 5W	Square, screw-mount	Indoor/Outdoor
VRG-LUH15TX	15W Compression	25V/70V/100V or 8ohm	varies	Square, screw-mount	Indoor/Outdoor
<i>OPTION</i>	<i>Description</i>				
	TSB Torx security bit for drill				

## SPEAKER ASSEMBLY SPECIFICATIONS (MEASURED HALF SPACE)

Assembly No.	Driver Power Rating	Driver Magnet	Transformer Taps	Assembly Frequency Response	Assembly Dispersion @2000Hz Octave	Assembly Sensitivity	Assembly Mounting Depth *	Max SPL
VRG-810-72	15W	10 oz.	.25, .5, 1, 2, 5W @70/25V	53Hz-5.3kHz (+6dB) 50Hz-20kHz (+12.4dB)	80 degrees conical (-6dB)	97.1dB Avg SPL	2.84"	104.1dB **

\* Minimum enclosure depth required for assembly to be rear-mounted to grille. \*\* Calculated value 1M @ maximum transformer tap (5W).

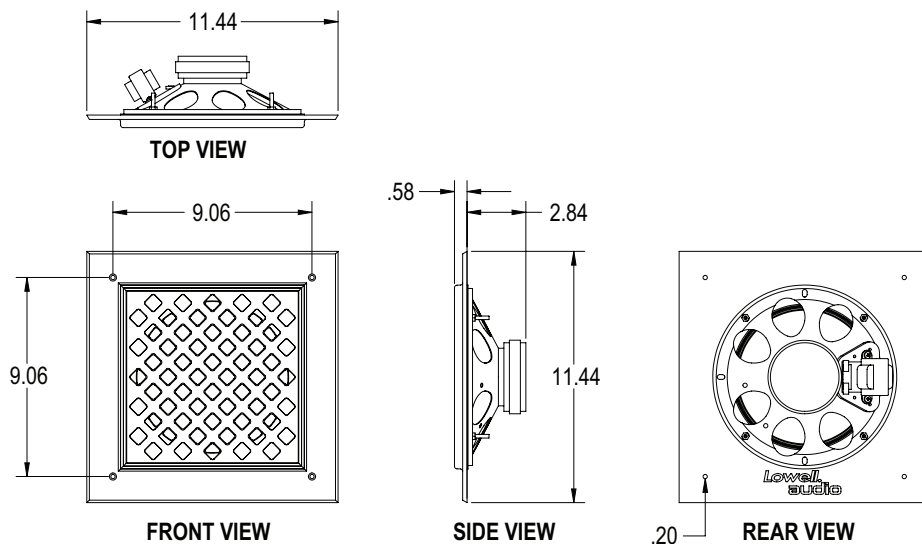
Additional information available on specification sheet for Driver No. 8C10MRB

**Note on Spacing:** To determine speaker spacing, see the technical paper "Distributed System Speaker Spacing for the Integrator." A free download is available at [Lowellmfg.com](http://Lowellmfg.com), where an online spacing calculator is also available.

## COMPATIBLE COMPONENTS (ORDER SEPARATELY):

**Note:** Grilles are designed to work with speakers, and enclosures listed on this specification sheet. Using the grille to install speakers without a metal enclosure may not meet the requirements of all local and national electrical and building codes. The installer should request approval of the installation method from the Authority Having Jurisdiction (AHJ) before installing the speaker system.

Application	Enclosure	Mounting Aids
SURFACE-mount	CB84-SGVPA (indoor use only)	Mounting screws (furnished by contractor)
RECESSED in Tile Ceiling	P68XA (4"D) P68XA-6 (6"D)	SS24, SS30, or SS48 tile support rails or contractor's custom hardware
RECESSED Before Drywall Installed	P68XA (4"D) P68XA-6 (6"D)	SS24, SS30, or SS48 mounting rails (to span ceiling structural members) or contractor's custom hardware
RECESSED Retrofit in Existing Drywall	P68XA (4"D) P68XA-6 (6"D)	SS9.5 retrofit mounting rails or contractor's custom hardware



**WARNING!** Speaker installation should only be performed by experienced qualified professionals with knowledge of load-rated hardware and safe installation, mounting, and rigging techniques. Improperly installed equipment can result in property damage, personal injury, death, and/or liability to the installing contractor. The speaker system must be mounted in accordance with all local, state, and federal codes and regulations and the installation must conform to industry standard practices. It is the responsibility of the installer to furnish all installation hardware, rigging hardware, and safety or restraint cables to be used. Before installation, it is the responsibility of the installer to consult a licensed mechanical or structural engineer to evaluate and certify the structural integrity and safety of any mounting method and the suitability of that method to be used to mount the loudspeaker to the building structure in this particular installation. Lowell Manufacturing is not responsible for the use, misuse, misapplication, or unsafe installation of this loudspeaker product.