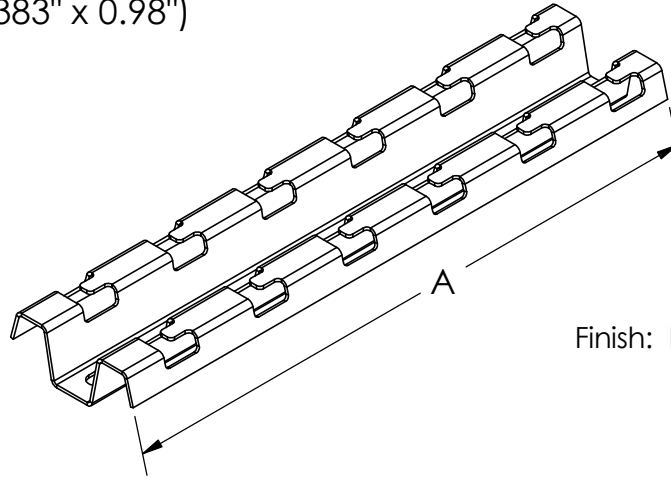
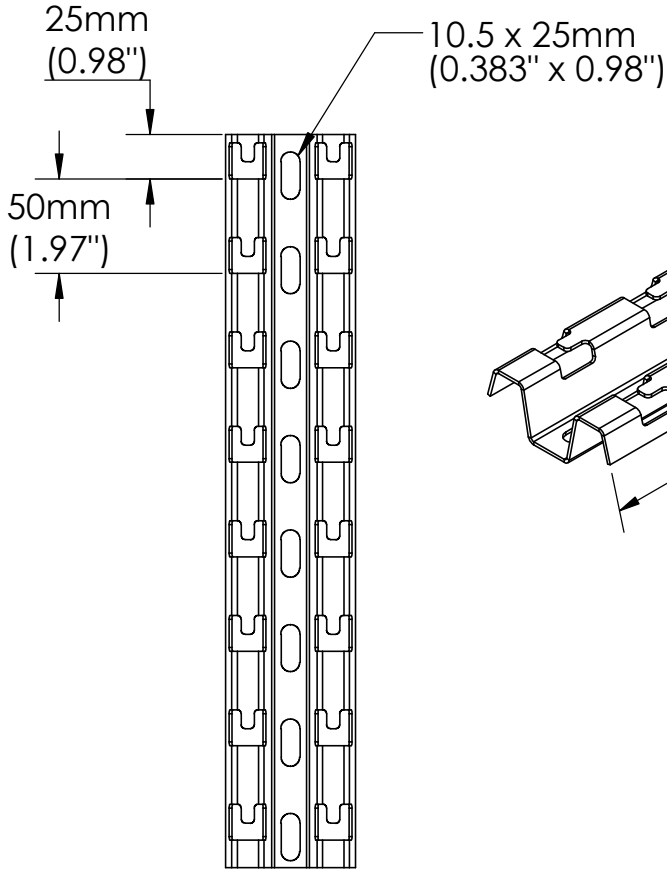


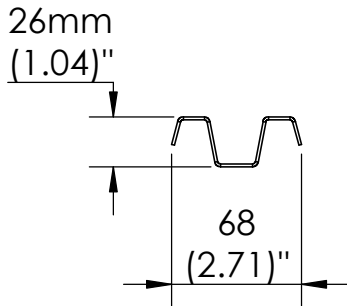


Cablofil Wire Mesh Cable Tray Support

Trapeze Support **FASP**



Finish: PG (Pre-Galvanized)
 BL (Black Painted)
 WH (White Painted)
 PE (Custom Painted)
 HR (High Resistance)
 316L (Stainless Steel 316)



PART NO.	A		WEIGHT lb	SWL lb
	in	mm		
FASP150	5.67	144	0.38	224
FASP200	7.64	194	0.51	280
FASP300	11.57	294	0.77	336
FASP400	15.51	394	1.03	392
FASP450	17.48	444	1.17	448
FASP500	19.45	494	1.30	504
FASP550	21.42	544	1.43	560
FASP600	23.39	594	1.56	616
FASP700	27.32	694	1.82	616
FASP1000	39.13	994	2.61	BULK LENGTH
FASP2000	78.50	1994	5.23	
FASP3000	117.87	2994	7.86	

NOTES:

1. FOR TRAPEZE HUNG INSTALLATIONS, USE 4" LONGER PROFILE THAN TRAY WIDTH. EXAMPLE: CF54/300 TRAY (12") USE FASP400 (16").
2. MAXIMUM THREADED ROD SIZE IS 3/8". FOR USE WITH LARGER SIZES OF THREADED ROD, BRACKET HOLES MUST BE DRILLED LARGER.
3. PATENTED FAS STYLE ATTACHMENT SECURES TRAY WITHOUT NUTS OR BOLTS.
4. THREADED RODS, NUTS AND WASHERS SOLD SEPARATELY.

"Copyright LNA, Inc. Drawings are proprietary and may not be copied or otherwise duplicated or used without express written permission."

CABCS0101

Legrand
 8319 State Rt. 4
 Mascoutch, IL 62258 USA
 800-658-4641
 618-566-3250
 Fax 618-566-4978
www.legrand.us/cablofil