

Wheelock Eluxa outdoor

Eluxa outdoor

Best-in-class, next-generation, weatherproof LED notification appliances
NEMA Type 3R/ IP54 and NEMA Type 4X/IP66 rated for optimal performance in extreme environments.



EATON

Powering Business Worldwide



We make safe and sound work.*

* Every day, people prioritize safety to prevent injury and save lives. That is why the world trusts Eaton to provide innovative life safety and mass notification devices that alert individuals to the presence of a fire or other hazardous situations. Offering peace of mind and a sense of security that can be invaluable in times of crisis.

Life safety notification is our business, which allows us to focus on advancing technology in this critical market. Our 100-year commitment to investing in the well-being of others means that our \$1 billion estimated installed base of life safety appliances has potentially saved thousands of lives in North America, if not worldwide.

While life safety notification appliances are code-mandated, every application requirement is unique. Eaton is committed to a collaborative approach to solving the most demanding life safety requirement challenges with robust customer, application, and tech support. These unique, decades-long business partnerships fostered by a commitment to service have often inspired our newest technologies.

[See more at Eaton.com/lifesafetynotification](https://www.eaton.com/lifesafetynotification)

Introducing Eluxa outdoor

Best-in-class, next-generation LED notification appliances for outdoor applications



Rugged

Eluxa outdoor is an exceptional choice for applications exposed to extreme conditions. The cutting-edge solution can deliver optimal performance thanks to its NEMA type 3R and 4X ratings, making it resistant to corrosion and ice formation. In addition, its IP54 and IP66 ratings provide superior protection against dust and water, making it an ideal choice for areas of high humidity, extreme heat or severe cold.

Energy efficient

Eluxa notification appliances offer ultimate energy efficiency, reducing power consumption while providing cost savings. With six candela settings in a single device, Eluxa features one of the industry's lowest current draws across the full candela range. Compared to other options, the Eluxa outdoor product line reduces overall power consumption, allowing for more appliances on each circuit (NAC) and fewer power supplies, resulting in significant material and system cost savings.





Complete and compliant portfolio

Eluxa outdoor devices, certified as UL/ULC, ensure seamless integration with all fire alarm control panels and accessories. These devices are compatible with Wheelock RSS strobe-based products and Exceder LED3. Eluxa's backward compatibility means it can be used alongside one of the largest installed bases in the country. Additionally, Eluxa meets the 20-millisecond light pulse duration requirements specified by NFPA 72 2016, allowing for mixing Wheelock legacy xenon devices within the same field of view.

Compliance and approvals

- Certified to NEMA type 3R | 4X
- IP54 | IP66 Certified | Tested to IP67
- NFPA 72 2016 (Meets maximum light pulse duration of 20 ms)
- IEC 60529 2nd edition + amendment 3- August 2013
- FCC Part 15B / ICES-003- Class A
- UL 50 13th edition- October 2020
- UL 50E 3rd edition- October 2020
- UL464 11th edition: CAN/ULC 525 5th edition- May 2023
- UL1480 7th edition: CAN/ULC 541 5th edition- May 2023
- UL1638 6th edition: CAN/ULC 526 5th edition- April 2023
- California State Fire Marshal (CSFM) - Pending
- Factory Mutual (FM) - Pending
- ADA/NFPA/ANSI/OSHA



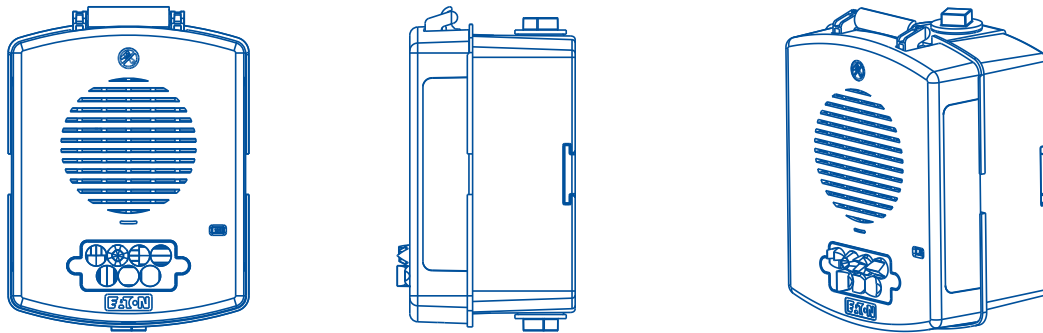
Straightforward installation

The device comes complete with the appropriate 4X backbox, or 3R mounting plate, and switch presets so that installation is fast. With six candela settings in a single device and a pre-wire, pre-test function, the device can be installed in minutes, saving time and money.

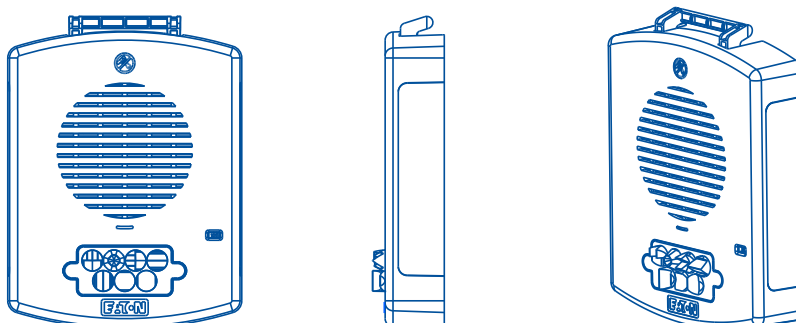
One device = wall or ceiling mount

- Backbox or mounting plate included with all models. Convenient capture hinge allows installers to easily hold the device while fastening it in place.
- Mounting options are type 3R flush (Suitable for mounting to brick, ceramic tile, concrete and masonry.) and type 4X surface.
- Pre-wire/pre-test capability to check for wiring and ground faults prior to appliance installation.
- Finger slide switches--No tools needed for setting changes.
- IN/OUT screw terminals using #12 to #18 AWG wires
- Lettering plates suitable for wall or ceiling installation. This can be done by simply turning the plate over for the proper test and alignment.

Eluxa outdoor 4X



Eluxa outdoor 3R



Suitable Applications

Outdoor

- Parking garages
- Outdoor pools
- Building exteriors
- Stadiums
- Parks/recreation
- Outdoor industrial settings
- Public transportation hubs
- Outdoor events

Indoor

- Food processing
- Parking garages
- Chemical processing plants
- Natatoriums
- Laboratories and clean rooms
- Pharmaceutical manufacturing areas
- Indoor shipyards
- Cold storage facilities



Eluxa Outdoor 3R/4X Product Offering:

Eluxa outdoor horn, horn strobe & strobe



Eluxa outdoor horns, horn strobes & strobes are feature-rich with six candela settings and three horn patterns. Continuous T3 and T3/T4 are in a single device, which not only reduces customers' inventory but also is an industry first by combining both fire alarm and carbon monoxide (CO) over the same two wires.

Robust design

- Sleek, modern aesthetics with no visible mounting screws
- Both wall and ceiling mount

Devices available with:

Clear, amber, blue, red and green lens

6 Field selectable candela settings (clear and amber lens models)

- Clear (public mode): 15, 30, 75, 110, 150, 185 cd
- Amber (emergency use): 15, 30, 75, 95, 150, 177 cd
- Other colors for private mode (red, green and blue on axis only)

Special lettering plates available.

Eluxa outdoor speaker and speaker strobe



Clear, concise and intelligible voice messages that communicate how people should respond in an emergency are critical for life safety. At Eaton, we understand that you need a solution that not only meets your customer's intelligibility and reliability requirements but also provides overall system cost savings.

Robust design

- Sleek, modern aesthetics with no visible mounting screws
- Both wall and ceiling mount

7 Field selectable taps and sound output

- 1/8 watt up to 8 watts (70V)
- 25 or 70 VRMS operation
- Sound level: 76-94 dBA, depending on setting

Strobe synchronization components

- Meets synchronizing standards with - Wheelock's DSM SyncModules, PS Power Supplies, Intelligent Notification Controller or SAFEPATH products.
- Ability to mix xenon and LED strobes in the same field of view.

Speaker Strobe only:

Amber lens is available

Special lettering plates available.

Eluxa outdoor multi-tone and multi-tone strobe



Eluxa Multi-Tone requires two circuits (NACs): one for the Eluxa LED strobe and the other for the Multi-Tone audible. In this way, the Eluxa Multi-Tone can be "coded" without affecting the strobe. In addition, Eluxa Multi-Tone offers a choice of eight different tones to select from. This includes a temporal T3 tone that can be synchronized.

Field selectable settings

- Clear (public mode): 15, 30, 75, 110, 150, 185 cd
- Amber (emergency use): 15, 30, 75, 95, 150, 177 cd
- Other colors for private mode (red, green and blue on axis only)
- Eight commonly used alarm tones in one device.
- Field set sound output to provide either HIGH (HI) dBA or STANDARD (STD) dBA sound output level
- Compatible with coded system

Strobe synchronization components

- Meet synchronizing standards with - Wheelock's DSM SyncModules, PS Power Supplies, Intelligent Notification Controller or SAFEPATH products.
- Ability to mix xenon and LED strobes in the same field of view.

Eluxa outdoor quick reference guide

Rating*	Product	Color	Model Number
3R IP54	Horn	Red	EL3RHN-NR
		White	EL3RHN-NW
3R IP54	Strobe	Red	EL3RST-FR
		White	EL3RST-FW
3R IP54	Horn Strobe	Red	EL3RHS-FR
		White	EL3RHS-FW
3R IP54	Speaker	Red	EL3RSPK-NR
		White	EL3RSPK-NW
3R IP54	Speaker Strobe	Red	EL3RSPST-FR
		White	EL3RSPST-FW
3R IP54	Multitone	Red	EL3RMT-NR
		White	EL3RMT-NW
3R IP54	Multitone Strobe	Red	EL3RMTST-FR
		White	EL3RMTST-FW

Mounting plate included.

Rating*	Product	Color	Model Number
4X IP66	Horn	Red	EL4XHN-NR
		White	EL4XHN-NW
4X IP66	Strobe	Red	EL4XST-FR
		White	EL4XST-FW
4X IP66	Horn Strobe	Red	EL4XHS-FR
		White	EL4XHS-FW
4X IP66	Speaker	Red	EL4XSPK-NR
		White	EL4XSPK-NW
4X IP66	Speaker Strobe	Red	EL4XSPST-FR
		White	EL4XSPST-FW
4X IP66	Multitone	Red	EL4XMT-NR
		White	EL4XMT-NW
4X IP66	Multitone Strobe	Red	EL4XMTST-FR
		White	EL4XMTST-FW

Surface backbox included

Eluxa outdoor accessories: Lettering plates

For added convenience, the lettering plates are suitable for wall or ceiling installation. This can be done by simply turning the plate over for the proper text and alignment. Pack of 10 pairs (1 pair per device).

Eluxa Letter Plate Model Number	Description
ELLP-FR	Red, Fire
ELLP-FW	White, Fire
ELLP-NR	Red, No lettering
ELLP-NW	White, No lettering
ELLP-AR	Red, Agent
ELLP-AW	White, Agent
ELLP-ALR	Red, Alert
ELLP-ALW	White, Alert

Eluxa Letter Plate Model Number	Description
ELLP-COR	Red, Carbon Dioxide
ELLP-COW	White, Carbon Dioxide
ELLP-EVR	Red, Evacuate
ELLP-EVW	White, Evacuate
ELLP-MR	Red, Emergency
ELLP-MW	White, Emergency
ELLP-FFR	Red, Fire/FEU
ELLP-FFW	White Fired/FEU

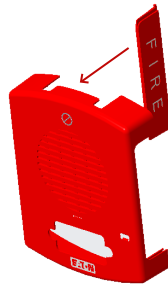
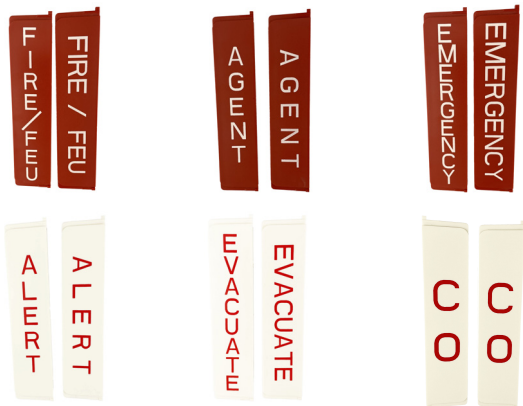


Table 1. Lowest current draw across full candela range

		UL/ULC Max Current					
		24VDC					
Horn Strobe	Regulated Voltage Range VDC	15	30	75	95/110	150	177/185
High EL3RHS/EL4XHS	16.0-33.0	0.063	0.083	0.105	0.127	0.193	0.230
Low EL3RHS/EL4XHS	16.0-33.0	0.045	0.066	0.085	0.107	0.175	0.215
Speaker Strobe		15	30	75	110	150	185
EL3RSPST	16.0-33.0	0.026	0.038	0.070	0.097	0.179	0.206
EL4XSPST	16.0-33.0	0.026	0.038	0.070	0.097	0.179	0.206
Strobe (Clear)		15	30	75	110	150	185
EL3RST	16.0-33.0	0.026	0.038	0.070	0.097	0.179	0.206
EL4XST	16.0-33.0	0.026	0.038	0.070	0.097	0.179	0.206
Strobe (Amber)		15	30	75	95	150	177
EL3RSTA	16.0-33.0	0.026	0.038	0.070	0.097	0.179	0.206
EL4XSTA	16.0-33.0	0.026	0.038	0.070	0.097	0.179	0.206
Strobe (Blue)		15	30	75	95	135	150
EL3RSTB	16.0-33.0	0.026	0.038	0.070	0.097	0.179	0.206
EL4XSTB	16.0-33.0	0.026	0.038	0.070	0.097	0.179	0.206
Strobe (Green)		15	30	60	75	115	125
EL3RSTG	16.0-33.0	0.026	0.038	0.070	0.097	0.179	0.206
EL4XSTG	16.0-33.0	0.026	0.038	0.070	0.097	0.179	0.206
Strobe (Red)		10	20	40	50	75	80
EL3RSTR	16.0-33.0	0.026	0.038	0.070	0.097	0.179	0.206
EL4XSTR	16.0-33.0	0.026	0.038	0.070	0.097	0.179	0.206
Multitone Strobe (Clear)		15	30	75	110	150	185
EL3RMST	16.0-33.0	0.026	0.038	0.070	0.097	0.179	0.206
EL4XMST	16.0-33.0	0.026	0.038	0.070	0.097	0.179	0.206
Multitone Strobe (Amber)		15	30	75	95	150	177
EL3RMTSTA	16.0-33.0	0.026	0.038	0.070	0.097	0.179	0.206
EL4XMTSTA	16.0-33.0	0.026	0.038	0.070	0.097	0.179	0.206
Multitone Strobe (Blue)		15	30	75	95	135	150
EL3RMTSTB-NW	16.0-33.0	0.026	0.038	0.070	0.097	0.179	0.206
EL4XMTSTB - NW	16.0-33.0	0.026	0.038	0.070	0.097	0.179	0.206
Multitone Strobe (Green)		15	30	60	75	115	125
EL3RMTSTG-NW	16.0-33.0	0.026	0.038	0.070	0.097	0.179	0.206
EL4XMTSTG-NW	16.0-33.0	0.026	0.038	0.070	0.097	0.179	0.206
Multitone Strobe (Red)		10	20	40	50	75	80
EL3RMTSTR-NW	16.0-33.0	0.026	0.038	0.070	0.097	0.179	0.206
EL4XMTSTR-NW	16.0-33.0	0.026	0.038	0.070	0.097	0.179	0.206

Table 2. Eluxa 3R/4X Multi-Tone - Current and Sound Pressure Level Ratings

Tone	Volume	Maximum RMS Current (AMPS)		Reverberant dBA at 10ft Per UL464/ULC-525
		24VDC		
Horn	HI	0.108	0.087	88
	STD	0.044	0.045	83
Bell	HI	0.053	0.067	81
	STD	0.024	0.028	75
March Time	HI	0.104	0.087	88
	STD	0.087	0.045	83
Code 3 Horn	HI	0.122	0.087	88
	STD	0.035	0.045	83
Code 3 Tone	HI	0.135	0.110	81
	STD	0.035	0.032	76
Slow Whoop	HI	0.098	0.092	87
	STD	0.037	0.042	81
Siren	HI	0.104	0.092	87
	STD	0.042	0.040	81
HI/LO	HI	0.057	0.063	84
	STD	0.035	0.035	79

Table 3. Eluxa 3R/4X Horn current ratings (AMPS)

	Horn Setting	Regulated 12V (8-17.5V)	Regulated 24V (16-33V)
(High) EL3RHN/EL4XHN	CONT, T3, T3/T4	0.054	0.052
(Low) EL3RHN/EL4XHN	CONT, T3, T3/T4	0.034	0.038



Eaton
1000 Eaton Boulevard
Cleveland, OH 44122
United States
Eaton.com

Life safety & mass notification solutions
273 Branchport Ave.
Long Branch, NJ 07740
Eaton.com/Lifesafetynotification

Eaton is a registered trademark.

All other trademarks are property
of their respective owners.

Follow us on social media to get the latest product and
support information

