



► Model PMA and PMAMT

Panel Mount Electronic Sounder

Model PMA offers a single continuous tone, while model PMAMT allows for two different levels of alarm (continuous or intermittent) controllable via independent electric contacts.

These models offer a self-extinguishing PC body that protects against vibrations, dust and atmospheric elements. They can be panel mounted through a 1.18"/30 mm hole and secured with the provided locking ring.

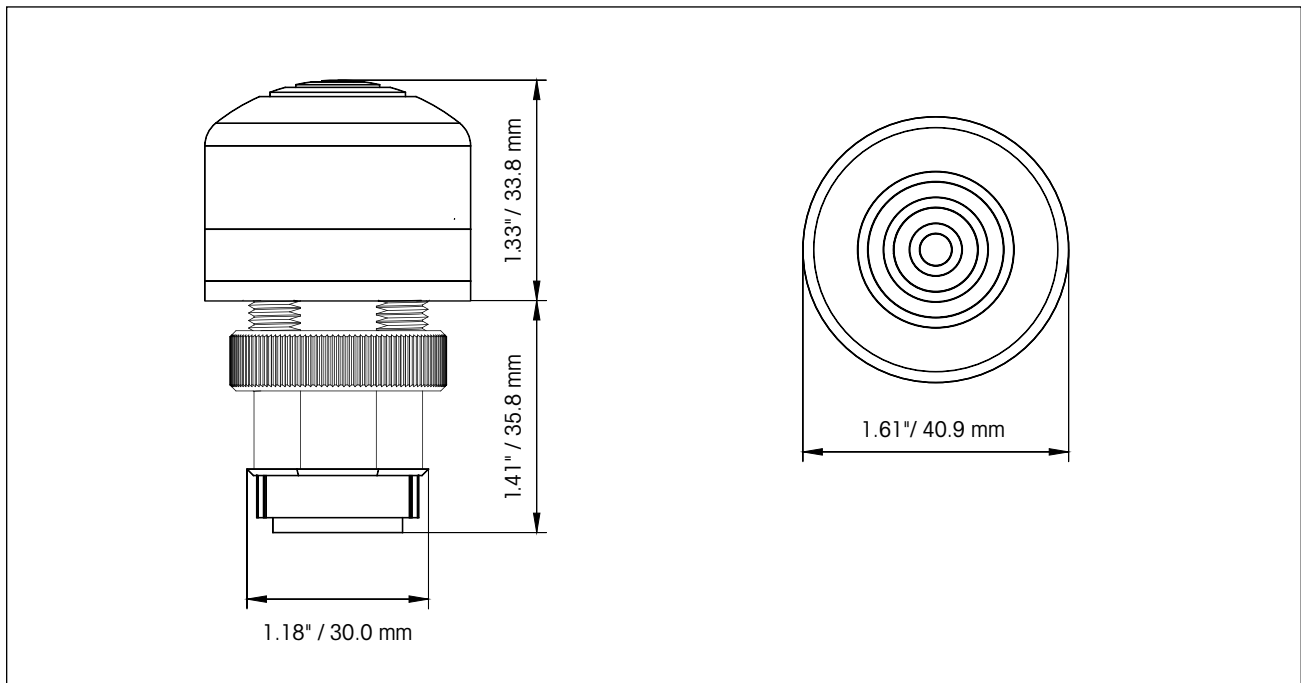
FEATURES

- PMA models are available in 12-24VAC/DC or 90-240VAC
- PMAMT models are available in 12-24VAC/DC or 48-240VAC
- Available in continuous (PMA) or multi-tone (PMAMT)
- Model PMAMT provides an intermittent and continuous tone for two levels of alarm
- Type 3R, IP65 enclosure
- CE and UKCA compliant
- UL and cUL listed

MODEL	VOLTAGE	DECIBELS MAXIMUM	
		10'	1 M
PMA-012-024	12-24VAC/DC	60	70
PMA-048-240	90-240VAC	60	70
PMAMT-012-024	12-24VAC/DC	75	85
PMAMT-048-240	48-240VAC	75	85

MODEL	MAXIMUM OPERATING CURRENT (mA)						
	12 VDC	24 VDC	12 VAC	24 VAC	48 VAC	90VAC	240 VAC
PMA	10	10	20	25	NA	10	20
PMAMT	10	15	50	60	20	NA	15

Panel Mount Electronic Sounder (PMA and PMAMT)



SPECIFICATIONS

Operating Temperature:	-22°F to 140°F	-30°C to 60°C
Net Weight:	1.44 oz	0.04 kg
Width:	1.61"	40.9 mm
Height:	1.33"	33.8 mm

HOW TO ORDER

