

Features

- LED Technology for Energy Efficiency:
 - Industry’s lowest current draw, ensuring energy efficiency.
 - Requires fewer power supplies and smaller wire gauge, reducing wire runs.
- 6 field-selectable settings for both wall and ceiling models.
 - Wall: 15 cd - 185 cd / Ceiling: 15 cd - 177 cd
- 3 horn patterns (Continuous, T3, T3/T4) for fire and CO signaling in one device.
- Strobe synchronization with Potter fire alarm control panels and power supplies. Ability to mix xenon and LED strobes in the same field of view.



Description

The Potter PE Series feature advanced LED technology with a range of low and high candela settings for indoor wall and ceiling-mount applications. Crafted with a low-profile design, these devices seamlessly complement building interiors. Rich in features, the devices offer 6 candela settings and 3 horn patterns within a single unit. Installation is simplified with pre-wire/pre-test capabilities via a hinged mounting plate. Wall models follow a single-gang design, allowing tool-free setting changes. The PE Series is designed for 24V operations. The PE-HN can also be used in 12V applications.

High Efficiency, LED Technology

The PE series of LED strobes utilize LED technology and optical design to improve efficiency and reduce overall power consumption. Strobe models offer six candela settings (15, 30, 75, 1010, 135, 185 cd for wall models and 15, 30, 75, 110, 150, 177 cd for ceiling models).

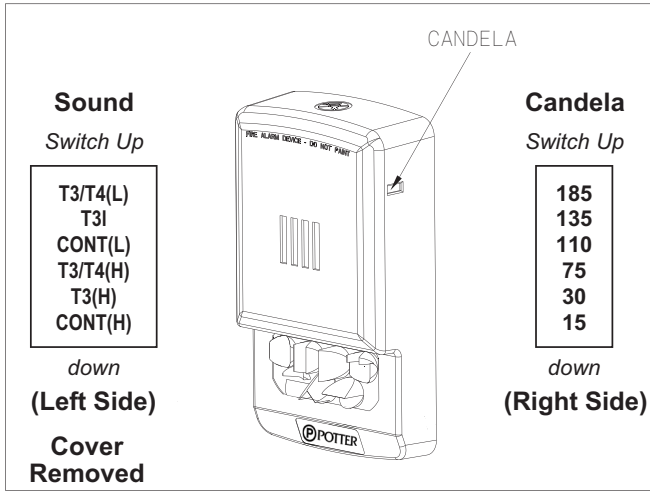
Product Listing:

- UL Listed
- FM Approved
- CSFM

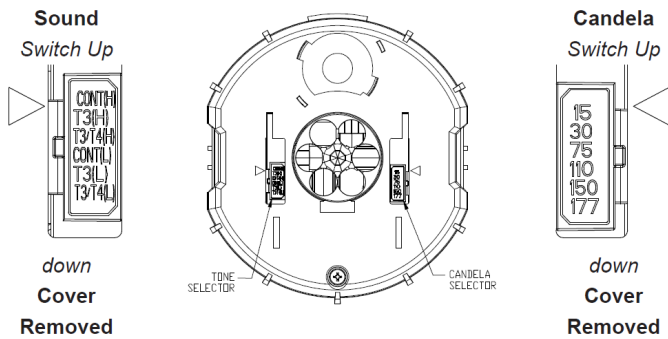
Technical Specifications

Mounting Options (Indoor Only)	Mounting plate included with all models. Wall-Mount Applications: <ul style="list-style-type: none"> • PE-HS and PE-ST are suitable for wall-mount applications only. • Wall mounting options include single-gang, PE-SBB backboxes, or to 4” square with an adapter kit. • PE-HN can be used for both wall and ceiling-mount applications. Ceiling-Mount Applications: <ul style="list-style-type: none"> • PE-HSC and PE-STC are designed for ceiling-mount applications only. • Ceiling mounting options include PE-SPKBB-C backboxes or to 4” square, 1 1/2” or 2 1/8” and Octagonal, 1 1/2” or 2 1/8” deep.
Wire Gauge	# 12 through # 18 AWG
Operating Temp	32°F to 122°F (0°C to 50°C) maximum humidity 93%
Dimensions	Wall: 4.79”H x 2.76”W x 1.18”D Trimplate: 5.25”H x 4.58”W x 0.32”D Ceiling: 6.27” Diameter x 1.69”D
Operating Voltage	12 VDC/VFWR: 8 - 17.5 VDC/VFWR 24 VDC/VFWR: 16 - 33 VDC/VFWR (12 VDC PE-HN/PE-HNC only)
Strobe Output Rating	UL 1971, UL 1638, ULC S526. Selectable candela outputs for wall models (15, 30, 75, 110, 135, 185) and ceiling models (15, 30, 75, 110, 150, 177).
Synchronization Models	Strobes can be synchronized with Potter fire alarm control panels and power supplies using Wheelock® sync protocol.

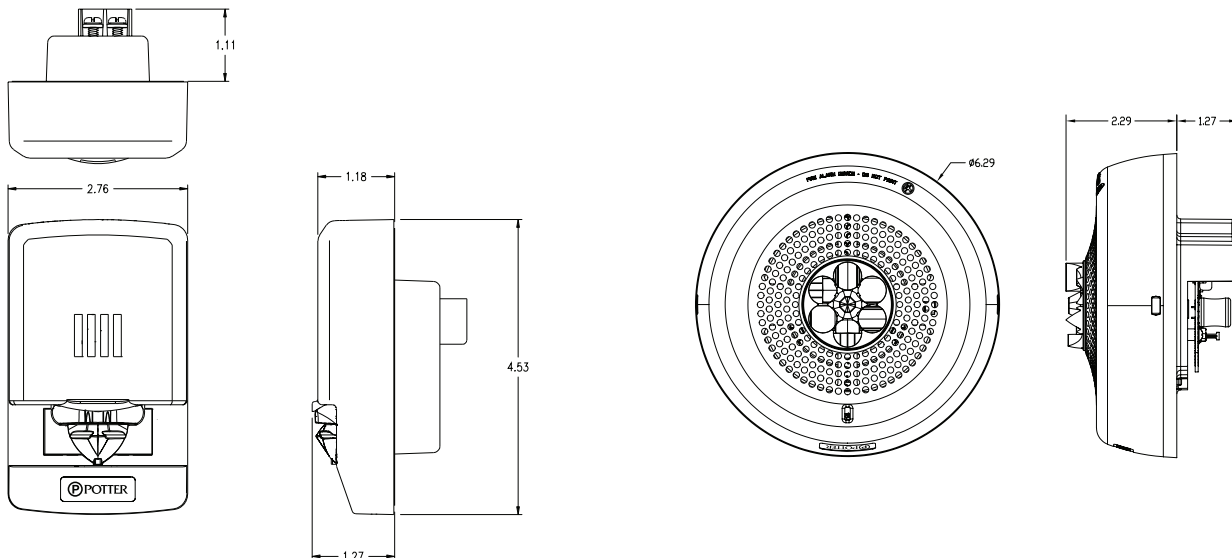
PE-HS and PE-ST Switch Locations



PE-HSC and PE-STC Switch Locations



Dimensions



Regulated Voltage Range VDC

Model Number	Regulated Voltage Range VDC	High dB	Low dB
PE-HN	8.0 - 17.5	0.025	0.020
PE-HN	16.0 - 33.0	0.028	0.021

PE-STR & PE-HS Strobe Current Ratings

24 VDC (16 - 33 Volts)								
Model Number	15 cd	30 cd	75 cd	110 cd	135 cd	150 cd	177 cd	185 cd
PE-ST	0.022	0.030	0.060	0.086	0.125			0.185
PE-STC	0.022	0.030	0.060	0.086		0.125	0.185	
At Anechoic High Continuous								
PE-HS	0.037	0.046	0.077	0.109	0.146			0.208
PE-HSC	0.037	0.046	0.077	0.109		0.146	0.208	
At Anechoic Low Continuous								
PE-HS	0.030	0.039	0.070	0.102	0.139			0.201
PE-HSC	0.030	0.039	0.070	0.102		0.139	0.201	

PE-HN & PE-HS Horn Ratings

PE-HN & PE-HS dBA Sound Output			
Description	Reverberant dBA Per UL 464		
	Volume	PE-HN @ 12V	PE-HN, PE-HS @ 24V
Continuous Horn	High	80	80
	Low	78	78

Notes:

When the application requires T4; field devices must be set to T3/T4 Horn setting and in the Potter Programming Software the corresponding circuit be set to Wheelock T4

Specification & Ordering Information

Model Number	Part Number	Mounting	Strobe Candela	Red	White	Lettering
Horn Strobes						
PE-HSR	4871006	Wall	15, 30, 75, 110, 135, 185	X		Fire
PE-HSW	4871007	Wall	15, 30, 75, 110, 135, 185		X	Fire
PE-HSRC	4871008	Ceiling	15, 30, 75, 110, 150, 177	X		Fire
PE-HSWC	4871009	Ceiling	15, 30, 75, 110, 150, 177		X	Fire
Strobes						
PE-STR	4871002	Wall	15, 30, 75, 110, 135, 185	X		Fire
PE-STW	4871003	Wall	15, 30, 75, 110, 135, 185		X	Fire
PE-STRC	4871004	Ceiling	15, 30, 75, 110, 150, 177	X		Fire
PE-STWC	4871005	Ceiling	15, 30, 75, 110, 150, 177		X	Fire
Horns						
PE-HNR	4871000	Wall		X		No Lettering
PE-HNW	4871001	Wall			X	No Lettering

Accessories					
Model Number	Part Number	Description	Mounting	Red	White
PE-SBB-R	4871022	PE Series Backbox	Wall	X	
PE-SBB-W	4871023	PE Series Backbox	Wall		X
PE-SPKBB-CR	4871026	PE Series Backbox	Ceiling	X	
PE-SPKBB-CW	4871027	PE Series Backbox	Ceiling		X

Architect & Engineering Specifications

The notification appliances shall be Potter PE-HS audible visual strobe appliances, PE-ST visual strobe appliances and PE-HN audible appliances for wall and ceiling-mount applications with a low-profile design or approved equals. The PE-HS and PE-ST strobes shall be listed for UL Standard 1971 (Emergency Devices for the Hearing-Impaired) for Indoor Fire Protection Service and UL 1638 (Visible Signaling Devices). The PE-HS and PE-HN Audibles shall be UL Listed under Standard 464 (Fire Protective Signaling). All models shall meet the requirements of FCC Part 15 and ICES-003. All inputs shall be compatible with standard reverse polarity supervision of circuit wiring by a Fire Alarm Control Panel (FACP) with the ability to operate from 16 to 33 VDC/VFWR.

The PE-HS audible strobe and PE-ST strobe appliances shall produce a flash rate of one (1) flash per second over the Regulated Voltage Range and shall incorporate a Light Emitting Diode (LED) as the light source with a rugged Lexan® lens. The appliances shall be of low current design. The LED strobe flash duration shall be 20 ms. Where Multi-Candela appliances are specified, the strobe intensity shall have 6 field selectable settings at 15, 30, 75, 110, 135 and 185 candela for wall mount applications and 15, 30, 75, 110, 150 and 177 for ceiling applications. The selector switch for selecting the candela shall be tamper resistant. Appliances with candela settings shall show the candela selection in a visible location at all times when installed.

The audible shall have a choice of three (3) horn patterns (high & low output): Continuous, T3, and T3/T4 for fire (T3) and CO (T4) signaling.

The PE-HS audible strobe, PE-ST strobe, and PE-HN audible shall include a hinged mounting plate. Mounting options shall include PE-SBB backboxes, single-gang backbox and to 4" square with adapter kit for wall-mount models and PE-SPKBB backboxes, 4" square, 1 1/2" or 2 1/8" deep and 4" Octagonal, 1 1/2" or 2 1/8" deep for ceiling models. Two wire appliance wiring shall be capable of directly connecting to the mounting base. Removal of an appliance shall result in a supervision fault condition by the Fire Alarm Control Panel (FACP). All notification appliances shall be backwards compatible.

The PE-HS, PE-HN, and PE-ST wall models shall have a low profile measuring 4.79"H x 2.76"W x 1.18"D. The PE-HSC and PE-STC ceiling models shall have a low profile measuring 6.27" Diameter with 1.69"D.

When synchronization is required, the appliance shall be compatible with Potter fire alarm control panels and power supplies with built-in Wheelock® sync protocol. The strobes shall not drift out of synchronization at any time during operation. If the sync protocol fails to operate, the strobe shall revert to a non-synchronized flash-rate and still maintain (1) flash per second over its Regulated Voltage Range.