



# **MZ-HD34-3 Installation Guide**

**READ THIS FIRST**

©2020, Industrial Video & Control Co. The Industrial Video & Control Co. logo is a registered trademark of Industrial Video & Control Co. All other company names and products are trademarks or registered trademarks of their respective companies. All information provided is subject to change without notice.

# 1

## Check Receipt of All Components

### 1.1 Component List

Before you proceed, be sure you have received all of the components listed below:

- Stainless steel bullet camera with mount.
- Torx wrench.
- Mounting hardware.



### 1.2 Additional Installation Requirements

The following items are required to properly complete installation:

- Phillips head screwdriver.
- Straight-through Ethernet cable with RJ-45 connectors.
- A Windows™ computer running IVC Camera Management Software. (Windows 10 preferred).

# 2

## Set Up and Bench Test Camera

### 2.1 Remove Packaging and Inspect Camera

Inspect the camera for any signs of damage. Keep in mind the enclosure lens is constructed of soft acrylic for optimal optical characteristics. It can be scratched easily. Use only a damp soft cloth or vigorous water spray to clean.

If any damage occurred during shipping please call our support line (617-467-3059) for assistance.

### 2.2 Connect Camera Cable

The MZ-HD34-3 may be powered through the network cable. To power the camera via PoE, connect a straight through Ethernet cable to the camera and to an IEEE 802.3af compliant port of a network switch or POE injector.



Once connected and powered, you should see link activity on the switch or POE injector to which the camera is connected.

Waterproof  
RJ45 Cable  
Gland

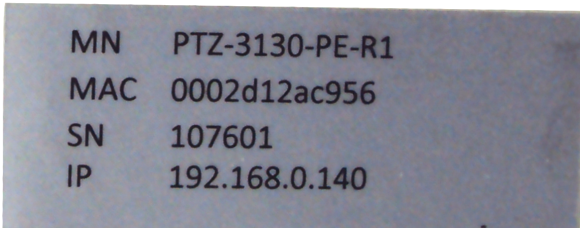


- Rotate the cable gland to open and expose the camera's RJ45 Network Port.



## 2.3 Set Camera IP Address

For your convenience, the camera's default IP is printed on the information label attached to the camera box.



Example camera information label

The camera's IP address has been set on a 192.168.0.x/ class network. For this section, the computer you are using for bench testing must be set to the same subnet as the camera (e.g. 192.168.0.###). Consult your network administrator if you need assistance.

Once you have located the IP address please follow the instructions below to set it to a permanent address:

1. Using a web browser enter the IP Address in the address bar, install the required ActiveX control if prompted by the browser and check that you are able to see live video.
2. When prompted by your browser, enter the camera username (factory default = **admin**) and password (factory default = **123456**).



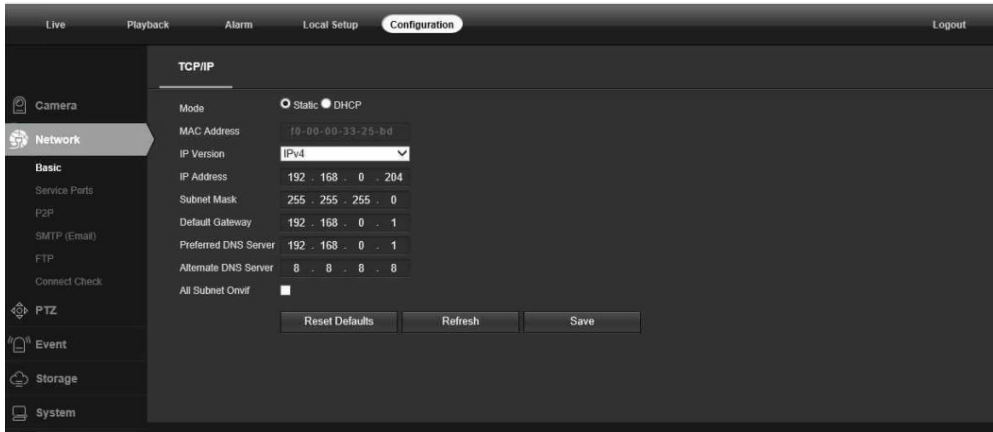
3. To change the IP address click the **Configuration** button on the menu.



4. Click on **Network** in the menu on the resulting page. In the expanded menu, click on **Basic**.



5. On the resulting page, enter the new IP address, Subnet Mask, and Default Gateway. Click the **Save** button when satisfied with the camera's network settings.



6. Enter the new IP address in the address bar of your browser and observe live video on the **Live** page.



# 3

## Configuring IVC VMS Software

This chapter covers the settings for your IVC software that are unique to this camera. For more details on IVC software configuration and operation, consult the documentation provided with the software.

### 3.1 Relay Server Settings

To configure the MZ-HD34-3 in the Relay Server:

1. Enter the IP address of the Relay Server into your browser.
2. Login to the Relay Server when prompted for credentials. The user logging in must have sufficient rights to configure Relay Server.
3. Click on the Management link.
4. Click on the Cameras tab.
5. In the Basic menu, click Camera.
6. Click the Camera drop down menu and select an available ID number. Type a name for this camera in the corresponding text field.
7. Click the Enable camera check box.
8. In the Encoder drop down menu, select I-H1.
9. In the IP address text fields type the camera's IP address and Port number.
10. Enter the camera's username and password into the Username and password text fields.
11. Configure all other fields as shown below.

## Camera Setup

### Camera

Camera: (Required) 1) test ▼ test

### State

Active:  Enable camera

### Encoder Type

Encoder: (Required) I-H1 ▼

Pan/Tilt: Select pan/tilt code ▼ Camera: Select camera code ▼

### Camera

IP address: (Required) IP Address Port: 80 Channel: 1

Username and password: admin 123456

Image type: H.264 ▼ Stream ID: 1  Stream setup

Image resolution: Standard ▼ Image quality: Normal ▼

Frame rate: 10.00 fps NOTE: A value of zero will result in maximum camera frame rate

Control COM: 1 Device ID: 1

Camera orientation:  Flip orientation

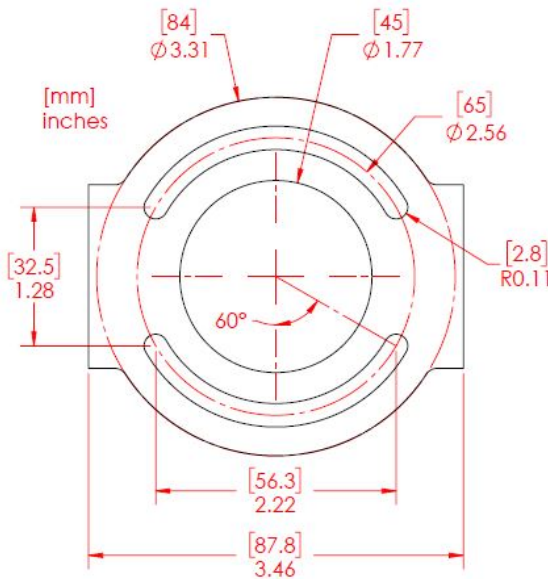
# 4

## Install Camera

The sections of this chapter describe the steps necessary to install the camera at its operational location.

### 4.1 Mount the Camera

It is important to mount the camera to a stable surface or pole. Use the hardware provided to secure the camera mount bracket to a stable surface. Once installed, position the camera by loosening the positioning screws with a Phillips screwdriver and move the camera to the desired angle. Tighten the positioning screws.



inches (mm)

**NOTE:** If the camera is to be attached to a round pole 3” to 15” in diameter, we suggest a IVC Pole Mount Kit. A Pole Mount Kit requires a steel band installation. A banding tool is required but not included. It is available from McMaster Carr (1-732-329-3200) and is listed as “Standard Banding Tool” Item No: “PN 5424K3.



# 6

## Support Information

If you experience any problems please call us (617-467-3059) or email [support@ivcco.com](mailto:support@ivcco.com).

Please note that no equipment (in-warranty or out-of-warranty) should be sent back to IVC without an Return Material Authorization (RMA). Contact IVC support or your IVC sales representative for an RMA.

**CAUTION:** All installations must insure the camera assembly is mounted securely to ensure that it cannot become dislodged during high wind, accidental bumping or other such incidents. All wiring must comply with NEC, NFPA, and local codes.

**NOTE:** IVC is not liable for direct or consequential damages resulting from use of this product and IVC makes no guarantees regarding results of intended and unintended use of the product.

