



# AMZ-HD41-3 Installation Guide

**READ THIS FIRST**

IG-026  
REV 1.4

## Revision History

Rev 1.4	7-22-2022	Updated Specifications and main office address
---------	-----------	--

©2020, Industrial Video & Control Co. The Industrial Video & Control Co. logo is a registered trademark of Industrial Video & Control Co. All other company names and products are trademarks or registered trademarks of their respective companies. All information provided is subject to change without notice.

# 1

## Check Receipt of All Components

### 1.1 Component List

Before you proceed, be sure you have received all of the components listed below:

- Fixed 2 megapixel camera in enclosure



- Wall mount arm

AMZ-HD41-3

- L hex key



- Bench test kit

If ordered, you may have also received:

- a) Any special mounting equipment (e.g. IVC Pole Mount Kit)

**NOTE:** Only one bench test kit is enclosed per order, it may be in a separate box

**NOTE:** Special mounting equipment may be in a separate box and may

require additional materials for installation. (Consult the specific kit for more information)

**NOTE:** The AMZ-HD41-3 is available with an aluminum or stainless steel enclosure (as pictured above). The installation procedure is identical for both models.

## 1.2 Additional Installation Requirements

The following items are required to properly complete installation:

- 5/32" hex driver
- Small flathead screwdriver
- Straight-through Ethernet cable with RJ-45 connectors
- Tools for Special Mounting Kit (e.g. IVC Pole Mount Kit). (See kit for details)

# 2

## Set Up and Bench Test Camera

### 2.1 Remove Packaging and Inspect Camera

Inspect the camera for any signs of damage. Keep in mind the enclosure lens is constructed of soft acrylic for optimal optical characteristics. It can be scratched easily. Use only a damp soft cloth or vigorous water spray to clean.

If any damage occurred during shipping please call our support line (617-467-3059) for assistance.

### 2.2 Connect Ethernet Cables

The camera provides two 3/4" NPT cable openings on each side of the enclosure to which cable glands or conduit fittings can be attached. Feed your CAT5/6 cable through the appropriate opening and connect as illustrated below.

1. Loosen the camera housing cover set screw with the L hex wrench provided.



2. Grasp enclosure cover firmly and turn counterclockwise to remove.  
**NOTE:** The threads on the enclosure base and cover have had lubricant applied to them at the factory. Take care as to not get this on the enclosure lens.



3. A short CAT5 pigtail is connected to the camera's RJ-45 connector. Connect a CAT5 cable from your PC, switch, or other network appliance to the RJ-45 coupler attached to the other end of this pigtail.



4. When power is supplied the camera, the switch port to which the camera is connected should show link activity.

## 2.3 Connect Power

The AMZ-HD41-3 is offered with several power options. To connect power for the camera you purchased, select the appropriate option below.

### ***PoE***

No additional wiring is required. Terminate the CAT5 cable connected to the camera to an IEEE 802.3af compliant PoE injector, switch port, or midspan to provide power to the camera.



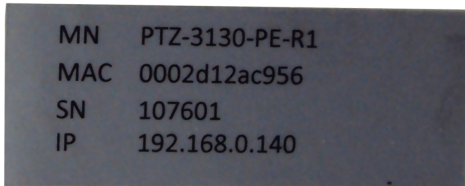
**12 VDC or 24 VDC**

Feed the 12 VDC or 24 VDC power cable through the enclosure cable opening and connect as illustrated below. To connect power wiring, lift orange level corresponding to an open terminal on the connector, insert the wire, and close the orange lever.



## 2.4 Set Camera IP Address

For your convenience, the camera's default IP is printed on the information label attached to the camera and its shipping container.



Example camera information label

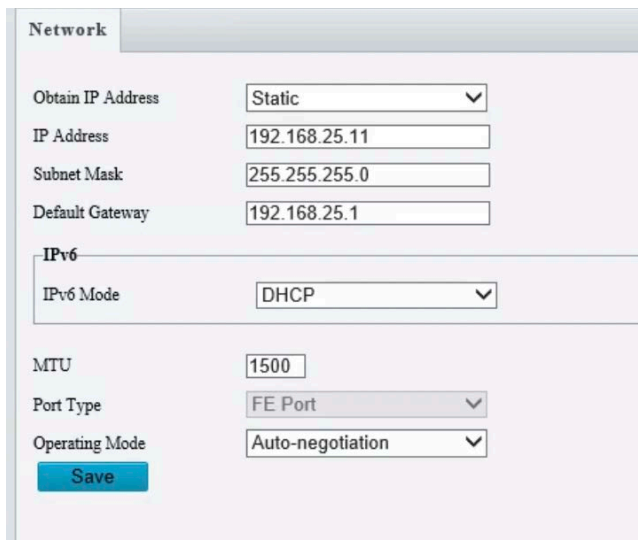
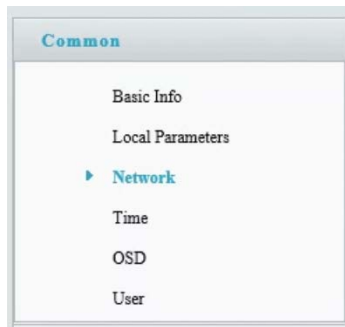
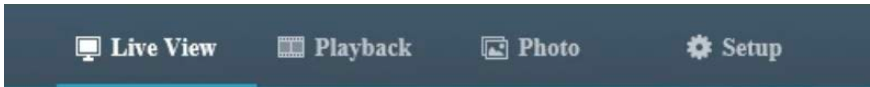
The camera's IP address has been set on a 192.168.0.x/ class network. For this section, the computer you are using for bench testing must be set to the same subnet as the camera (e.g. 192.168.0.###). Consult your network administrator if you need assistance.

Once you have located the IP address please follow the instructions below to set it to a permanent address:

1. Using a web browser enter the IP Address in the address bar, install the required ActiveX control if prompted by the browser and check that you are able to see live video.
2. The default credentials are: user: **admin** password: **123456**. When prompted by your browser, enter the camera's user and password **IVC setup default: admin/admin1234#**
3. **The default IP address is 192.168.1.13/24. The Parameters after QC IP: 192.168.0.x/24**
4. To change the IP address click on the **Setup** button and then click **on Network**. Please see the field options to include settings.
5. Under the Network section, enter the IP address the camera you wish to assign to this camera. Click the Save button when finished defining the network settings for this camera.

## Setup Camera IP:

- Click on **Setup**.
- Find **Network**. Setup IP configuration and **Save**.



**Network**

Obtain IP Address:

IP Address:

Subnet Mask:

Default Gateway:

**IPv6**

IPv6 Mode:

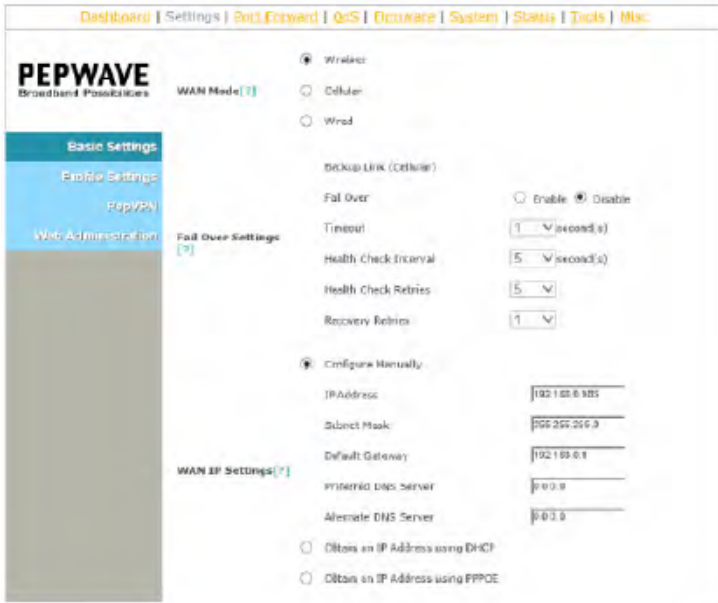
MTU:

Port Type:

Operating Mode:

## 2.5 Wireless Client Setup

The wireless client radio has a default IP of 192.168.20.1 on its wired interface. This IP must be accessed by using the wired Ethernet connection on the radio. Using a web browser, type in this IP address to access the web configuration pages. This wireless client has been setup as follows:



# 3

## Install Camera

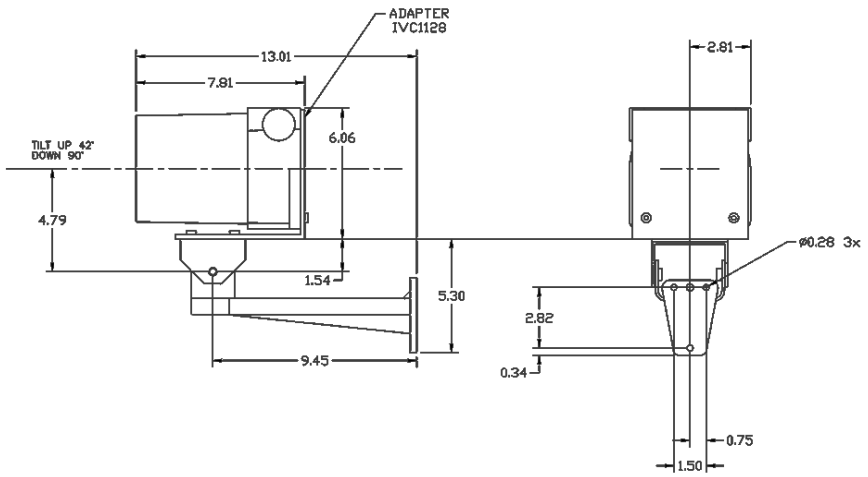
The sections of this chapter describe the steps necessary to install the camera at its operational location.

**CAUTION:** All installations must insure the camera assembly is mounted securely to ensure that it cannot become dislodged during high wind, accidental bumping or other such incidents. All wiring must comply with NEC, NFPA, and local codes.

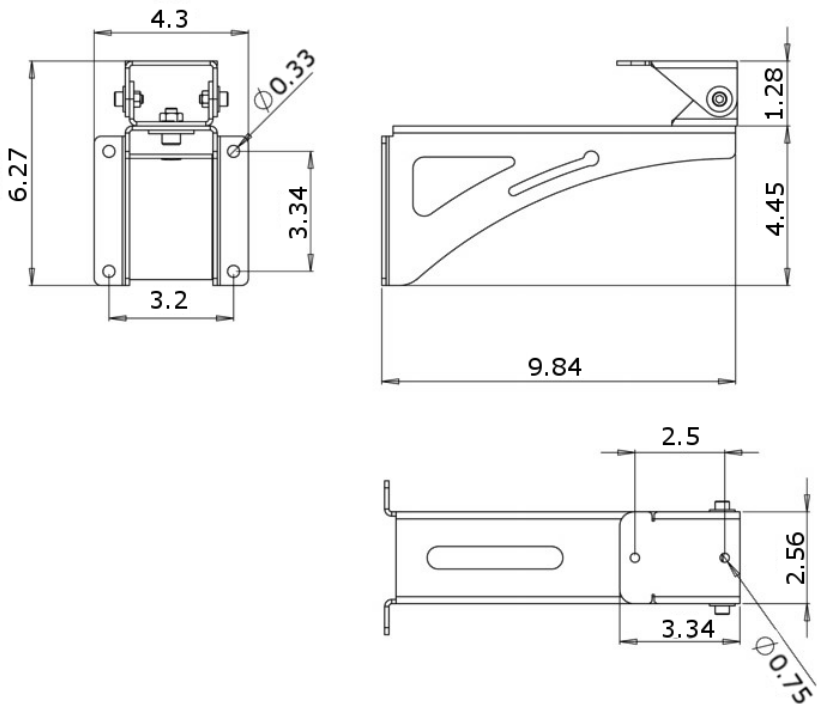
**NOTE:** IVC is not liable for direct or consequential damages resulting from use of this product and IVC makes no guarantees regarding results of intended and unintended use of the product. If this product is used in a manner not specified by IVC, the protection provided by the product may be impaired.

### 3.1 Mount the Camera

It is important to mount the camera and its control box to a solid, stable surface or pole. If the camera is to be bolted to a flat horizontal surface, refer to the appropriate drill pattern below (all dimensions in inches).

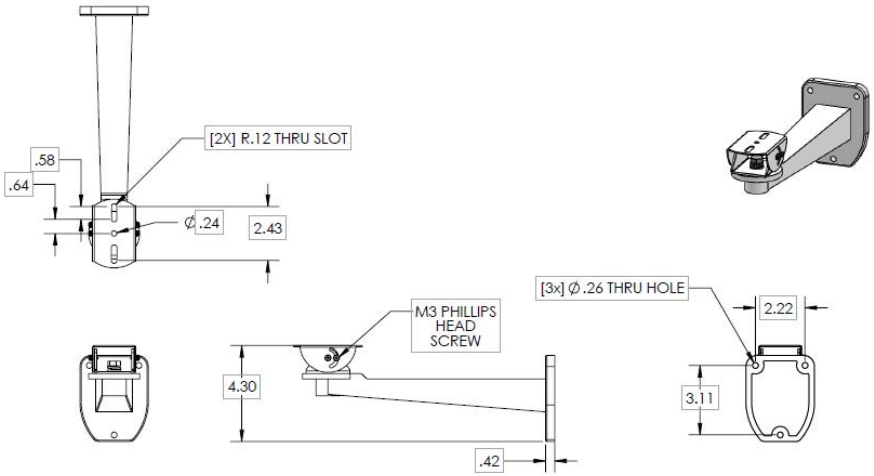


**AMZ-HD41-3-x-A mount arm footprint**



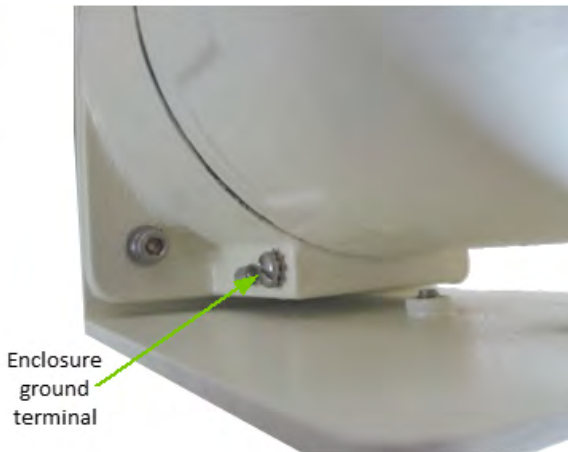
**AMZ-HD41-3-x-S mount arm dimensions**

The enclosure includes two ports for cable access. These will accommodate a 3/4 inch cable gland or NPT conduit fittings.



**AMZ-HD41-3 mount arm footprint (option 2)**

Be sure to ground the chassis by attaching ground cable to the ground terminal as indicated below.



**NOTE:** If the camera is to be attached to a round pole 3" to 15" in diameter, we suggest the IVC Pole Mount Kit. The Pole Mount Kit requires a steel band installation. A banding tool is required but not included. It is available from McMaster Carr (1-732-329-3200) and is listed as "Standard Banding Tool" Item No: "PN 5424K3."

### 3.2 Camera Power

In some circumstances, IP cameras may require an occasional power interruption to reinitiate the camera software after installation. Ideally, the power for each installed camera should be routed through a permanent and conveniently accessible power switch.



# 4

## Support Information

If you experience any problems please call us (617-467-3059) or email [support@ivcco.com](mailto:support@ivcco.com).

Please note that no equipment (in-warranty or out-of-warranty) should be sent back to IVC without an Return Material Authorization (RMA). Contact IVC support or your IVC sales representative for an RMA.

**CAUTION:** All installations must insure the camera assembly is mounted securely to ensure that it cannot become dislodged during high wind, accidental bumping or other such incidents. All wiring must comply with NEC, NFPA, and local codes.

**NOTE:** IVC is not liable for direct or consequential damages resulting from use of this product and IVC makes no guarantees regarding results of intended and unintended use of the product.


# 5

## Appendix A - Camera Specifications

### ► specifications

<b>Imager</b>	1/3", 4.0MP, Progressive Scan CMOS
<b>Resolution</b>	2688 x 1520
<b>Shutter</b>	1 to 1/100,000 Seconds
<b>Minimum Illumination</b>	0 lux to 50m with illuminators
<b>WDR</b>	120dB
<b>Image Features</b>	Auto White Balance, Digital Noise Reduction, Back Light Compensation
<b>Focus</b>	Auto
<b>Zoom Ratio</b>	3x Optical Zoom
<b>View Angle</b>	30.86° - 102.79°
<b>Focal Length</b>	2.8 – 12 mm
<b>Network</b>	10/100 BASE-T (RJ-45)
<b>Frame Rate</b>	25 FPS, 30 FPS @ 1920 x 1080
<b>Compression</b>	H.265, H.264, MJPEG
<b>Protocols</b>	IPv4, IGMP, ICMP, ARP, TCP, UDP, DHCP, RTP, RTSP, RTCP, RTMP, DNS, DDNS, NTP, FTP, UPnP, HTTP, HTTPS, SMTP, SSL, QoS, 802.1x, SNMP, ONVIF
<b>Weight</b>	8.1 lbs. (Aluminum Enclosure) 10.2 lbs. (Stainless Steel Enclosure)
<b>Voltage Required</b>	(See ordering information)
<b>Power Consumption</b>	Max 8.5W
<b>Operating Temperature</b>	-30° to 60° C
<b>Storage Temperature</b>	-30° to 60° C
<b>Dimensions</b>	5.50" H x 5.50" W x 7.75" D (Aluminum) 5.50" H x 5.50" W x 8" D (Stainless Steel)
<b>Mount</b>	Wall Mount Standard
<b>Protection Class</b>	NEMA Type 4x, IP66
<b>Regulatory Approvals</b>	Conforms to UL STD 61010-1 + UL1203:2013 Ed.5+R:30Jan2020 Certified to CSA STD CSA22.2 NO.30 + CAN/CSA C22.2 No. 25 EN 60079-0:2012, EN 60079-1:2007, EN 60079-31:2009. ATEX 94/9/EC.
<b>Hazardous Area</b>	Class I Groups B, C & D, Class II Groups E, F & G, Class III Type 4x Class I Zone 1 AEx d IIC Ex d IIC IEC 60529, T6

\*Actual voltage required depends on model ordered

<b>Regulatory Approvals</b>		
<b>Safety</b>	<p>Conforms to UL STD 61010-1 + UL1203            Certified to CSA STD CSA22.2 NO.30 + CAN/            CSA C22.2 No. 25            EN 60079-0:2012, EN 60079-1:2007, EN            60079-31:2009.            ATEX 94/9/EC.</p>	
<b>Hazardous Area</b>	<p>Class I Groups B, C &amp; D,            Class II Groups E, F &amp; G,            Class III Type 4x            Class I Zone 1 AEx d IIC            Ex db IIC IEC 60529, T6</p>	





