

# PHOTOELECTRIC SMOKE ALARM

**ADI  
PRO**

0E-SMKDTCR is a 10-year photoelectric smoke detector powered by hardwired 120VAC with 9V battery backup. This single and/or multiple station alarm can be interconnected with up to 12 compatible alarms. It features early warning and a smart silence control to temporarily silence nuisance alarms. This product conforms to UL 217 9th Ed. and CAN/ULC S531. For residential applications.



## FEATURES

**Photoelectric smoke sensor provides early warning and minimizes nuisance alarms**

**10-year product life with end-of-life notification**

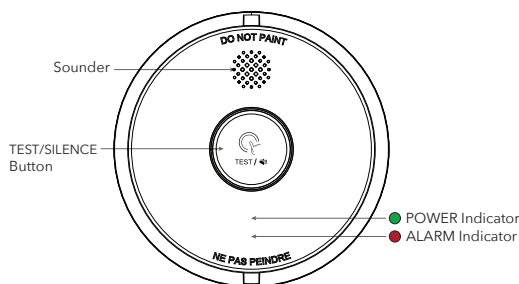
**Interconnect up to 12 compatible alarms (hardwire)**

**Easy installation with quick connect wiring harness and mounting bracket**

**Includes convenient TEST/SILENCE button to test alarm operation and silence nuisance alarms**

**5-Year Warranty**

### ALARM OVERVIEW



**AC Power:** GREEN LED constantly lit

**Smoke Alarm:** RED LED flashes 3x with simultaneous BEEP followed by a pause, repeating

**Low Battery:** RED LED flashes 1x every 40 sec. with simultaneous CHIRP

**End-of-Life:** RED LED flashes 3x every 40 sec. with simultaneous CHIRP



CONFORMS TO UL STD.  
UL217 9TH ED. CERTIFIED TO  
CAN/ULC STD. S531:2019

## Product Specifications

**PART #:** 0E-SMKDTCR  
**UPC:** 840049310353

**Smoke Sensor:** Photoelectric  
**Detection Range:** Up to 40m<sup>2</sup> within a room

**Audible Alarm:** ≥ 85dB at 10 ft. (3m)

**Power Supply:** 120VAC 60Hz, 70mA max  
**Battery Backup:** 9V battery

**Interconnection:** Up to 12 compatible alarms

**Dimensions:** Ø5.67 x 1.5 in. (Ø144 x 38mm)

**Weight (with battery):** ~.53 lbs. (~240g)

**Temp. Range:** 40°F to 100°F (4.4°C to 37.8°C)

**Humidity Range:** 10-95% RH non-condensing

For more information contact  
your ADI Sales person or visit  
[adiglobal.com/adiexclusivebrands](http://adiglobal.com/adiexclusivebrands)

# PHOTOELECTRIC SMOKE ALARM

## INSTALLATION NOTES

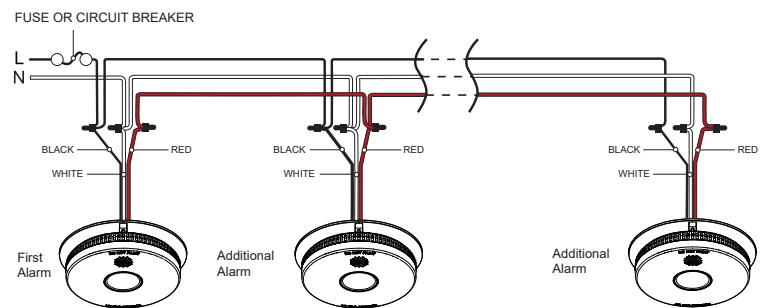
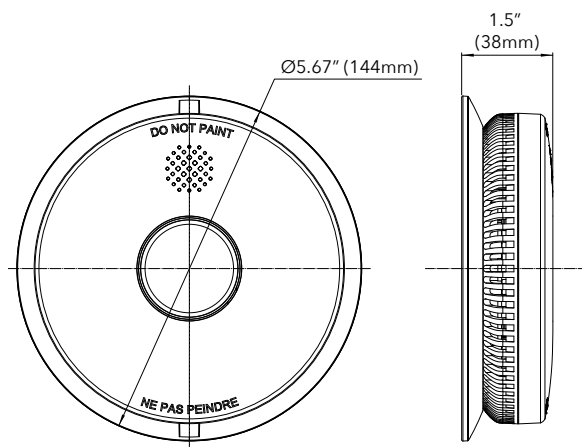
This single and/or multiple station smoke alarm must be installed in accordance with articles 210 and 300.3(B) of the US National Electrical Code (ANSI/NFPA 70, NFPA 72) and any other codes having jurisdiction in your area. The maximum wire run between the first and last unit in an interconnected system is 1,000 ft. (304m). Use standard UL listed wire (single conductor 18 AWG or larger; jacketed, multi-conductor 26 AWG or larger). The appropriate power source is 120VAC single phase supplied from a non-switchable circuit.

## ARCHITECTURAL AND ENGINEERING SPECIFICATIONS

The ADI PRO 0E-SMKDTCR photoelectric smoke alarm shall include the following features and functions:

- Photoelectric (multi-criteria optical) smoke sensor
- Audible alarm  $\geq 85$ dB at 10 ft. (3m)
- Operating temperature of 40°F to 100°F (4.4°C to 37.8°C) and relative humidity 10~95% non-condensing
- Requires 120VAC 60Hz power with battery backup of one 9V battery
- Quick connect wiring harness
- Hardwire interconnect up to 12 compatible alarms
- AC Power indicator (green LED constantly lit)
- Low-Battery, Fault and product End-of-Life warnings (red LED flashes and audible alarm sounds as specified in user manual)
- Test feature (push button weekly to test operation) and silence feature (push button for smoke alarm silence 8 min.)
- Alarm memory identifies initiating alarm (red LED flashes twice every 8 sec.)
- Conforms to UL STD 217 9th Ed. and certified to CAN/ULC Std. S531

## TECHNICAL DRAWINGS



**0E-SMKDTCR**

For more information contact  
your ADI Sales person or visit  
[adiglobal.com/adiexclusivebrands](http://adiglobal.com/adiexclusivebrands)

**ADI  
PRO**