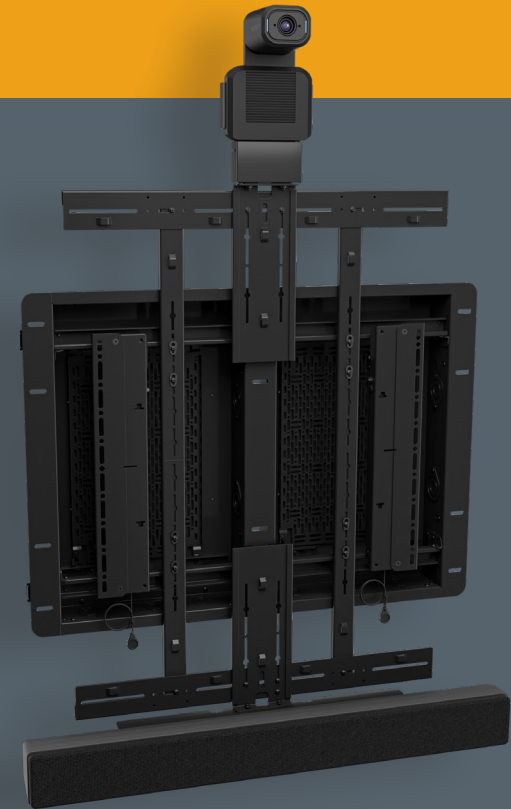




TEMPO™ FLAT PANEL IN-WALL MOUNT ACCESSORIES

Complete your AV system installations with these Installer Inspired accessories for use with Tempo™ Flat Panel In-Wall Mount Systems!

PICK UP
THE PACE
WITH TEMPO



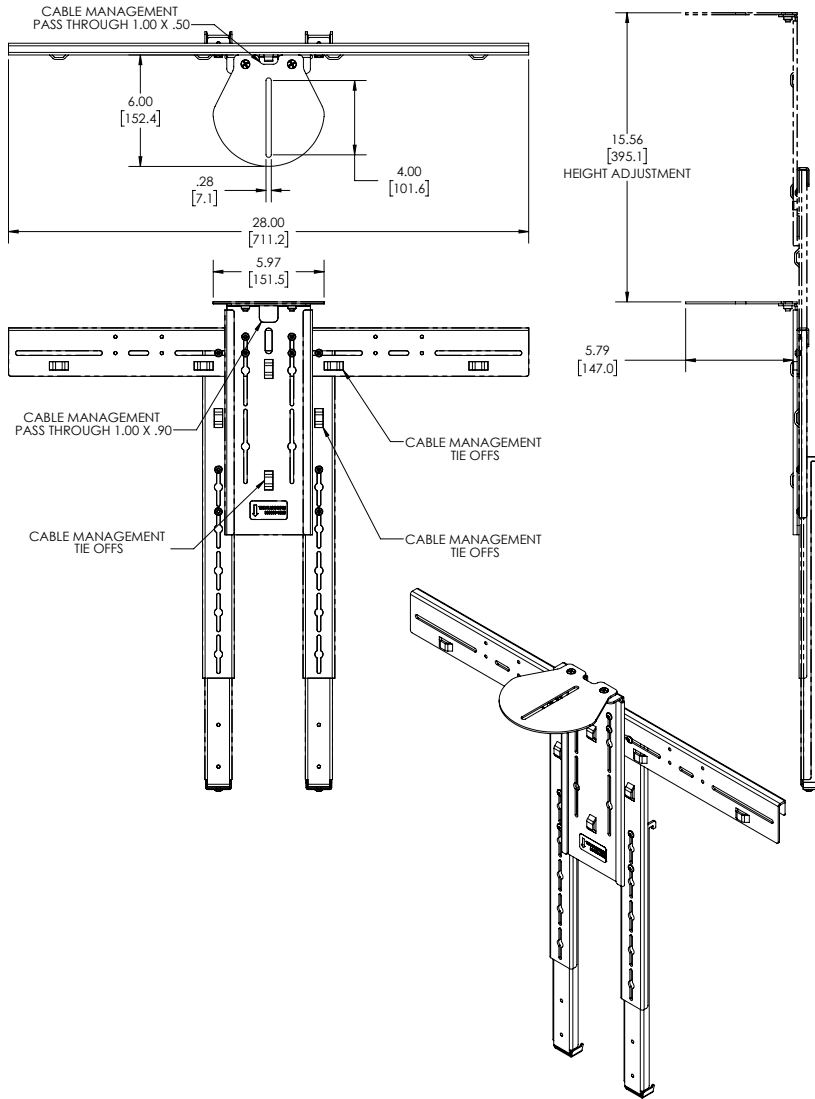
#LegrandImprovingLives

CHIEF[®]
A brand of **legrand**

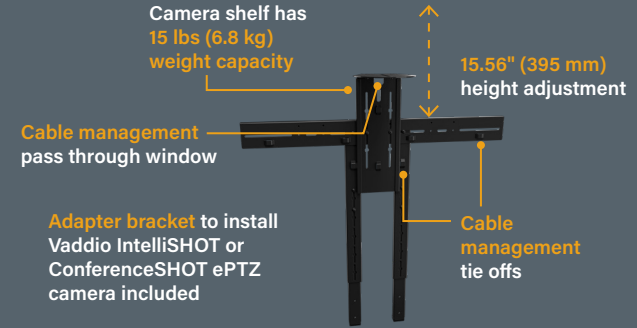
FPIWMA100

CAMERA SHELF

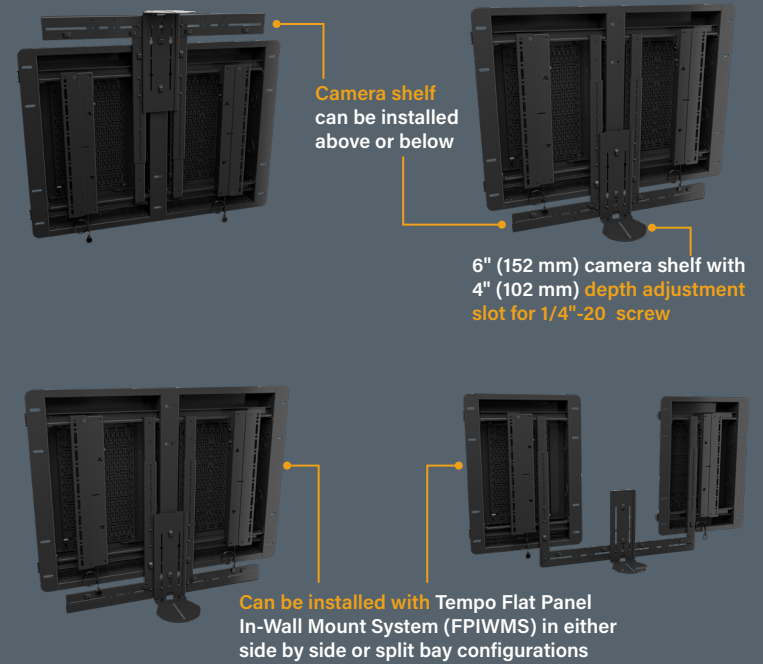
FOR TEMPO FLAT PANEL IN-WALL MOUNT SYSTEM



Glides and locks into place on the top and bottom rail



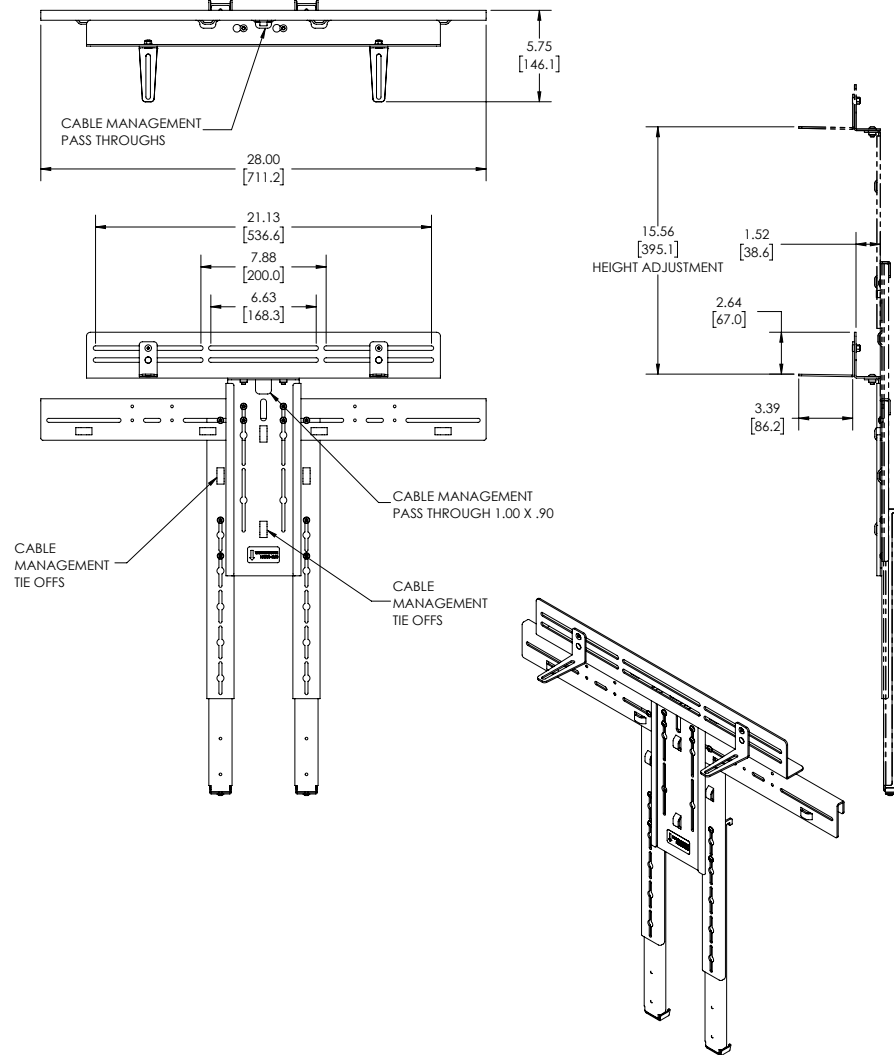
Tempo Flat Panel In-Wall Mount System (FPIWMS) shown, not included



FPIWMA101

VIDEO-SOUND BAR MOUNT

FOR TEMPO FLAT PANEL IN-WALL MOUNT SYSTEM



Glides and locks into place on the top and bottom rail

22.25" (565 mm) wide x 2.88" (73 mm) tall video bar bracket prevents peek-a-boo with most video bars

Cable management tie offs along both sides of the vertical bracket

15.56" (395 mm) height adjustment

Horizontal video bar mounting bracket has 20 lbs (9 kg) weight capacity

Video bar mounting "L" brackets have 15 lbs (6.8 kg) weight capacity

21.41" (544 mm) horizontal video bar bracket fits most rear mounting applications

Tempo Flat Panel In-Wall Mount System (FPIWMS) shown, not included



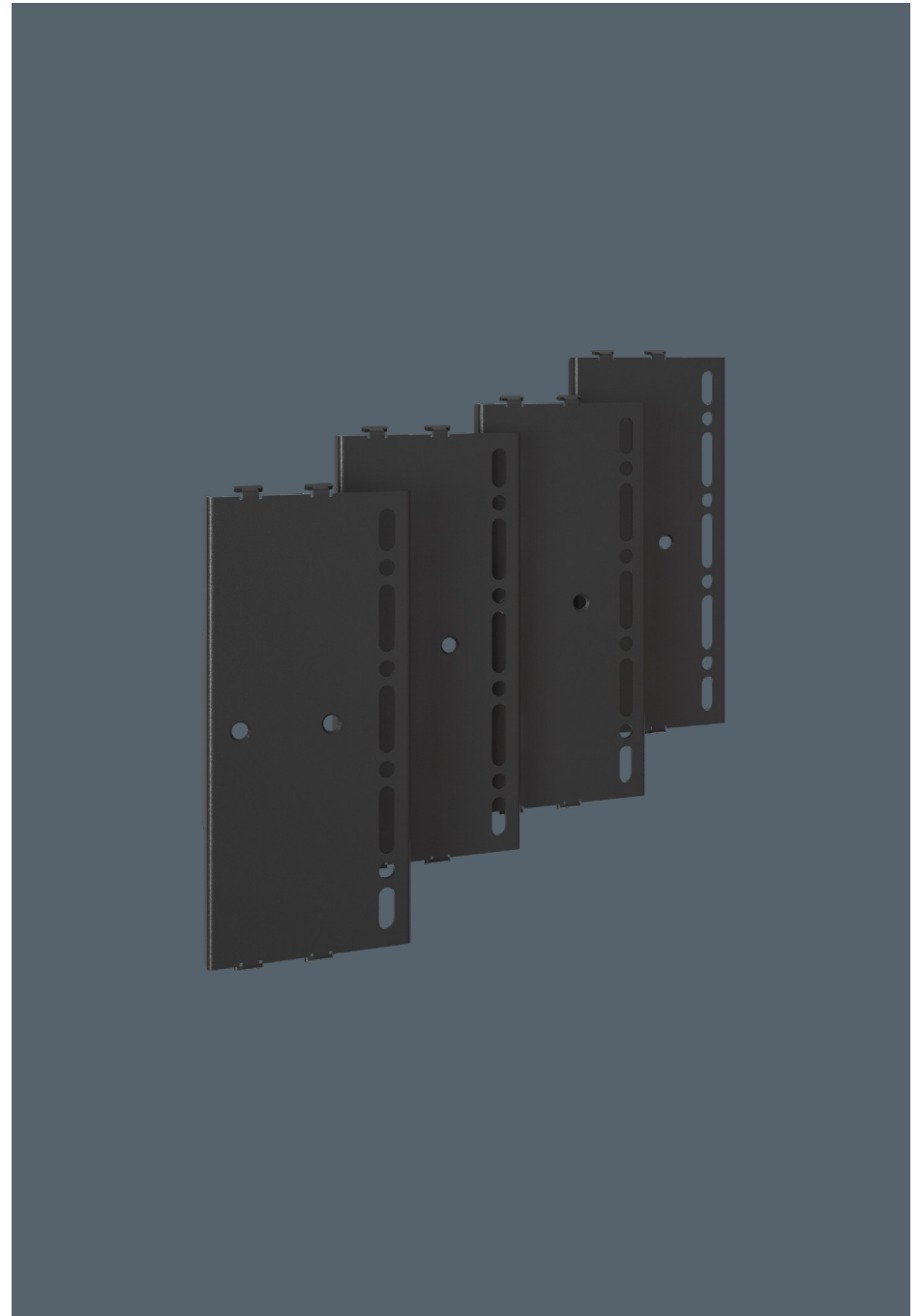
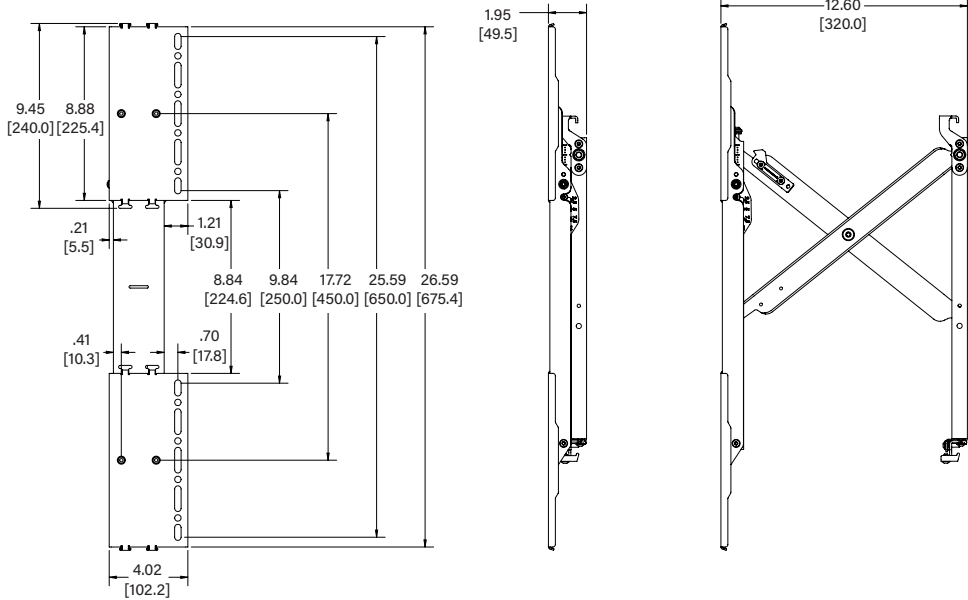
3.5" (89 mm) "L" brackets have 2.7" (69 mm) depth adjustment slot to accommodate most video bars with bottom mounting holes



FHB5174

650 MM INTERFACE EXTENDERS

FOR TEMPO FLAT PANEL IN-WALL MOUNT SYSTEM





legrandav.com/chief



youtube.com/chiefmfg



linkedin.com/company/chief-manufacturing



twitter.com/chiefmfg

USA 866.977.3901 av.chief.support@legrand.com
CANADA 877.345.4329 av.chief.canada@legrand.com
EMEA +31 495 580 840 av.emea.sales@legrand.com
APAC +852 2145 4099 av.asia.sales@legrand.com

C2G | Chief | Da-Lite | Luxul | Middle Atlantic | Vaddio | Wiremold

©2024 Legrand AV Inc. 240615 Rev A 8/24 Chief is a registered trademark of Legrand AV Inc. All other brand names or marks are used for identification purposes and are trademarks of their respective owners. All patents are protected under existing designations. Other patents pending.

CHIEF[®]
A brand of  **legrand**