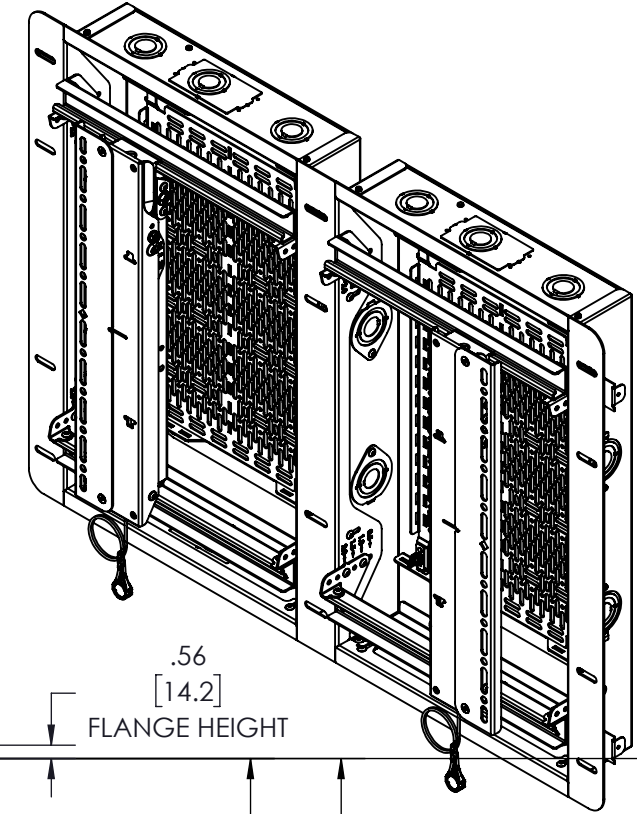
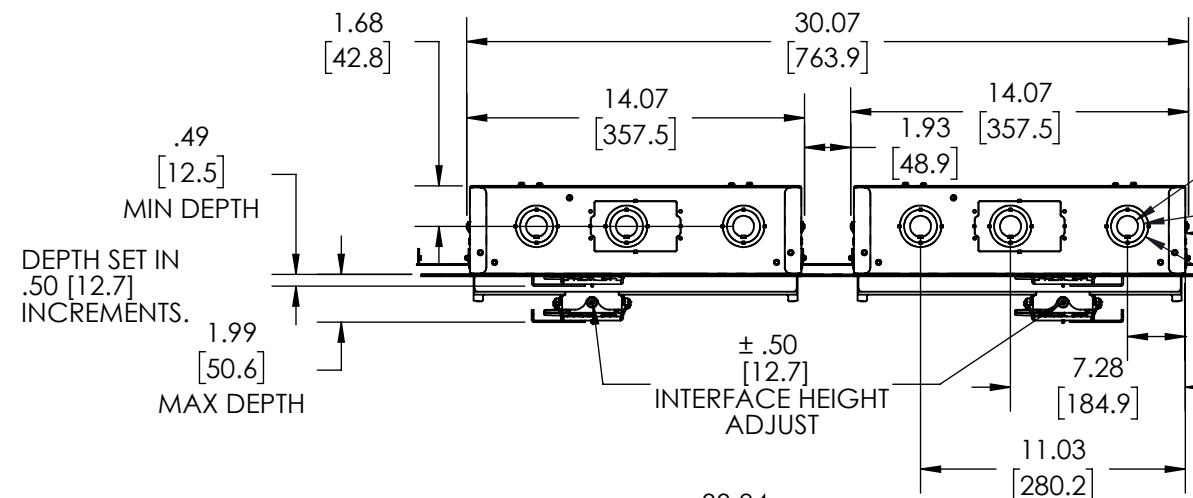


SIDE BY SIDE BOX CONFIGURATION

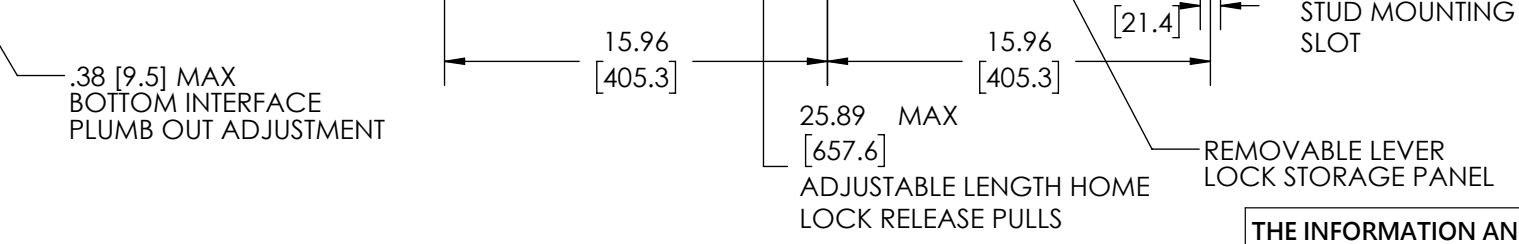
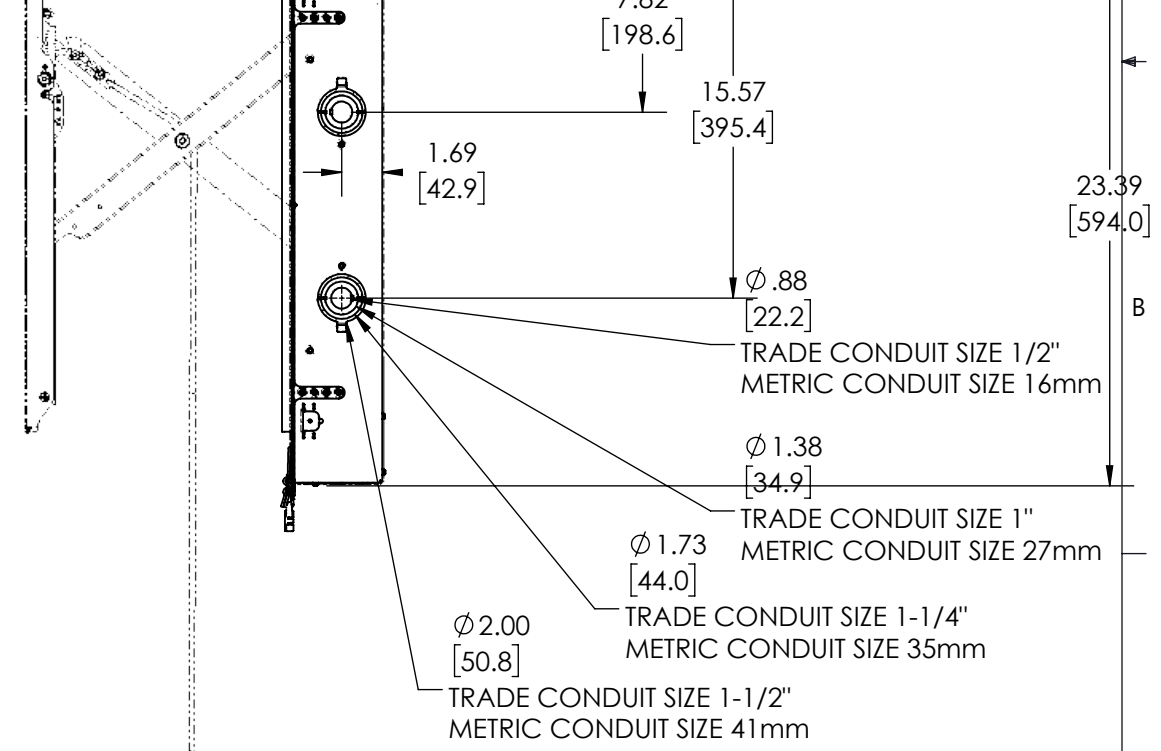
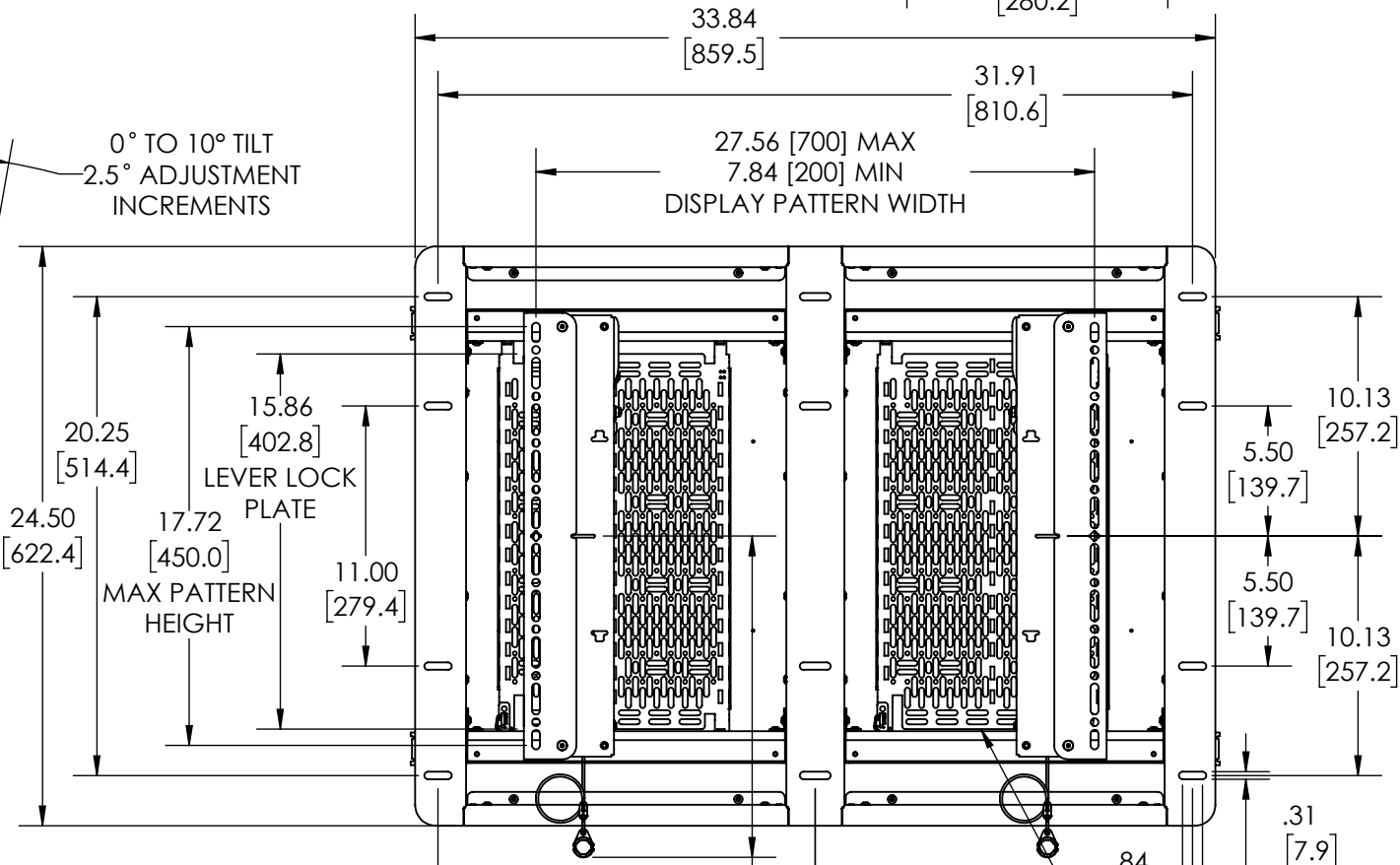
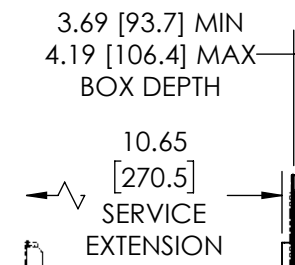
STATUS: MJS 10/23/2023 - RELEASED ON ECO: 500028065

TECH-001278

D
C
B
A



BOX FINAL DEPTH SET BY DRYWALL THICKNESS.
 3.69 [93.7] MIN
 4.19 [106.4] MAX
 BOX DEPTH



THE INFORMATION AND DESIGNS CONTAINED IN THIS DRAWING ARE CONFIDENTIAL AND THE PROPRIETARY PROPERTY OF LEGRAND | AV. NEITHER THIS DESIGN NOR ANY INFORMATION CONTAINED IN THIS DRAWING MAY BE REPRODUCED OR DISCLOSED TO OTHERS WITHOUT THE EXPRESS WRITTEN CONSENT OF LEGRAND | AV.

CAD GENERATED DRAWING, DO NOT MANUALLY UPDATE.				6436 CITY WEST PKWY EDEN PRAIRIE, MN, 55344 PHONE: 866-977-3901 FAX: 877-894-6918	
DRAWN BY	MJS	10/10/2023	DESCRIPTION		
ENG APPROVAL			TEMPO IN-WALL FLANGE-MOUNT-STORAGE KIT		
MFG APPROVAL			MODEL NO.		
QA APPROVAL			FPIWMS		
SHEET 1 OF 4		SCALE	SIZE	DWG. NO.	REV.
		1:8	B	TECH-001278	00

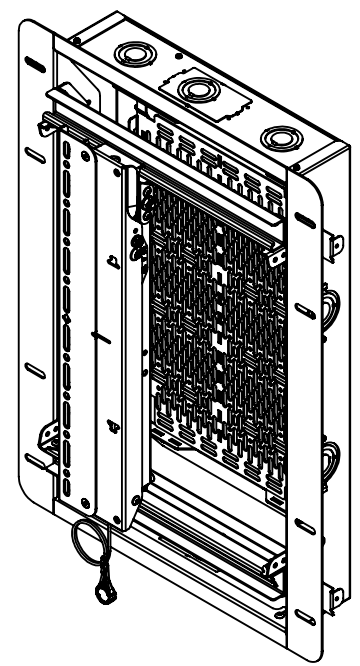
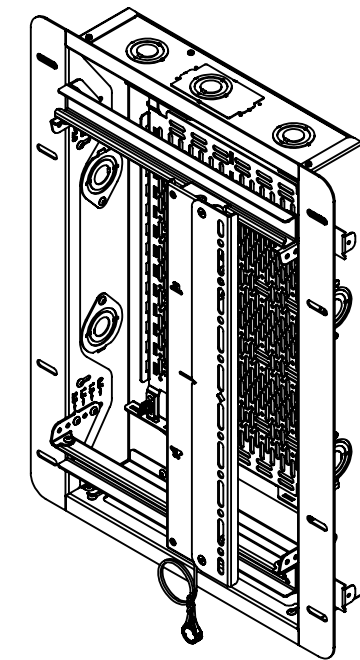
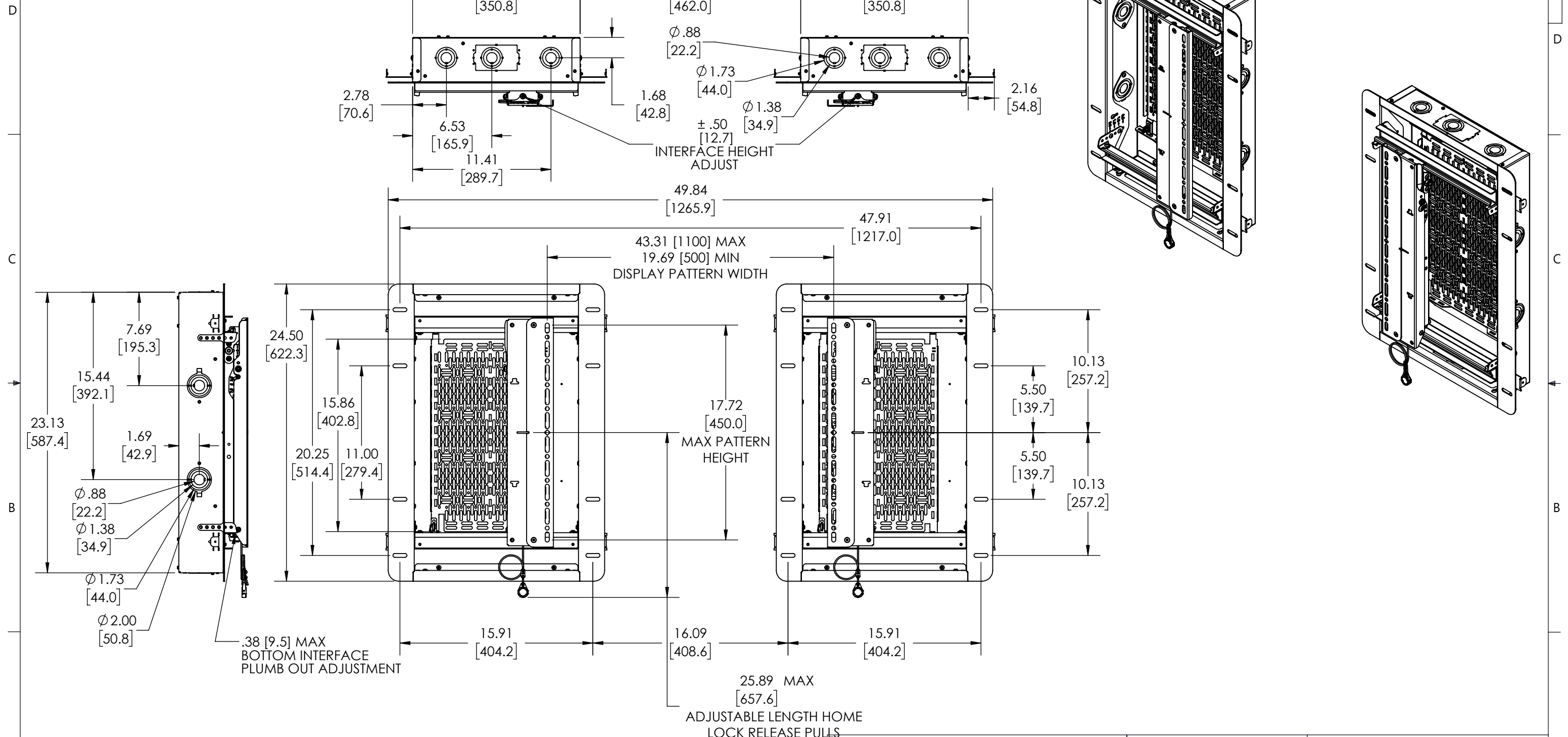
A

1 2 3 4 5 6 7 8

SPLIT BOX CONFIGURATION

STATUS: MJS 10/23/2023 - RELEASED ON ECO: 500028065

TECH-001278



THE INFORMATION AND DESIGNS CONTAINED IN THIS DRAWING ARE CONFIDENTIAL AND THE PROPRIETARY PROPERTY OF LEGRAND | AV. NEITHER THIS DESIGN NOR ANY INFORMATION CONTAINED IN THIS DRAWING MAY BE REPRODUCED OR DISCLOSED TO OTHERS WITHOUT THE EXPRESS WRITTEN CONSENT OF LEGRAND | AV.

CAD GENERATED DRAWING, DO NOT MANUALLY UPDATE.						6436 CITY WEST PKWY EDEN PRAIRIE, MN, 55344 PHONE: 866-977-3901 FAX: 877-894-6918	
DRAWN BY	MJS	10/10/2023	DESCRIPTION				
ENG APPROVAL			TEMPO IN-WALL FLANGE-MOUNT-STORAGE KIT				
MFG APPROVAL			MODEL NO.				
QA APPROVAL			FPIWMS				
SHEET 2 OF 4		SCALE	1:8	SIZE	B	DWG. NO.	TECH-001278
							REV.
							00

3.84 MIN
[97.4]
LEVER LOCK TO BACK OF DISPLAY
SEE TABLE B

1.89 MIN
[47.9]
INTERFACE TO LEVERLOCK PLATE
SEE TABLE D

3.42
[86.8]
LEVER LOCK PLATE
TO FRONT OF BOX
TABLE C

.28
[7.2]
LEVER LOCK TO
INSIDE OF BOX

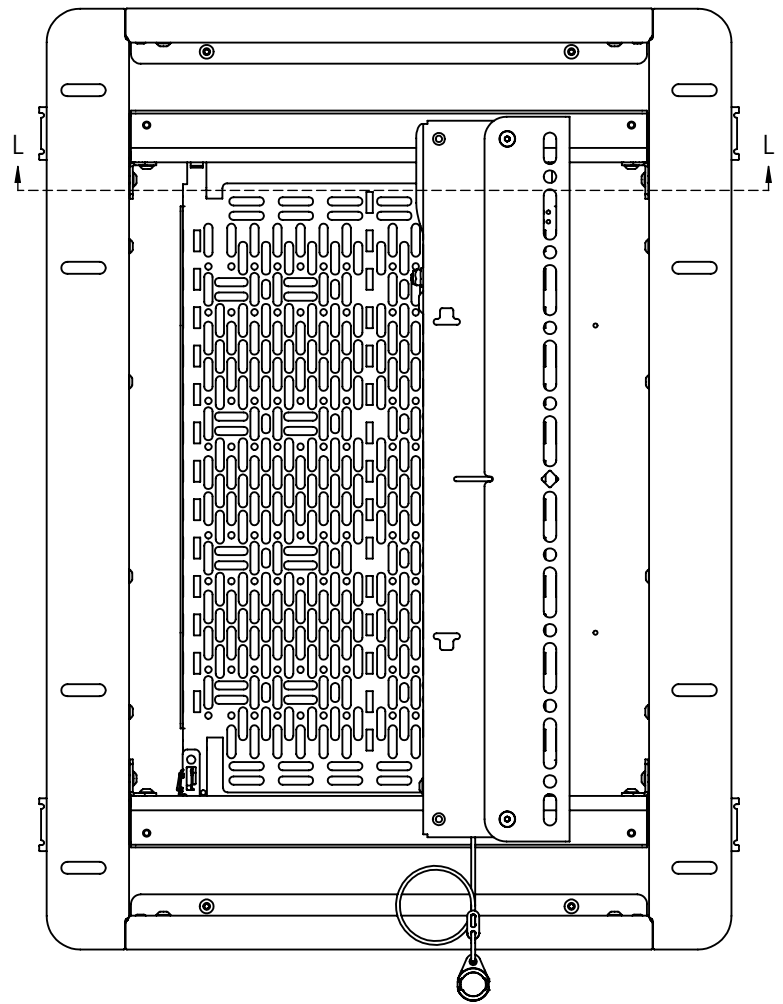
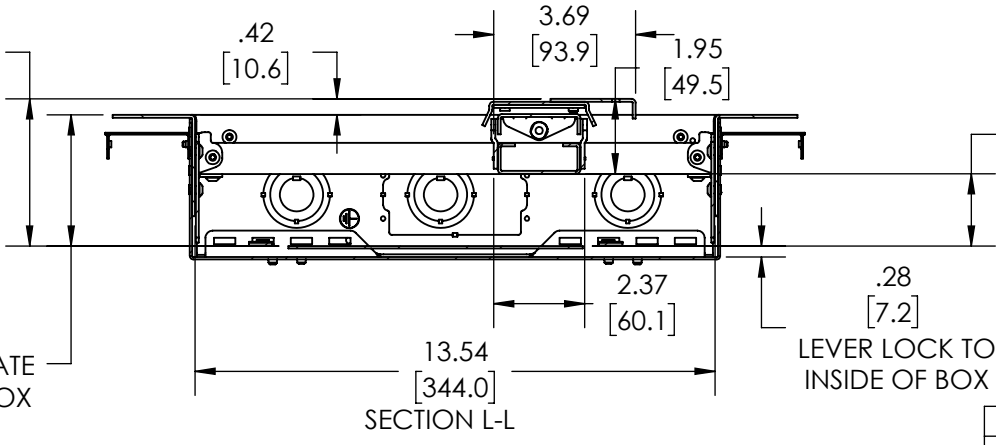
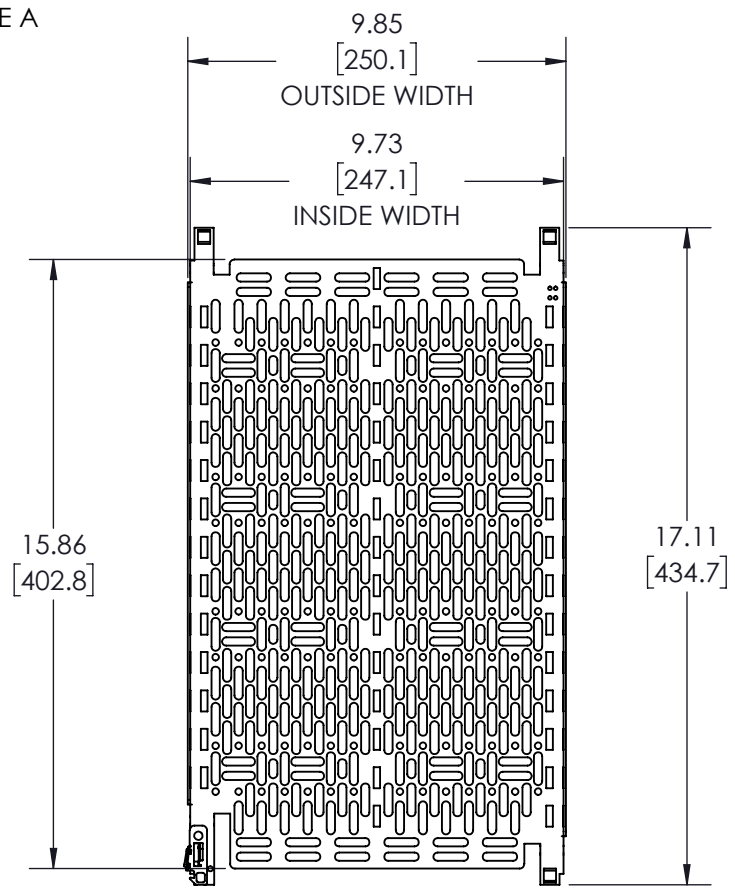
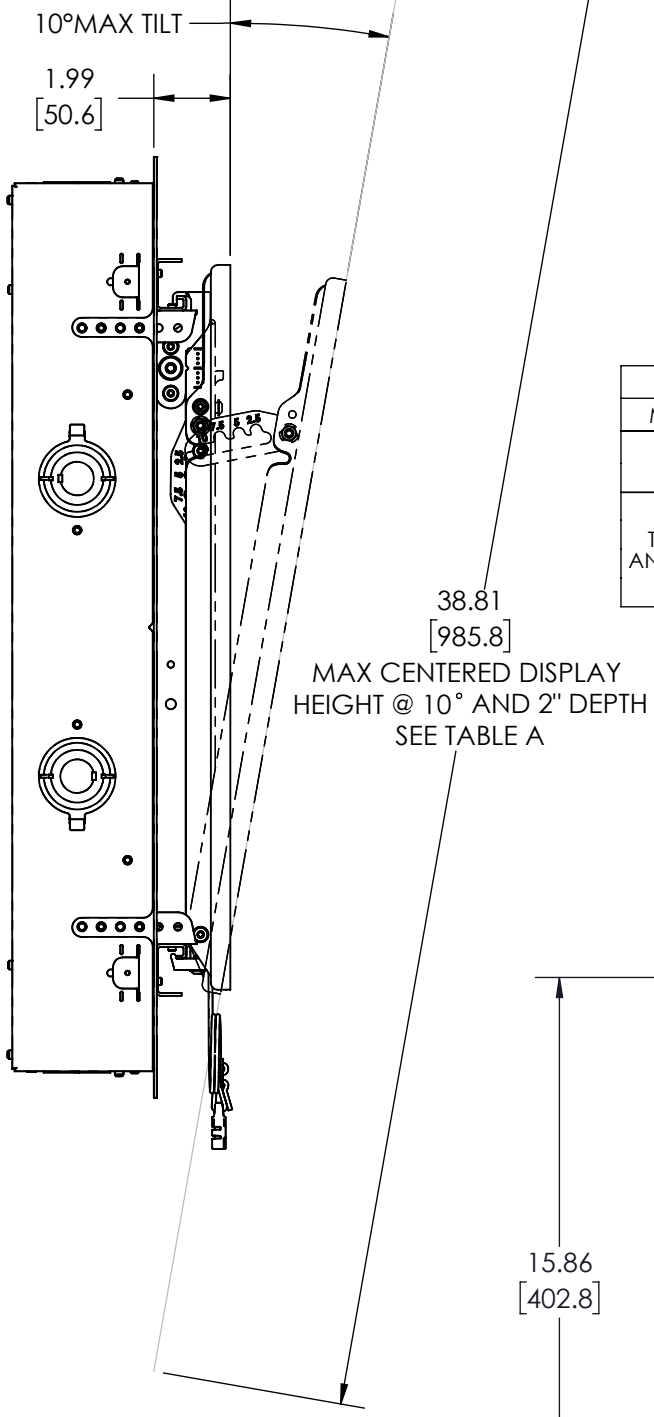
13.54
[344.0]
SECTION L-L

TABLE A					
MAX ALLOWABLE CENTERED DISPLAY HEIGHT (IN)					
		INTERFACE DEPTH SETTING			
		2.0 IN	1.5 IN	1.0 IN	0.5 IN
TILT ANGLE	2.5°	107.3	84.4	61.5	38.5
	5.0°	61.6	50.2	38.7	27.2
	7.5°	46.4	38.8	31.1	23.4
	10.0°	38.8	33.0	27.3	21.5

TABLE B					
LEVER LOCK TO BACK OF DISPLAY					
		INTERFACE DEPTH SETTING			
		2.0 IN	1.5 IN	1.0 IN	0.5 IN
DRYWALL THICKNESS	0.50 IN	5.40	4.90	4.40	3.90
	0.63 IN	5.52	5.02	4.52	4.02
	1.00 IN	5.46	4.96	4.46	3.96
	1.25 IN	5.71	5.21	4.71	4.21

TABLE C				
LEVER LOCK PLATE TO FRONT OF BOX DEPTH				
DRYWALL THICKNESS	0.50	0.63	1.00	1.25
DEPTH	3.48	3.61	3.54	3.79

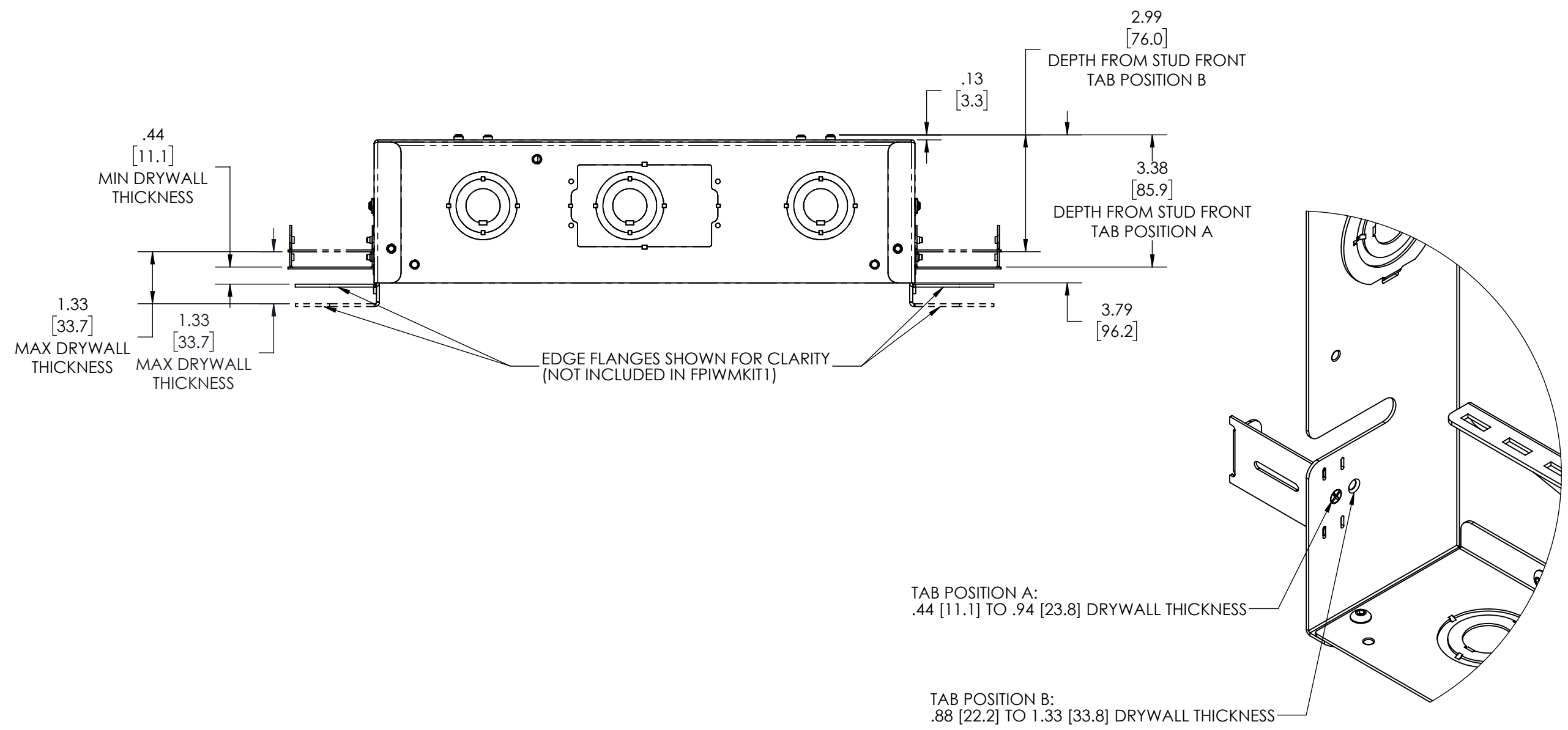
TABLE D					
INTERFACE TO LEVER LOCK PLATE DEPTH					
		INTERFACE DEPTH			
		2.0 IN	1.5 IN	1.0 IN	0.5 IN
DRYWALL THICKNESS	0.50 IN	3.45	2.95	2.45	1.95
	0.63 IN	3.57	3.07	2.57	2.07
	1.00 IN	3.51	3.01	2.51	2.01
	1.25 IN	3.76	3.26	2.76	2.26



LEVER LOCK PLATE DIMENSIONS

THE INFORMATION AND DESIGNS CONTAINED IN THIS DRAWING ARE CONFIDENTIAL AND THE PROPRIETARY PROPERTY OF LEGRAND | AV. NEITHER THIS DESIGN NOR ANY INFORMATION CONTAINED IN THIS DRAWING MAY BE REPRODUCED OR DISCLOSED TO OTHERS WITHOUT THE EXPRESS WRITTEN CONSENT OF LEGRAND | AV.

CAD GENERATED DRAWING, DO NOT MANUALLY UPDATE.				6436 CITY WEST PKWY EDEN PRAIRIE MN, 55344 PHONE: 866-977-3901 FAX: 877-894-6918	
DRAWN BY	MJS	10/10/2023	DESCRIPTION		
ENG APPROVAL			TEMPO IN-WALL FLANGE-MOUNT-STORAGE KIT		
MFG APPROVAL			MODEL NO.		
QA APPROVAL			FPIWMS		
SHEET 3 OF 4		SCALE	SIZE	DWG. NO.	REV.
		1:5	B	TECH-001278	00



THE INFORMATION AND DESIGNS CONTAINED IN THIS DRAWING ARE CONFIDENTIAL AND THE PROPRIETARY PROPERTY OF LEGRAND | AV. NEITHER THIS DESIGN NOR ANY INFORMATION CONTAINED IN THIS DRAWING MAY BE REPRODUCED OR DISCLOSED TO OTHERS WITHOUT THE EXPRESS WRITTEN CONSENT OF LEGRAND | AV.

CAD GENERATED DRAWING, DO NOT MANUALLY UPDATE.						6436 CITY WEST PKWY EDEN PRAIRIE MN, 55344 PHONE: 866-977-3901 FAX: 877-894-6918	
DRAWN BY	MJS	10/10/2023	DESCRIPTION				
ENG APPROVAL			TEMPO IN-WALL FLANGE-MOUNT-STORAGE KIT				
MFG APPROVAL			MODEL NO.				
QA APPROVAL			FPIWMS				
SHEET 4 OF 4		SCALE	1:3	SIZE	B	DWG. NO.	TECH-001278
							REV.
							00