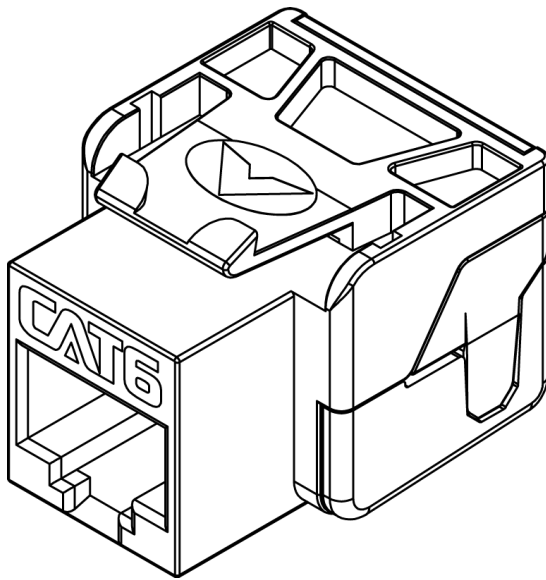


CAT 6 EZ Module Connector



Package Includes:

- A. CAT 6 EZ Module, 1 Piece
- B. Wiring Cap, 1 Piece

Features and Benefits

- CAT 6 rated connectors provide excellent performance for data networks requiring maximum speed and bandwidth.
- PCB technology provides maximum performance and superior signal quality.
- Enhanced crosstalk cancellation reduces return loss and improves performance by rejecting noise and unwanted signals.
- Exceeds ANSI/TIA-568-C requirements for permanent, channel link and component performances.
- Engineered to provide 110 IDC termination reducing installation time
- Pair-to-Pair wiring for easy termination and best performance.
- Includes an integrated TIA-568A/B color wiring diagram
- Backwards compatible to all lower rated category components
- Compatible with most IC107 faceplates, inserts, surface mount boxes, and blank patch panels*
- Used with ICC Category 6 ICPCSK series patch cords, JackEasy™ Termination Tool ICACSPDTEH, and 110 punch down tool ICACSPDT00
- Available in almond, black, blue, gray, green, ivory, orange, purple, red, white, and yellow
- UL 1863 compliant

Note:

Check faceplates, inserts, surface mount boxes, bezel, or blank patch panel part for compatibility

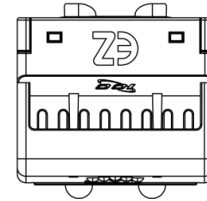
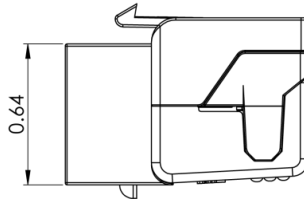
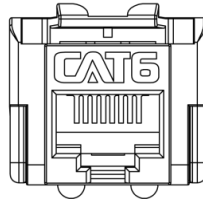
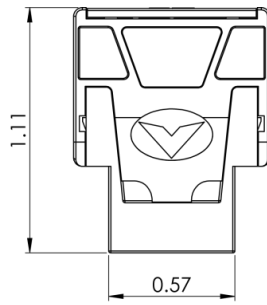
Part No: IC1078L6XX

Rev: K

Page 1 of 2

| 888-ASK-4ICC | icc.com | csr@icc.com |





NOTE: UNLESS OTHERWISE SPECIFIED

1. CAT 6 Module:

A. Electrical:

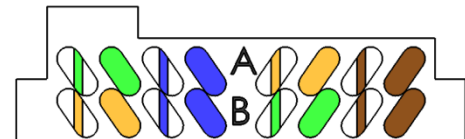
- Current Rating: 1.5 AMPS
- Insulation Resistance: 500 MOHMS Min
- Contact Resistance: 20 MOHMS Max
- DC Resistance: 0.1 OHM Max
- Transmission Performance Exceeds Category 6 Connecting hardware requirements specified in ANSI/TIA-568-C.2 when used with compatible horizontal cable

| CAT 6 Connecting Hardware Requirements | | | | | | | | | | | | |
|--|------|------|------|------|------|------|------|-------|------|------|------|------|
| Frequency (MHz) | 1.0 | 4.0 | 8.0 | 10.0 | 16.0 | 20.0 | 25.0 | 31.25 | 62.5 | 100 | 200 | 250 |
| NEXT Loss (dB) | 75.0 | 75.0 | 75.0 | 74.0 | 69.9 | 68.0 | 66.0 | 64.1 | 58.1 | 54.0 | 48.0 | 46.0 |
| FEXT Loss (dB) | 75.0 | 71.1 | 65.0 | 63.1 | 59.0 | 57.1 | 55.1 | 53.2 | 47.2 | 43.1 | 37.1 | 35.1 |
| RETURN Loss (dB) | 35.0 | 30.0 | 30.0 | 30.0 | 30.0 | 30.0 | 30.0 | 30.0 | 28.1 | 24.0 | 18.0 | 16.0 |
| Insertion Loss (dB) | 0.10 | 0.10 | 0.10 | 0.10 | 0.10 | 0.10 | 0.10 | 0.11 | 0.16 | 0.20 | 0.28 | 0.32 |

B. Mechanical:

- Plug Insertion Life: 750 Cycles Min
- Plug & Jack Contact Force: 100 Grams Min
using FCC approved plug
- Plug Retention Force: 50N (11 LBS) for 60s ± 5s
- Temperature: -40° to 150°F (-40° to 68°C)

WIRING DIAGRAM



C. Physicals:

- Housing: High Impact, Flame Retardant Plastic, UL 94V-0
- Jack Wiring: Phosphor Bronze Alloy Plated with 50 µin of Gold over 70~100 µin of Nickel
- Connector: Insulation Displacement Connector (IDC)
Accepts 22~24 AWG Solid Wire

D. Colors: XX: AL-Almond, BK-Black, BL-Blue, GY-Gray, GN-Green, IV-Ivory, OR-Orange, PR-Purple, RD-Red, WH-White, YL-Yellow

2. Termination Cap:

- A. Material: PC, UL 94V-0
- B. Color: Transparent Red

