



**L. H. DOTTIE**  
**CLAMPS & FITTINGS**

**Universal Strut Clamps - PC 5391**

One tool is all you need with our Universal Strut Clamps thanks to the welded stud that allows for a quick and easy installation. Includes keps nut, and the clamps come assembled to make sure you never lose any parts. Electrogalvanized is the standard finish.

CAT NO	SIZE	DESCRIPTION	GAUGE	ALLOWABLE LOAD	STD
SC50U	1/2"	Universal Strut Clamps	16	400#	50
SC75U	3/4"	Universal Strut Clamps	16	400#	50
SC100U	1"	Universal Strut Clamps	14	600#	50
SC125U	1-1/4"	Universal Strut Clamps	14	600#	50
SC150U	1-1/2"	Universal Strut Clamps	14	600#	50
SC200U	2"	Universal Strut Clamps	14	800#	50

E.M.T. Strut Clamps come assembled with a keps nut and slotted hex head bolt to make sure you never lose a part. Electrogalvanized is the standard finish.

CAT NO	SIZE	DESCRIPTION	GAUGE	ALLOWABLE LOAD	STD
SC50E	1/2"	E.M.T. Strut Clamps	16	400#	100
SC75E	3/4"	E.M.T. Strut Clamps	16	400#	100
SC100E	1"	E.M.T. Strut Clamps	14	600#	100
SC125E	1-1/4"	E.M.T. Strut Clamps	14	600#	50
SC150E	1-1/2"	E.M.T. Strut Clamps	12	800#	50
SC200E	2"	E.M.T. Strut Clamps	12	800#	50

Rigid Strut Clamps come assembled with a keps nut and slotted hex head bolt to make sure you never lose a part. Electrogalvanized is the standard finish. Also available are Stainless Steel Ridge Strut Clamps Type 304 or 316, quoted upon request.

CAT NO	SIZE	DESCRIPTION	GAUGE	ALLOWABLE LOAD	STD
SC50R	1/2"	Rigid Strut Clamps	16	400#	100
SC75R	3/4"	Rigid Strut Clamps	14	600#	100
SC100R	1"	Rigid Strut Clamps	14	600#	100
SC125R	1-1/4"	Rigid Strut Clamps	14	600#	50
SC150R	1-1/2"	Rigid Strut Clamps	12	800#	50
SC200R	2"	Rigid Strut Clamps	12	800#	50
SC250R	2-1/2"	Rigid Strut Clamps	12	800#	25
SC300R	3"	Rigid Strut Clamps	12	1000#	25
SC350R	3-1/2"	Rigid Strut Clamps	11	1000#	50
SC400R	4"	Rigid Strut Clamps	11	1000#	50
SC500R	5"	Rigid Strut Clamps	11	1000#	25
SC600R	6"	Rigid Strut Clamps	10	1000#	25

**L. H. DOTTIE**

**CLAMPS & FITTINGS**

**Fittings Meet ASTM A366**

**Specifications**

**Meets Metal Framing**

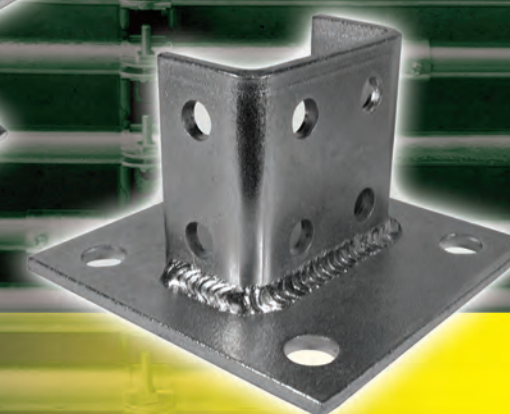
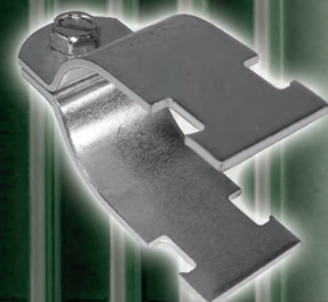
**Manufacturer's Assoc. Standards**

**Strut Clamps, Channel Nuts,**

**U-Bolt Beam Clamps,**

**Plate Fittings and Post Bases**

**Made in USA**





**Channel Nuts & U-Bolt Beam Clamps - PC 5392**

Channel Nuts are formed or stamped from steel bar stock and are case hardened after all forming and tapping operations have been completed. The nuts are then coated with zinc for an electrogalvanize finish. Sizes are also available in type 316 stainless steel, quoted upon request.

CAT NO	SIZE	A	THREAD	DESCRIPTION	STD
SSN25	1/4"	1/4"	20	Standard Spring Nut	100
SSN38	3/8"	3/8"	16	Standard Spring Nut	100
SSN50	1/2"	1/2"	13	Standard Spring Nut	100
SSN25S	1/4"	1/4"	20	Short Spring Nut	100
SSN38S	3/8"	3/8"	16	Short Spring Nut	100
SSN50S	1/2"	3/8"	13	Short Spring Nut	100
SCN25	1/4"	1/4"	20	Channel Nut Without Spring	100
SCN38	3/8"	3/8"	16	Channel Nut Without Spring	100
SCN50	1/2"	1/2"	13	Channel Nut Without Spring	100

U-Bolt Beam clamps are made from cold formed steel and conform to all tolerances listed in section 5.3 of the metal framing standards publication.

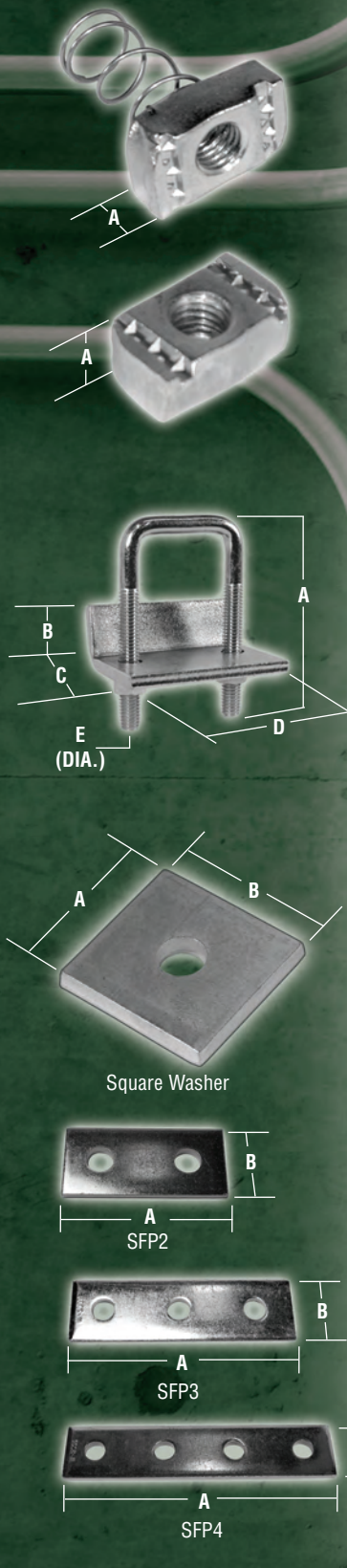
CAT NO	A	B	C	D	E	DESCRIPTION	STD
SUB158	3-1/2"	3/4"	1-3/4"	3"	3/8"	U-Bolt Beam Clamp for Strut	25
SUB325	5"	3/4"	1-3/4"	3"	3/8"	U-Bolt Beam Clamp for Strut	25

**Flat Plate Fittings - PC 5393**

Channel Nuts are formed or stamped from steel bar stock and are case hardened after all forming and tapping operations have been completed. The nuts are then coated with zinc for an electrogalvanize finish. Sizes are also available in type 316 stainless steel, quoted upon request.

CAT NO	HOLE SIZE	A	B	DESCRIPTION	STD
SQW516	5/16"	1-5/8"	1-5/8"	Square Washer	100
SQW38	3/8"	1-5/8"	1-5/8"	Square Washer	100
SQW50	1/2"	1-5/8"	1-5/8"	Square Washer	100
SQW58	5/8"	1-5/8"	1-5/8"	Square Washer	100

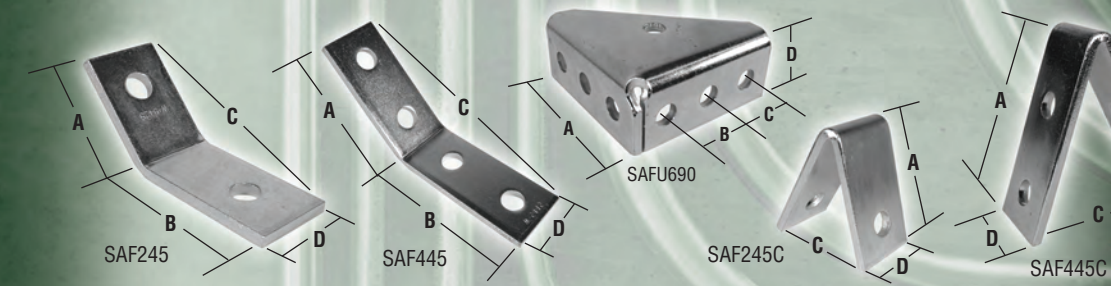
CAT NO	SIZE/TYPE	A	B	C	DESCRIPTION	STD
SFP2	2 Hole	3-1/2"	1-5/8"		Flat Plate Fitting	50
SFP3	3 Hole	5-3/8"	1-5/8"		Flat Plate Fitting	50
SFP4	4 Hole	7-1/4"	1-5/8"		Flat Plate Fitting	25
SFPL3	3 Hole	3-1/2"	3-1/2"	1-5/8"	Flat L Plate Fitting	50
SFPT4	4 Hole	5-3/8"	3-1/2"	1-5/8"	Flat T Plate Fitting	25
SFPC5	5 Hole	5-3/8"	5-3/8"	1-5/8"	Cross Plate Fitting	15



**Angle Fittings - PC 5394**

Angle Strut Fittings are made from cold formed steel and conform to all tolerances listed in section 5.3 of Metal Framing Standards Publication No. MFMA-1. Standard finish is electrogalvanized. Stainless steel types 304 and 316, quoted upon request.

CAT NO	TYPE	A	B	C	D	DESCRIPTION	STD
SAF290	2 Hole	2"	1-7/8"	1-5/8"		Bent 90° Angle Fitting	50
SAF390	3 Hole	1-7/8"	3-7/8"	1-5/8"		Bent 90° Angle Fitting	50
SAF490	4 Hole	3-7/8"	3-3/4"	1-5/8"		Bent 90° Angle Fitting	25
SAFU690	6 Hole	4-1/8"	7/8"	1-9/16"	1-5/8"	Universal 90° Angle Fitting	15
SAF245	2 Hole	2-5/16"	3"	45°	1-5/8"	Bent 45° Open Angle Fitting	50
SAF245C	2 Hole	3-1/16"	-	45°	1-5/8"	Bent 45° Closed Angle Fitting	25
SAF445	4 Hole	4-15/16"	4-11/32"	45°	1-5/8"	Bent 45° Open Angle Fitting	25
SAF445C	4 Hole	3-1/16"	-	45°	1-5/8"	Bent 45° Closed Angle Fitting	15



**Zee Fittings & U Fittings and Post Bases - PC 5395**

Zee and U-shaped fittings, Post Bases are made from cold formed steel and conform to all tolerances listed in section 5.3 of Metal Framing Standards Publication No. MFMA-1. Standard finish is electrogalvanized. Stainless steel types 304 and 316, quoted upon request.

CAT NO	TYPE	A	B	C	D	E	DESCRIPTION	STD
<b>Zee Fittings and U Fittings</b>								
SZFDS	-	2-1/8"	1-5/8"	1-5/8"	1-5/8"	-	Zee Fitting Deep Strut	50
SZFSS	-	2-1/8"	13/16"	13/16"	1-5/8"	-	Zee Fitting Shallow Strut	50
SUFDS	-	1-5/8"	51/2"	1-5/8"	-	-	U Fitting Deep Strut	15
SUFSS	-	13/16"	51/2"	1-5/8"	-	-	U Fitting Shallow Strut	25

**Post Bases**

SPB890	8 Hole	1-5/8"	1-5/8"	3-1/2"	6"	4"	Single Channel Tall Clevis	10
SPB1045	10 Hole	1-5/8"	1-5/8"	3-1/2"	6"	6"	Single Channel Tall Clevis	10
SPB1090	10 Hole	1-5/8"	1-5/8"	3-1/2"	6"	6"	Single Channel Tall Clevis Square	10
SPB1245	12 Hole	3-1/4"	1-5/8"	3-1/2"	6"	6"	Double Channel Tall Clevis	10
SPB1290	12 Hole	3-1/4"	1-5/8"	3-1/2"	6"	6"	Double Channel Tall Clevis Square	10

