

**UltraTech**  
POWER PRODUCTS

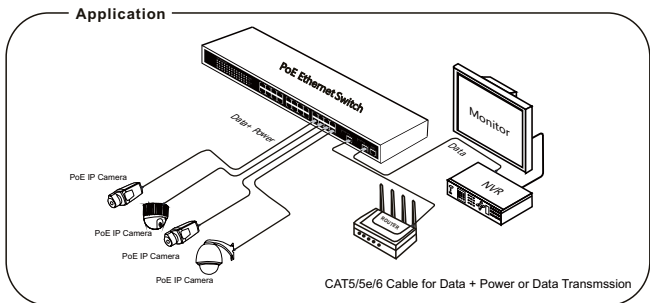
# 20 Port Gigabit Extended Range PoE Switch

16 Port PoE with 4 Port Uplink

AI DIP Switch



The **20 Port Gigabit Extended Range PoE Switch** is fully integrated to support security monitoring, providing high-performance packet forwarding and gigabit Ethernet transfer rates. Adaptive ports use the appropriate bandwidth to ensure clear images and smooth transmission for any application, including high definition video recording or streaming. The AI DIP switch enables PoE Watchdog, QoS, Extend and VLAN modes to further increase performance and security.



## Features

- The AI DIP switch includes four modes:
  - VLAN:** Ports 1-16 do not communicate with each other; they communicate only with uplink ports. This controls broadcast storm and strengthens security.
  - Extend:** Ports 1-16 communicate with each other and with uplink ports. Ports 1-16 can transmit up to 820 ft. (250m) with Cat5e/6 rated cable or higher.
  - PoE Watchdog:** If a linked network port receives no data for 2-3 minutes, PoE Watchdog cuts and restores power to that port, causing the linked device, such as an IP camera, to restart.
  - QoS:** Packet forwarding is prioritized for ports 1 and 2. More bandwidth is dedicated to these data streams if network conditions become unstable.
- Conforms to IEEE802.3, IEEE 802.3i, IEEE 802.3u, IEEE802.3ab, IEEE 802.3z, IEEE802.3af/at
- Provides 18 10/100/1000Base-T ports and 2 Gigabit SFP
- Provides 16 PoE injector and 250W Built-in power supply
- High back-plane bandwidth 40 Gbps
- IEEE802.3x Flow control

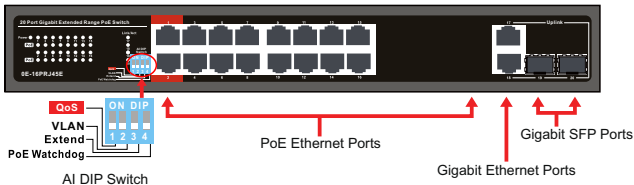
## ⚠ Notice

The transmission distance is related to the connected cable. Standard Cat5e/6 network cable and the quality of camera will help maximize the furthest distance possible.

## Board Diagram

### 20 Port Gigabit Extended Range PoE Switch

#### Front



#### Back



Power Input with On/Off Power Switch and 10Amp Fuse

## Installation Steps

Please check the following items before installation. If any items are missing, please contact ADI or the installing company.

- 20 Port Gigabit Extended Range PoE Switch 1 pc
- Rack mount kit 1 pc
- AC power cable 1 pc
- User manual 1 pc

#### Please follow the below installation steps:

1. Ensure that all devices are powered off before installation.

NOTE: Installing with the power on will damage the equipment.

2. Use network cable to connect PoE IP cameras or other devices to ports 1-16 of the PoE Switch.
3. Use network cable to connect equipment to the uplink port and NVR or computer.
4. Connect the AC power cable to the unit.
5. Confirm that the installation is correct, the equipment is in good condition and the connection is stable; then connect power to the system.
6. Ensure the PoE Switch has power and works properly.

## Specifications

Item		Description	
Power	Power Supply	Built-in Power Supply	
	Input Voltage	100–240 VAC	
	Output Voltage	52VDC	
	PoE Budget	250W for PoE	
Ethernet	Speed	Ports 1 to 18: 10/100/1000 Mbps Ports 19 to 20: Gigabit SFP	
	Transmission Distance	RJ45: 328 ft. (100 meters) SFP Port: Transmission distances vary with type of SFP module used. SFP module not included.	
Network Switch	Ethernet Standards	IEEE 802.3 / 802.3u / 802.3ab / 802.3af / 802.3at	
	Switching Capacity	40 Gbps	
	Transfer Rate	14,880 pps for 10 Mbps	
		148,800 pps for 100 Mbps	
		1,488,000 pps for 1000Mbps	
MAC Address	8K MAC address table		
LINK/ACT Indicator	On	Green	The port is connected
	Blinks	-	The port is receiving or transmitting data
	Off	-	The port is not linked successfully with the device
Special Features	PoE Watchdog	PoE Watchdog monitors the connection between the PoE port and IP camera or other powered device. If no data transmission is detected for 2-3 minutes, PoE Watchdog reboots the affected port.	
	QoS	In the event of a broadcast storm, QoS (Quality of Service) prioritizes data transmission for ports 1 and 2, allowing these ports to maintain consistent operation.	
	Extend	Downlink port speeds slow to 10 Mbps, enabling a transmission distance of up to 820 feet (250 meters).	
	VLAN	VLAN isolates traffic for downlink ports to avoid snooping/tampering. In this mode, downlink ports will not communicate with each other and will only communicate with uplink ports.	
PoE Indicator	On	Green	Power Device is connected
	Off	-	Power device is not connected or power forwarding fails
	PoE Pin Assignment	V+ (RJ45 Pin 1, 2), V- (RJ45 Pin 3, 6)	
Environment	<b>INDOOR USE ONLY</b>		
	Working Temperature	0°C~40°C (32°F~104°F)	
	Storage Temperature	-40°C~70°C (-40°F~158°F)	
	Humidity Non-Condensing	0~85%	
Mechanical	Dimension L x W x H	12.6" x 8.2" x 1.7"	
		320 x 207 x 44mm	
	Color	Black	

Specifications are subject to change without prior notice.

## Troubleshooting

- Make sure the equipment is installed according to the manufacturer's installation guide.
- Confirm RJ45 cable order meets EIA/TIA 568A or 568B standard.
- Each PoE port can provide maximum power of 30W. Do not connect equipment requiring over 30W.
- Replace the equipment with a proper functioning 20 Port PoE Ethernet Switch to check if the equipment is damaged.
- Please contact UltraTech Support at 833-574-9124, or contact the installing company.
- Total PoE power between all 16 PoE ports is limited to 250W.

## Plug Producing Method

Instruments to be used: wire crimper and network tester. Wire sequence of RJ45 plug should conform with EIA/TIA568A or 568B.

1. Remove 2cm of the insulating layer and bare 8 pairs UTP cable.
2. Separate the 8 pairs of UTP cable and straighten.
3. Line up the 8 pieces of cables per EIA TIA 568A or 568B.
4. Cut off the cables to leave 1.5cm bare wire.
5. Plug 8 cables into RJ45 plug make sure each cable is in each pin.
6. Use the wire crimper to crimp.
7. Repeat above steps to make additional ends.
8. Use network tester to test the cable.

Pin	Color
1	White/Green
2	Green
3	White/Orange
4	Blue
5	White/Blue
6	Orange
7	White/Brown
8	Brown



EIA/TIA 568A

Pin	Color
1	White/Orange
2	Orange
3	White/Green
4	Blue
5	White/Blue
6	Green
7	White/Brown
8	Brown



EIA/TIA 568B



### Notice

When choosing an RJ45, ensure that if one end is EIA/TIA568A, the other end is also EIA/TIA568A.  
When choosing an RJ45, ensure that if one end is EIA/TIA568B, the other end is also EIA/TIA568B.

## 1. Limited Warranty

### a. General

Subject to the terms and conditions of this Limited Warranty, from the date of sale through the period of time for product categories specified in Section 1(b), ADI warrants its UltraTech products to be free from defects in materials and workmanship under normal use and service, normal wear and tear excepted. Except as required by law, this Limited Warranty is only made to Buyer and may not be transferred to any third party.

ADI shall have no obligation under this Limited Warranty or otherwise if:

- (i) The product is improperly installed, applied or maintained;
- (ii) The product is installed outside of stated operating parameters, altered, or improperly services or repaired;
- (iii) Damage is caused by outside natural occurrences, such as lightning, power surges, fire, floods, acts of nature, or the like.
- (iv) Defects resulting from unauthorized modification, misuse, vandalism, or other causes unrelated to defective materials or workmanship, or failures related to batteries of any type used in connection with the products sold hereunder.

ADI only warrants those products branded as UltraTech products and sold by ADI. Any other products branded by third parties are warranted by the third party manufacturer for a period as defined by the third party manufacturer, and ADI assigns to Buyer those warranties and only those warranties extended by such third party manufacturers or vendors for non-ADI branded products. ADI does not itself warrant any non-ADI branded product and sells only on an as is basis in accordance with ADI's terms and conditions of sale.

**b. Specific Warranties for product categories are as follows:**

<b>Product Categories</b>	<b>Warranty Period</b>
SLA Batteries	12 months
CCTV Power Supplies	24 months
Surge Protection	24 months
UPS (Uninterruptible Power Supply)	24 months
Power and Relays	30 months
Network Switches/PoE Switches	Limited Lifetime
Alkaline Batteries	Limited Lifetime
Lithium Batteries	Limited Lifetime

**2. EXCLUSION OF WARRANTIES, LIMITATION OF LIABILITY**

THERE ARE NO WARRANTIES OR CONDITIONS, EXPRESS OR IMPLIED, OF MERCHANTABILITY, OR FITNESS FOR A PARTICULAR PURPOSE OR OTHERWISE, WHICH EXTEND BEYOND THE DESCRIPTION ON THE FACE HEREOF. TO THE FULLEST EXTENT PERMITTED BY LAW, IN NO CASE SHALL ADI BE LIABLE TO ANYONE FOR ANY (I) CONSEQUENTIAL, INCIDENTAL, INDIRECT, SPECIAL, OR PUNITIVE DAMAGES ARISING OUT OF OR RELATING IN ANY WAY TO THE PRODUCT AND/OR FOR BREACH OF THIS OR ANY OTHER WARRANTY OR CONDITION, EXPRESS OR IMPLIED, OR UPON ANY OTHER BASIS OF LIABILITY WHATSOEVER, EVEN IF THE LOSS OR DAMAGE IS CAUSED BY ADI'S OWN NEGLIGENCE OR FAULT AND EVEN IF ADI HAS BEEN ADVISED OF THE POSSIBILITY OF SUCH LOSSES OR DAMAGES. Any product description (whether in writing or made orally by ADI or ADI's agents), specifications, samples, models, bulletin, drawings, diagrams, engineering sheets, or similar materials used in connection with the Buyer's order are for the sole purpose of identifying ADI's products and shall not be construed as an express warranty or condition. Any suggestions by ADI or ADI's agents regarding use, applications or suitability of the products shall not be construed as an express warranty or condition unless confirmed to be such in writing by ADI. ADI does not represent that the products it sells may not be compromised or circumvented; that the products will prevent any personal injury or

property loss by burglary, robbery, fire or otherwise, or that the products will in all cases provide adequate warning or protection. Buyer understands and will cause its customer to understand that a properly installed and maintained product is not insurance or guarantee that such will not cause or lead to personal injury or property loss.

CONSEQUENTLY ADI SHALL HAVE NO LIABILITY FOR ANY PERSONAL INJURY, PROPERTY DAMAGE OR OTHER LOSS BASED ON ANY CLAIM AT ALL INCLUDING A CLAIM THAT THE PRODUCT FAILED TO GIVE WARNING. However, if ADI is held liable whether directly or indirectly for any loss or damage with respect to the products it sells, regardless of cause or origin, its maximum liability shall not in any case exceed the purchase price of the product, which shall be fixed as liquidated damages and not as a penalty and shall be the complete and exclusive remedy against ADI.

### **3. Limitation on Liability to Buyer's Customers.**

Buyer agrees to limit liability to its customers to the fullest extent permitted by law. Buyer acknowledges that ADI shall only be deemed to give consumers of its products such statutory warranties as may be required by law and at no time shall Buyer represent to its customers and/or users of ADI products that ADI provides any additional warranties. By accepting the products, to the fullest extent permitted by law, Buyer assumes all liability for, and agrees to indemnify and hold ADI harmless against and defend ADI from, any and all suits, claims, demands, causes of action and judgments relating to damages, whether for personal injury or to personal property, suffered by any person, firm, corporation or business association, including but not limited to, Buyer's customers and/or users of the products because of any failure of the products to detect and/or warn of the danger for which the goods were designed or any other failure of the products whether or not such damages are caused or contributed to by the sold or joint concurring negligence or fault of ADI.

### **4. Returns**

Subject to the terms and conditions listed below, during the applicable warranty period, ADI will replace Product or provide a credit at purchase at its sole option free of charge



any defective products returned prepaid. Any obligations of ADI to replace Limited Lifetime warranty products pursuant to this warranty which result from defect are limited to the availability of replacement product. ADI reserves the right to replace any such products with the then currently available products, or provide a credit in its sole discretion. In the event Buyer has a problem with any ADI product, please call your local ADI branch for return instructions:

For US call 1-800-233-6261

For Canada call 877-234-7378

For Puerto Rico call 787-793-8830

For EMEA contact your local ADI Branch

Be sure to have the model number and the nature of the problem available. In the event of replacement, the return product will be credited to Buyer's account and a new invoice issued for the replacement item. ADI reserves the right to issue a credit only in lieu of replacement.

If any UltraTech product is found to be in good working order or such product's inability to function properly is a result of user damage or abuse, the product will be returned to Buyer in the same condition as received and Buyer shall be responsible for any return freight changes.

## 5. Governing Law

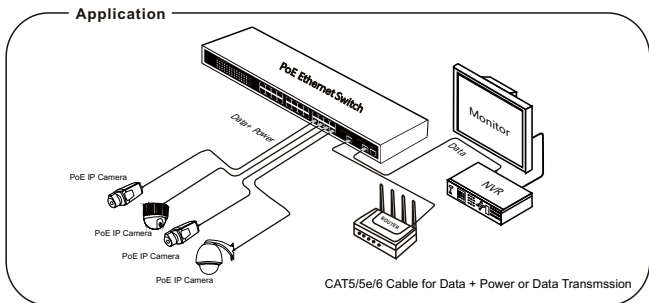
For North America – The laws of State of New York apply to this Limited Warranty.

For EMEA – This Limited Warranty shall be governed by the laws of England and Wales.

## 6. Miscellaneous

Where any term of this Limited Warranty is prohibited by such laws, it shall be null and void, but the remainder of the Limited Warranty shall remain in full force and effect.

Le commutateur PoE à portée étendue à 20 ports Gigabit permet une surveillance de la sécurité intégrée. Il offre une transmission de paquets à haute performance et une vitesse de transfert Gigabit rapide. Les ports actifs utilisent la bande passante appropriée pour des images limpides et une transmission efficace, peu importe l'application, y compris l'enregistrement et la diffusion vidéo haute définition. Le commutateur DIP AI permet les modes PoE Watchdog, QoS, prolongation et VLAN afin d'améliorer davantage la performance et la sécurité.



## Fonctionnalité

- Le commutateur DIP AI offre quatre modes :

**VLAN** : Les ports 1 à 16 ne peuvent pas communiquer les uns avec les autres, ils communiquent seulement aux ports par liaison montante. Cela permet de contrôler les avalanches de broadcast et de renforcer la sécurité.

**Prolongation** : Les ports 1 à 16 communiquent les uns avec les autres et avec les ports par liaison montante. La portée de transmission des ports 1 à 16 peut atteindre 820 pi (250 m) en utilisant des câbles Cat5e/6 ou mieux.

**PoE Watchdog** : Si un port lié au réseau ne reçoit pas de données pendant 2 ou 3 minutes, PoE Watchdog coupe l'alimentation de ce port et la rétablit afin de redémarrer l'appareil concerné, par exemple la caméra IP.

**QoS** : La priorité des transmissions de paquets est accordée aux ports 1 et 2. Une bande passante plus large est dédiée à ces flux de données si les conditions du réseau sont instables.

- Conforme à IEEE 802.3, IEEE 802.3i, IEEE 802.3u, IEEE 802.3ab, IEEE 802.3z, IEEE 802.3af/at.
- Offre 18 ports 10/100/1000Base-T et 2 ports Gigabit SFP
- Capacité de 16 injecteurs PoE et alimentation électrique intégrée de 250 W
- Bande passante d'arrière-plan élevée à 40 Gb/s
- Commande de flux conforme à la norme IEEE 802.3x



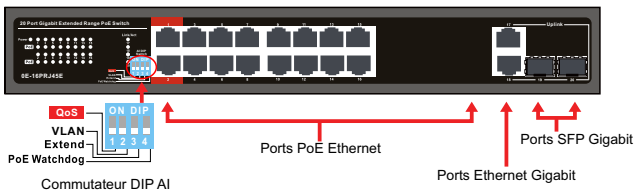
### Avis

La distance de transmission est dépendante du câble raccordé. Nous conseillons l'utilisation d'un câble réseau standard Cat5e/6 et d'une caméra de qualité afin d'obtenir une distance de transmission accrue.

## Schéma

### Commutateur PoE à portée étendue à 20 ports Gigabit

#### Avant



#### Arrière



Entrée d'alimentation avec commutateur d'alimentation On/Off (Activé/Désactivé)

## Étapes d'installation

Veillez vérifier la présence de ces unités avant l'installation. Si l'une ou l'autre est manquante, veuillez communiquer avec le revendeur.

- Commutateur PoE à portée étendue à 20 ports Gigabit 1 pièce
- Câble d'alimentation CA 1 pièce
- Trousse pour montage sur bâti 1 pièce
- Guide de l'utilisateur 1 pièce

#### Veillez suivre les étapes d'installation ci-dessous

1. Assurez-vous de couper l'alimentation de tous les appareils avant l'installation.  
REMARQUE : Une installation sans couper l'alimentation risque d'endommager l'équipement.
2. Utilisez le câble réseau pour connecter les caméras IP PoE ou les autres appareils aux ports 1 à 16 du commutateur PoE.
3. Utilisez le câble réseau pour connecter l'équipement au port à liaison montante à un NVR ou à un ordinateur.
4. Branchez l'adaptateur d'alimentation CA fourni avec l'appareil.
5. Confirmez que l'installation a réussi, que l'équipement est en bon état de fonctionnement et que les connexions sont solides. Ensuite, branchez l'alimentation au système.
6. Assurez-vous que l'équipement Ethernet soit alimenté et fonctionne adéquatement.

## Spécifications

Unité		Description
Alimentation	Bloc d'alimentation	Alimentation intégrée
	Plage de tension	100 à 240 V CA
	Capacité de puissance PoE	250 W pour la PoE
Ethernet	Vitesse	Ports 1 à 18 : 10/100/1000 Mb/s Ports 19 à 20 : SFP Gigabit
	Distance de transmission	100 mètres (328 pieds) Port SFP : Les distances de transmission varient selon de type de module SFP utilisé. Module SFP non inclus
Commutateur réseau	Norme Ethernet	IEEE 802.3 / 802.3u / 802.3ab / 802.3af / 802.3at
	Capacité de commutation	40 Gb/s
	Débit de transfert	14,880 pps pour 10 Mb/s
		148,800 pps pour 100 Mb/s
Adresse MAC	Table d'adresses MAC 8K	
LIAISON/ACT	Marche	Vert
	Clignote	-
	Arrêt	-
Fonctionnalités spéciales	PoE Watchdog	PoE Watchdog surveille la connexion entre le port PoE et la caméra IP ou les autres appareils alimentés. Si aucune donnée n'est détectée pendant deux ou trois minutes, PoE Watchdog redémarre le port concerné.
	QoS	Dans l'éventualité d'une avalanche de broadcast, la fonctionnalité QoS (Quality of Service) accorde la priorité aux ports 1 et 2 afin que ceux-ci puissent maintenir leur bon fonctionnement.
	Prolongation	La vitesse des ports par liaison descendante ralentit à 10 Mo/s permettant ainsi une distance de transmission jusqu'à 820 pi (250 m).
	VLAN	VLAN isole le trafic des ports par liaison descendante afin d'éviter les founiards informatiques ou les altérations. Dans ce mode, les ports par liaison descendante ne communiqueront pas les uns avec les autres, ils communiqueront uniquement avec les ports par liaison montante.
Indicateur PoE	Marche	Vert
	Arrêt	-
	Attribution du NIP PoE	V+(broche RJ45 1,2), V-(broche RJ45 3,6)
Environnement de fonctionnement	<b>USAGE INTÉRIEUR SEULEMENT</b>	
	Température de fonctionnement	de 0°C à 40°C
	Température d'entreposage	de -40°C à 70°C
	Humidité sans condensation	0 à 85 %
Mécanique	Dimension L x l x H	12,6 po x 8,2 po x 1,7 po
		320 x 207 x 44 mm
	Couleur	Noir

Une modification de caractéristique ne sera pas considérable.

## Dépannage

**Veillez suivre les étapes si l'équipement présente une défaillance.**

- Assurez-vous que l'équipement est installé selon les directives du guide d'installation du fabricant.
- Confirmez que l'ordre de câblage du RJ45 répond aux normes EIA/TIA568A ou 568B.
- La puissance maximale admissible par le port PoE vers l'équipement est de 30 W.  
Ne branchez pas un équipement PoE qui consomme plus de 30 W.
- Remplacez l'équipement avec un commutateur Ethernet PoE à 18 ports fonctionnel pour vérifier si l'équipement est endommagé.
- Veuillez communiquer avec le fournisseur si le problème persiste.
- La puissance PoE totale entre les 16 ports PoE est limitée à 250 W.

## Méthode de branchement

Outils nécessaires : sertisseuse de câbles et testeur de réseau. La séquence de fils de la prise RJ45 doit respecter la norme EIA/TIA568A ou 568B.

1. Retirez 2 cm de la gaine isolante et dénudez les 8 paires de fils du câble UTP.
2. Séparez les 8 paires du câble UTP et étendez-les.
3. Alignez les 8 tiges du câble selon les normes EIA TIA 568A ou 568B.
4. Coupez les câbles pour laisser une longueur dénudée de 1.5 cm.
5. Branchez 8 câbles dans la prise RJ45; assurez-vous que chaque câble est dans chaque broche.
6. Utilisez l'ondulateur de fils pour les replier.
7. Répétez les 6 étapes précédentes pour l'autre extrémité.
8. Utilisez le testeur de réseau pour vérifier le bon fonctionnement du câble.

Pin	Color
1	White/Green
2	Green
3	White/Orange
4	Blue
5	White/Blue
6	Orange
7	White/Brown
8	Brown



EIA/TIA 568A

Pin	Color
1	White/Orange
2	Orange
3	White/Green
4	Blue
5	White/Blue
6	Green
7	White/Brown
8	Brown



EIA/TIA 568B



### Avis

Lorsque vous optez pour un RJ45, assurez-vous qu'une extrémité soit conforme à EIA/TIA568A; l'autre doit aussi être conforme à EIA/TIA568A.

Lorsque vous optez pour un RJ45, assurez-vous qu'une extrémité soit conforme à EIA/TIA568B; l'autre doit aussi être conforme à EIA/TIA568B.

## 1. Garantie limitée

### a. Généralités

Sous réserve des modalités de la présente garantie limitée, à compter de la date de vente et pendant la période de garantie applicable aux catégories de produits précisée au paragraphe 1b), ADI garantit que ses produits UltraTech sont libres de tout vice de matériaux et de fabrication dans des conditions d'utilisation et d'entretien normales, sauf l'usure normale. Sauf si les lois l'exigent, la présente garantie limitée est offerte uniquement à l'acheteur et ne peut être transférée à un tiers.

ADI n'a aucune obligation aux termes de la présente garantie limitée ou autrement dans les circonstances suivantes :

- i. le produit est mal installé, appliqué ou entretenu;
- ii. le produit est installé de manière non conforme aux paramètres d'exploitation indiqués, modifié ou mal entretenu ou réparé;
- iii. le produit est endommagé par des phénomènes naturels extérieurs comme la foudre, une surcharge, un incendie, une inondation, une force majeure ou un phénomène similaire;
- iv. les défauts du produit résultent d'une modification non autorisée, d'une mauvaise utilisation, d'un acte de vandalisme ou d'autres causes non liés aux vices de matériaux ou de fabrication, ou à une défaillance des piles de quelque type que ce soit utilisées avec les produits vendus aux termes des présentes.

ADI ne garantit que les produits portant la marque UltraTech qu'elle vend. Les autres produits portant une marque de tiers sont garantis par le fabricant tiers pendant une période définie par ce dernier, et ADI cède à l'acheteur ces garanties et uniquement les garanties offertes par ces fabricants tiers ou vendeurs à l'égard de produits ne portant pas ses marques. ADI ne garantit pas de produits ne portant pas ses marques et vend ces produits tels quels, conformément à ses modalités de vente.

## b. Les garanties particulières applicables aux catégories de produits sont les suivantes :

Catégories de produits	Période de la garantie
Batteries plomb-acide scellées	12 mois
Blocs d'alimentation CCTV	24 mois
Protection contre les surcharges	24 mois
UPS (systèmes d'alimentation sans coupure)	24 mois
Alimentation et relais	30 mois
Commutateurs réseau/Commutateurs PoE	Durée de vie limitée
Piles alcalines	Durée de vie limitée
Piles au lithium	Durée de vie limitée

## 2. EXCLUSION DE GARANTIES ET LIMITATION DE RESPONSABILITÉ

IL N'EXISTE AUCUNE GARANTIE OU CONDITION, EXPRESSE OU IMPLICITE, DE QUALITÉ MARCHANDE, D'ADAPTATION À UNE FIN PARTICULIÈRE OU AUTRE QUI DÉPASSE LE CADRE DE LA DESCRIPTION FOURNIE AU RECTO DES PRÉSENTES. DANS LA PLEINE MESURE PERMISE PAR LA LOI, ADI NE SAURAIT EN AUCUN CAS ÊTRE TENUE RESPONSABLE ENVERS QUICONQUE DES DOMMAGES CONSÉCUTIFS, INDIRECTS, SPÉCIAUX OU PUNITIFS DÉCOULANT DU PRODUIT OU LIÉS À CELUI-CI DE QUELQUE FAÇON QUE CE SOIT ET/OU DU NON-RESPECT DE LA PRÉSENTE GARANTIE OU DE TOUTE AUTRE GARANTIE OU CONDITION, EXPRESSE OU IMPLICITE, OU DE TOUTE AUTRE RÉCLAMATION FONDÉE SUR LA RESPONSABILITÉ, MÊME SI LA PERTE OU LES DOMMAGES SONT CAUSÉS PAR LA NÉGLIGENCE OU LA FAUTE D'ADI ET MÊME SI CETTE DERNIÈRE A ÉTÉ AVISÉE DE LA POSSIBILITÉ QUE DE TELLES PERTES OU DE TELS DOMMAGES SURVIENNENT. Les descriptions de produits (fournies par écrit ou verbalement par ADI ou ses mandataires), caractéristiques techniques, échantillons, modèles, bulletins, dessins, diagrammes, esquisses techniques ou documents similaires utilisés par l'acheteur pour passer une commande visent uniquement à décrire les produits d'ADI et ne doivent pas être interprétés comme des garanties ou conditions

expresses. Les suggestions faites par ADI ou ses mandataires au sujet de l'utilisation, de l'application ou du caractère approprié des produits ne doivent pas être interprétées comme des garanties ou conditions expresses, sauf si ADI confirme par écrit qu'il s'agit de garanties ou de conditions expresses. ADI ne garantit pas qu'il n'y aura aucune atteinte à l'intégrité des produits qu'elle vend ou que les produits qu'elle vend ne seront pas contournés, qu'ils préviendront les blessures ou les pertes matérielles en cas de cambriolage, de vol, d'incendie ou autrement ou qu'ils constitueront dans tous les cas une protection ou un avertissement approprié. L'acheteur comprend qu'un produit dûment installé et entretenu permet uniquement de réduire le risque de cambriolage, de vol ou d'incendie sans avertissement, mais qu'il ne constitue pas une assurance ou une garantie qu'un tel événement ne se produira pas ou qu'il n'entraînera pas des blessures ou des pertes matérielles. PAR CONSÉQUENT, ADI NE SAURAIT ÊTRE TENUE RESPONSABLE DES BLESSURES, DES DOMMAGES MATÉRIELS OU D'AUTRES PERTES FAISANT L'OBJET D'UNE RÉCLAMATION, Y COMPRIS UNE RÉCLAMATION SELON LAQUELLE LE PRODUIT N'AURAIT PAS DONNÉ DE SIGNAL D'AVERTISSEMENT. Toutefois, si ADI est tenue responsable, directement ou indirectement, de pertes ou de dommages à l'égard des produits qu'elle vend, quelle qu'en soit la cause ou l'origine, sa responsabilité n'excèdera en aucun cas le prix d'achat du produit, dont le remboursement sera exigé à titre de dommages-intérêts extrajudiciaires et non d'amende, et il s'agira du recours exclusif et intégral pouvant être exercé contre ADI.

### **3. Limitation de la responsabilité envers les clients de l'acheteur.**

L'acheteur s'engage à limiter la responsabilité envers ses clients dans la pleine mesure permise par la loi. L'acheteur reconnaît qu'ADI ne sera réputée avoir fourni aux consommateurs de ses produits que les garanties qui sont exigées par la loi. L'acheteur ne doit en aucun cas déclarer à ses clients et/ou aux utilisateurs des produits d'ADI que cette dernière offre d'autres garanties. Par l'acceptation des produits, l'acheteur assume, dans la pleine mesure permise par la loi, la pleine responsabilité à l'égard de toutes les poursuites, réclamations, mises en demeure et causes d'action et à l'égard de tous les jugements se rapportant à des dommages-intérêts, que ce soit pour des préjudices personnels ou des dommages matériels, subis par une personne, une firme, une société



ou une association commerciale, y compris les clients de l'acheteur et/ou les utilisateurs des produits, en raison de toute omission de la part des produits de déceler le danger pour la détection duquel ils sont conçus et/ou de donner l'alerte de ce danger ou un avertissement de toute autre défaillance des produits, que ces dommages aient été causés par la négligence dont ADI est l'auteur ou le coauteur, et il tiendra ADI à couvert à cet égard et prendra fait et cause pour lui.

#### 4. Retours

Sous réserve des modalités énumérées ci-après, durant la période de garantie applicable, ADI remplacera le produit ou donnera une note de crédit à l'achat, à son gré et sans frais, à l'égard de tout produit défectueux qui lui est retourné. L'obligation qui incombe à ADI de remplacer le produit visé par une garantie à vie limitée aux termes de la garantie en question si celui-ci est défectueux se limite à la disponibilité d'un produit de remplacement. ADI se réserve le droit de remplacer un produit défectueux par le produit qui est disponible à ce moment-là, ou de donner une note de crédit, à son gré. Si l'acheteur a un problème avec un produit d'ADI, il doit appeler sa succursale ADI locale pour connaître la marche à suivre pour retourner le produit.

Aux États-Unis, composer le 1 800 233-6261

Au Canada, composer le 877 234-7378

À Porto Rico, composer le 787 793-8830

Pour EMEA, contactez votre agence ADI locale

L'acheteur doit avoir en main le numéro du modèle et décrire la nature du problème. En cas de remplacement, le prix du produit retourné sera porté au crédit du compte de l'acheteur et une nouvelle facture sera établie pour le produit de remplacement. ADI se réserve le droit de donner une note de crédit plutôt que de remplacer le produit.

Si l'on établit que le produit UltraTech n'est pas défectueux ou que son mauvais fonctionnement résulte d'une utilisation abusive ou de dommages causés par l'utilisateur, le produit sera retourné à l'acheteur dans le même état que celui dans lequel il a été reçu et l'acheteur devra acquitter les frais de transport.

## 5. Lois applicables

Pour l'Amérique du Nord – Les lois de l'État de New York s'appliquent à la présente garantie limitée.

Pour EMEA - Cette garantie limitée est régie par les lois d'Angleterre et du Pays de Galles.

## 6. Modalités diverses

Si une modalité de la présente garantie limitée est interdite par ces lois, elle sera nulle, mais le reste de la présente garantie limitée demeurera pleinement en vigueur.

**UltraTech**  
POWER PRODUCTS

For additional UltraTech information log on to  
[www.adiglobal.com](http://www.adiglobal.com)

Technical Support: 833.574.9124



**0E-16PRJ45E**



8 40049 13110 7