

# GV-SRK1356 Card Reader

The content of this installation guide refers to GV-SRK1356.

## Introduction

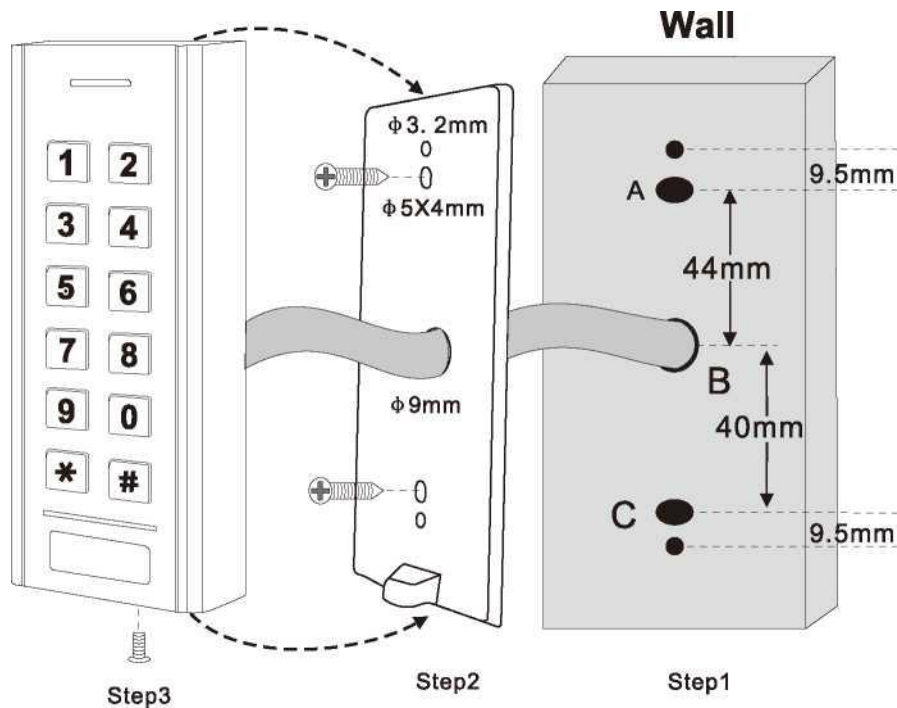
GV-SRK1356 is a dual-band OSDP keypad reader, capable of reading PIN codes and access cards. Its dual-band capability offers great flexibility for integrators to solve card management issues on the locations, installed with both 125 kHz and 13.56 MHz readers. For outdoor use, GV-SRK1356 comes with a weather-sealed and IP66-compliant housing.

## Specification

Power Source	DC 12 ~ 18 V
Power Consumption	50 mA (max)
RFID Frequency	125 kHz and 13.56 MHz
Reading Range	2 – 4 cm (0.78 – 1.57 in)
Wiegand Interface	Wiegand 26 bits for 125 kHz, 26 / 34 bits for 13.56 MHz, distance 100 m (328.1 ft) via GV-AS1620 / 2120 / 4110 / 4111 / 8110 / 8111
Operating Temperature	-40 °C ~ 60 °C (-40 °F ~ 140 °F)
Operating Humidity	0% to 98% RH
Color	Black
Ingress Protection	IP66
Dimensions (H x W x T)	120 x 50 x 20 mm (4.72" x 1.97" x 0.79")
Weight	150 g (0.33 lb)

## Installation

1. Drill 2 holes (A, C) on the wall for the screws and one hole (B) for the cable.
2. Knock the plastic screw anchors to the holes (A, C).
3. Fix the back cover on the wall with 2 screws.
4. Thread the cable through the cable hole (B).
5. Attach the unit to the back cover.



## Electric Wires

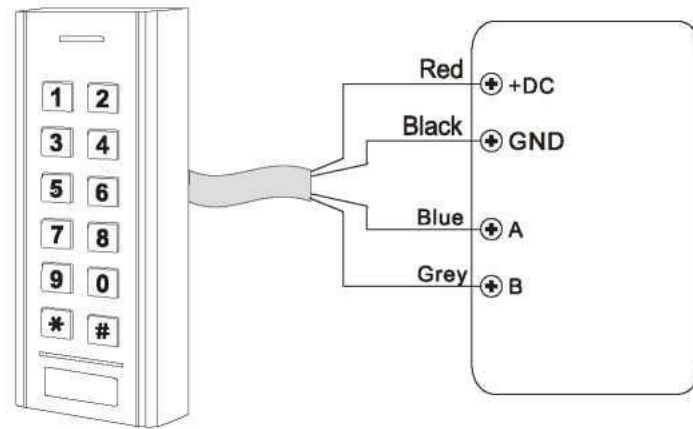
Wire Color	Function	Notes
Red	Power +	+ DC (12 – 18 V DC)
Black	GND	Ground
Green	D0	Data 0
White	D1	Data 1
Brown	LED	Green LED Light Control
Yellow	Buzzer	Buzzer Control
Blue	A	RS-485A
Gray	B	RS-485B

### Note:

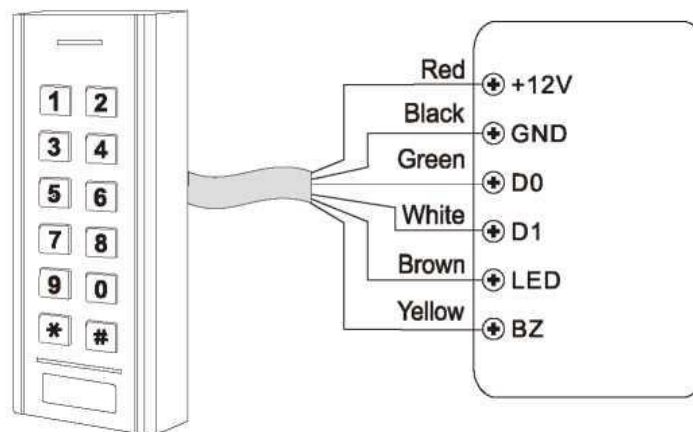
1. Brown and yellow wires are optional connections.
2. When connecting via Wiegand, the Ground (GND) wire must also be connected alongside the Wiegand Data 0 and Data 1 wires.

## Connection Diagram

Connect with OSDP Controller



Connect with Wiegand Controller



## Programming

### Set Master Code (4~6 digits)

The master code is used to prevent unauthorized access to the system. We suggest you immediately update it and note down the new master code. The master code is set to **123456** by default. Follow the steps below to update it.

1. Press \* for 5 seconds, and press **123456** (default master code) to enter the program mode.
2. To update the master code, press **0[the new master code]#**, and press **[the new master code]#**. For example, if you wish to update the new master code as **567890**, press **0567890#** and **567890#**.
3. Press \* again to exit the program mode.

## OSDP Address Setting

The OSDP address is set to **1** by default. Follow the steps below to change it.

1. Press **\*** for 5 seconds, and press the master code to enter the program mode.
2. To change the OSDP address, press **7[the new OSDP address]#**. For example, if you wish to change the OSDP address to **2**, press **72#**.
3. Press **\*** again to exit the program mode.

**Note:** The addresses of all readers under the same controller should be different, otherwise the readers will conflict with each other.

## Reset the Reader to Default

### Method 1

1. Press **\*** for 5 seconds, and press the master code to enter the program mode.
2. Press **50#**.
3. Press **\*** again to exit the program mode.

### Method 2

This method is suitable for users who forget the updated master code.

1. Power off the reader.
2. Connect the yellow and GND wires and power on the reader.
3. Wait for 5 seconds until there's a long beep.
4. Disconnect the yellow wire and GND wires. The reader is reset to default successfully.

## Indicator Light Status

Operating Status	Indicator Light Color / Buzzer	
	Connected via Wiegand	Connected via RS-485
Standby	Constant red	No
Correct Card (access granted)	Blinks green and beeps once when a card code approaches.	1. Blinks green and beeps once when a card code approaches. 2. Blinks green and beeps once upon access granted.
Error Card (access denied)		1. Blinks green and beeps once when a card code approaches. 2. Blinks red and beeps twice upon access denied.

**Note:** The status details are based on the test results when the reader is connected to GV-AS1620 / GV-CS1320.

## Packing List

1. GV-SRK1356
2. Self-Tapping Screw x 2 (4 x 25 mm)
3. Rubber Plug x 2
4. Installation Guide