

Flush-to-Floor Round Cut-In Floor Box Kits with Flip Lids

3.5" round, UL Listed non-metallic floor box for existing wood or concrete floor.*

FEATURES AND BENEFITS

- Easy to install in existing wood or concrete* floor
- Hide miscut flooring, cover edges of cut carpet, and get a neater finish with an oversized ring or carpet ring to match your cover



FLB3531MB

FLB3532NL



FLB3531NLTK

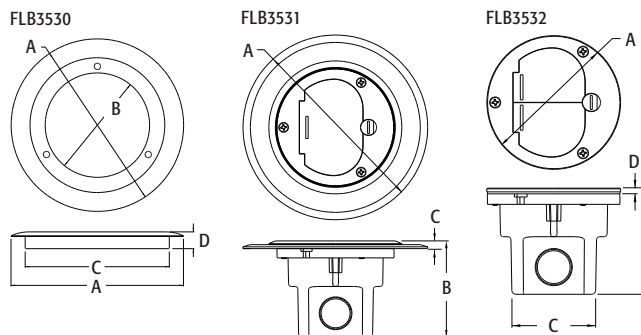
FLB3532MBTK

CATALOG NUMBER	UPC/DCI/NAED MFG #018997	DESCRIPTION ROUND CUT-IN BOX KIT	UNIT PKG	STD PKG	DIM A	DIM B	DIM C	DIM D
SINGLE FLIP LID								
FLB3531MB	00745	Brass cover	1	1	6.250	3.303	.261	-
FLB3531NL	00746	Nickel-plated brass cover	1	1	6.250	3.303	.261	-
2 FLIP LIDS								
FLB3532MB	48017	Brass cover	1	1	3.995	3.169	2.500	.169
FLB3532NL	48019	Nickel-plated brass cover	1	1	3.995	3.169	2.500	.169
CARPET RINGS								
FLB3530MB	16900	Brass	1	1	5.137	3.110	4.291	.500
FLB3530NL	16901	Nickel-plated brass	1	1	5.137	3.110	4.291	.500
TRIM KITS								
SINGLE FLIP LID								
FLB3531MBTK	00747	Brass	1	1	6.250	3.303	.261	-
FLB3531NLTK	00748	Nickel-plated brass	1	1	6.250	3.303	.261	-
2 FLIP LIDS								
FLB3532MBTK	48018	Brass	1	1	6.250	3.303	.261	-
FLB3532NLTK	48020	Nickel-plated brass	1	1	6.250	3.303	.261	-

*Electrical conduit must be accessible from underneath floor if installing in concrete.

PATENTS PENDING.

(See installation instructions on page P-18)



INSTALLATION WITH CARPET RING



CUT-IN BOX KITS INCLUDE...

Non-metallic box, round 4" diameter metal cover with flip lid(s), non-metallic gasket support plate, gasket, UL Listed 15 amp TR duplex receptacle, NM94 and NM95 cable connectors, (3) #8 x 1/2" flat head screws and (1) #6 x 1/2" screw.

COVER TRIM KITS INCLUDE...

Round 4" diameter metal cover with flip lid(s), gaskets, UL Listed 15 amp TR receptacle.