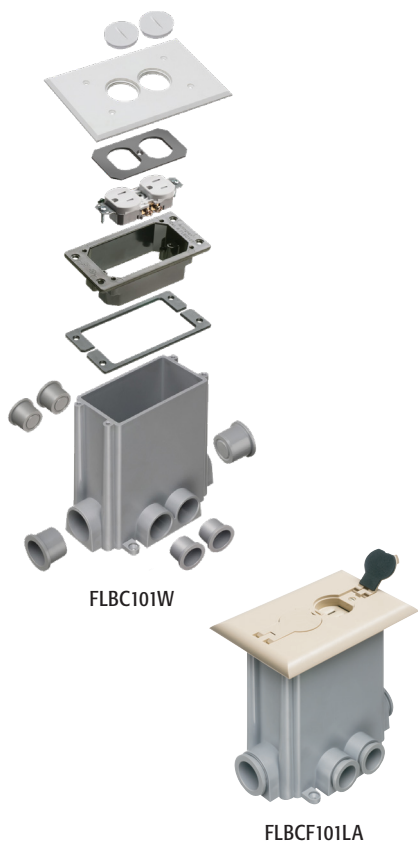


Non-Metallic Concrete Floor Box Kits with Non-Metallic Covers

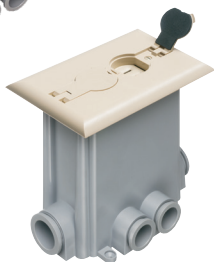
Low cost, clean, and neat concrete floor boxes. For New Concrete pours.

FEATURES AND BENEFITS

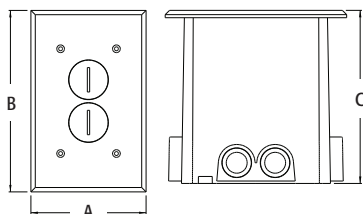
- Non-metallic boxes with gasketed box covers in 4 non-metallic colors; white, black, brown, light almond
- Cover gasket prevents water intrusion
- Low cost solution
- Threaded plugs or flip lids protect receptacle when not in use



FLBC101W



FLBCF101LA



CATALOG NUMBER	UPC/DCI/NAEP MFG #018997	DESCRIPTION RECTANGULAR COVER	UNIT PKG	STD PKG	DIM A	DIM B	DIM C
THREADED PLUGS							
FLBC101W	04352	White	1	1	4.125	6.500	6.199
FLBC101LA	04353	Light Almond	1	1	4.125	6.500	6.199
FLBC101BR	04355	Brown	1	1	4.125	6.500	6.199
FLBC101BL	04354	Black	1	1	4.125	6.500	6.199
FLIP LIDS							
FLBCF101W	06950	White	1	1	4.125	6.000	6.199
FLBCF101LA	06951	Light Almond	1	1	4.125	6.000	6.199
FLBCF101BR	06952	Brown	1	1	4.125	6.000	6.199
FLBCF101BL	06953	Black	1	1	4.125	6.000	6.199

PATENTED.



Scan For Video



INCLUDES...

Concrete box, mud cover, (4) 3/4" plugs, (2) 1" plugs, (1) 1/8" spacer, (1) 1/4" spacer, (1) 1/2" spacer and (1) 3/4" spacer, mounting bracket, duplex receptacle, gasketed cover plate, (5) #6-32 x 1/2" cover plate screws, (4) #8 x 5/8" sheet metal screws, #8 x 1-1/4" sheet metal screws and threaded plugs (or flip lids)

INSTALLATION INSTRUCTIONS



1 Install mud cover; set concrete box. Install plugs in openings not used for conduit. Pull conductors through openings.



2 (Concrete poured around box)



3 After concrete sets, trim box to finished floor height.



4 Install mounting bracket on concrete box...



5 ...through (4) outer holes on bracket, into corresponding holes in the box (#8 screws provided).



6 Wire tamper-resistant receptacle; install in box.



7 Install back plate and gasketed cover (#6-32 screws provided). Insert threaded blanks.



8 Supplied spacers allow for adjustment to final floor thickness.