

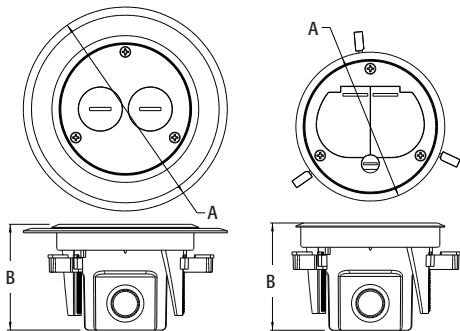
Metallic & Non-Metallic DROP IN™ Floor Box Kits

4" round, UL Listed metallic and non-metallic floor box kits for existing floors. Designed for flush-to-floor, neat installations. Quickly install with a SINGLE hole saw; cover sits just 1/8" off the floor.

FEATURES AND BENEFITS

- **Metal Covers** Available in brass or nickel-plated brass with two flip lids that keep water out and protect the box.
- **Non-Metallic Blank Covers** Perfect for covering unused receptacles. To use the receptacle, simply remove the blank cover.
- Five decorator colors: dark brown, light almond, gray, caramel, black—each with a matching non-metallic mounting bracket and carpet ring

CATALOG NUMBER	UPC/DCI/NAED MFG #018997	DESCRIPTION METAL COVER	UNIT PKG	STD PKG	DIM A	DIM B	WITH CARPET RING (DIM A)
FLIP LIDS							
FLB4360MB	00760	Brass	1	1	4.500	3.241	6.250
FLB4360NL	00761	Nickel-plated brass	1	1	4.500	3.241	6.250
THREADED PLUGS							
FLB4362MB	09810	Brass	1	1	4.500	3.241	6.250
FLB4362NL	09812	Nickel-plated brass	1	1	4.500	3.241	6.250
FLOOR BOX KITS WITH NON-METALLIC BLANK COVERS							
FLB4360BL	00762	Black	1	1	4.500	3.241	6.250
FLB4360BR	00763	Brown	1	1	4.500	3.241	6.250
FLB4360CA	00764	Caramel	1	1	4.500	3.241	6.250
FLB4360GY	00765	Gray	1	1	4.500	3.241	6.250
FLB4360LA	00766	Light Almond	1	1	4.500	3.241	6.250



COVER COLORS
Dark Brown,
Light Almond, Gray,
Caramel, Black

Suffix 'GC' added for ground clip (Canada).
PATENTED.

FLOOR BOX KITS INCLUDE...

Non-metallic box, round 4" diameter metal gasketed cover with flip lids, threaded plugs, or non-metallic gasketed cover blank, non-metallic gasket support plate, gasket, UL listed 15 amp TR duplex receptacle, non-metallic mounting bracket and carpet ring, NM94 and NM95 cable connectors, (3) #8 x 1/2" flathead screws and (1) #6 x 1/2" screw.

KITS INCLUDE MATCHING CARPET RING

INSTALLATION INSTRUCTIONS



1. Determine box location, taking care to avoid structural framing members. Using hole saw cut 4-1/4" diameter opening through floor and sub floor.
2. Insert mounting bracket. Using indicator marks, align bracket for proper receptacle orientation. Tighten (3) wing screws to secure bracket to floor.
3. Pull cable. Install in box with supplied cable connector. Attach box to bracket with (3) #8 x 1/2" sheet metal screws (supplied) through the U-shaped cut outs in the box flange.
4. Wire receptacle. Install in box. Attach supplied gasket support plate to receptacle with #6 x 1/2" screws.

Cover Installation

5. Install gasket. Attach cover to box with (3) #8 1/2" flathead machine screws.

Scan For Video

