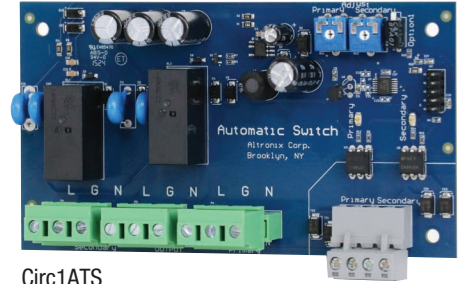


Circ1ATS

AC Power Transfer Switch

Altronix Circ1ATS is a high voltage AC automatic transfer switch that can be added to any Altronix power supply with a high voltage input. This unit accepts connections from two (2) Independent High Voltage AC sources (Primary and Secondary) and provides a single redundant High Voltage AC Output. If AC Power is lost on the Primary input, the Circ1ATS automatically transfers to the Secondary AC Power input without delay, ensuring that system security is maintained.



Circ1ATS

Specifications

Input

Two (2) Independent AC Inputs:
120 or 240VAC up to 10A each

Output

One (1) AC output: 120 or 240VAC up to 10A

Features

Removeable AC Terminal Blocks
Brownout Threshold Adjustment
Restore Delay Adjustment
DIN Rail mountable (DNP1)

Supervision

AC Failure (Primary and Secondary Inputs)
Form "A" Normally Closed contacts

Indicators (LED)

Input LED Indicators of
Primary and Secondary Power

Physical and Environmental

Dimensions (L x W x H)

Board: 5.5" x 3" x 0.75" (139.7mm x 76.2mm x 19.1mm)
Shipping: 8" x 6" x 5" (203.2mm x 152.4mm x 127mm)

Weight (approx.)

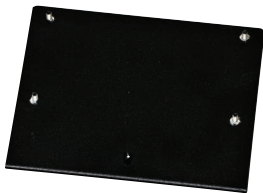
Product Weight: 0.35 lb. (0.16 kg)
Shipping Weight: 0.5 lb. (0.23 kg)

Temperature

Operating: 0°C to 49°C (32°F to 120°F)
Storage: - 20°C to 70°C (- 4°F to 158°F)

Relative Humidity 85% +/- 5%

Accessories (order separately)



BR1 - Sub-Assembly Mounting Bracket

Altronix BR1 mounting bracket is compatible with Altronix Maximal and Trove enclosures allowing sub-assembly modules to be mounted to the enclosure's inside wall, saving valuable space.



DNP1 - DIN Rail Mounting Plate

Altronix DNP1 DIN Rail Mounting Plate allows for easy installation of Altronix Power Supplies and sub-assemblies onto a standard 35mm DIN rail such as Altronix D10, D12, D19 or D24 - sold separately.



MM4 - Magnetic Mounting Solution

Altronix mounting magnets accommodate screws and nylon spacers to allow for mounting various boards/accessories in any metal enclosure or backplane.

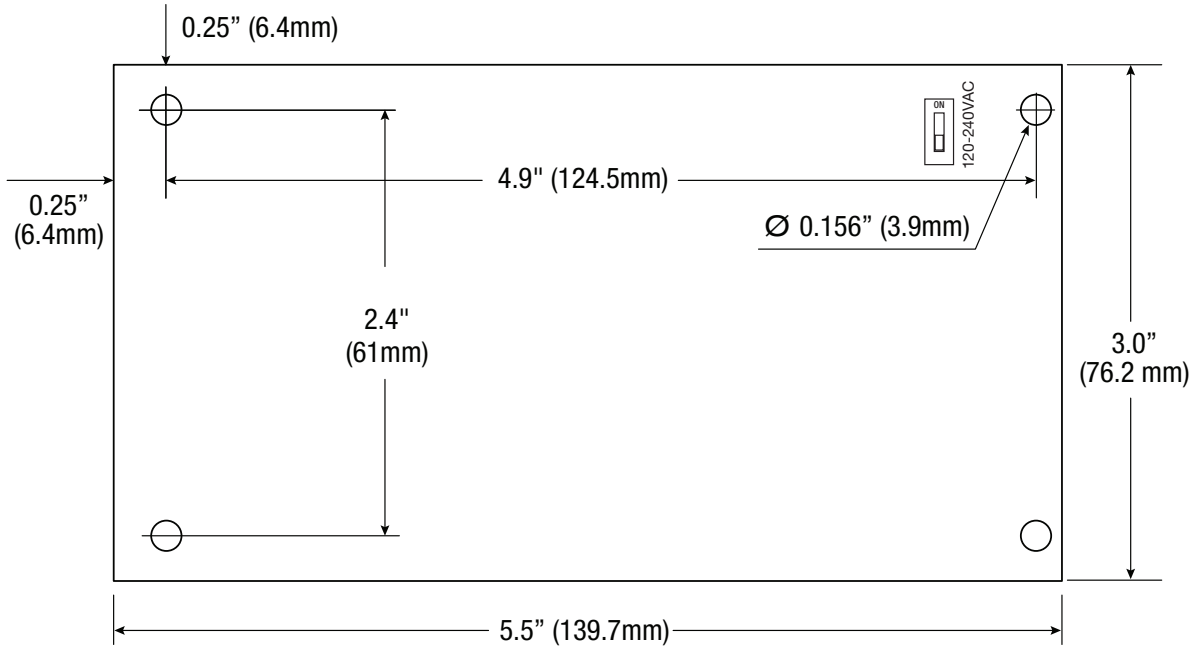
Lifetime Warranty

Dimensions and Drawing

Board Dimensions (L x W x H approximate)

5.5" x 3" x 0.75" (139.7mm x 76.2mm x 19.1mm)

Mounting Holes' Tolerance: +/- 0.04 in. (1mm)



Lifetime Warranty