

THIS INSTRUCTION SHEET IS TO ASSEMBLE THE Q-SERIES VERTICAL MANAGER



FOR MOUNTING THE Q-SERIES VERTICAL MANAGER TO A MM6 RACKING SYSTEM SEE THE MM6 SECTION 5,
AND MOUNTING INSTRUCTIONS INCLUDED WITH Q-SERIES TO MM6 ADAPTER KIT

TABLE OF CONTENTS:

1. INSPECTION CARTON CONTENTS
2. TOOLS REQUIRED
3. ASSEMBLY PROCEDURES TO SINGLE SIDED STANDARD EIA RACKING SYSTEM
4. ASSEMBLY PROCEDURES DUAL SIDED MANAGER STANDARD EIA RACK
5. ASSEMBLY PROCEDURES TO MM6 RACKING SYSTEM
6. ASSEMBLING THE DOOR AND LEGRAND BADGE
7. AVAILABLE ASSESSORIES

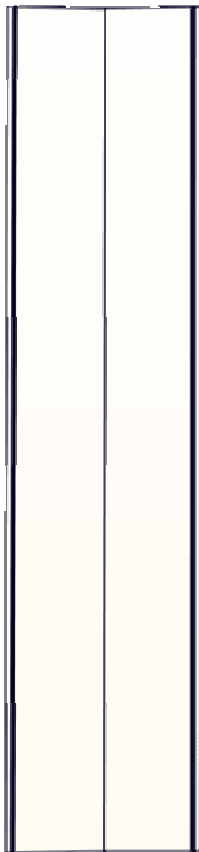
1. INSPECTION CARTON CONTENTS:



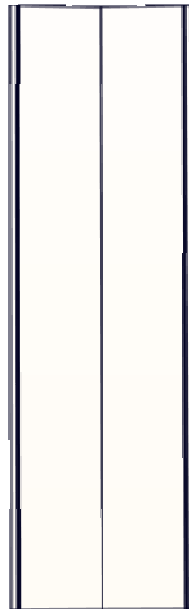
**LEGRAND
BADGE**



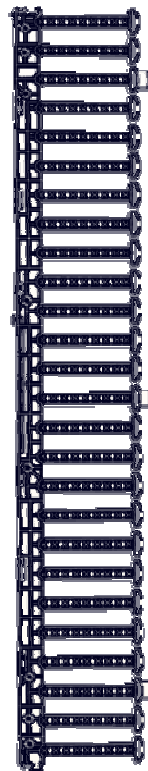
**ASSEMBLY
CLIP**



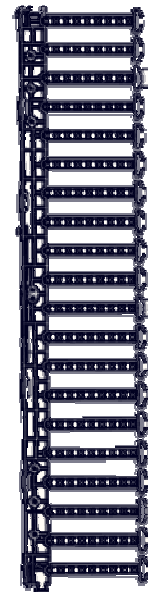
4FT DOOR



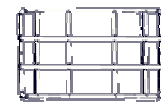
3FT DOOR



**4FT FINGER
SECTION**



**3FT FINGER
SECTION**



**CABLE MANAGEMENT
CAGE SECTION**



**SHOULDER
WASHER**



**EXTERNAL
TOOTH WASHER**



**SCREW PAN HEAD
1/4-20 X 1/2" LG**

1. TYPICAL CARTON CONTENTS:

TABLE 1.A

7 FT SINGLE SIDED VERT. MGR.	8 FT SINGLE SIDED VERT. MGR.	6 FT DUAL SIDED VERT. MGR.	7 FT DUAL SIDED VERT. MGR.	8 FT DUAL SIDED VERT. MGR.	DESCRIPTION
2	X	8	4	X	FINGER SECTION 3FT
2	4	X	4	8	FINGER SECTION 4FT
1	X	4	2	X	EXTRUDED DOOR 3FT LONG
1	2	X	2	4	EXTRUDED DOOR 4FT LONG
5	6	4	5	6	CABLE MGMT CAGE SECTION
8	8	16	16	16	SHOULDER WASHER
8	8	16	16	16	LOCKWASHER 1/4" SCREW SIZE
8	8	16	16	16	SCREW, 1/4-20 x .50, PN HD
2	2	4	4	4	ASSEMBLY CLIP

2. TOOLS REQUIRED

- (REQUIRED) #2 PHILIPS SCREW DRIVER OR DRIVER BIT
- (REQUIRED) RUBBER Mallet (DUAL SIDED MANAGER)
- (OPTIONAL) CORDLESS DRILL WITH ADJUSTABLE TORQUE SETTINGS

3. ASSEMBLY STEPS Q-SERIES SINGLE SIDED VERTICAL MANAGER TO STANDARD EIA RACKING SYSTEM.

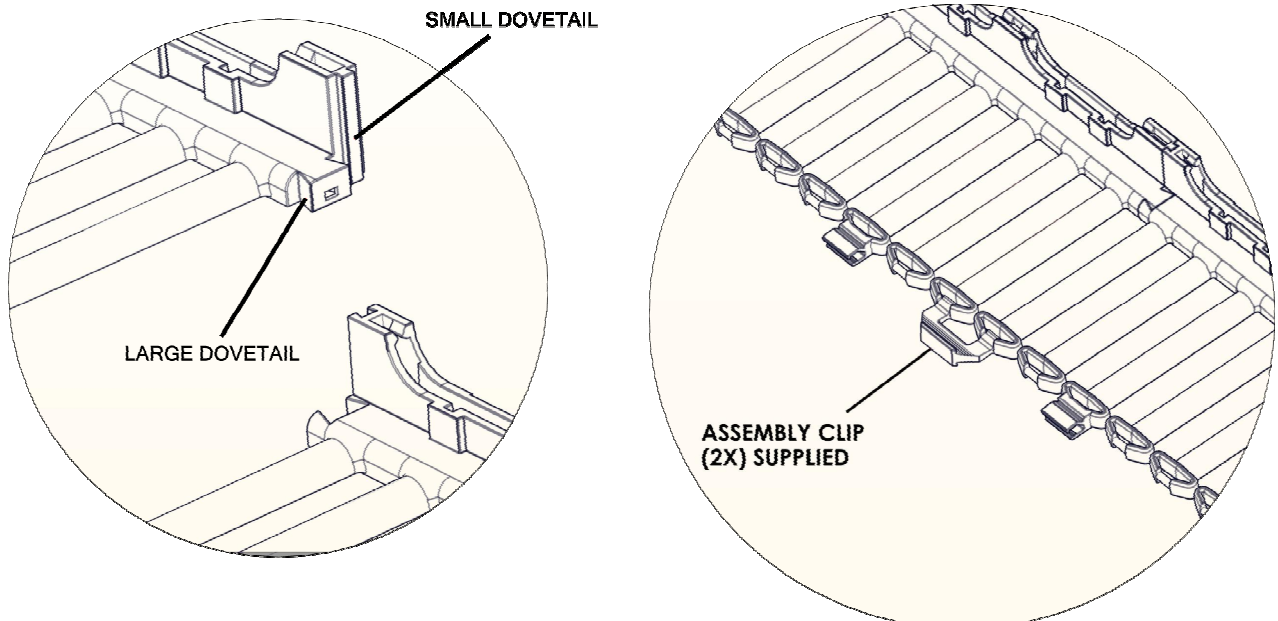
1. PRIOR TO UNPACKING KITS INSPECT ALL CARTONS FOR DAMAGE, THEN UNPACK CARTON AND INSPECT CONTENTS FOR DAMAGE AND INVENTORY ALL PARTS ACCORDING TO TABLE S 1.A REPORT ANY MISSING OR DAMAGED ITEMS TO THE SHIPPER FOR POTENTIAL REIMBURSEMENT.
2. SET ASIDE CONTENTS ON A FLAT SURFACE LIKE A WORKBENCH OR FLOOR SORTED BY SIZE OR LIKE COMPONENTS. (EXAMPLE USED IS 7 FOOT Q-SERIES VERTICAL MANAGERS).
3. PLEASE NOTE THE FOLLOWING ASSEMBLY CONFIGURATIONS:
 - 6 FOOT ASSEMBLY USES ALL 3 FOOT FINGER SECTIONS.
 - 7 FOOT ASSEMBLY USES (2X) 3 FOOT & (2X) 4 FOOT FINGERS SECTIONS PAIRED TOGETHER WITH 3FT SECTIONS ORIENTATED AT THE TOP OF THE RACK OR MANAGER.
 - 8 FOOT ASSEMBLY USES ALL 4 FOOT SECTIONS.
4. BEGIN BY ASSEMBLING DOVETAIL HALF SECTIONS.



PLEASE NOTE: ON 7FT ASSEMBLIES CONNECT THE 3FT HALF SECTION TO THE 4FT HALF SECTION WITH THE 4FT SECTION POSITIONED TOWARD THE BOTTOM OF THE RACK

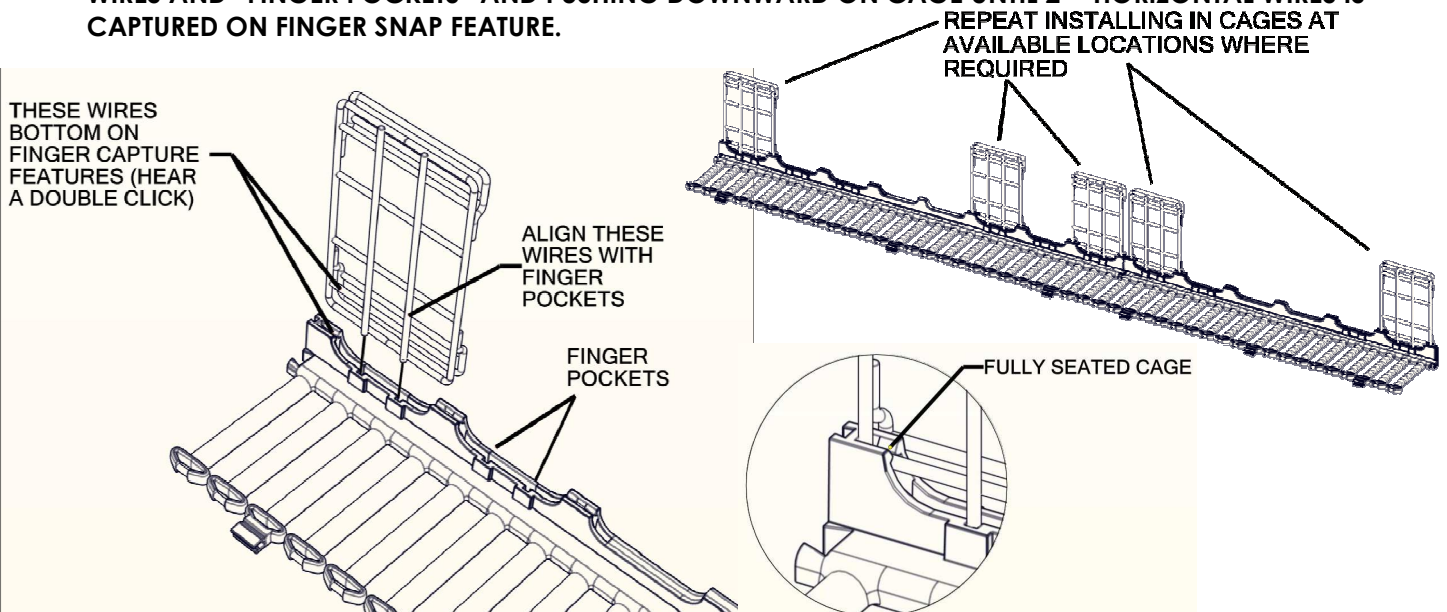
3. ASSEMBLY STEPS Q-SERIES SINGLE SIDED VERTICAL MANAGER CONTINUED:

5. SLIDE HALF SECTIONS TOGETHER ALIGNING DOUBLE DOVETAILS UNTIL IT LOCKS ON BIG DOVETAIL HOLDING FEATURE.
6. ATTACH ASSEMBLY CLIP BETWEEN FINGER SECTION SPLIT. SET ASSEMBLED SECTION A SIDE.
7. REPEAT FOR OTHER HALF SECTION. ADD 2ND ASSEMBLY CLIP TO HALF SECTION AND SET A SIDE.



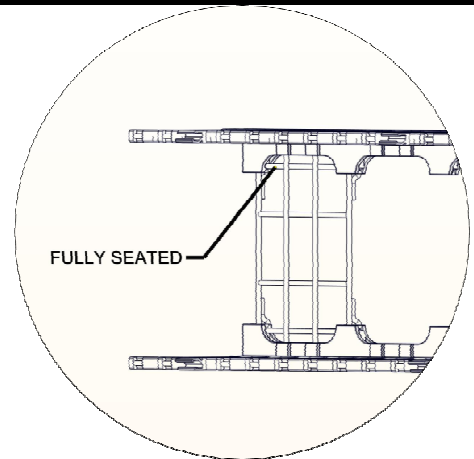
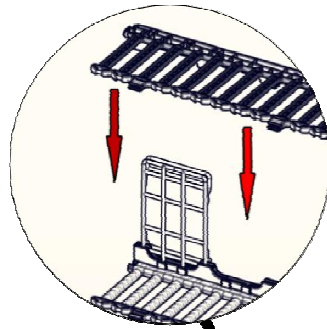
3. ASSEMBLY STEPS Q-SERIES SINGLE SIDED VERTICAL MANAGER CONTINUED:

8. BEGIN SNAPPING IN CABLE MANAGEMENT CAGES IN DESIRED LOCATIONS, BY ALIGNING VERTICAL CAGE WIRES AND "FINGER POCKETS" AND PUSHING DOWNWARD ON CAGE UNTIL 2ND HORIZONTAL WIRES IS CAPTURED ON FINGER SNAP FEATURE.

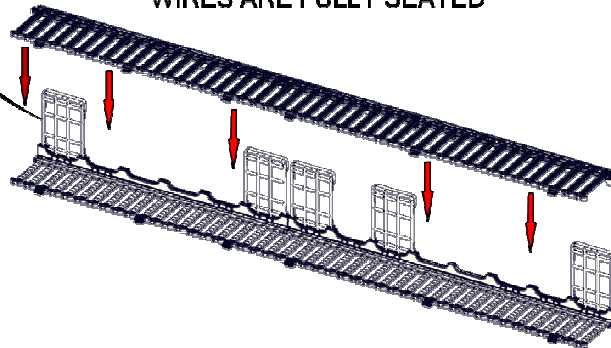


3. ASSEMBLY STEPS Q-SERIES SINGLE SIDED VERTICAL MANAGER CONTINUED:

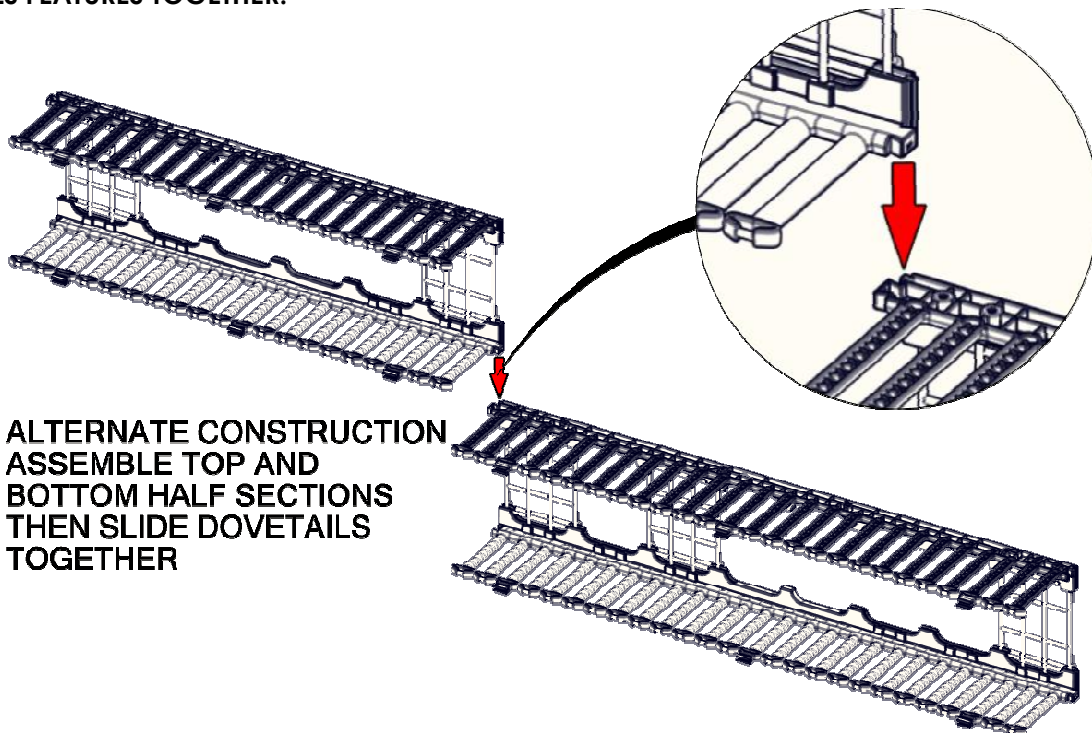
9. TAKE SECOND HALF BEGINNING AT ONE END AND SNAPPING THE SECOND HALF ONTO THE FIRST HALF.



ALIGN VERTICAL CAGE WIRES WITH FINGER POCKETS AS BEFORE AND PUSH DOWN UNTIL HORIZONTAL WIRES ARE FULLY SEATED



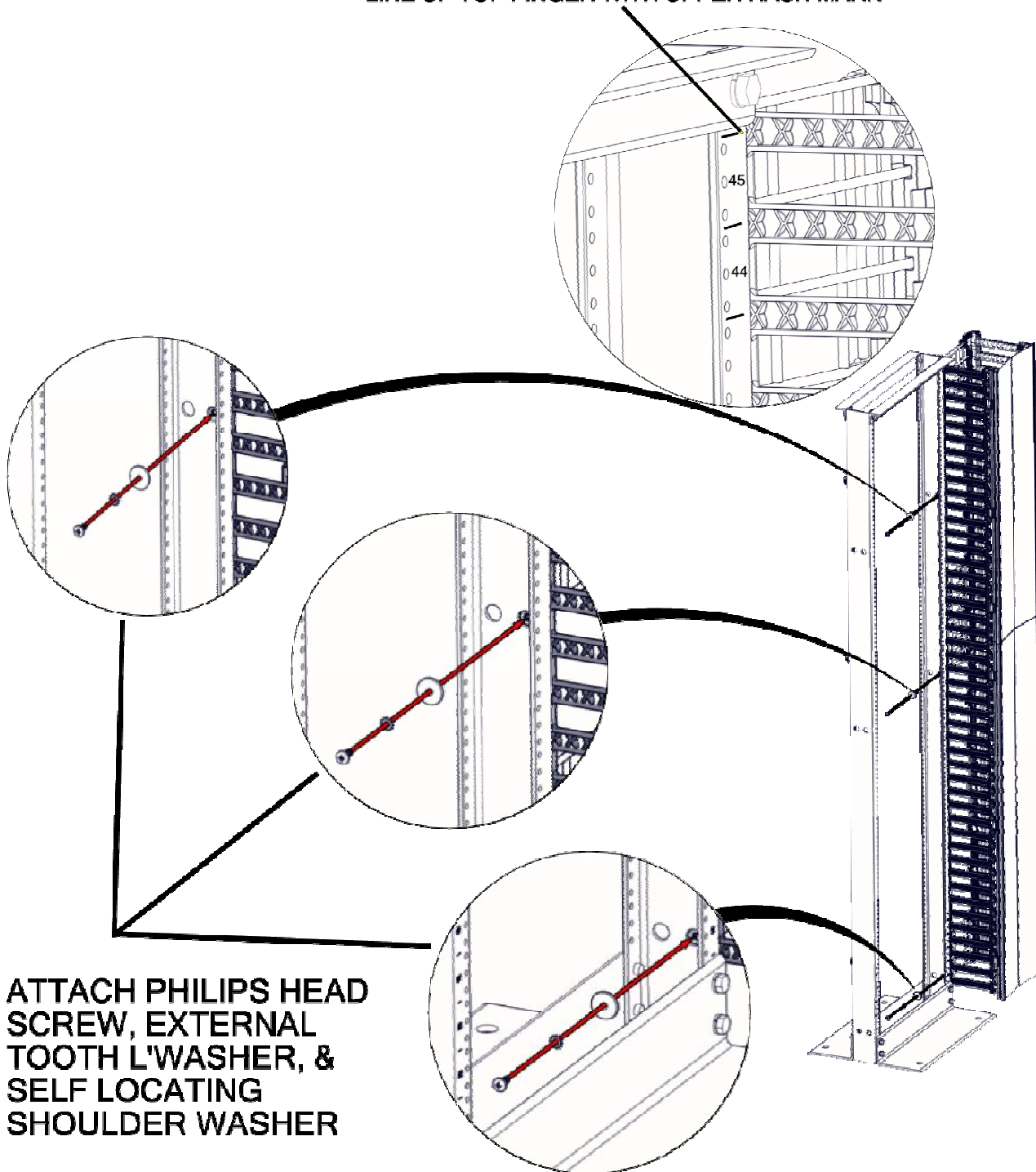
10. ALTERNATE CONSTRUCTION: ASSEMBLE THE TOP HALF FINGER SECTIONS AND CAGES TOGETHER. REPEAT FOR BOTTOM HALF FINGER SECTION AND CAGES, THEN SLIDE THE TOP HALF AND BOTTOM HALF SECTIONS DOVETAILS FEATURES TOGETHER.



ALTERNATE CONSTRUCTION
ASSEMBLE TOP AND
BOTTOM HALF SECTIONS
THEN SLIDE DOVETAILS
TOGETHER

3. ASSEMBLY STEPS Q-SERIES SINGLE SIDED VERTICAL MANAGER CONTINUED:

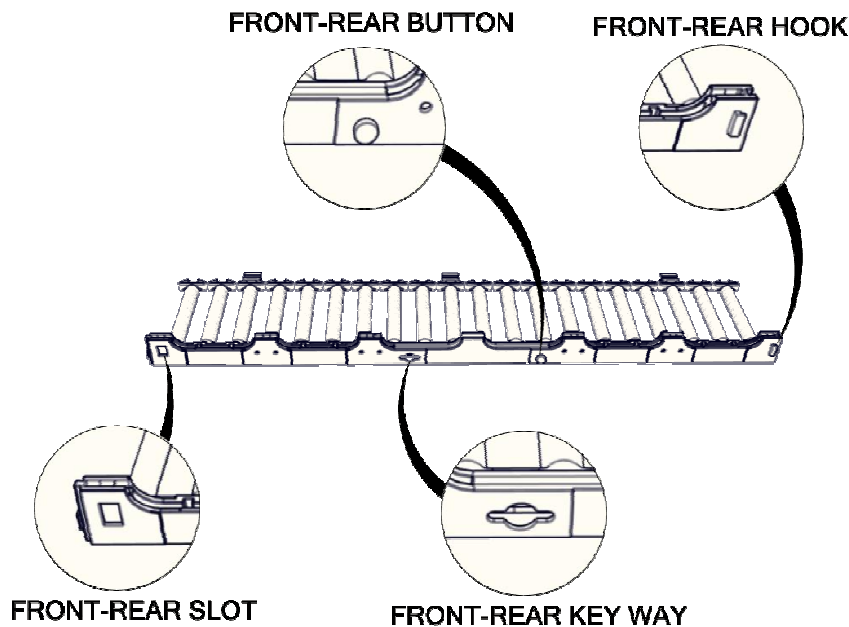
11. TAKE ATTACHED COMPLETED SINGLE SIDED MANAGER AND BEGIN MOUNTING TO STANDARD EIA RACKING SYSTEM BY SUPPORTING THE MANAGER AT THE BOTTOM THEN ALIGNING THE TOP FINGER WITH THE TOP LAST RACK UNIT HASH MARK. ATTACH WITH 1/4-20 PHILIPS HEAD SCREW, LOCKWASHER, AND SHOULDER WASHER ON EIA RACK SIDE HOLES. **LINE UP TOP FINGER WITH UPPER HASH MARK**



**ATTACH PHILIPS HEAD
SCREW, EXTERNAL
TOOTH L'WASHER, &
SELF LOCATING
SHOULDER WASHER**

4. ASSEMBLY STEPS Q-SERIES DUAL SIDED VERTICAL MANAGER TO STANDARD EIA RACKING SYSTEM:

1. WHEN CONSTRUCTING A Q-SERIES DUAL VERTICAL MANAGER, OBSERVE THESE FEATURES FOR FRONT TO BACK MOUNTING OF FINGER SECTIONS.

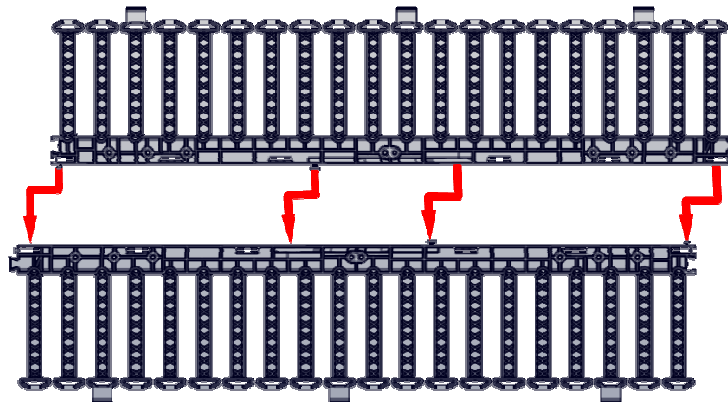


4. ASSEMBLY STEPS Q-SERIES DUAL SIDED VERTICAL MANAGER CONTINUED:

2. SLIDE TOGETHER FRONT TO REAR HALF SECTIONS.

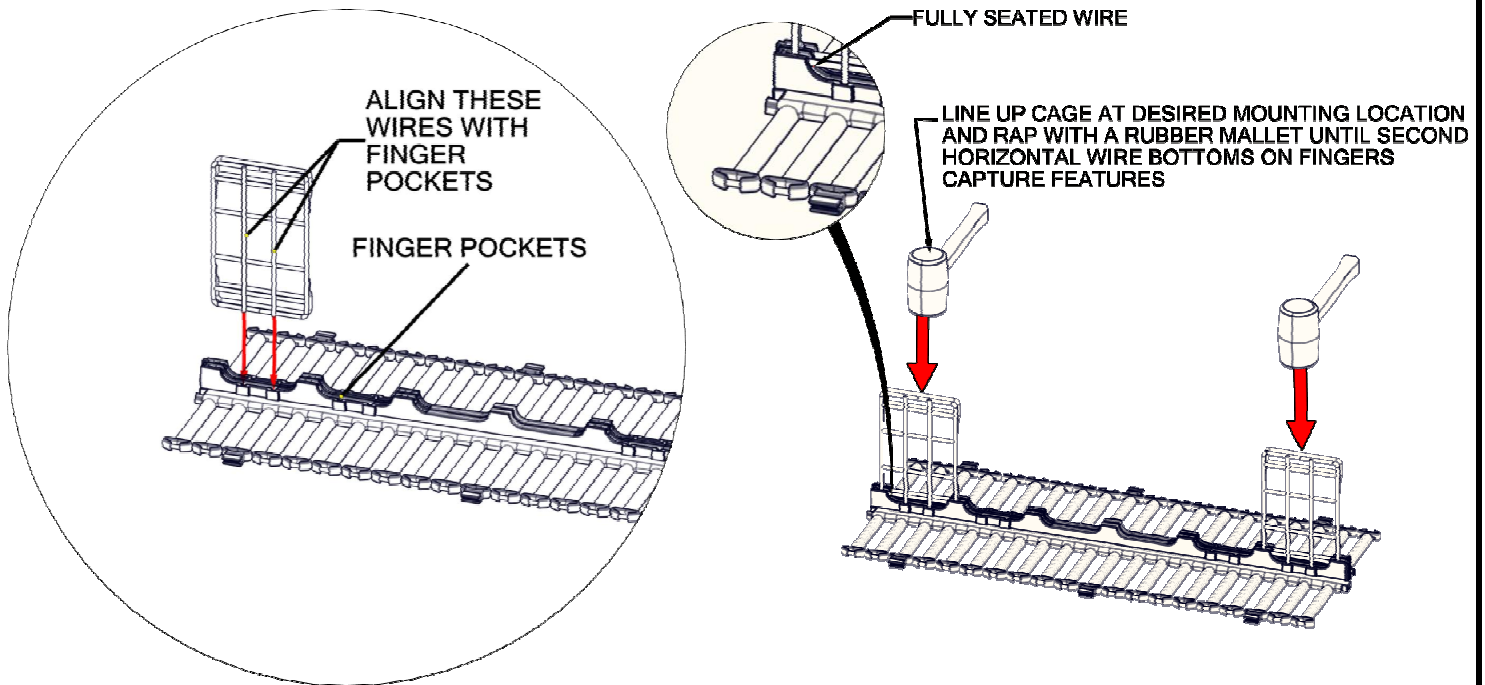


PLEASE NOTE: 7 FOOT ASSEMBLIES CONNECT (4X) 3FT HALF SECTIONS TOGETHER AND (4X) 4FT HALF SECTIONS (ORIENTATED TOWARD THE BOTTOM OF STANDARD EIA RACK)



3. REPEAT FOR ALL OTHER HALF FRONT TO REAR SECTIONS, AND SET A SIDE.

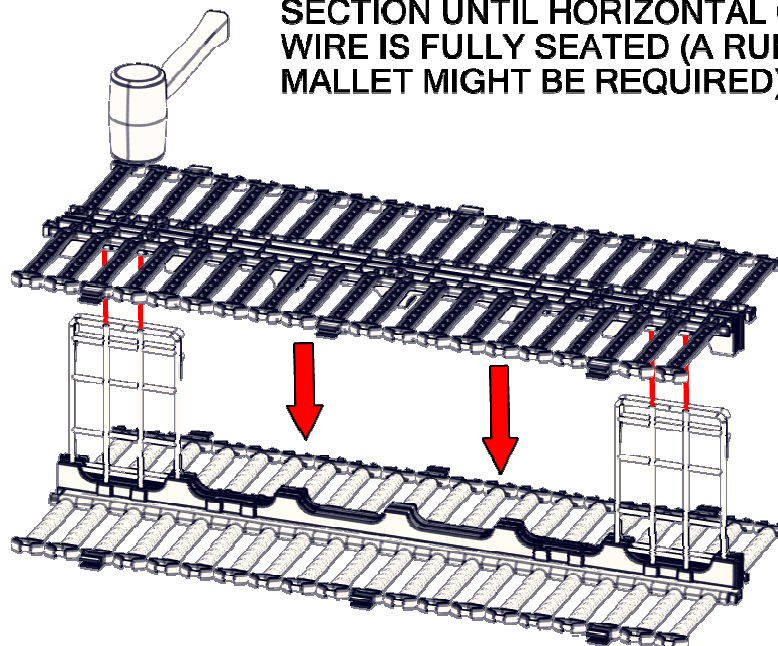
4. BEGIN INSTALLING WIRE MANAGEMENT CAGES IN DESIRED AVAILABLE LOCATIONS. A RUBBER Mallet MIGHT BE REQUIRED.



FOR CABLE MANAGEMENT IT RECOMMENDED THE CAGE BE ORIENTATED IN THE SAME DIRECTION

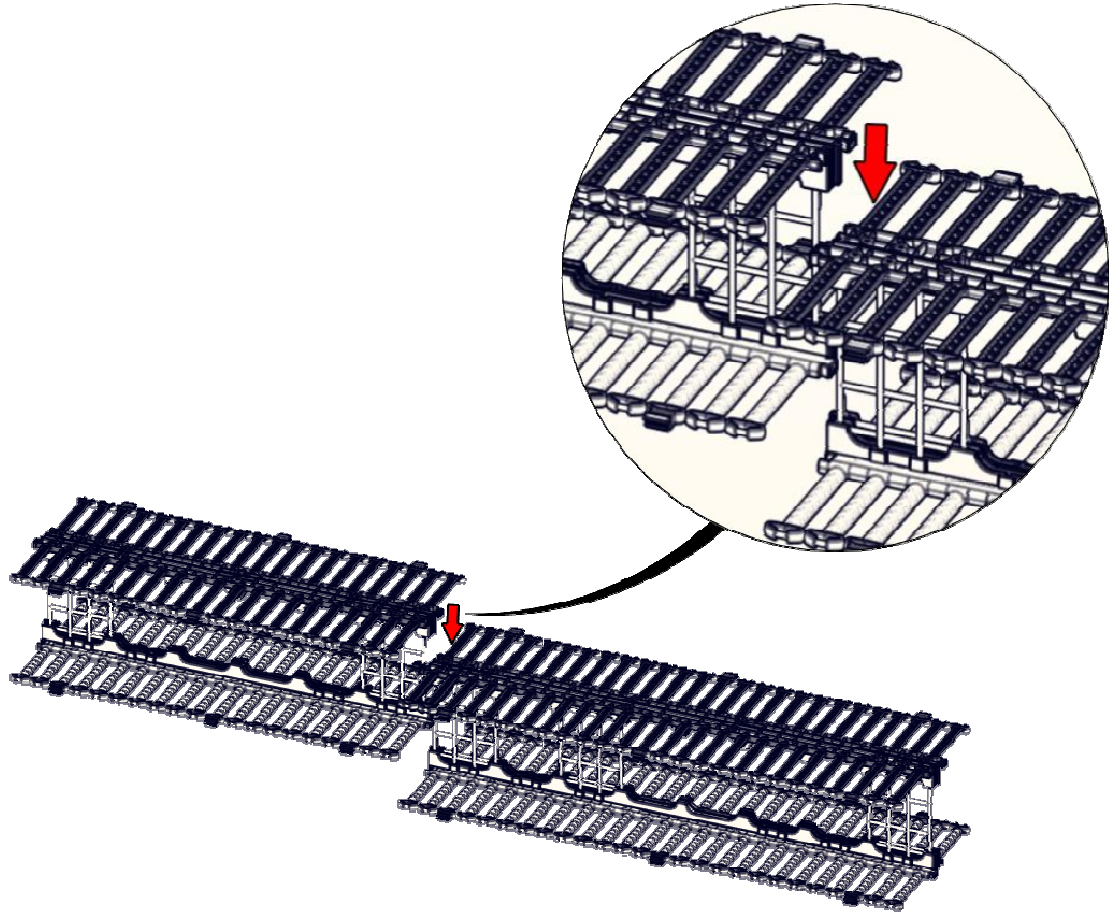
5. ASSEMBLE HALF SECTION(S), REPEAT FOR TOP AND BOTTOM POSITIONS.

ASSEMBLE HALF SECTION TO HALF SECTION UNTIL HORIZONTAL CAGE WIRE IS FULLY SEATED (A RUBBER MALLET MIGHT BE REQUIRED)



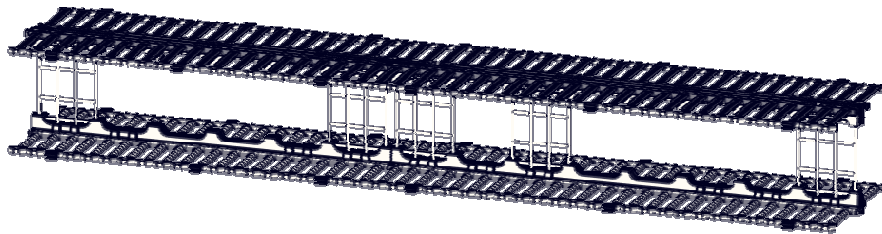
4. ASSEMBLY STEPS Q-SERIES DUAL SIDED VERTICAL MANAGER CONTINUED:

6. AFTER ASSEMBLING HALF SECTIONS TAKE TOP AND BOTTOM SECTION AND SLIDE DOVETAIL SECTIONS TOGETHER.



4. ASSEMBLY STEPS Q-SERIES DUAL SIDED VERTICAL MANAGER CONTINUED:

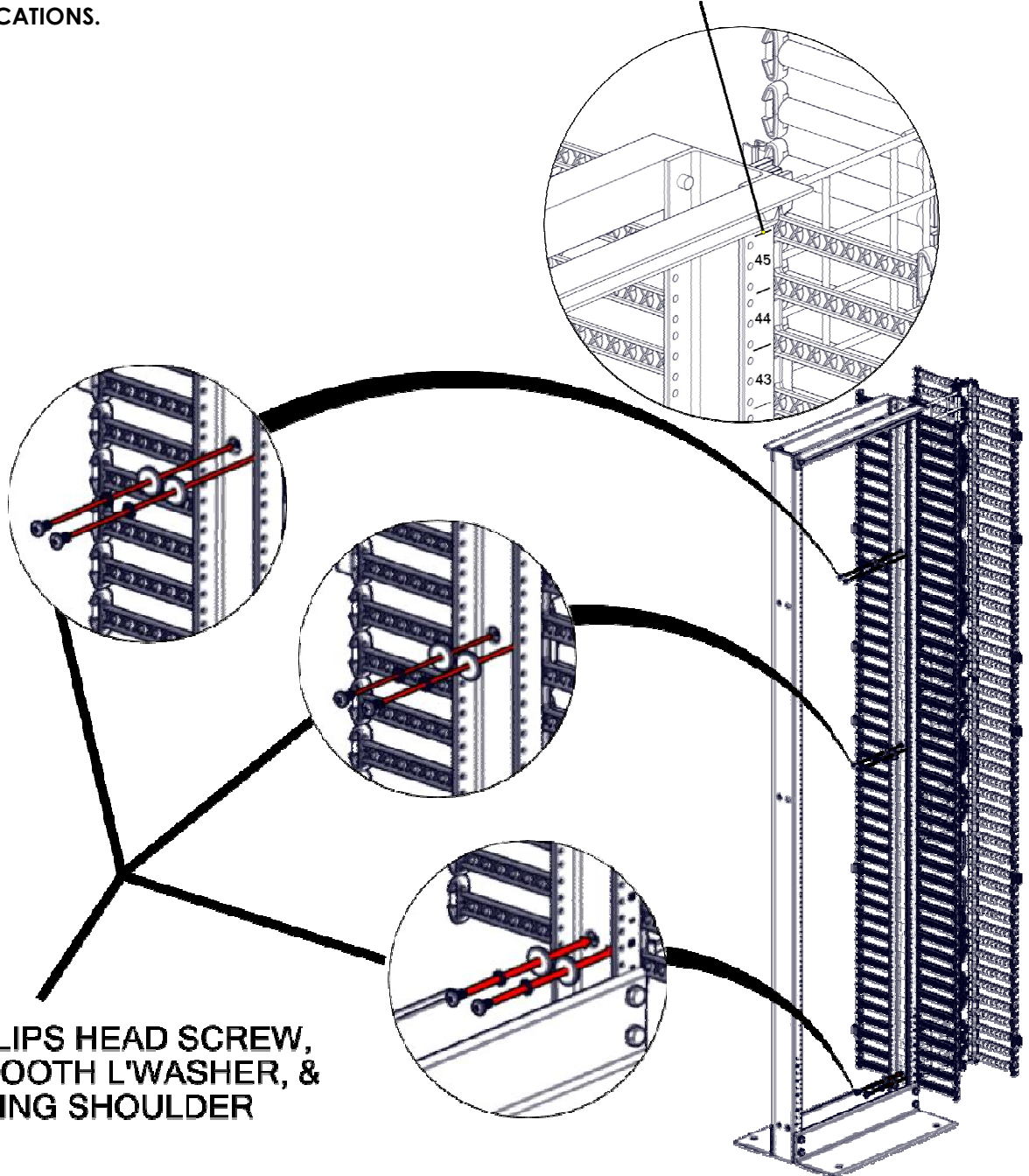
7. ONCE ASSEMBLED SECTIONS ARE DOVETAILED TOGETHER, COMPLETED ASSEMBLY IS READY TO MOUNT TO A STANDARD EIA RACKING SYSTEM.



4. ASSEMBLY STEPS Q-SERIES DUAL SIDED VERTICAL MANAGER CONTINUED:

8. TAKE ASSEMBLED DUAL SIDED VERTICAL MANAGER AND LINE UP TOP FINGER WITH TOP HASH MARK EXPOSING FINGER SECTION SCREW BOSSES AND ATTACH WITH SHOULDER WASHER, EXTERNAL TOOTH LOCKWASHER, AND 1/4-20UNC PHILIPS PAN SCREW IN BOTH RACK SIDE MOUNTING HOLES.
9. INSTALL REST OF THE HARDWARE AT AVAILABLE MOUNTING LOCATIONS.

LINE UP TOP FINGER WITH UPPER HASH MARK



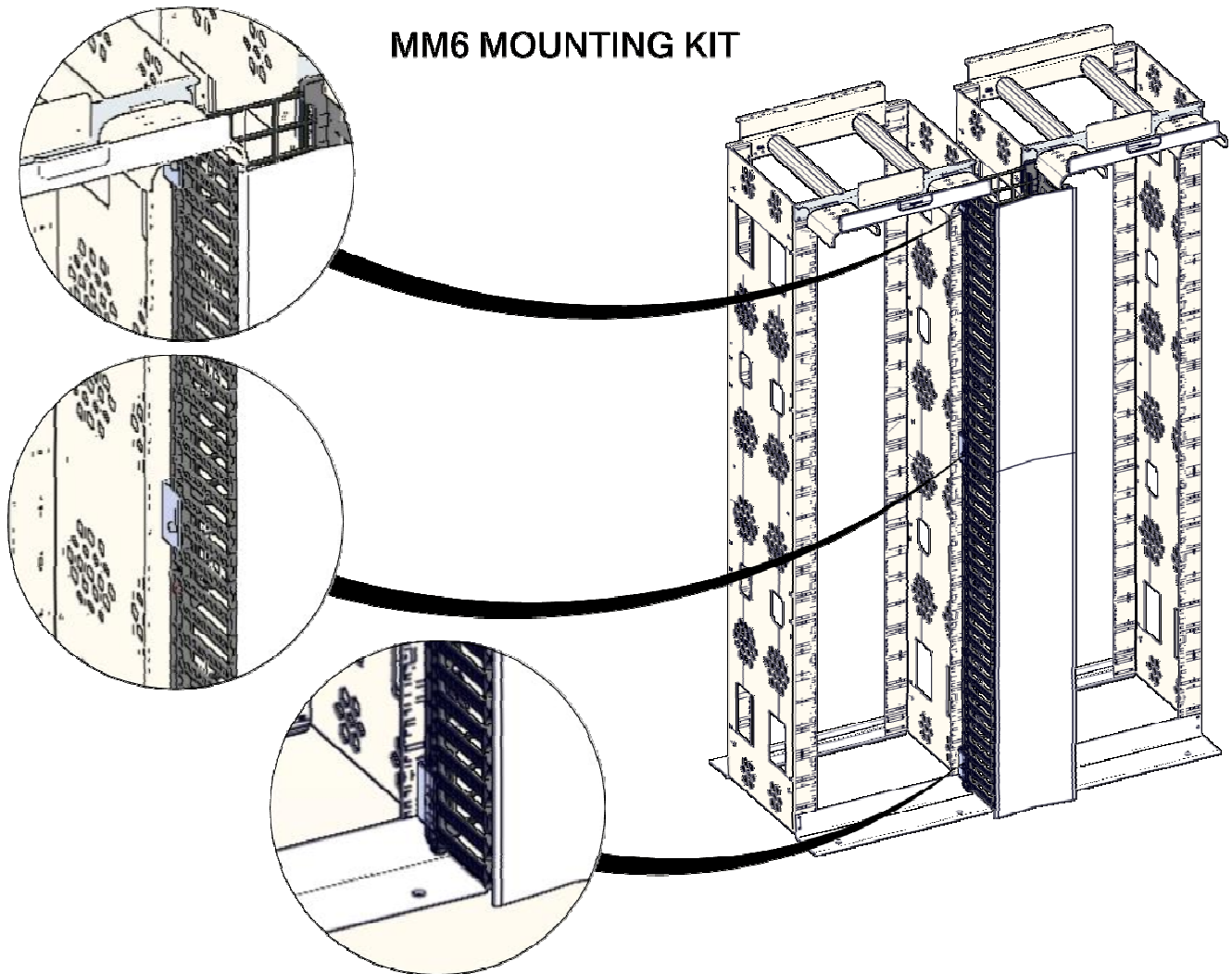
ATTACH PHILIPS HEAD SCREW,
EXTERNAL TOOTH L'WASHER, &
SELF LOCATING SHOULDER
WASHER



THE 6 & 7 FOOT VERTICAL MANAGER HAS (3X) MOUNTING LOCATIONS
THE 8 FOOT VERTICAL MANAGER HAS (4X) MOUNTING LOCATIONS

5. ASSEMBLY STEPS Q-SERIES SINGLE SIDED VERTICAL MANAGER TO MM6 RACK SYSTEM:

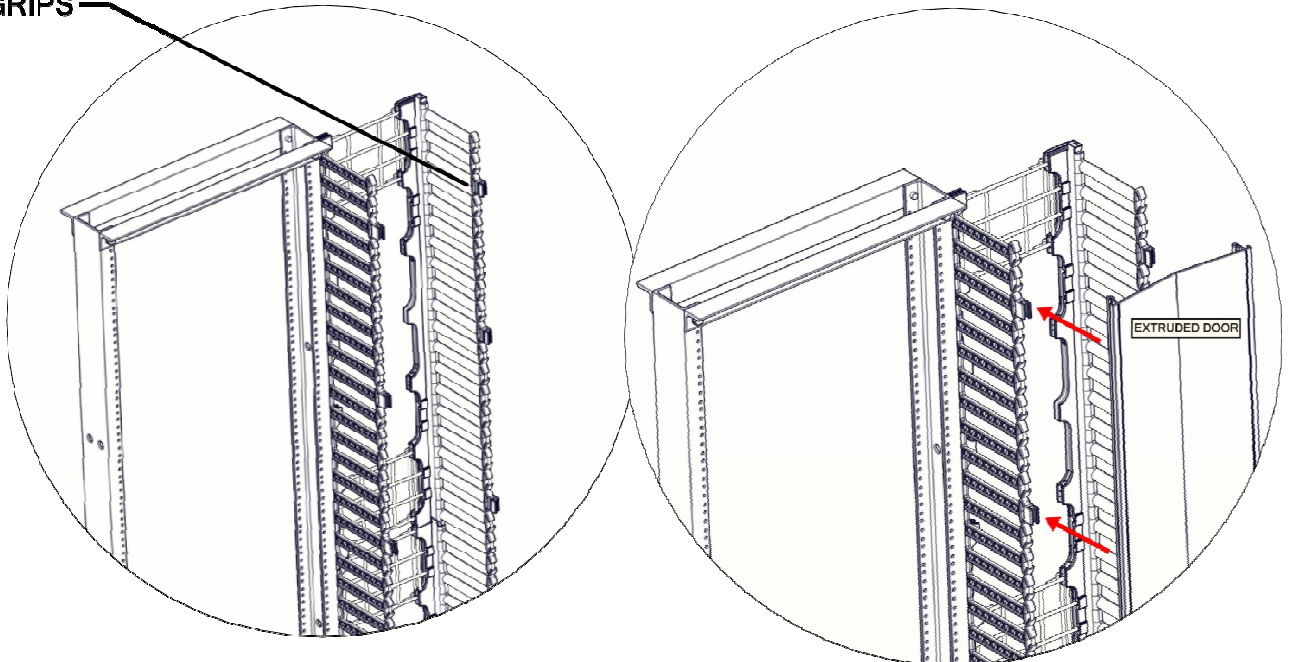
1. ASSEMBLE THE HALF SECTIONS AS PREVIOUSLY INSTRUCTED IN THE SINGLE SIDED VERTICAL MANAGER / STANDARD EIA RACK SECTION.
2. FOR COMPLETE PROCEDURES REFER TO INSTALLATION INSTRUCTIONS INCLUDED IN Q-SERIES VERTICAL MANAGER TO MM6 ENHANCED RACKING SYSTEM MOUNTING KIT.



6. ASSEMBLE THE Q-SERIES MANAGER DOORS AND BADGE:

1. NOTE FINGER DOOR GRIP LOCATIONS AND APPROXIMATE CENTER OF THE DOOR. GRIP FINGER AND DOOR PANEL SQUEEZE TOGETHER UNTIL DOUBLE CLICK IS HEARD.
2. NOTE: THE 7FT Q-SERIES VERTICAL MANAGER HAS 2 DIFFERENT LENGTH DOORS (3 FOOT & 4 FOOT)
3. INSTALL LEGRAND BADGE TO TOP DOOR.

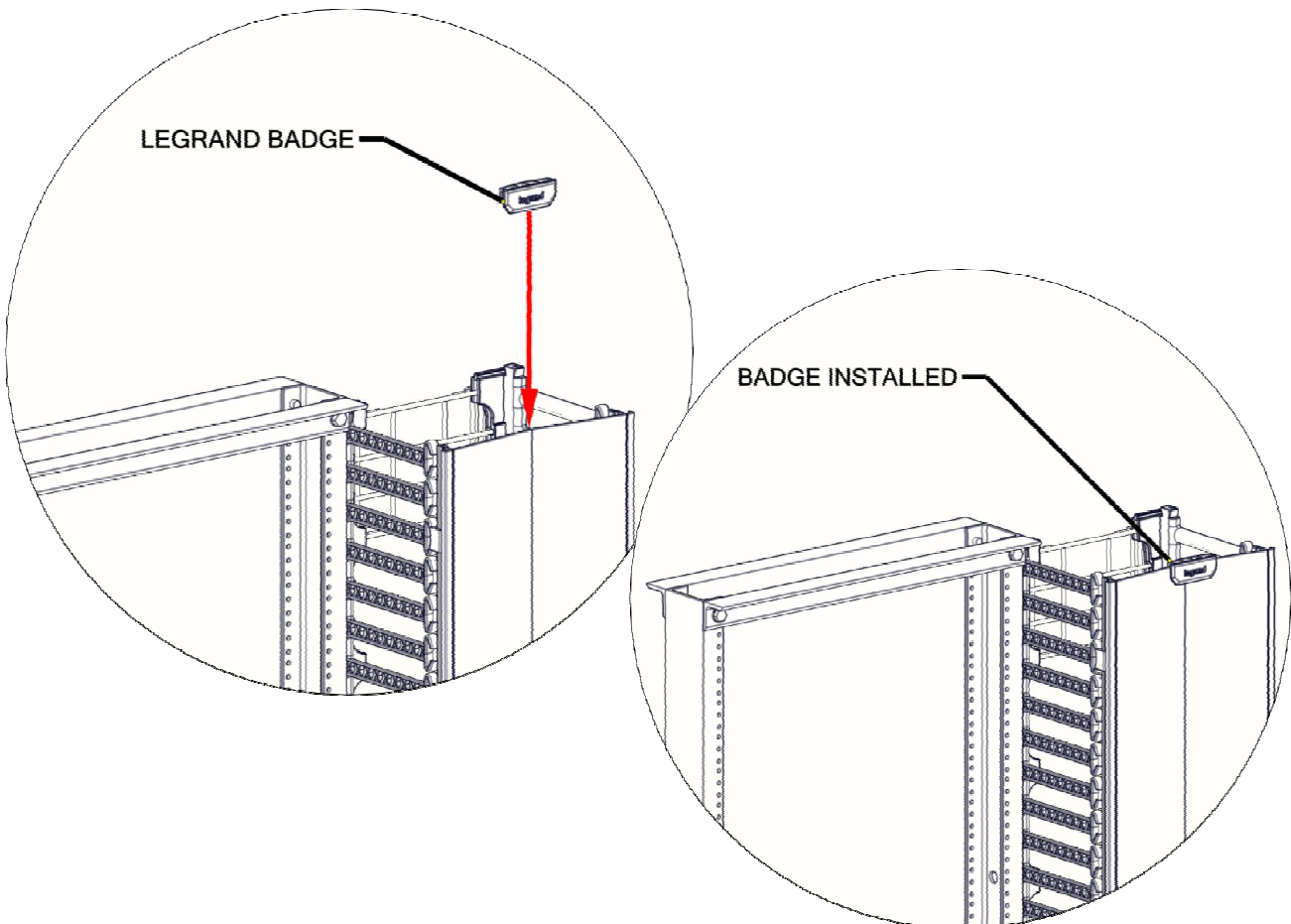
DOOR GRIPS



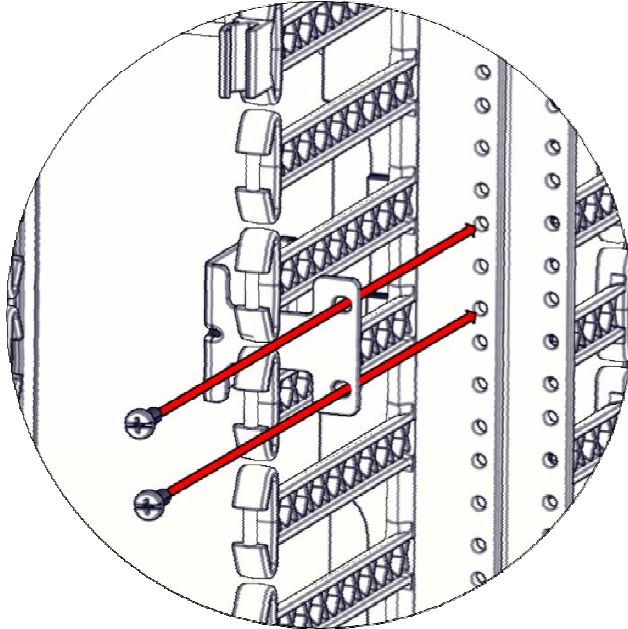
6. ASSEMBLE THE Q-SERIES MANAGER DOORS AND BADGE

4. INSTALL LEGRAND BADGE TO TOP OF DOOR.

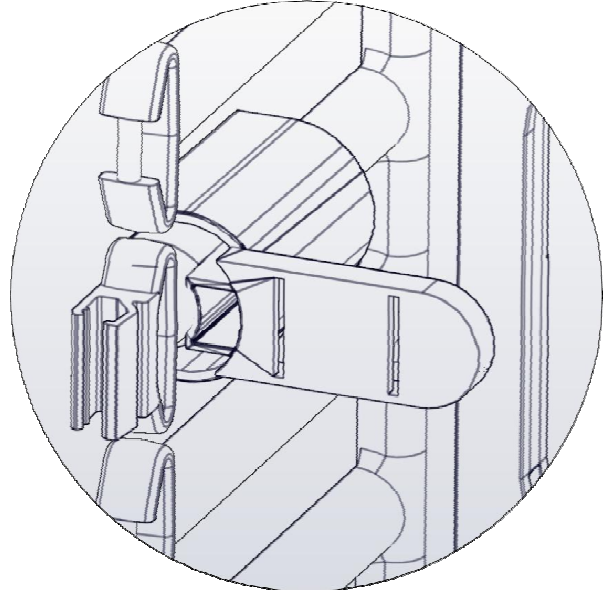
LEGRAND BADGE



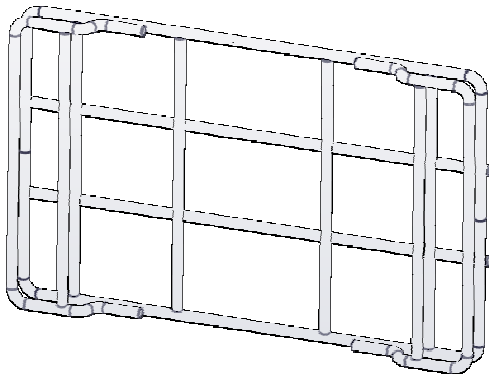
7. AVAILABLE ACCESSORIES:



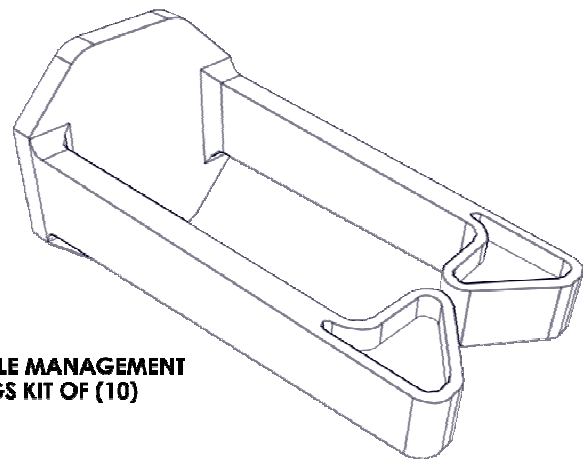
END OF ROW SUPPORT KIT



BEND LIMITER KIT



**KIT(S) EXTRA CAGE CONSISTS OF (4X)
AVAILABLE IN 4, 6, 10, 12 INCH
WIDE VERSIONS**



**CABLE MANAGEMENT
RINGS KIT OF (10)**