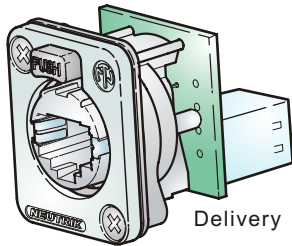




ASSEMBLY INSTRUCTION

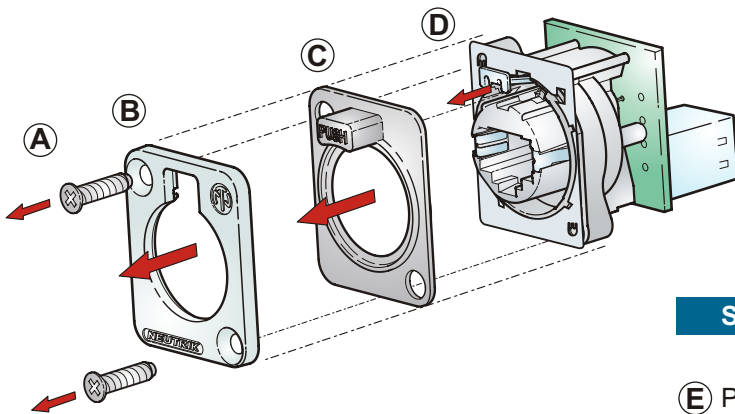
etherCON - NE8FDP-SE | "Waterproof Receptacle"



Delivery

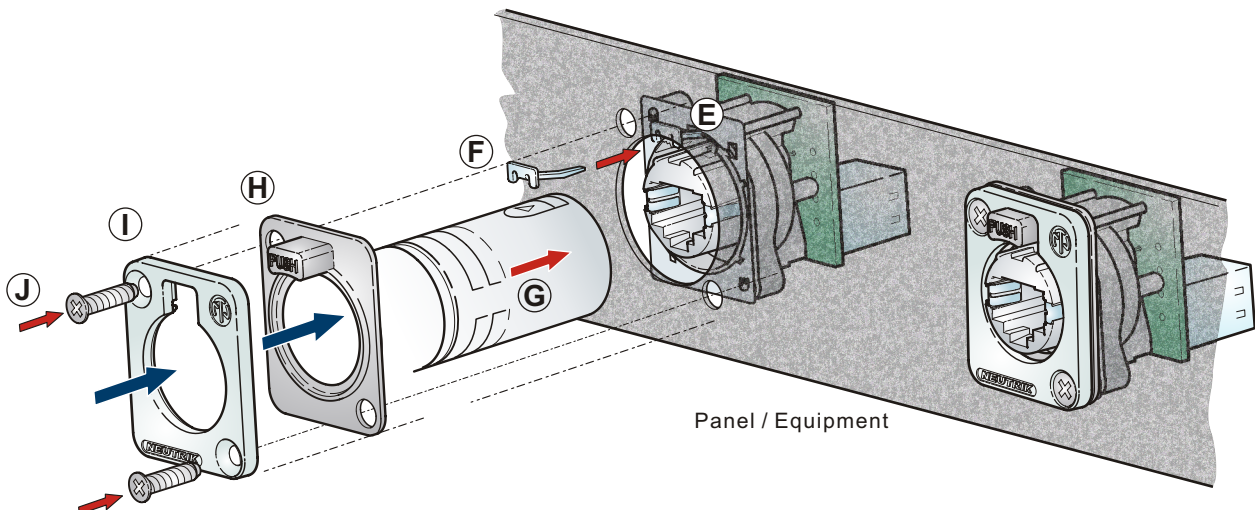
Step 1: Separate the connector

- (A) Untighten the screw.
- (B) Remove the flange
- (C) and gasket.
- (D) Remove the "PUSH" Lever from the receptacle.



Step 2: Assembly

- (E) Position the receptacle onto the panel.
- (F) Insert "PUSH" Lever till the end stop.
- (G) Position a cable housing for centering the kit.
- (H) Position the rubber gasket.
- (I) Finish the installation by mount the flange and
- (J) fasten the screw.



Panel / Equipment

NOTE: Lubricate sealing lip with silicon from time to time.

NEUTRIK AG LI T: +423 / 237 24 24 F: +423 / 232 53 93
NEUTRIK USA Inc. USA T: +1 704 / 972 3050 F: +1 704 / 438 9202
NEUTRIK (UK) Ltd. UK T: +44 1983 / 811 441 F: +44 1983 / 811 439
NEUTRIK Vertriebs GmbH DE/NL/AT/DK T: +49 8131 / 280 890 F: +49 8131 / 280 830

NEUTRIK France FR T: +33 1 / 4131 6750 F: +33 1 / 4131 0511
NEUTRIK Tokyo Ltd. JP T: +81 3 / 3663 4733 F: +81 3 / 3663 4796
NEUTRIK Hong Kong Ltd. HK T: +852 / 2687 6055 F: +852 / 2687 6052

Draft. Nr.: BDA 436 | Update: 03.02.2015 | Data subject to change without prior notice. ©2015 NEUTRIK®. ALL RIGHTS RESERVED.

www.neutrik.com

NEUTRIK®