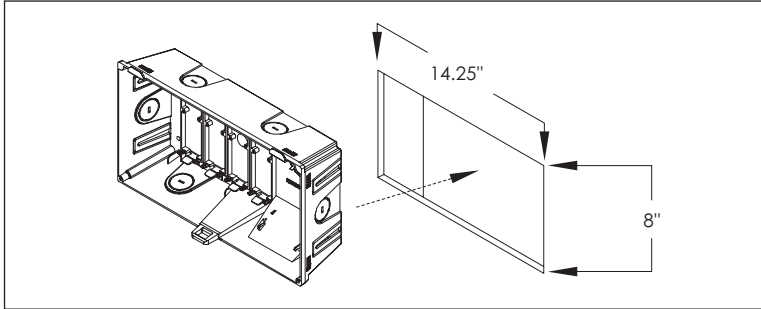


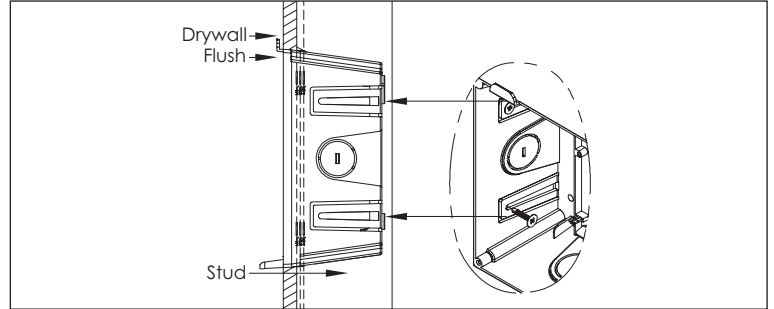


8" Net.Media™ Center Combo with Voice + Data

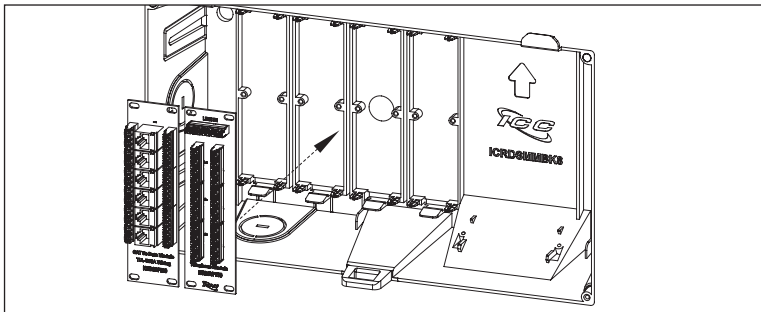
INSTALLATION INSTRUCTIONS



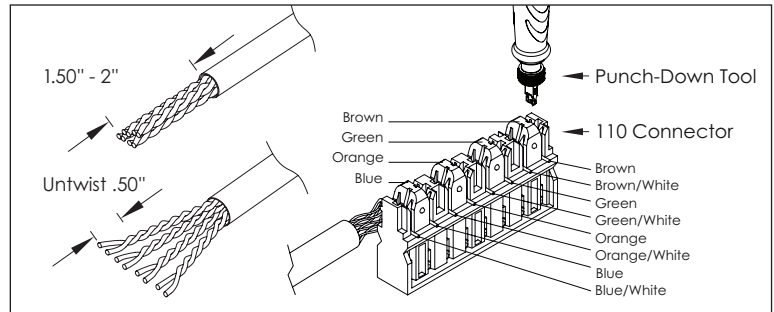
Step 1. Measure 14.25" width x 8" height and then cut an opening into the drywall. Place the enclosure into the opening.



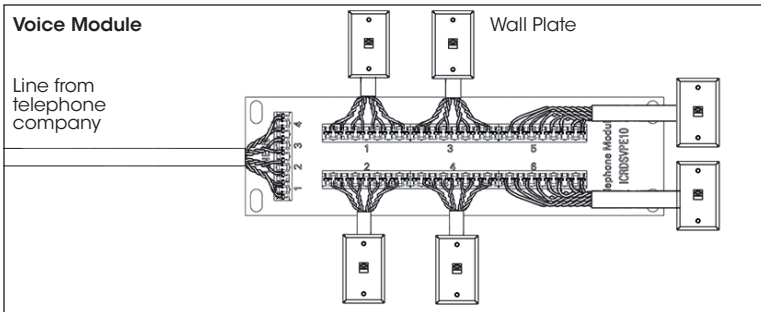
Step 2. Align the front of enclosure to be flush with the drywall or mounting surface. Once aligned, secure to the wall studs using the provided wood screws.



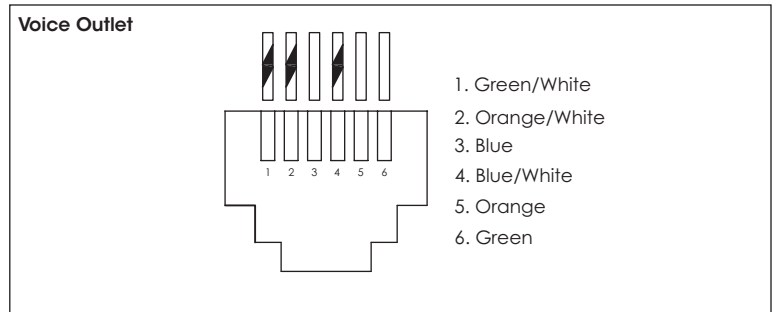
Step 3. Snap in the voice module in 1 of 4 available slots inside of the enclosure.



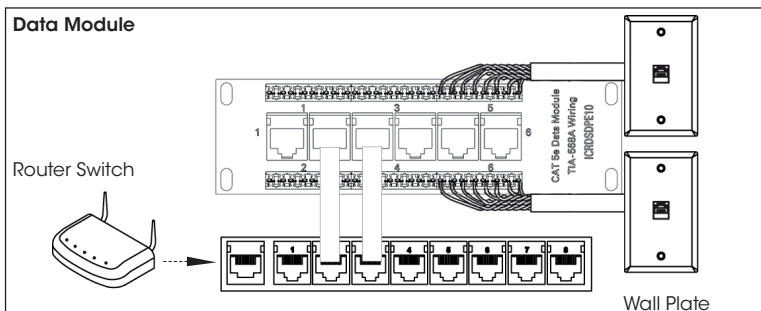
Step 4. To wire the telephone module, strip cable, place the wires into the IDC and terminate using a 110 punch-down tool. TIA-570 residential standard specifies T568A wiring. Note: One phone line per colored pair.



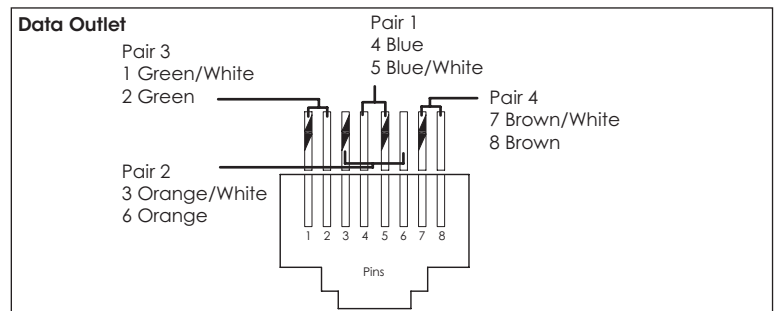
Step 5. Terminate the incoming phone line to the 110 IDC labeled "INPUT". Identify each outlet cable and terminate to 110 IDC labeled "1-6". Note: Line #1 = Blue; Line #2 = Orange; Line #3 = Green; Line #4 = Brown.



Note: Follow USOC wiring on 6P6C voice modular connectors to connect up to 3 phone lines per outlet.



Step 6. Terminate cables on the 4-Pair 110 connectors on the data module. Connect one end of a patch cord to the corresponding jack and the other end to the Ethernet router after identifying the port to activate.



Note: It is important to follow T568A wiring because it allows pair 1 and 2 to be used for phone applications, up to 2 lines.



8" Net.Media™ Center Combo with Voice + Data

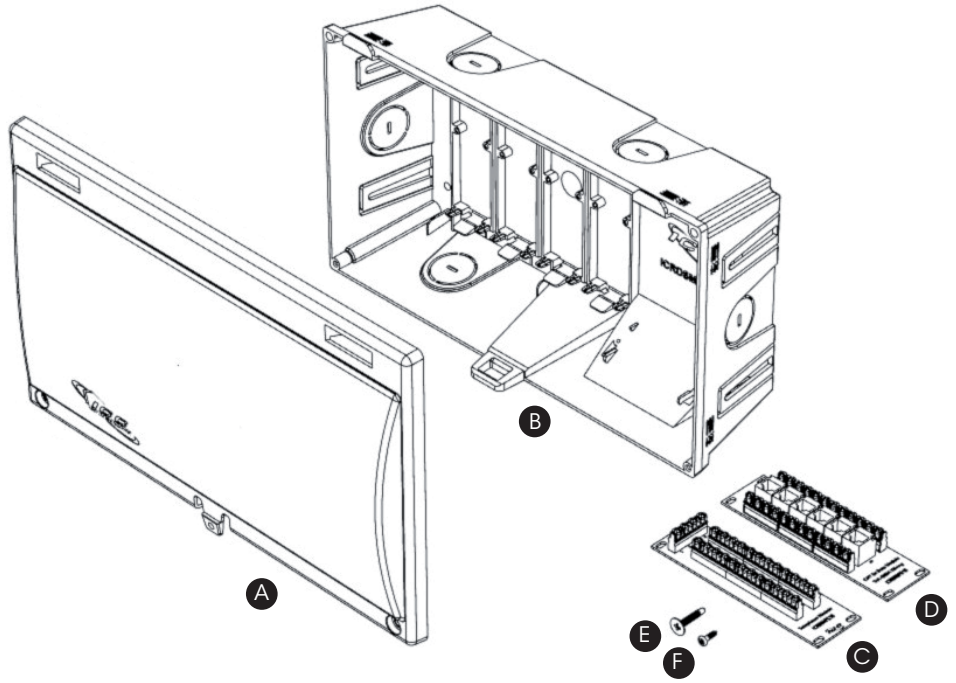
INSTALLATION INSTRUCTIONS

ICRDSMMAW8 • Single

- A Cover, 1 piece
- B 8" enclosure, 1 piece
- C Telephone module, 1 piece
- D Data module, 1 piece
- E #10-24 x 1" wood screws, 4 pieces
- F #6-12 x 12mm, tapping screw, 2 pieces

ICRDSMMBW8 • 6-Pack

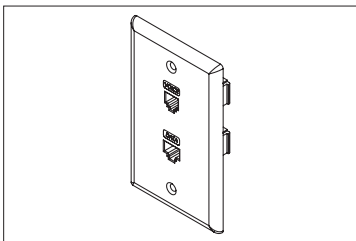
- A Cover, 6 pieces
- B 8" enclosure, 6 pieces
- C Telephone module, 6 pieces
- D Data module, 6 pieces
- E #10-24 x 1" wood screws, 24 pieces
- F #6-12 x 12mm, tapping screw, 12 pieces



FEATURES AND BENEFITS

- Snap-on cover and base are constructed of durable ABS plastic
- 6-Port bridged telephone module for connecting phones in 6 locations
- 6-Port CAT 5e data module for networking up to 6 computers
- Includes screws for mounting
- Designed with 1.40" knockouts on the top, bottom, and sides of the enclosure for routing cables

OPTIONAL ACCESSORIES

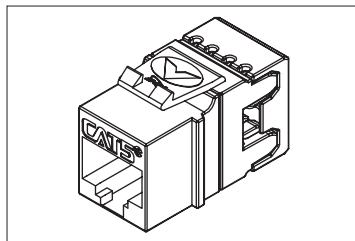


Integrated Voice+Data Faceplate

ICRDSV05WH

- Built with a 6P6C phone jack and a 8P8C data jack
- One-piece design
- No assembly required
- Durable ABS plastic body

Color = White

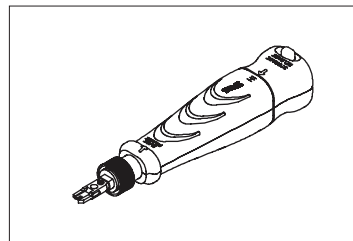


CAT 5e HD Modular Connector

IC1078F5xx*

- Exceeds TIA-568 performance standards
- 50 micro-inch gold plated contacts

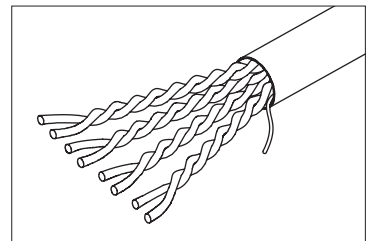
*Color (XX) = WH-White, IV-Ivory



Single Blade Punch-Down Tool

ICACSPDT00

- Single wire termination
- 110 IDC and 66 blocks
- Both blades included
- Adjustable impact settings
- Comfortable grip



CAT 5e UTP Premise Cables

ICCABP5Exx¹ CMP

ICCABR5Exx¹ CMR

- 4-Pair, 24 AWG
- Solid copper cable
- 1000 ft. EZ pull carton

¹xx denotes color = BL-Blue, GY-Gray, WH-White, YL-Yellow, GN-Green

888-ASK-4ICC

cs@icc.com

icc.com