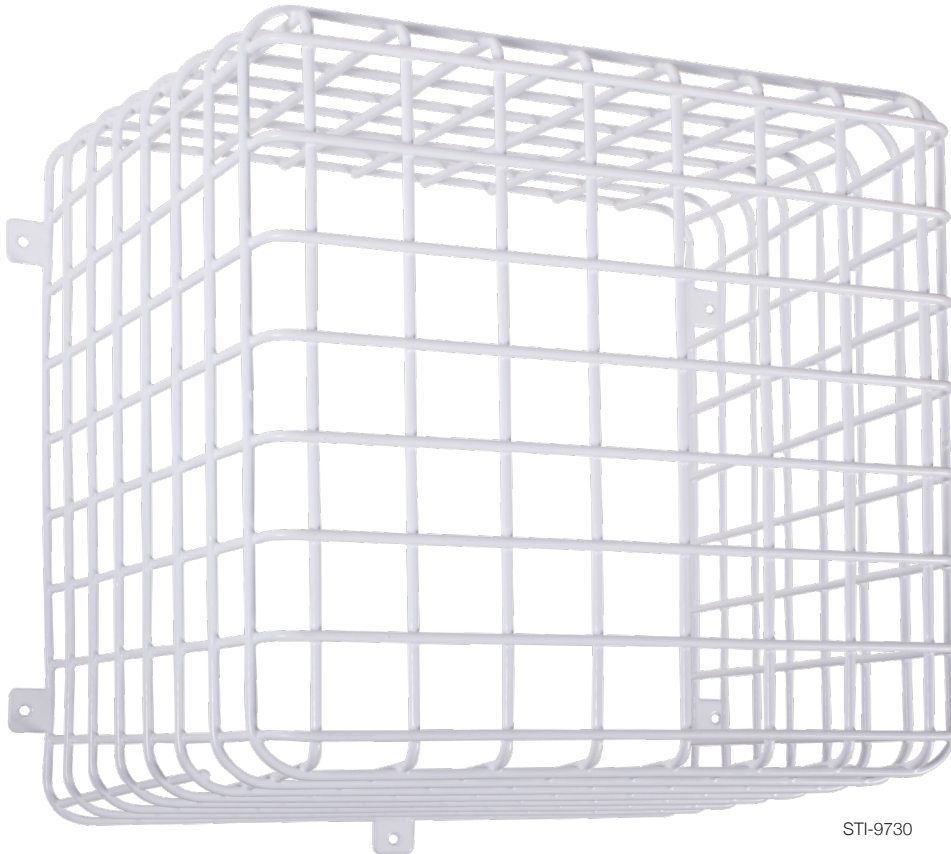


STI WIRE GUARD DAMAGE STOPPER®



STI-9730

PRODUCT OVERVIEW

These members of the STI Wire Guard Team were created in response to multiple requests from STI customers. Constructed of 9-gauge steel wire coated with corrosion resistant polyester. The size and sturdy steel construction make the multi use Damage Stoppers an easy choice for protecting a wide variety of sensitive equipment.

KEY FEATURES

General Information

- Guards protect a wide variety of devices against theft and vandalism.
- For use in controlled environment (not intended for outdoor use).
- Three year guarantee against breakage in normal use.

Construction

- Constructed of 9-gauge coated steel wire.
- Coated with corrosion resistant polyester.

Installation

- Fast and easy installation with all screws and anchors provided.

STI Wire Guard Damage Stopper®

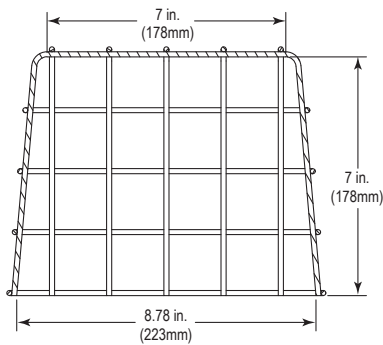
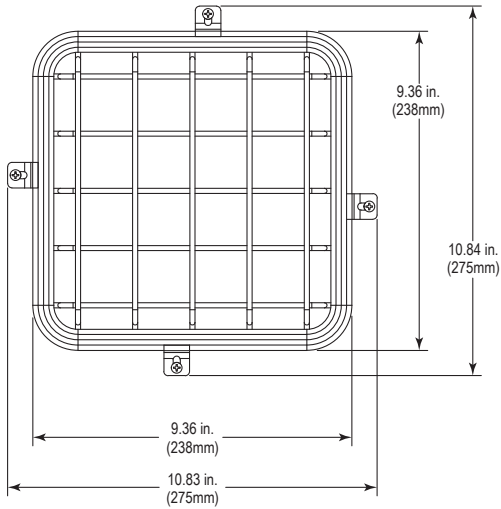
Dimensions and Technical Information

MODELS AVAILABLE

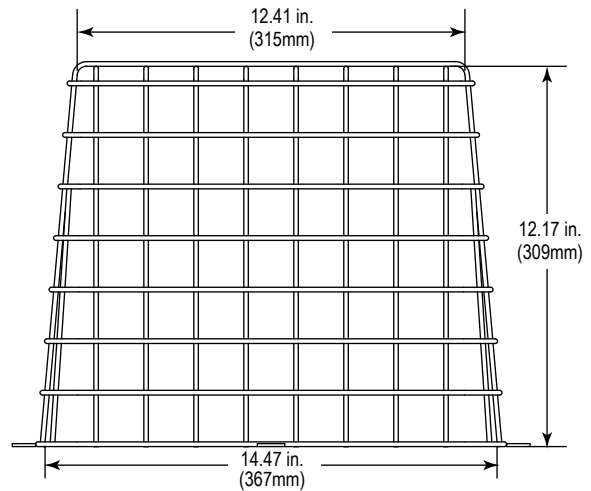
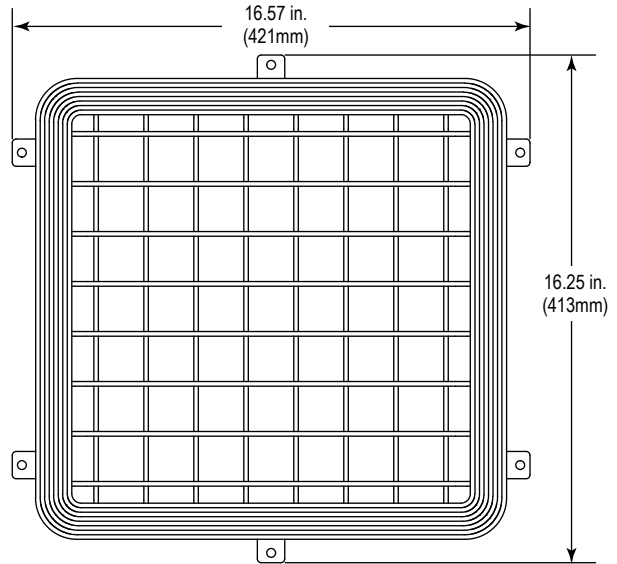
STI-9729	7 x 7 x 7"
STI-9730	12 x 12 x 12"
STI-9730-BK	12 x 12 x 12" - Black
STI-9731	12 x 12 x 8"
STI-9731-BK	12 x 12 x 8" - Black
STI-9732	18 x 15 x 13"

WARRANTY

Three year guarantee against breakage in normal use.



STI-9729



STI-9730



Safety Technology International

2306 Airport Road info@sti-usa.com
Waterford, MI www.sti-usa.com
48327, USA Tel: 248-673-9898

Taylor House
34 Sherwood Rd., Bromsgrove,
Worcs., B60 3DR, England

info@sti-emea.com
www.sti-emea.com
Tel: +44 (0) 1527 520 999

Unit 7A Lockheed Avenue
Airport Business Park
Waterford X91 HWF2 Ireland