

4 3 2 1

D

C

B

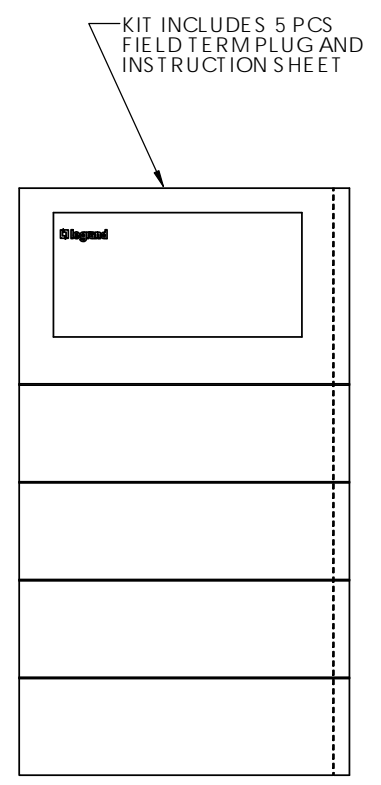
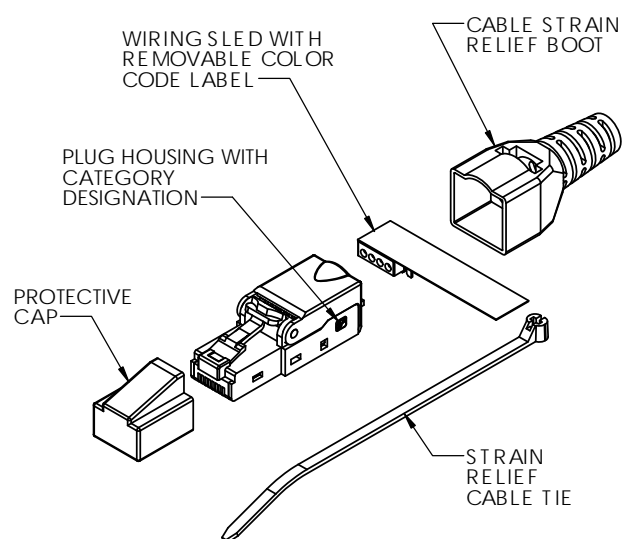
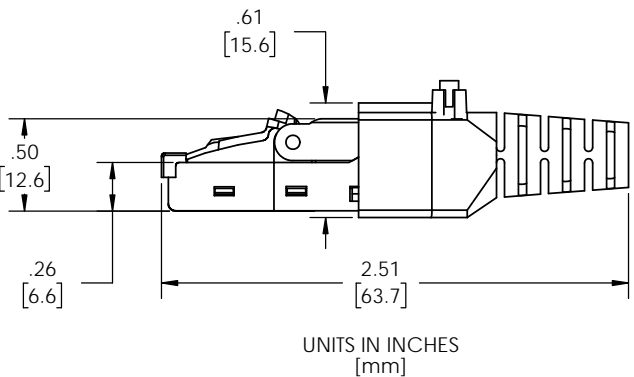
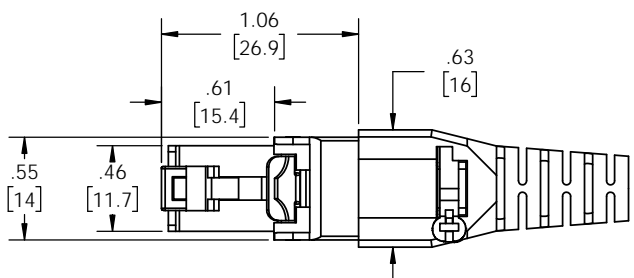
A

D

C

B

A



NOTES,

1. KIT INCLUDES 5 PCS FIELD TERM PLUG.
2. TRANSMISSION PERFORMANCE CAT 6A \ CLASS EA.
3. CURRENT RATING = 1.5A.
4. WIRING TIA 568A/B AND PNO.
5. CONDUCTOR RANGE:
 SOLID = 22 TO 26 AWG.
 STRANDED = 23 TO 26 AWG.
6. CABLE DIA. = .238" TO .354" (6-9mm)
7. UL LISTED 1863 CIRCUIT ACCESSORY.
8. UL RATED 2043 FOR PLENUM SPACES.
9. POE+ AND 4PPoE CERTIFIED.

*** NOTICE ***
 THIS DOCUMENT CONTAINS CONFIDENTIAL AND/OR PROPRIETARY INFORMATION INTENDED FOR USE ONLY BY THE INDIVIDUAL(S) PROVIDED. NEITHER THIS DOCUMENT, NOR ANY INFORMATION CONTAINED HEREIN, MAY BE COPIED, DISTRIBUTED, DISCLOSED TO ANY THIRD PARTY OR USED IN ANY MANNER OTHER THAN FOR WHICH IT HAS BEEN PROVIDED, WITHOUT THE PRIOR WRITTEN CONSENT OF LEGRAND, INC. MANUFACTURING RELEASE. PRODUCT SPECIFICATIONS AND STANDARDS ARE SUBJECT TO CHANGE WITHOUT NOTICE.



TITLE
 UTP CAT6A/CLASS EA FIELD TERM PLUG, KIT OF 5 PCS

	NAME	DATE	SIZE	CAD FILE	DWG NO	REV
DWN	VKN	10/7/2016	B	FTPUC6A5PKC	FTPUC6A-5PK	02
CHK	KC	10/7/2016	SCALE 3:2		SHEET 1 OF 1	
APPR	GJL	10/7/2016				

4 3 2 1