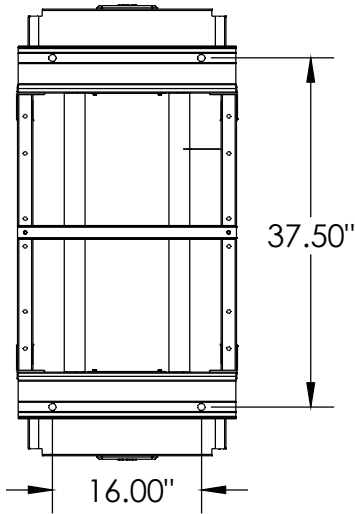
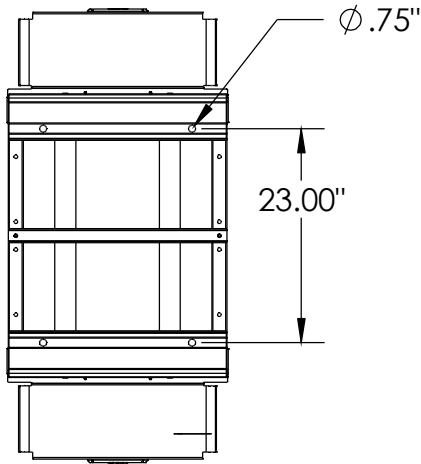


MOUNTING HOLE LOCATIONS

BASE ANGLES FACING OUTWARD

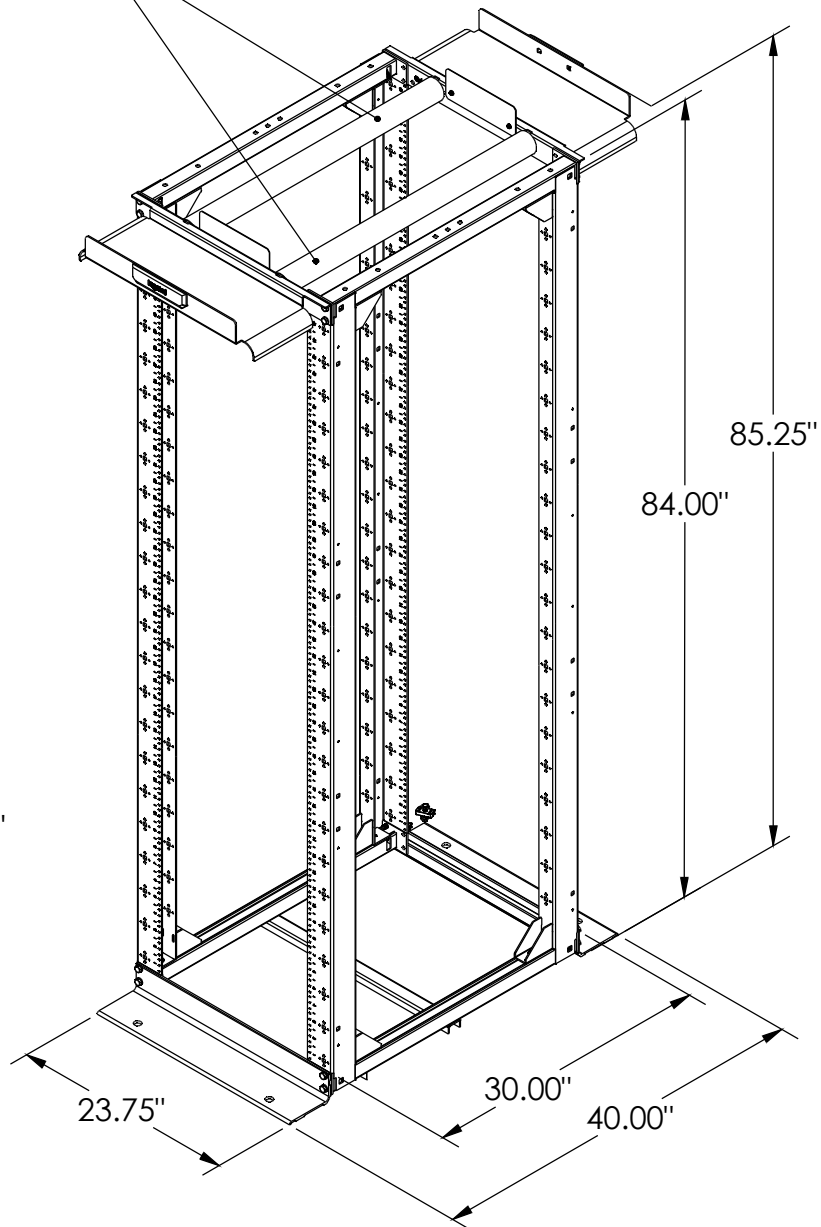


BASE ANGLES FACING INWARD



TESTED TO UL2416 WITH A WEIGHT LOAD OF 2000LBS.

BEND LIMITER KITS (MM20BLK'S) SOLD SEPARATELY



PART NUMBER DESIGNATIONS	
PART NUMBER	"X" DENOTES FINISH
MM20730ADJ12-B	BLACK
MM20730ADJ12-W	WHITE

*** NOTICE ***
 THIS DOCUMENT CONTAINS CONFIDENTIAL AND/OR PROPRIETARY INFORMATION INTENDED FOR USE ONLY BY THE INDIVIDUAL(S) PROVIDED. NEITHER THIS DOCUMENT, NOR ANY INFORMATION CONTAINED HEREIN, MAY BE COPIED, DISTRIBUTED, DISCLOSED TO ANY THIRD PARTY OR USED IN ANY MANNER OTHER THAN FOR WHICH IT HAS BEEN PROVIDED, WITHOUT THE PRIOR WRITTEN CONSENT OF LEGRAND, INC. MANUFACTURING RELEASE, PRODUCT SPECIFICATIONS AND STANDARDS ARE SUBJECT TO CHANGE WITHOUT NOTICE.



WWW.LEGRAND.US

TITLE
MM20, 4-POST 30" ADJUSTABLE RACK, 7FT, 12-24 TAPPED

DWN	LWJ	5/17/2016	SIZE A	CAD FILE MM20730ADJ12XC	DWG NO MM20730ADJ12-X	REV 05
CHK	JQ	5/17/2016	SCALE 1:24	WEIGHT	SHEET 1 OF 1	
APPR	CV	5/17/2016				