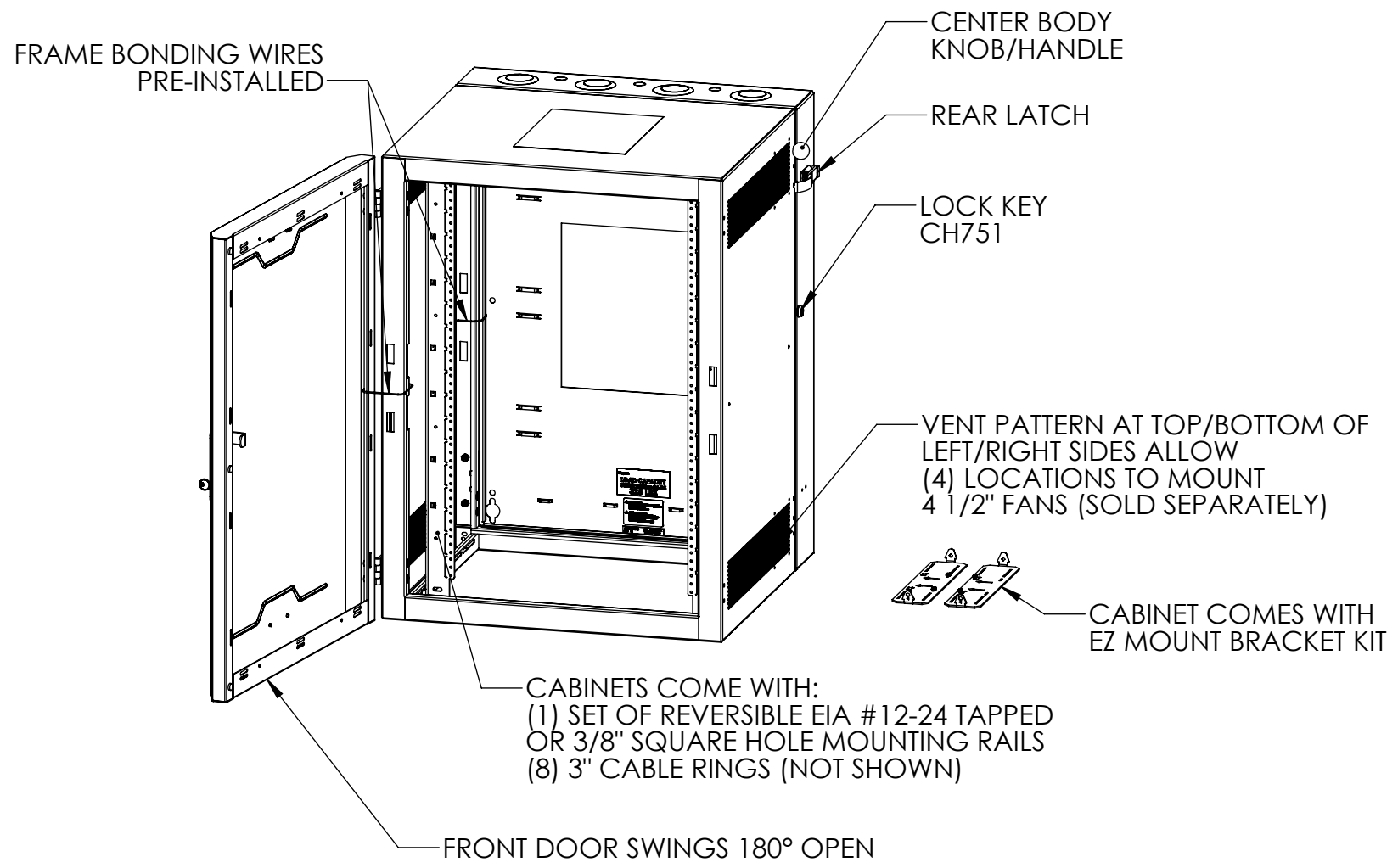


SWM-R CABINETS					
PART NUMBER	"WW" = RU's	"XX" = DOOR TYPE	"Z" = FINISH	"A" = OVERALL HEIGHT	"B" = MOUNTING HOLE HEIGHT
SWMR12RUSD-26-26	12RU	SOLID	BLACK	24.88"	21.42"
SWMR12RUPD-26-26	12RU	PERF	BLACK	24.88"	21.42"
SWMR12RUPL-26-26	12RU	PLEXI	BLACK	24.88"	21.42"
SWMR18RUSD-26-26	18RU	SOLID	BLACK	35.38"	31.92"
SWMR18RUPD-26-26	18RU	PERF	BLACK	35.38"	31.92"
SWMR18RUPL-26-26	18RU	PLEXI	BLACK	35.38"	31.92"
SWMR26RUSD-26-26	26RU	SOLID	BLACK	49.38"	45.92"
SWMR26RUPD-26-26	26RU	PERF	BLACK	49.38"	45.92"
SWMR26RUPL-26-26	26RU	PLEXI	BLACK	49.38"	45.92"

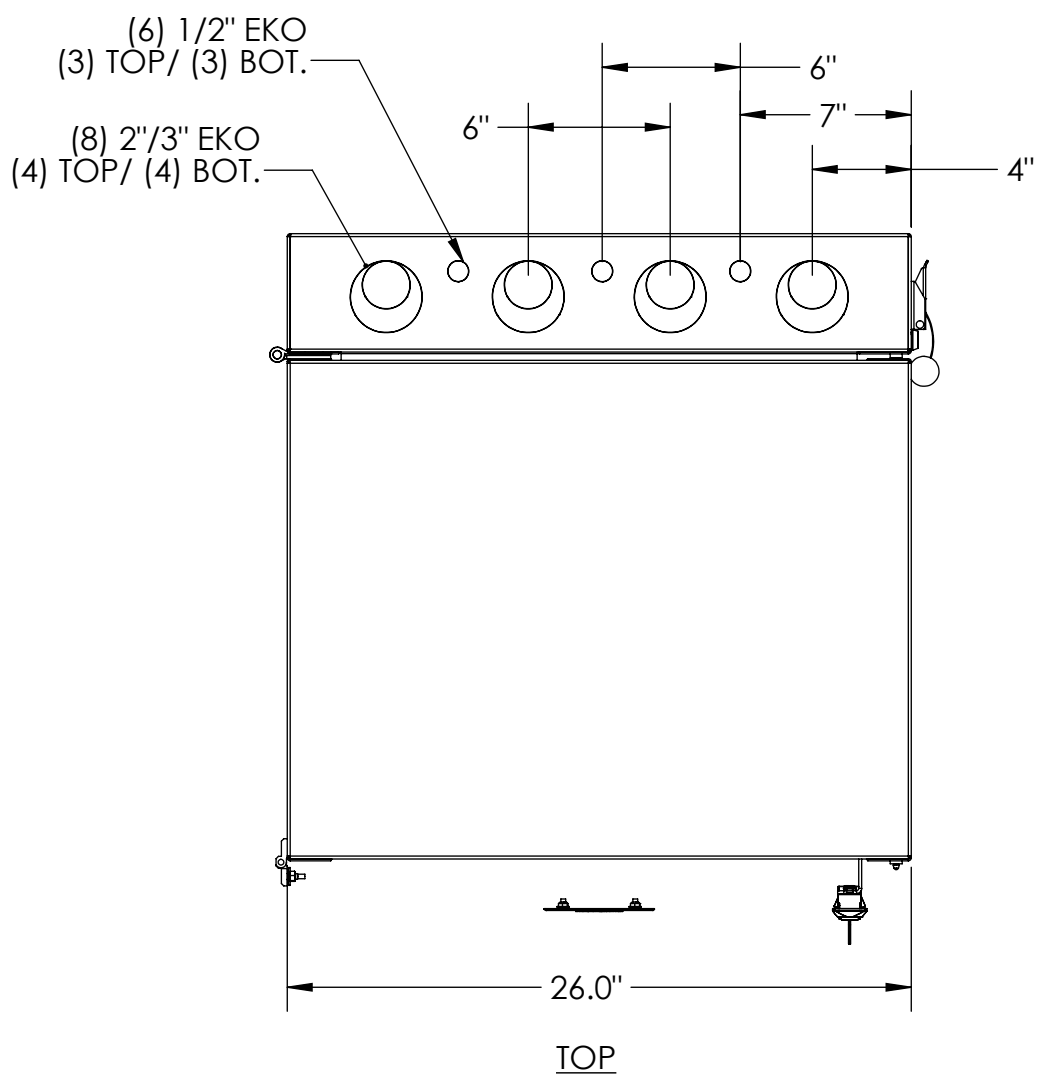
CABINETS ARE UL2416 LISTED  
**FUNCTIONAL LOAD RATINGS:**  
 12RU: 225 LBS  
 18RU: 325 LBS  
 26RU: 350 LBS



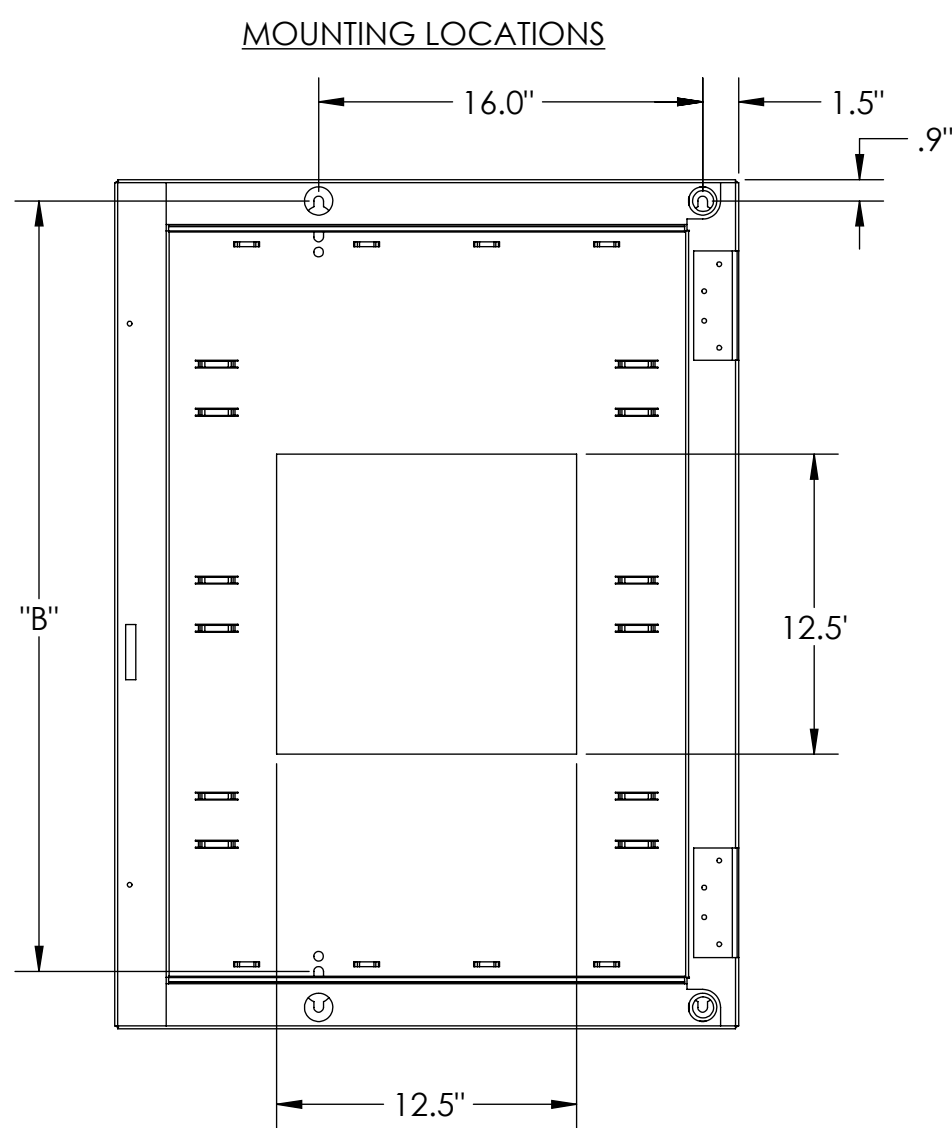
CABINETS COME WITH:  
 (1) SET OF REVERSIBLE EIA #12-24 TAPPED OR 3/8" SQUARE HOLE MOUNTING RAILS  
 (8) 3" CABLE RINGS (NOT SHOWN)

FRONT DOOR SWINGS 180° OPEN

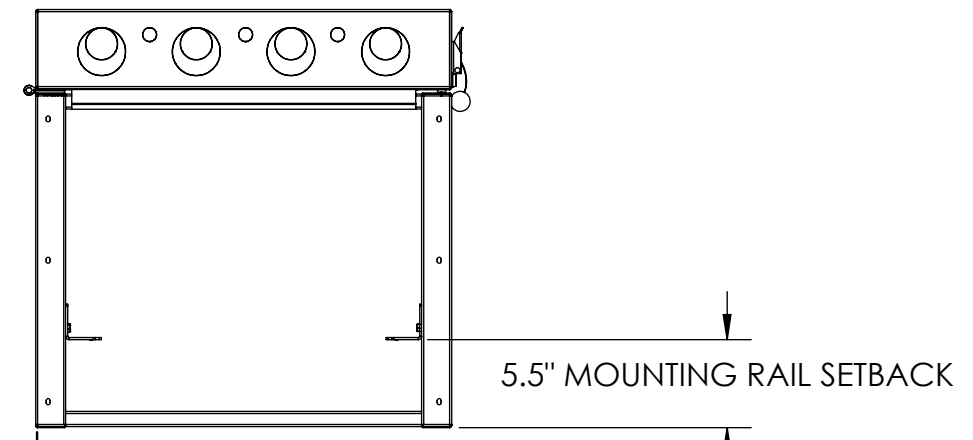
CABINET COMES WITH EZ MOUNT BRACKET KIT



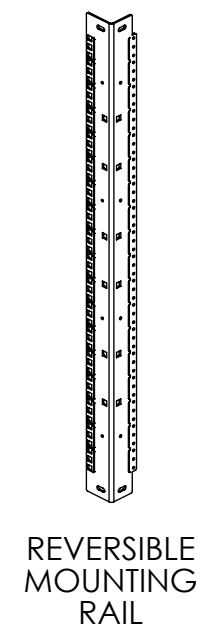
TOP



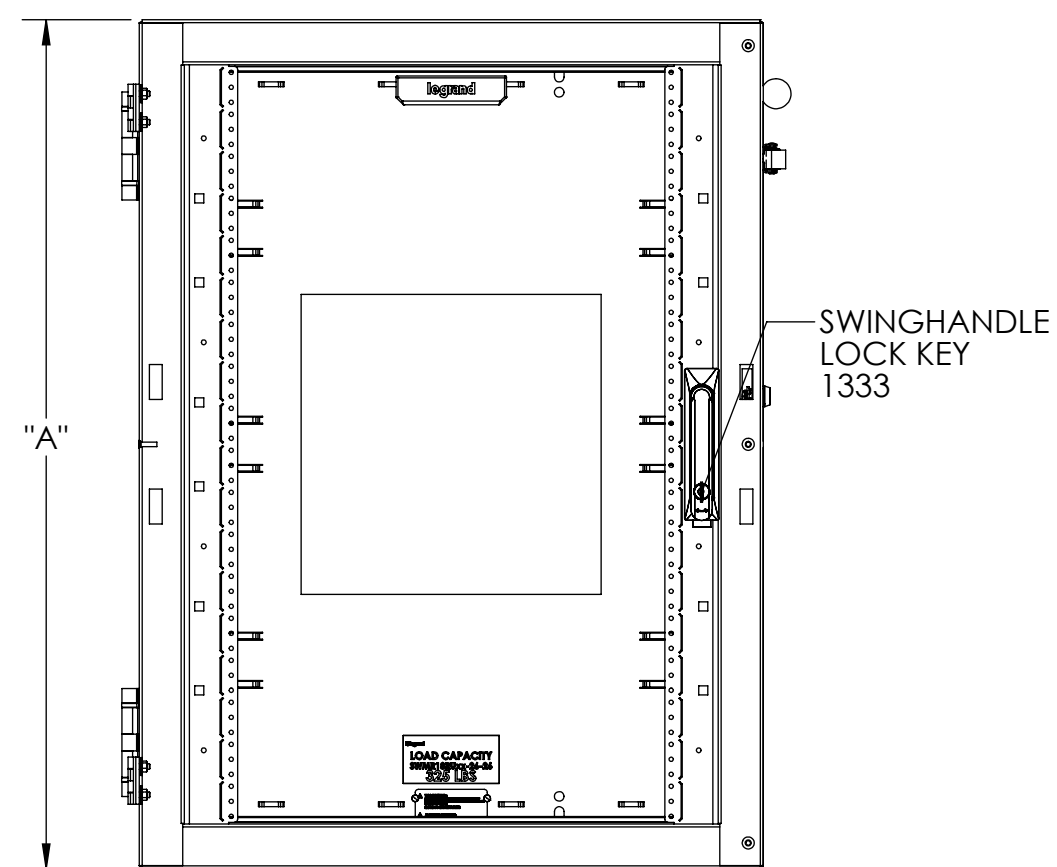
SIDE



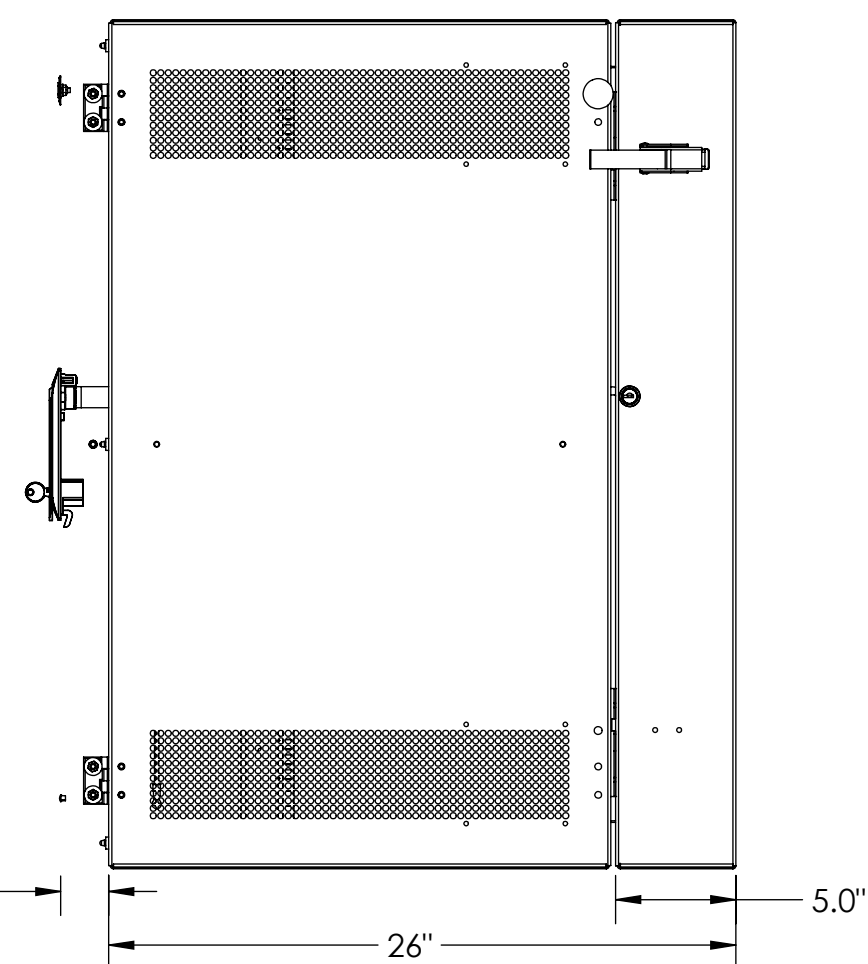
5.5" MOUNTING RAIL SETBACK



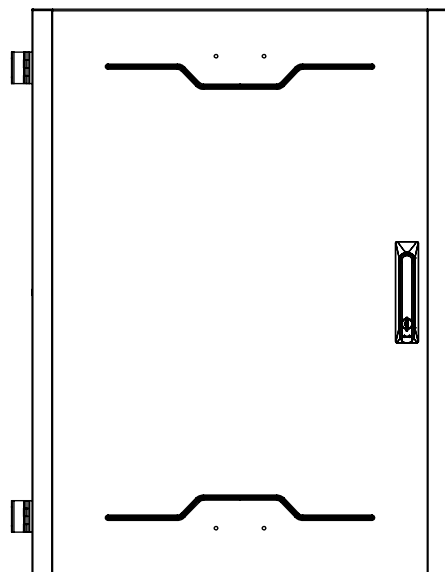
REVERSIBLE MOUNTING RAIL



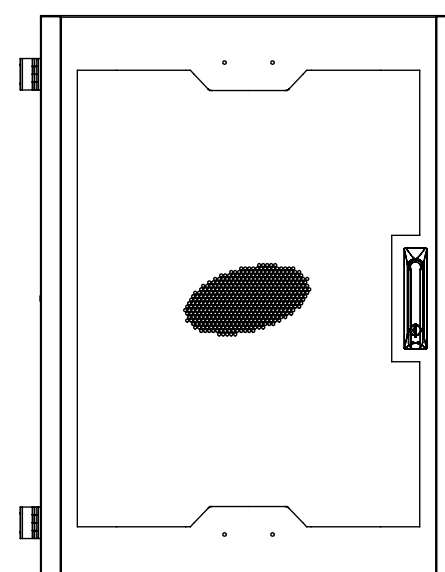
FRONT



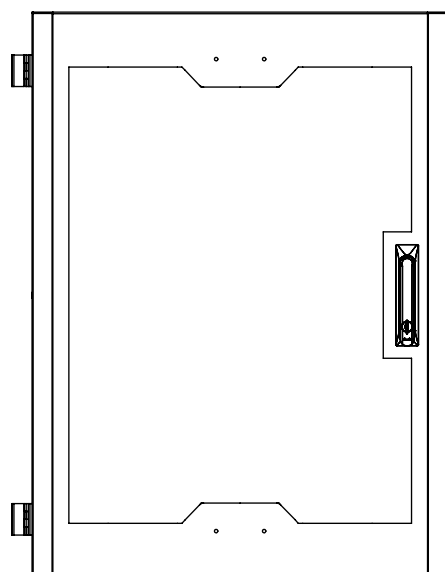
DOOR STYLES



SOLID



PERF



PLEXI

\*\*\* NOTICE \*\*\*  
 THIS DOCUMENT CONTAINS CONFIDENTIAL AND/OR PROPRIETARY INFORMATION INTENDED FOR USE ONLY BY THE INDIVIDUAL(S) PROVIDED. NEITHER THIS DOCUMENT, NOR ANY INFORMATION CONTAINED HEREIN, MAY BE COPIED, DISTRIBUTED, DISCLOSED TO ANY THIRD PARTY OR USED IN ANY MANNER OTHER THAN FOR WHICH IT HAS BEEN PROVIDED, WITHOUT THE PRIOR WRITTEN CONSENT OF LEGRAND, INC.

**legrand** WWW.LEGRAND.US

TITLE  
 SWMR CABINETS

DWN	MDQ	12/4/2018	SIZE C	CAD FILE SWMRWWRUXX2626C	DWG NO SWMRWWRUXX2626	REV 02
CHK	MM	12/4/2018	SCALE 1:8	SHEET		1 OF 1
APPR	CV	1/15/2020				