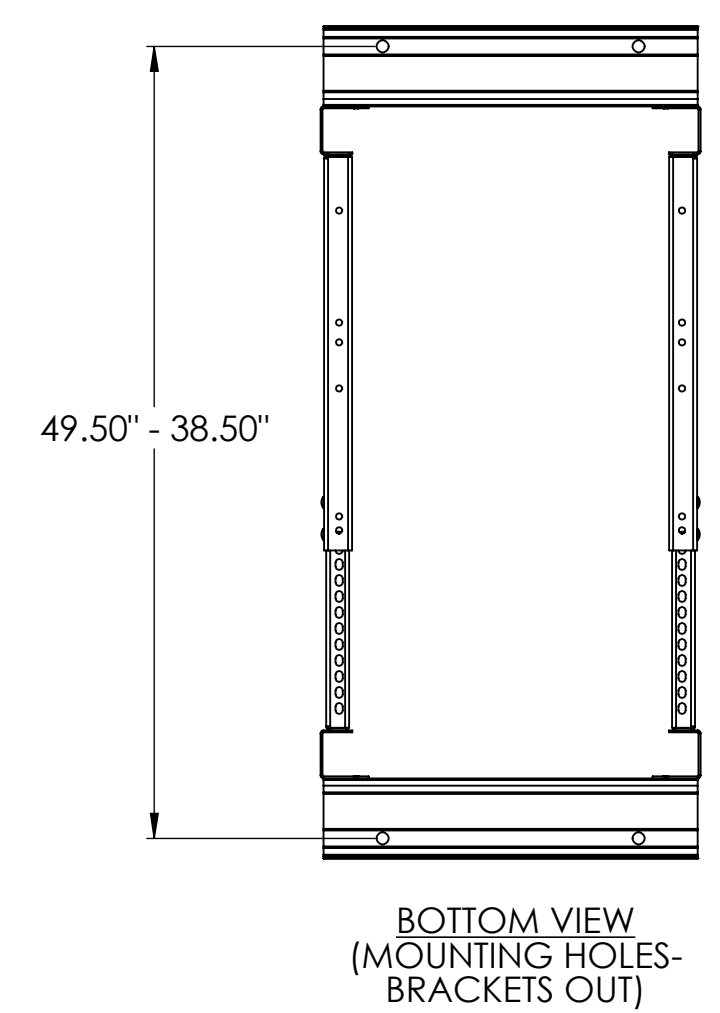
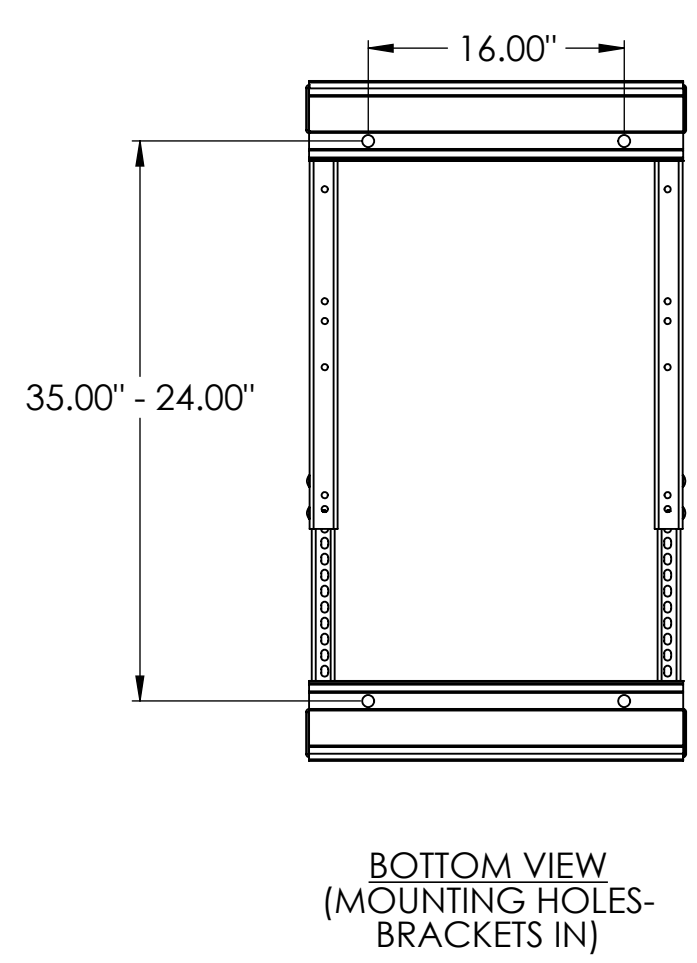
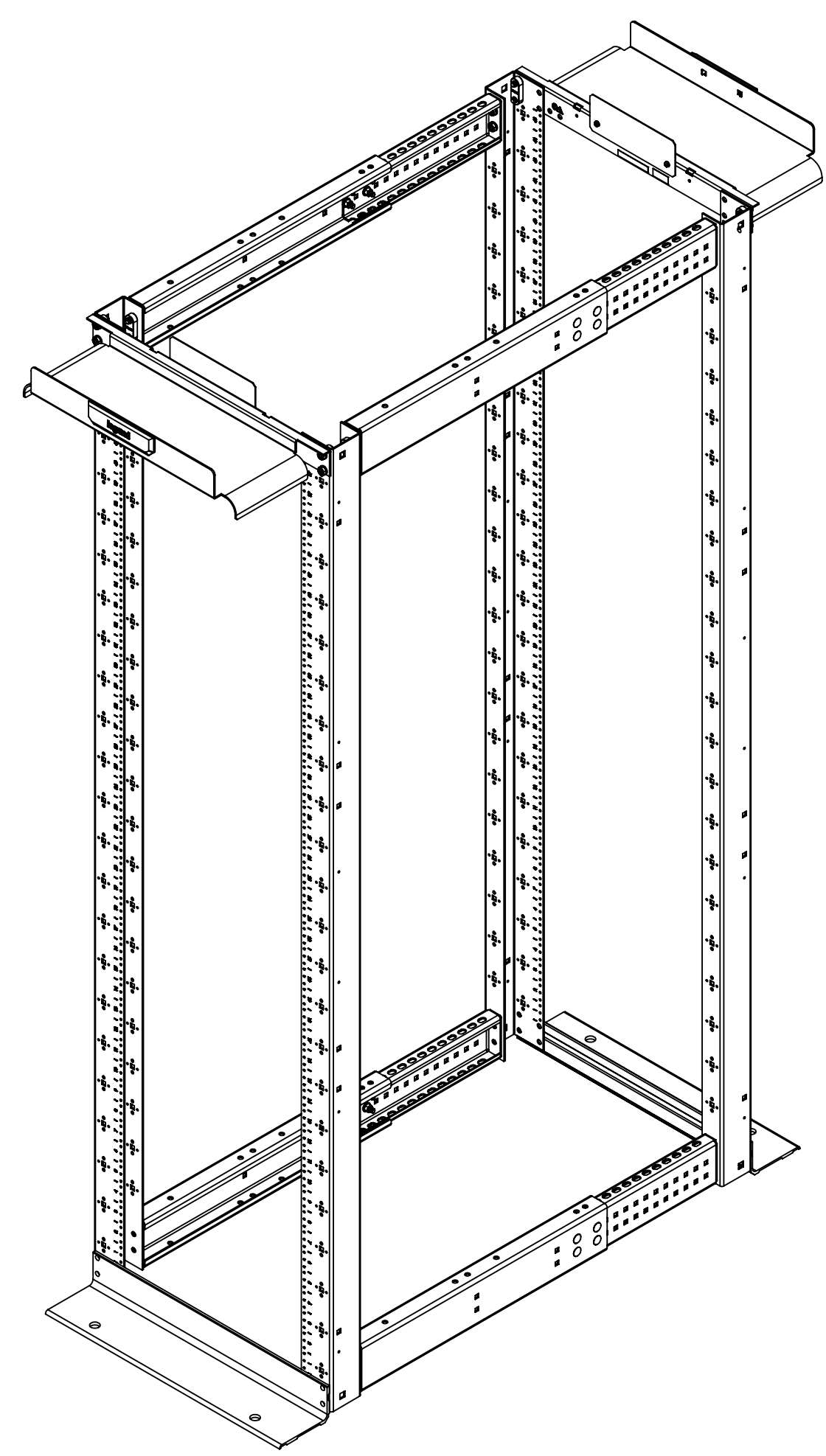
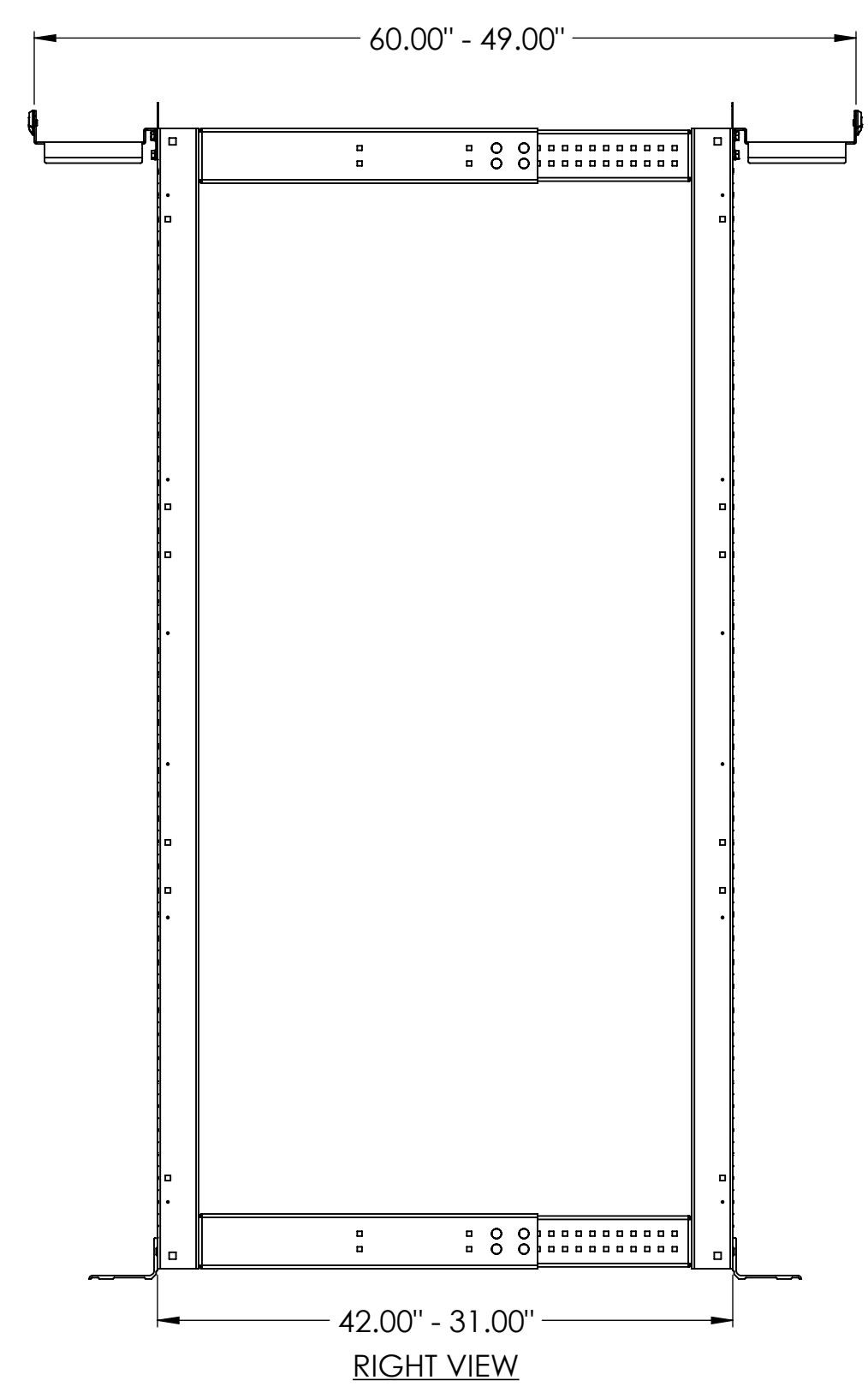
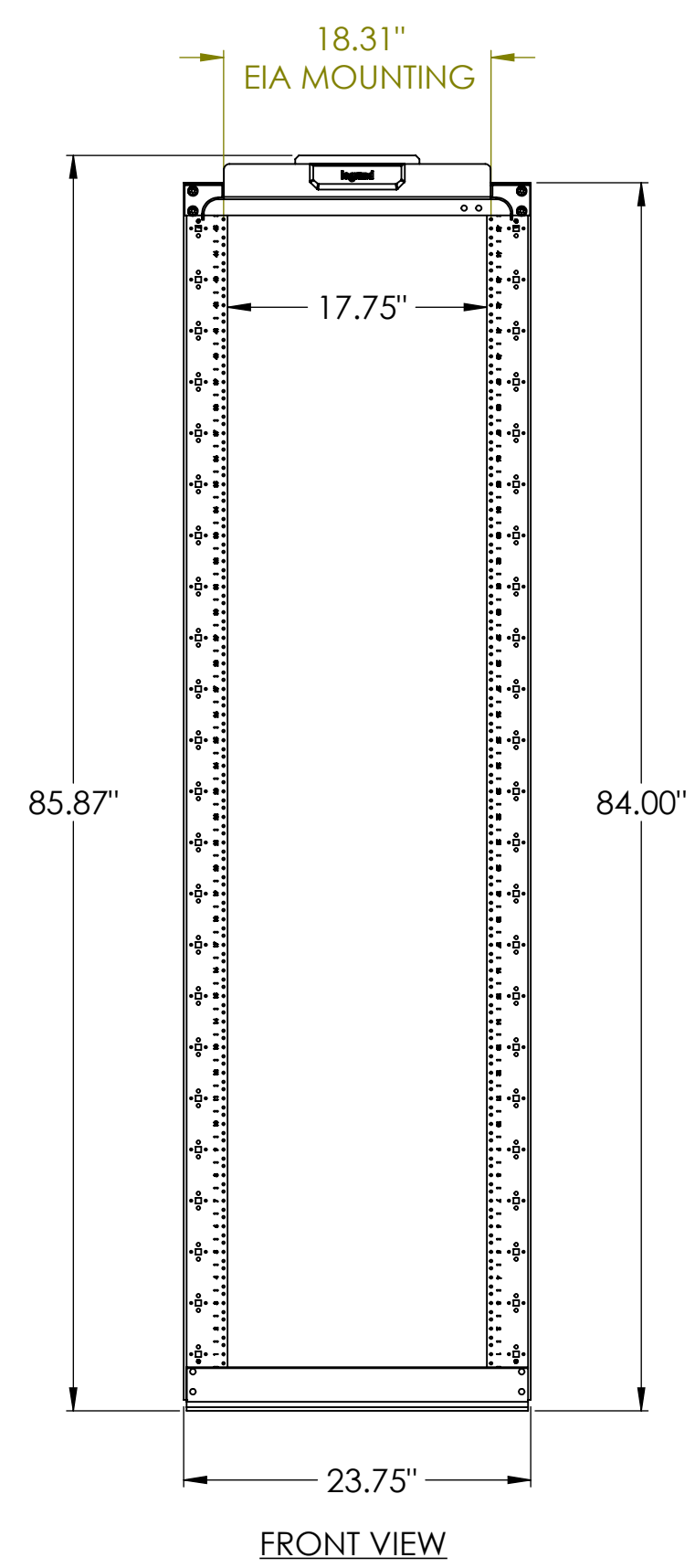


8 7 6 5 4 3 2 1

F
E
D
C
B
A

F
E
D
C
B
A



| PART NUMBER DESIGNATION | |
|-------------------------|--------|
| PART NUMBER | FINISH |
| MM2073142DAB12-B | BLACK |
| MM2073142DAB12-W | WHITE |

UL2416 LISTED AT 2000LBS

*** NOTICE ***
THIS DOCUMENT CONTAINS CONFIDENTIAL AND/OR PROPRIETARY INFORMATION INTENDED FOR USE ONLY BY THE INDIVIDUAL(S) PROVIDED. NEITHER THIS DOCUMENT, NOR ANY INFORMATION CONTAINED HEREIN, MAY BE COPIED, DISTRIBUTED, DISCLOSED TO ANY THIRD PARTY OR USED IN ANY MANNER OTHER THAN FOR WHICH IT HAS BEEN PROVIDED, WITHOUT THE PRIOR WRITTEN CONSENT OF LEGRAND INC. MANUFACTURING RELEASE. PRODUCT SPECIFICATIONS AND STANDARDS ARE SUBJECT TO CHANGE WITHOUT NOTICE.

| | | | | | | |
|------|------|--------------------|-------|------------------|------------------|--------|
| DWN | NAME | DATE | SIZE | CAD FILE | DWG NO | REV |
| CV | | 6/11/2021 | C | MM2073142DAB12XC | MM2073142DAB12-X | 00 |
| CHK | JM | 6/14/2021 | SCALE | 1:20 | SHEET | 1 OF 1 |
| APPR | CV | 10/11/2021/6/15/21 | | | | |

legrand® WWW.LEGRAND.US

TITLE
MM20 4 POST, 7FT, 31"-42" ADJUSTABLE DEPTH, #12-24 TAPPED MOUNTING

8 7 6 5 4 3 2 1