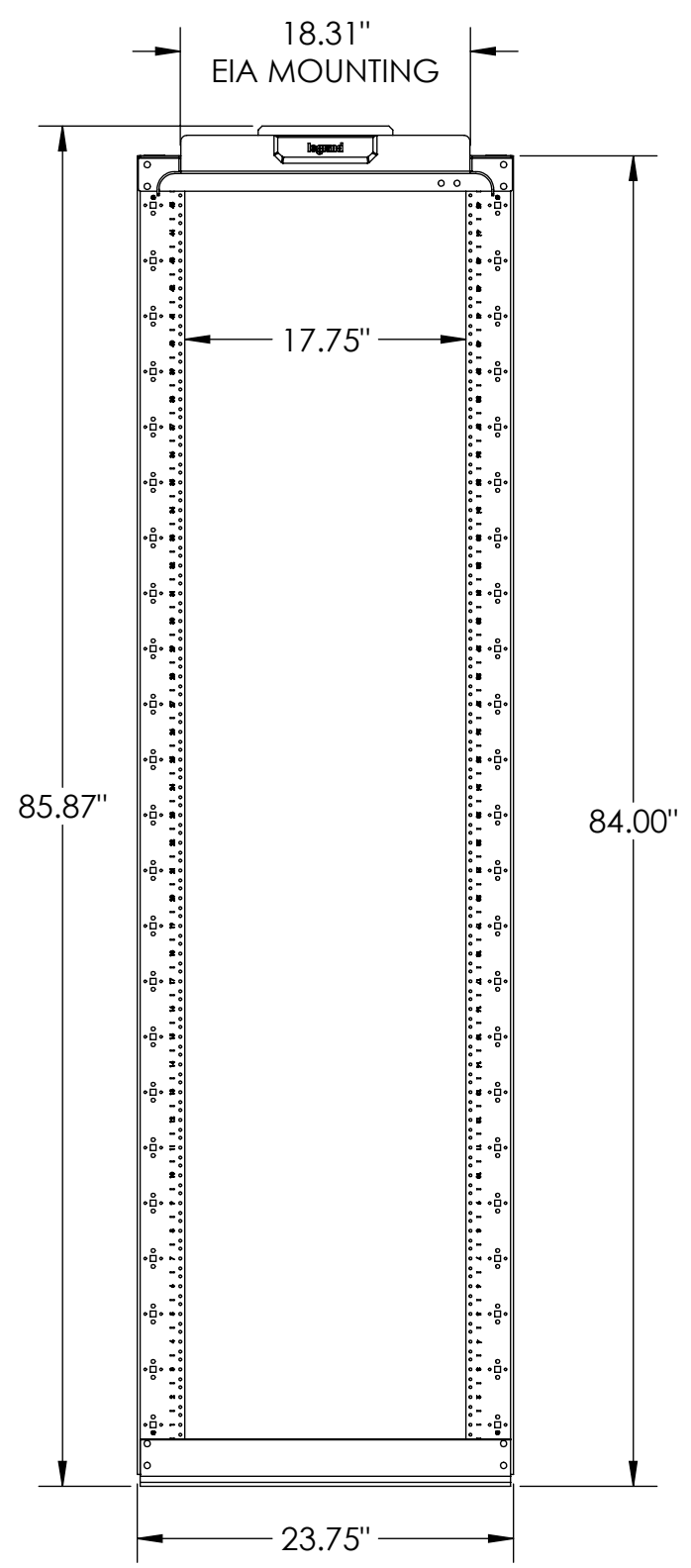


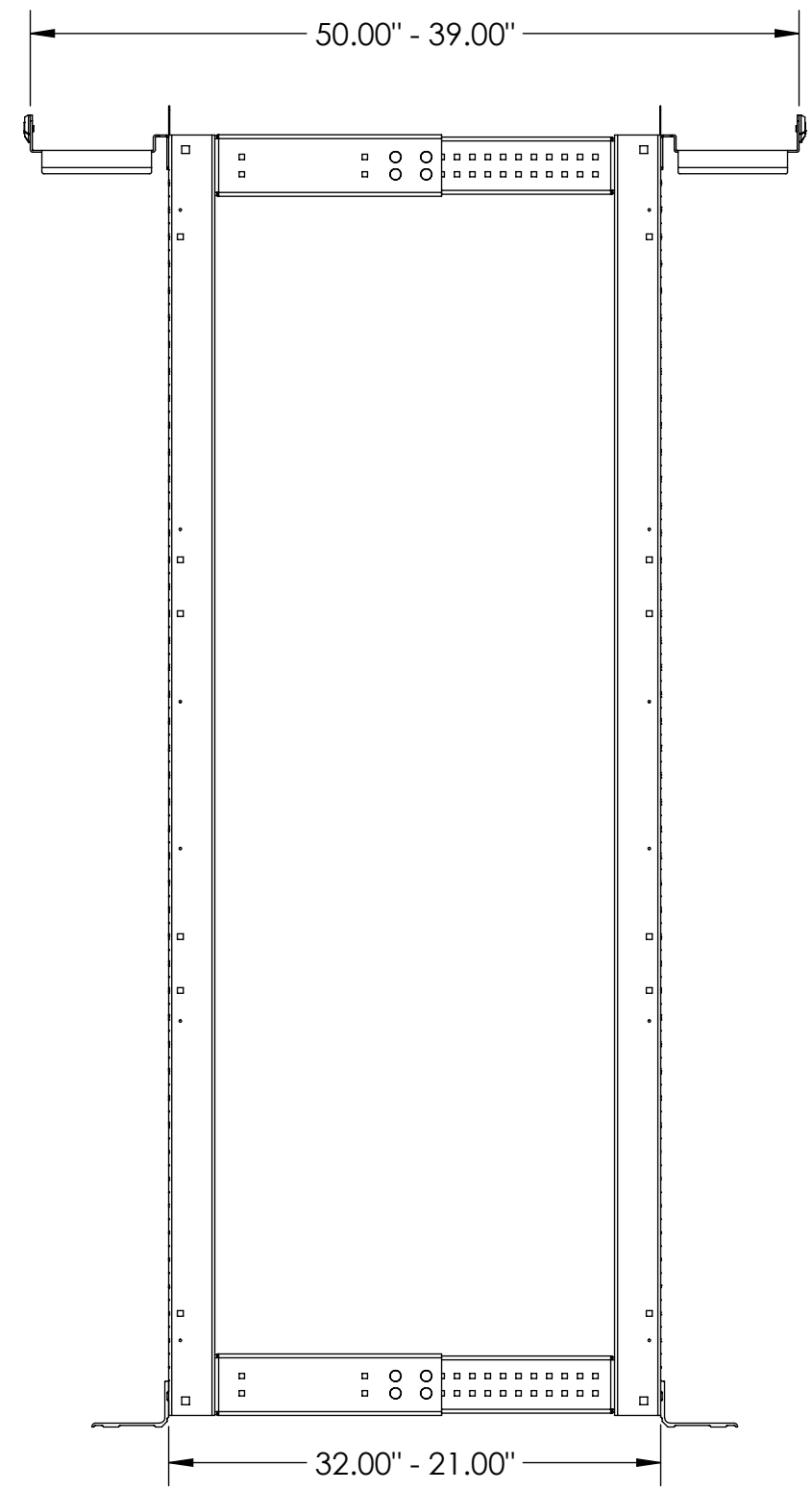
8 7 6 5 4 3 2 1

F
E
D
C
B
A

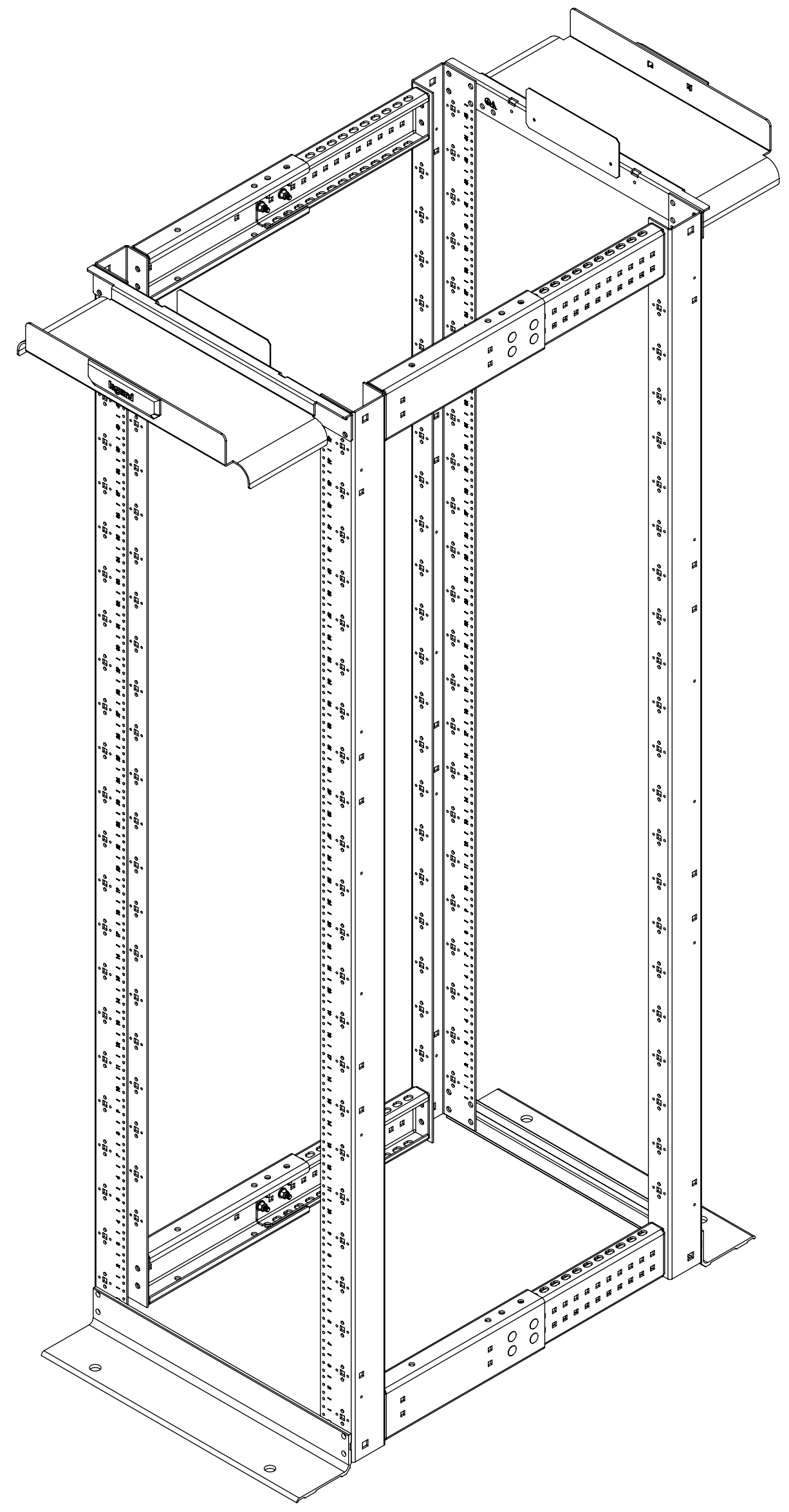
F
E
D
C
B
A



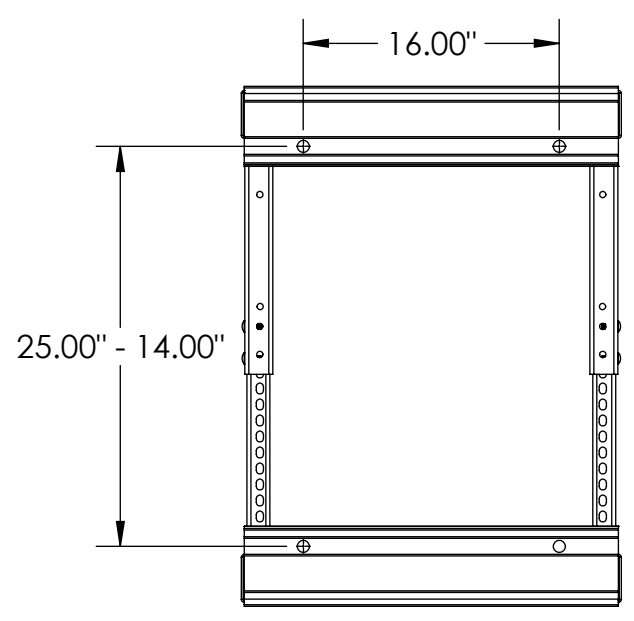
FRONT VIEW



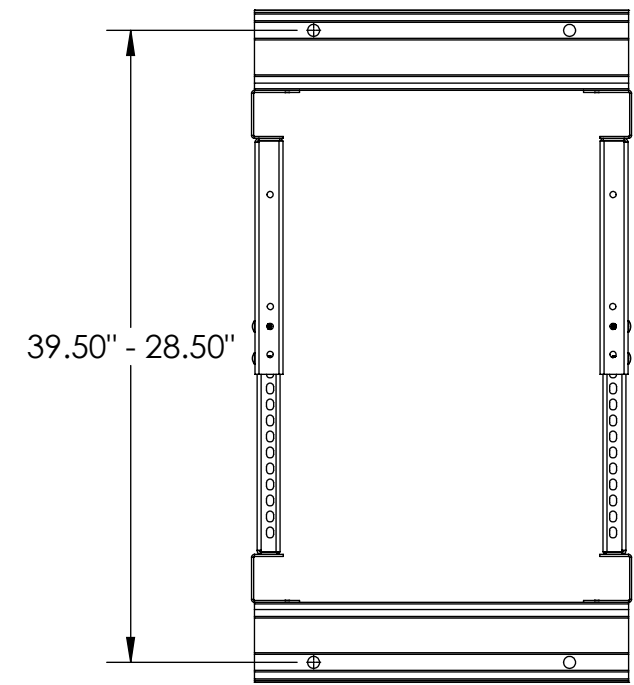
RIGHT VIEW



UL2416 LISTED AT 2000LBS



BOTTOM VIEW
(MOUNTING HOLES -
BRACKETS IN)



BOTTOM VIEW
(MOUNTING HOLES -
BRACKETS OUT)

PART NUMBER FINISH DESIGNATION	
PART NUMBER	FINISH
MM2072132DAB12-B	BLACK
MM2072132DAB12-W	WHITE

***** NOTICE *****
THIS DOCUMENT CONTAINS CONFIDENTIAL
AND/OR PROPRIETARY INFORMATION INTENDED
FOR USE ONLY BY THE INDIVIDUAL(S) PROVIDED.
NEITHER THIS DOCUMENT, NOR ANY
INFORMATION CONTAINED HEREIN, MAY BE
COPIED, DISTRIBUTED, DISCLOSED TO ANY THIRD
PARTY OR USED IN ANY MANNER OTHER THAN
FOR WHICH IT HAS BEEN PROVIDED. WITHOUT
THE PRIOR WRITTEN CONSENT OF LEGRAND, INC.,
MANUFACTURING RELEASE. PRODUCT
SPECIFICATIONS AND STANDARDS ARE SUBJECT
TO CHANGE WITHOUT NOTICE.

legrand® WWW.LEGRAND.US

TITLE
MM20 4 POST, 7FT, 21"-32" ADJUSTABLE DEPTH,
#12-24 TAPPED MOUNTING

NAME	DATE	SIZE	CAD FILE	DWG NO	REV
DWN CV	6/11/2021	C	MM2072132DAB12XC	MM2072132DAB12-X	00
CHK MM	6/14/2021	SCALE	1:8	SHEET	1 OF 1
APPR CV	10/1/2021				

8 7 6 5 4 3 2 1