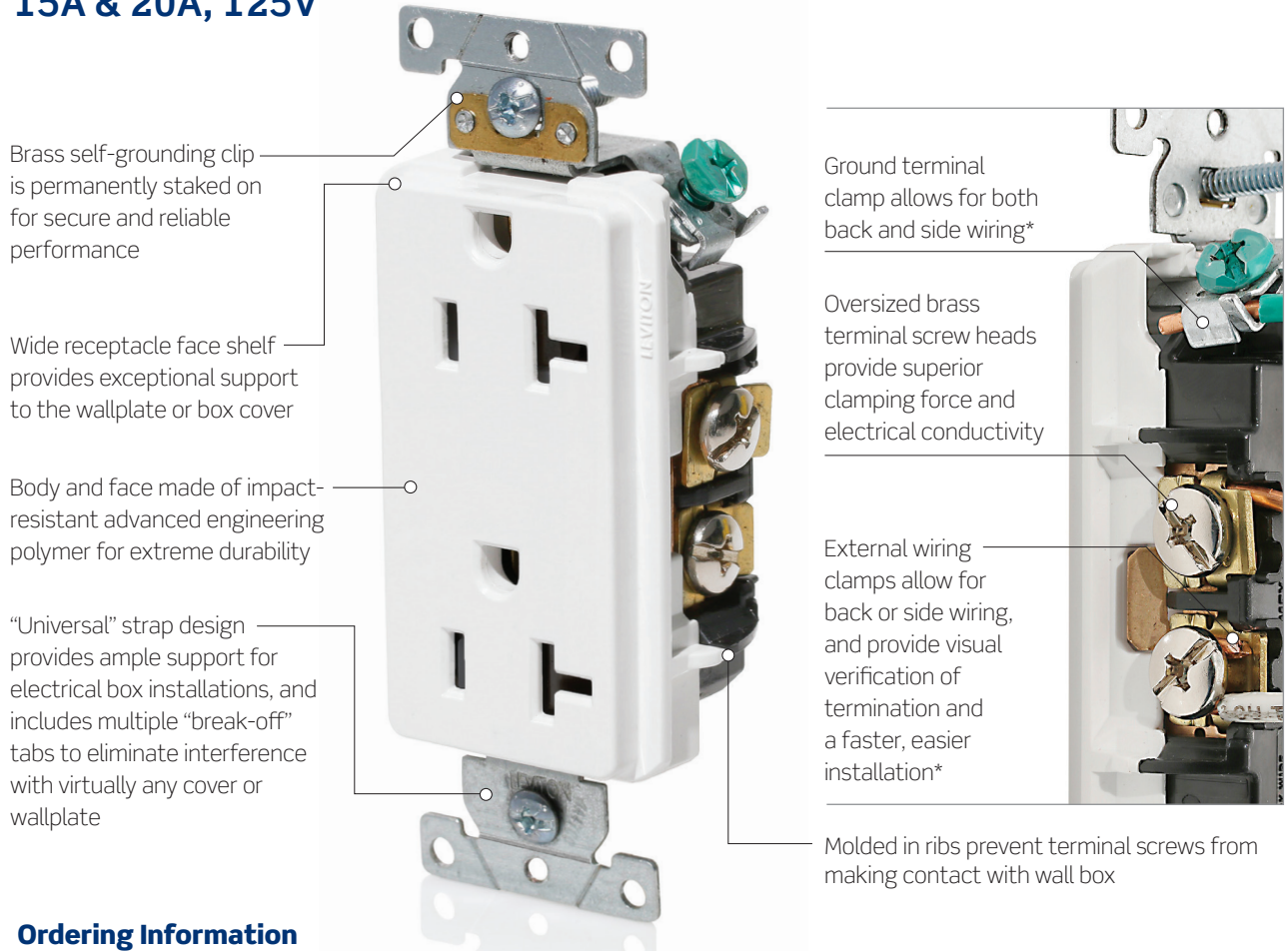


Decora Plus™ Duplex Receptacles

Heavy Duty Industrial Specification Grade

15A & 20A, 125V



Brass self-grounding clip is permanently staked on for secure and reliable performance

Wide receptacle face shelf provides exceptional support to the wallplate or box cover

Body and face made of impact-resistant advanced engineering polymer for extreme durability

“Universal” strap design provides ample support for electrical box installations, and includes multiple “break-off” tabs to eliminate interference with virtually any cover or wallplate

Ground terminal clamp allows for both back and side wiring*

Oversized brass terminal screw heads provide superior clamping force and electrical conductivity

External wiring clamps allow for back or side wiring, and provide visual verification of termination and a faster, easier installation*

Molded in ribs prevent terminal screws from making contact with wall box

Ordering Information

Ratings		15 A / 125 V				20 A / 125 V			
NEMA Config.		5-15R				5-20R			
Termination		Side Wire	Back and Side Wire		Side Wire	Back and Side Wire			
Feature		—	—	1 Marked Controlled	2 Marked Controlled	—	—	1 Marked Controlled	2 Marked Controlled
Order ID	Brown	16242	16252	16252-1P	16252-2P	16342	16352	16352-1P	16352-2P
	White	16242-W	16252-W	16252-1PW	16252-2PW	16342-W	16352-W	16352-1PW	16352-2PW
	Ivory	16242-I	16252-I	16252-1PI	16252-2PI	16342-I	16352-I	16352-1PI	16352-2PI
	Black	16242-E	16252-E	16252-1PE	16252-2PE	16342-E	16352-E	16352-1PE	16352-2PE
	Gray	—	16252-GY	16252-1PG	16252-2PG	16342-GY	16352-GY	16352-1PG	16352-2PG
	Light Almond	—	16252-T	16252-1PT	16252-2PT	16342-T	16352-T	16352-1PT	16352-2PT
	Red	—	16252-R	16252-1PR	16252-2PR	—	16352-R	16352-1PR	16352-2PR
	Blue	—	16252-BU	16252-1PB	16252-2PB	—	16352-BU	16352-1PB	16352-2PB

* Applies to 16252 / 16352 Only

Specifications

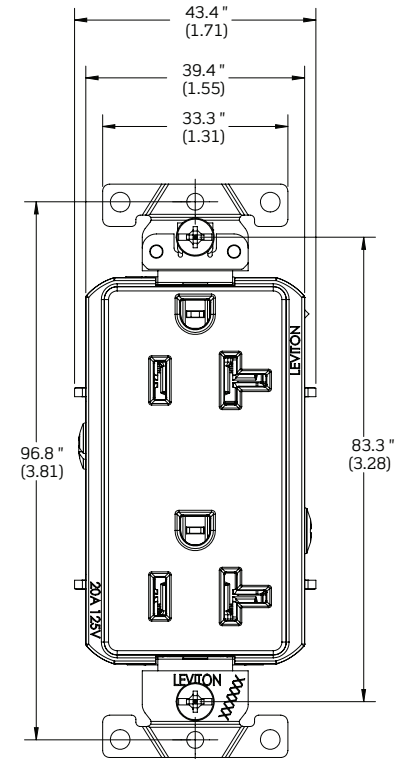
Series	16242/16252/16252-1P,-2P	16342/16352/16352-1P,-2P
AC Horsepower Rating		
At Rated Voltage	½ HP	1 HP
Electrical Specifications		
Amperage	15A	20A
NEMA	5-15R	5-20R
Voltage	125V	
Grounding	Self-Grounding*	
Pole	2	
Wire	3	
Dielectric Voltage	Withstands 3000V min	
Temperature Rise	Max 30°C temperature rise at full rated current	
Environmental Specifications		
Flammability	UL94 V0	
Operating Temperature	Maximum Continuous 75°C, minimum -40°C (w/o impact)	
Material Specifications		
Face	PBT Polyester Blend	
Body	PBT Polyester Blend	
Strap	Steel (Galvanized G60)	
Ground Contact	0.030" Brass	
Ground Screw	#8 Hex Head, Triple-Drive Brass	
Ground Clamp	Steel**	
Mounting Screw	Triple-Drive Plated Steel	
Line Contacts	0.030" Phosphor Bronze	
Terminal Clamp	Brass**	
Terminal Screws	#8 Triple-Drive Brass	
Ground Clip	Brass	
Shutter Mechanism (WTD Series)	Acetal	
Mechanical Specifications		
Product ID	Ratings are permanent part of devices	
Terminal ID	Brass - Hot, Silver - Neutral, Green - Ground	
Terminal Accommodation	#14 - #10 AWG	
Wire Types	Stranded or Solid	
Termination	Back and Side Wire**	
Standards & Certifications		
NEMA	WD 1 & WD 6	
ANSI	C-73	
Certification/Listing	cULus, NOM-ANCE	
Applicable Standards	UL498, Fed Spec W-C-596, CSA C22.2 No.42	
RoHS	RoHS Compliant	
Warranty		
Product Warranty	10 Years	

* Self-grounding when installed in a properly grounded metallic box

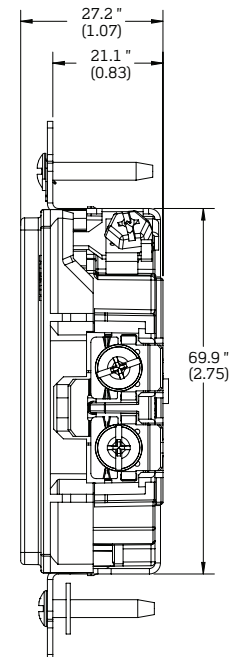
** Applies to 16252/16352 Only

Dimensions

Front View



Side View



Visit our Website at:
www.leviton.com/commercial
 email: commercial@leviton.com

Q-1129

022318

Leviton Manufacturing Co., Inc.

201 N Service Rd, Melville, NY 11747
 Telephone: 1-800-323-8920 • FAX: 1-800-832-9538
 Tech Line (8:30AM-7:30PM E.S.T. Monday-Friday): 1-800-824-3005

© 2018 Leviton Manufacturing Co., Inc. All rights reserved.

